



US00D461027S

(12) **United States Design Patent**  
**Gardner**

(10) **Patent No.:** **US D461,027 S**

(45) **Date of Patent:** **\*\* Jul. 30, 2002**

(54) **PET FECES COLLECTOR**

(76) Inventor: **Steven E. Gardner**, 9596 W. Nichols Pl., Littleton, CO (US) 80128

(\*\*) Term: **14 Years**

(21) Appl. No.: **29/112,734**

(22) Filed: **Oct. 22, 1999**

(51) **LOC (7) Cl.** ..... **30-99**

(52) **U.S. Cl.** ..... **D30/162**

(58) **Field of Search** ..... D30/162; D7/686, D7/678; D8/10, 13; 119/858; 294/1.3, 1.4, 55, 99.2, 119; 248/101

(56) **References Cited**

**U.S. PATENT DOCUMENTS**

655,245 A *	8/1900	Kimberlin	D30/162
3,659,891 A	5/1972	Pettenon et al.	
D230,868 S *	3/1974	Dorzan	D30/162
3,804,448 A *	4/1974	Schmieler	294/1.4
3,809,421 A *	5/1974	James	294/1.3
3,810,670 A	5/1974	Turi	
3,830,423 A *	8/1974	Prescott	294/1.3
D234,304 S *	2/1975	Schmieler	D30/162
3,864,894 A	2/1975	Sheetz et al.	
3,868,135 A *	2/1975	Magliaro	294/1.5
3,872,831 A	3/1975	Cassidy	
3,879,079 A *	4/1975	Nicholas	294/1.4
3,936,087 A *	2/1976	Alexander	294/1.3
3,937,509 A	2/1976	Hufnagel	
3,977,715 A *	8/1976	Casci	294/1.4
4,010,970 A	3/1977	Campbell	
4,021,994 A	5/1977	Mainprice	
4,138,153 A *	2/1979	Brown	294/1.3
4,236,741 A	12/1980	Emme	
4,257,636 A	3/1981	Mainprice	
4,272,116 A *	6/1981	Tufte, Jr.	294/1.3
4,279,437 A	7/1981	Goldbarg	
D262,686 S *	1/1982	Anderson	D30/162
D263,512 S	3/1982	Kawada	
4,368,907 A	1/1983	Ross	
D269,129 S *	5/1983	Manfre	D30/162
4,447,082 A	5/1984	Lindholm	
D279,512 S *	7/1985	Schaffer	D30/162

D290,416 S \* 6/1987 Breuer ..... D30/162  
4,705,310 A 11/1987 Scripter  
4,738,478 A \* 4/1988 Bean, Jr. .... 294/55

(List continued on next page.)

*Primary Examiner*—Cathy Anne MacCormac  
(74) *Attorney, Agent, or Firm*—Allen, Dyer, Doppelt, Milbrath & Gilchrist, P.A.

(57) **CLAIM**

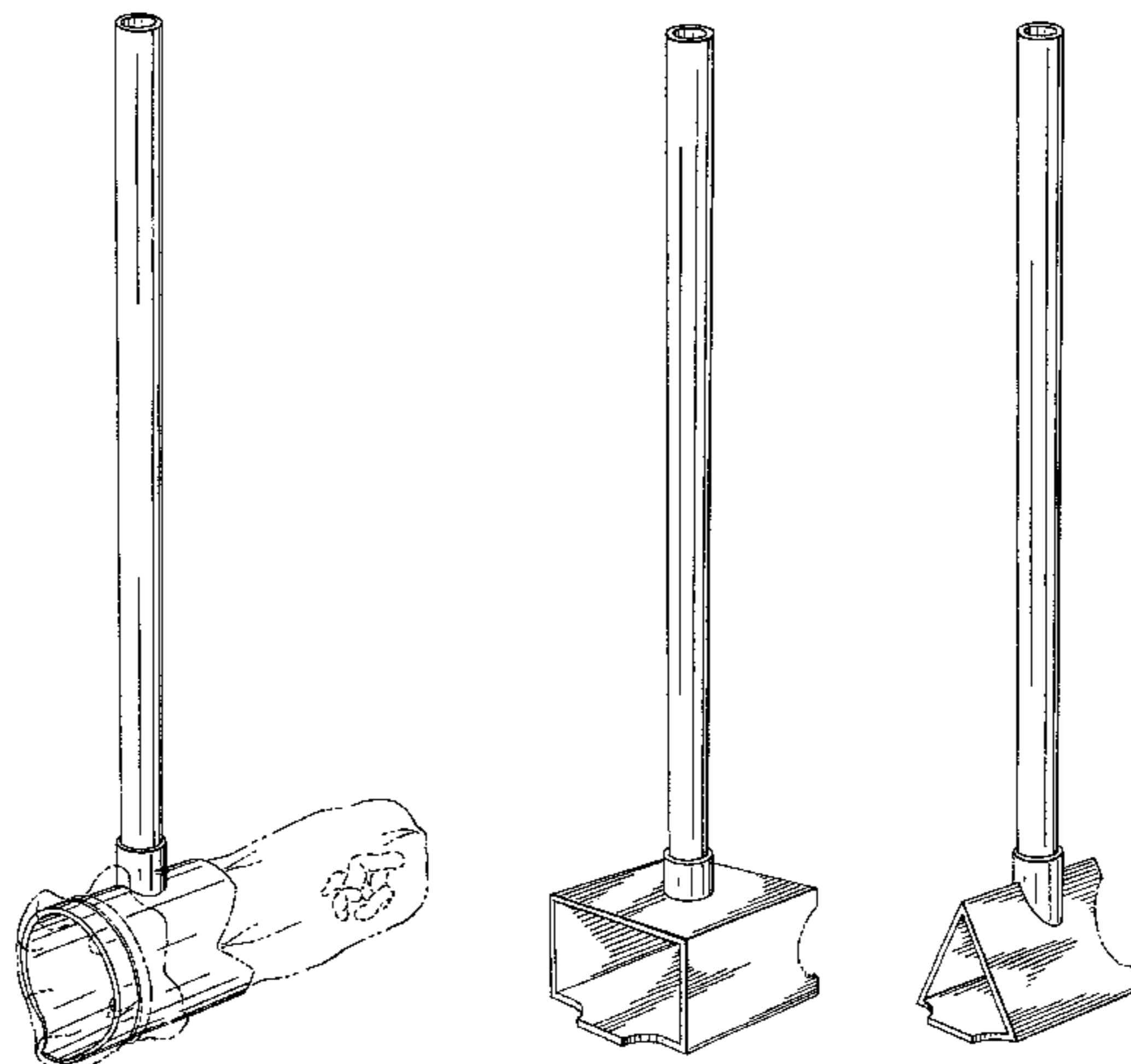
The ornamental design for a pet feces collector, as shown and described.

**DESCRIPTION**

FIG. 1 is a perspective view;  
FIG. 2 is a front elevation;  
FIG. 3 is a side elevation view;  
FIG. 4 is an opposite side elevation view;  
FIG. 5 is a top view;  
FIG. 6 is a bottom elevation view;  
FIG. 7 is another perspective view showing the collector in use;  
FIG. 8 is a perspective view of the second embodiment;  
FIG. 9 is a front elevation view of FIG. 8;  
FIG. 10 is a bottom plan view of FIG. 8;  
FIG. 11 is a top plan view of FIG. 8;  
FIG. 12 is a perspective view of a third embodiment;  
FIG. 13 is a front elevation view of FIG. 12;  
FIG. 14 is a bottom plan view of FIG. 12;  
FIG. 15 is a top plan view of FIG. 12;  
FIG. 16 is perspective view of a fourth embodiment;  
FIG. 17 is a front elevation view of FIG. 16;  
FIG. 18 is a bottom plan view of FIG. 16;  
FIG. 19 is a top plan view of FIG. 16;  
FIG. 20 is a perspective view of a fifth embodiment;  
FIG. 21 is a front elevation view of FIG. 20;  
FIG. 22 is a bottom plan view of FIG. 20; and,  
FIG. 23 is a top plan view of FIG. 20.

The broken lines in FIGS. 1, 3, 4, 8, 10, 11, 12, 16, 20 and 23 define the boundaries of the claimed design but form no part thereof.

**1 Claim, 7 Drawing Sheets**



# US D461,027 S

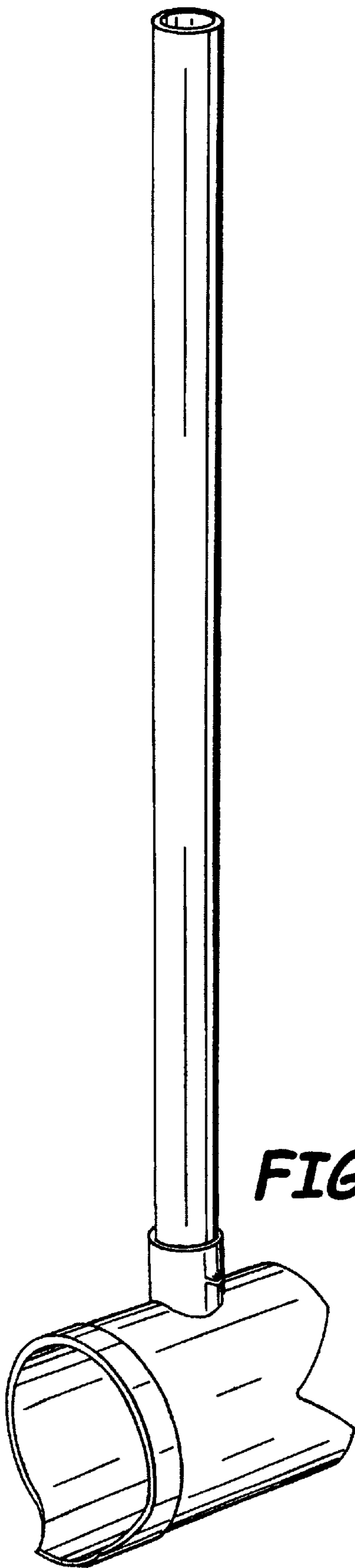
Page 2

---

## U.S. PATENT DOCUMENTS

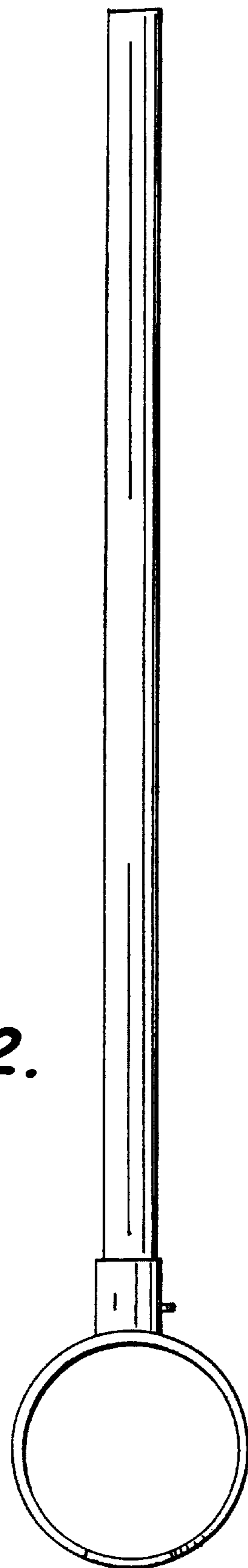
D298,369 S	*	11/1988	Shun et al. ....	D30/162	5,634,678 A	6/1997	Bailey	
4,958,871 A		9/1990	Hemans		5,667,264 A	*	9/1997	Tanahara ..... 294/1.4
4,962,956 A		10/1990	Scripter		5,683,129 A		11/1997	Jensen
D312,898 S		12/1990	Roberts		5,718,469 A	*	2/1998	Ockerman ..... 294/1.4
D316,315 S	*	4/1991	Elrod .....	D30/162	5,778,826 A	*	7/1998	Dillon et al. .... D30/162
5,131,704 A		7/1992	Li		5,799,993 A	*	9/1998	Lafferty ..... 294/1.4
D333,198 S	*	2/1993	Mann .....	D30/162	5,868,447 A	*	2/1999	Clark et al. .... 294/1.4
D333,888 S	*	3/1993	Visser .....	D30/162	D406,415 S	*	3/1999	Martin ..... D30/162
D334,638 S	*	4/1993	Blackman .....	D30/162	D409,804 S	*	5/1999	Nunes ..... D30/162
5,360,247 A	*	11/1994	Vachter .....	294/1.4	5,899,510 A	*	5/1999	Hayes et al. .... 294/1.4
5,540,470 A		7/1996	Lu		5,921,596 A	*	7/1999	Sheriff et al. .... 294/1.4
D374,110 S		9/1996	Hull et al.		6,012,748 A	*	1/2000	Franks ..... 294/1.4
D377,247 S	*	1/1997	Albert .....	D30/162	6,032,995 A	*	3/2000	Barbaro ..... 294/1.4

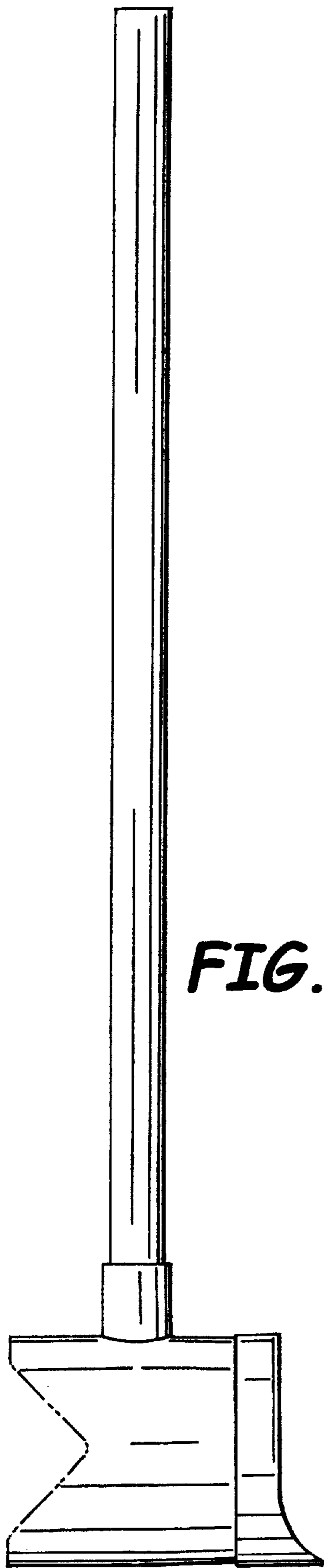
\* cited by examiner



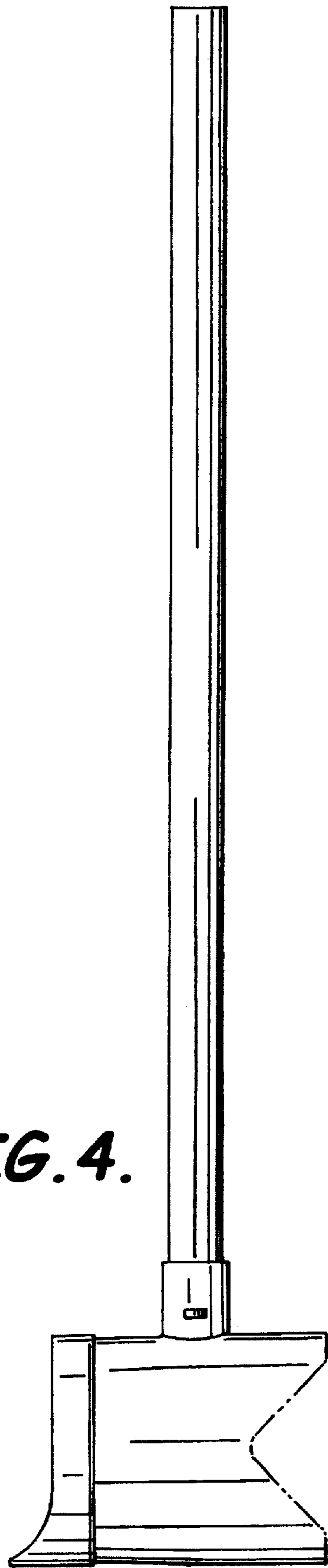
**FIG. 1.**

**FIG. 2.**

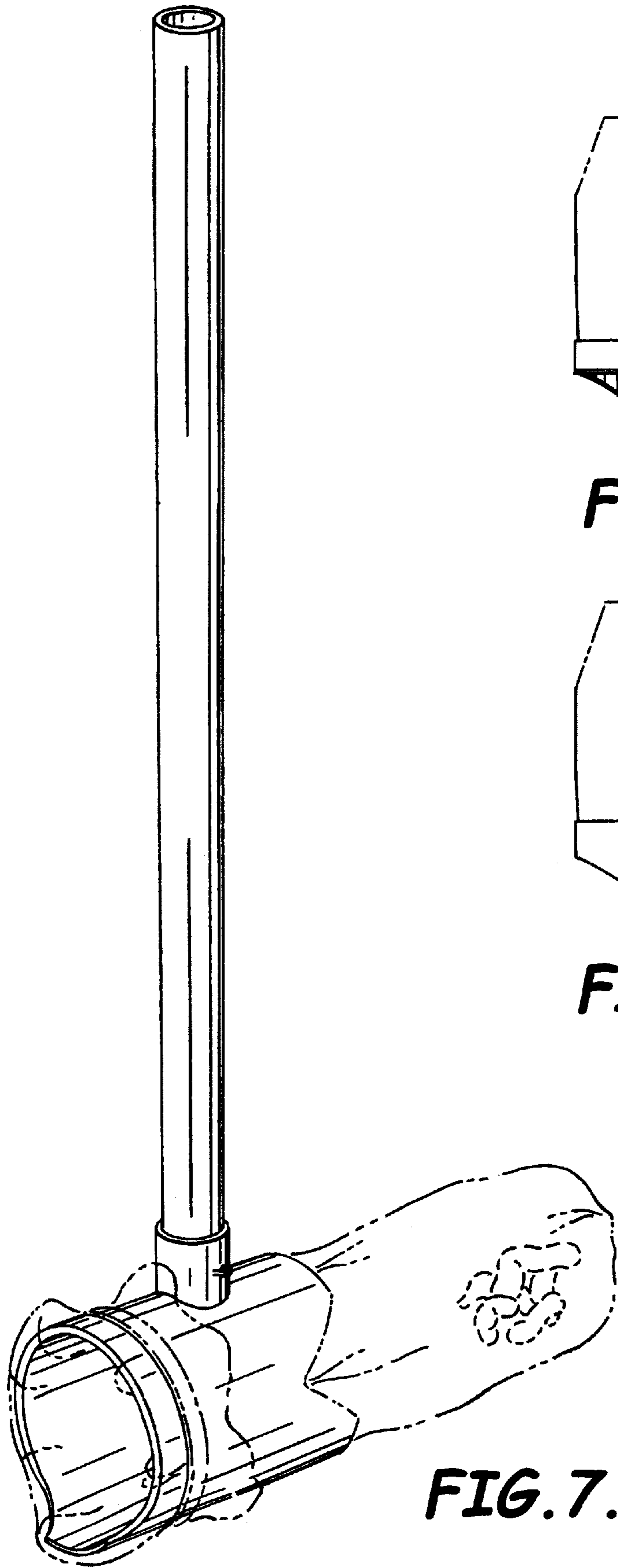




**FIG. 3.**



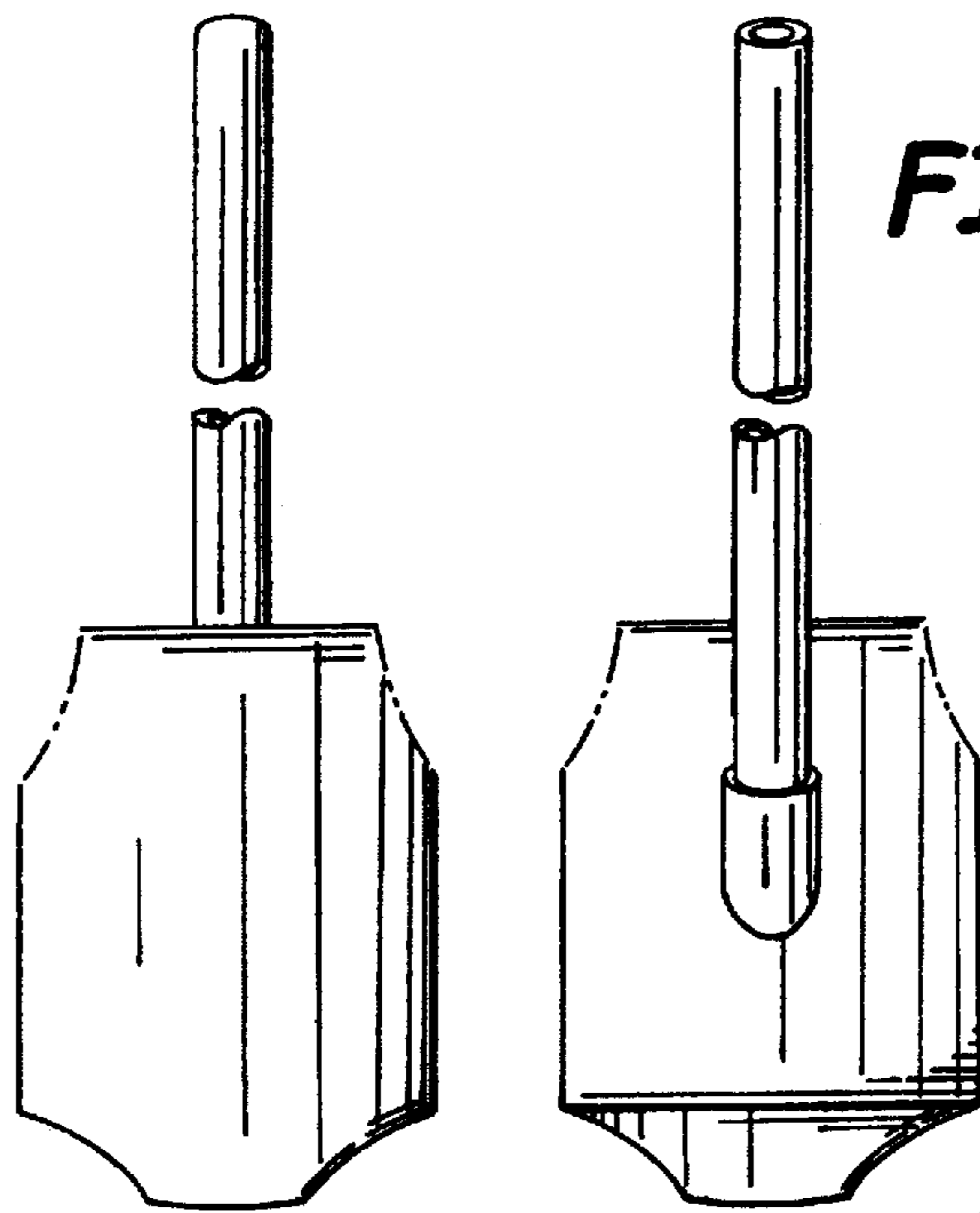
**FIG. 4.**



**FIG. 5.**

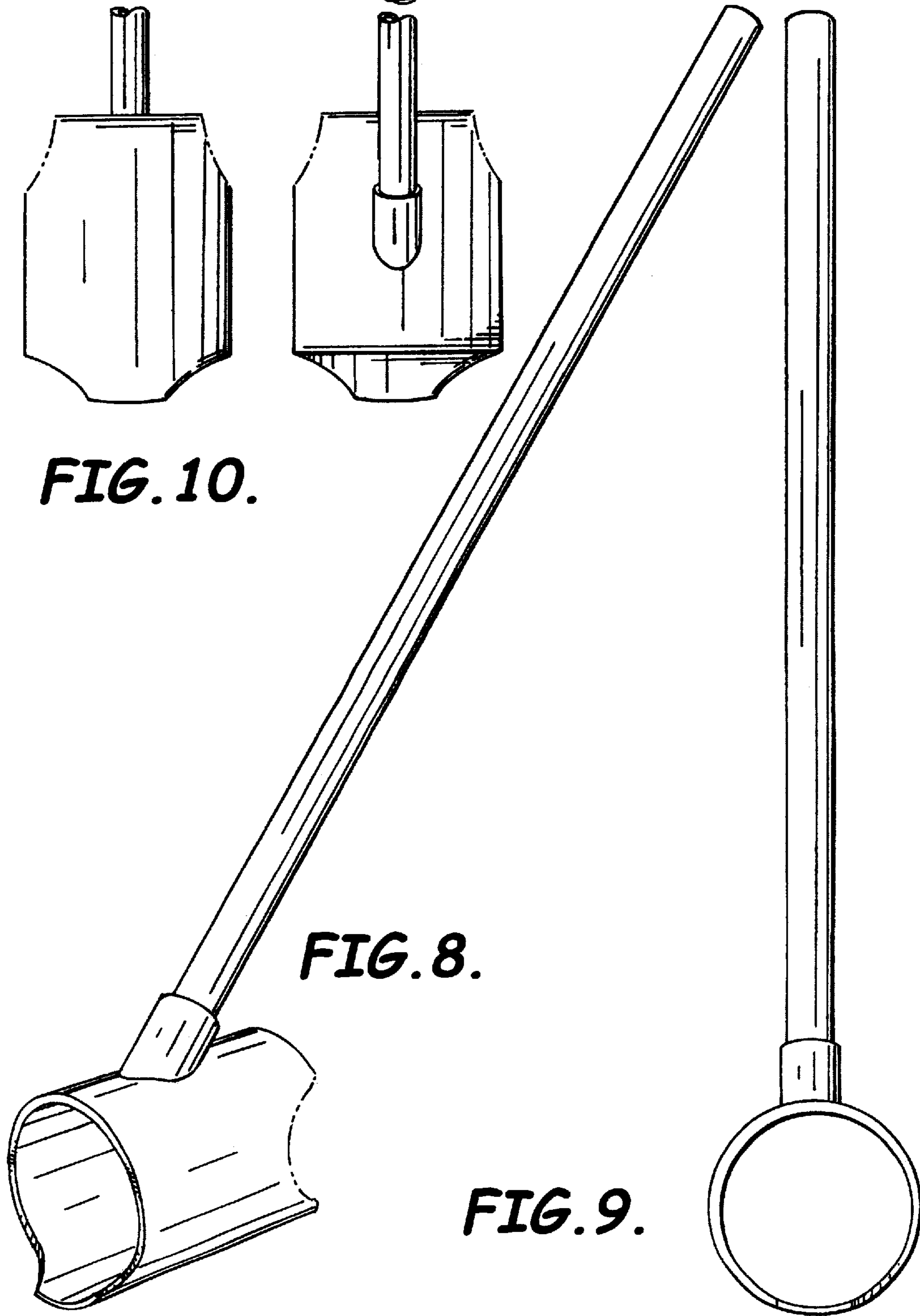
**FIG. 6.**

**FIG. 7.**



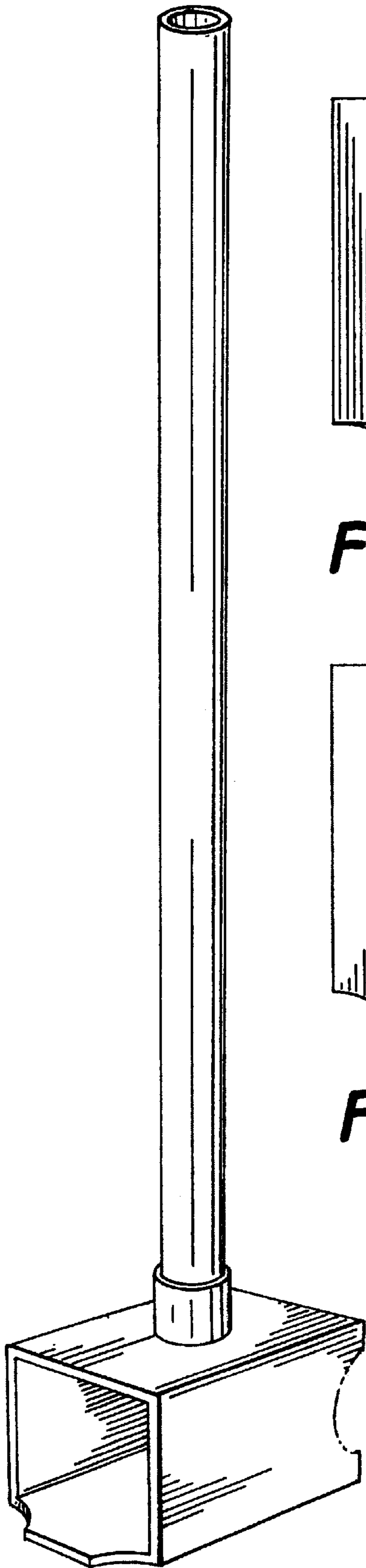
**FIG. 11.**

**FIG. 10.**

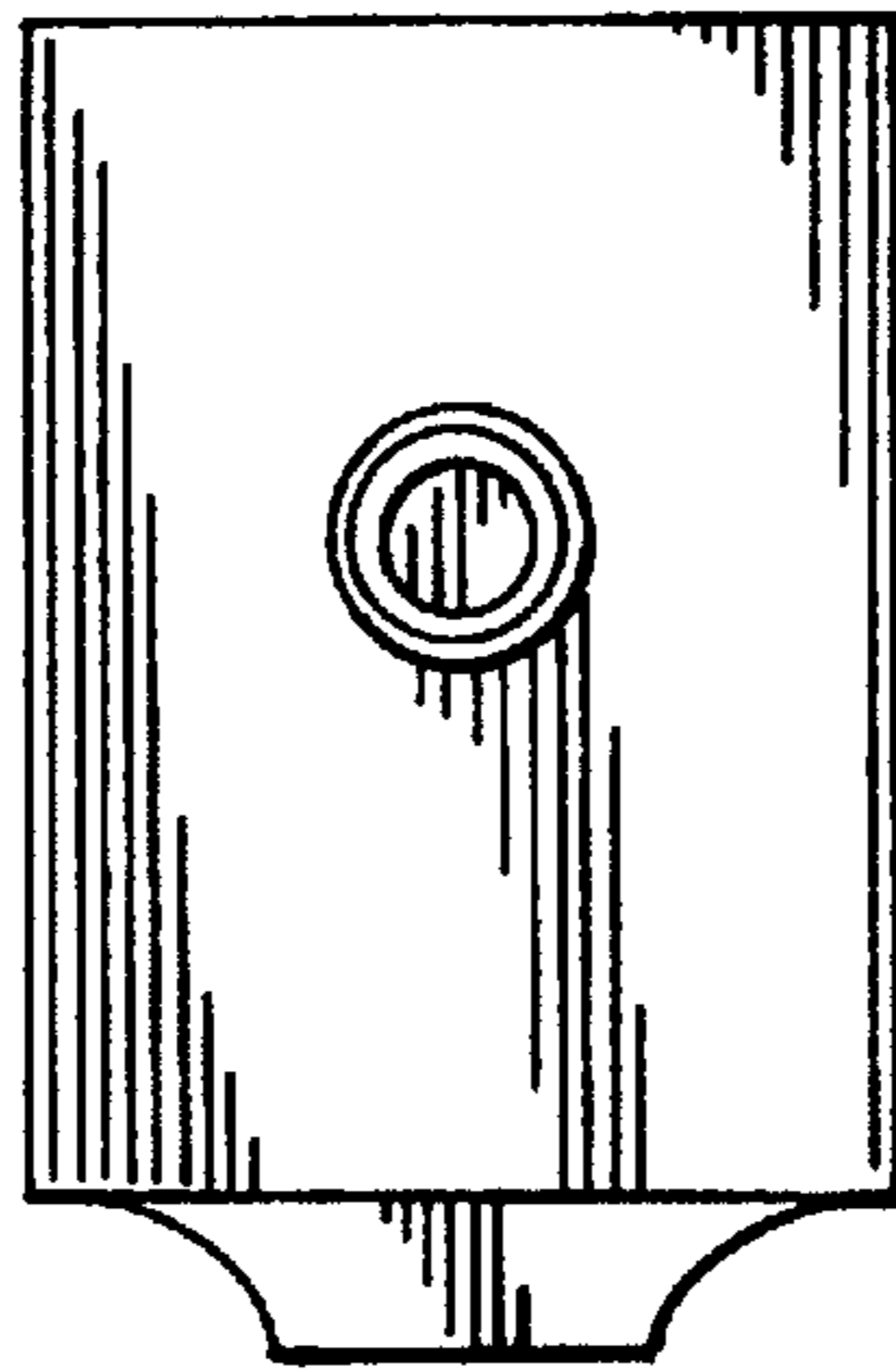


**FIG. 8.**

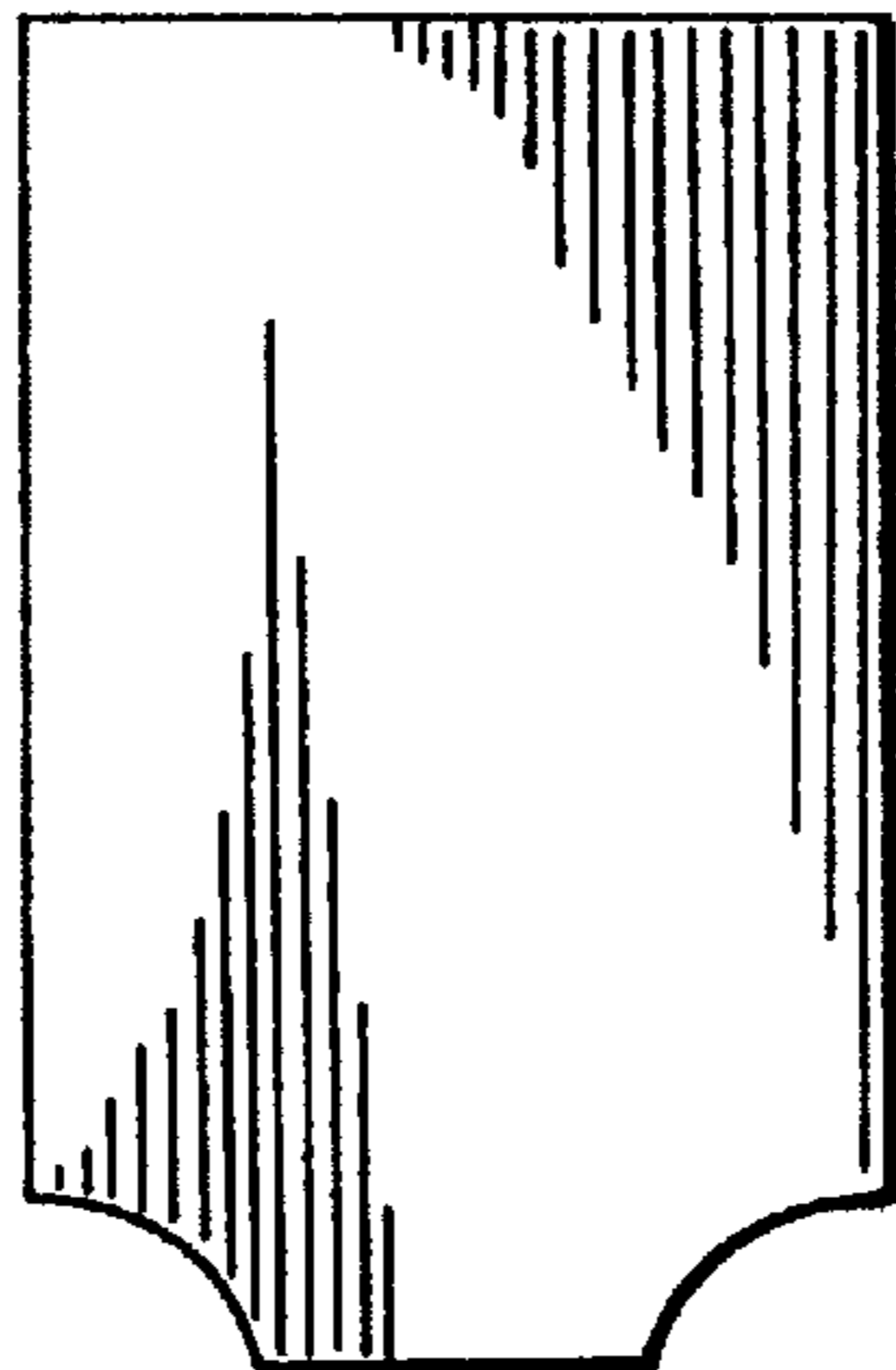
**FIG. 9.**



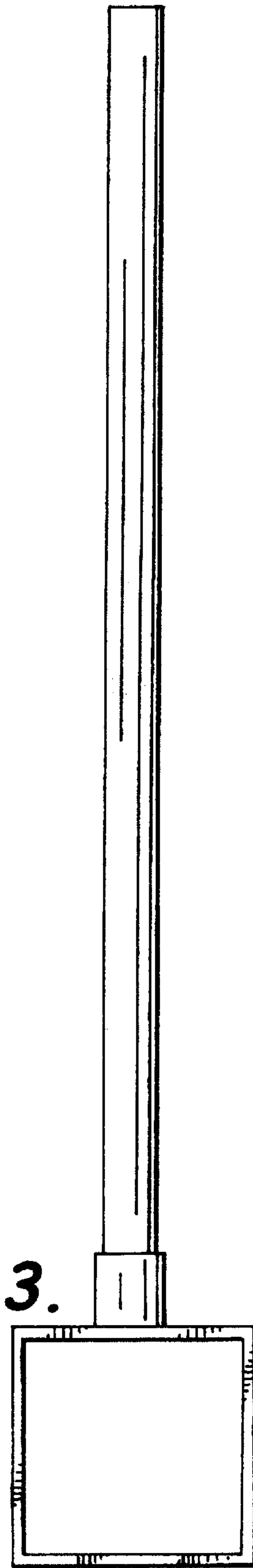
**FIG. 12.**



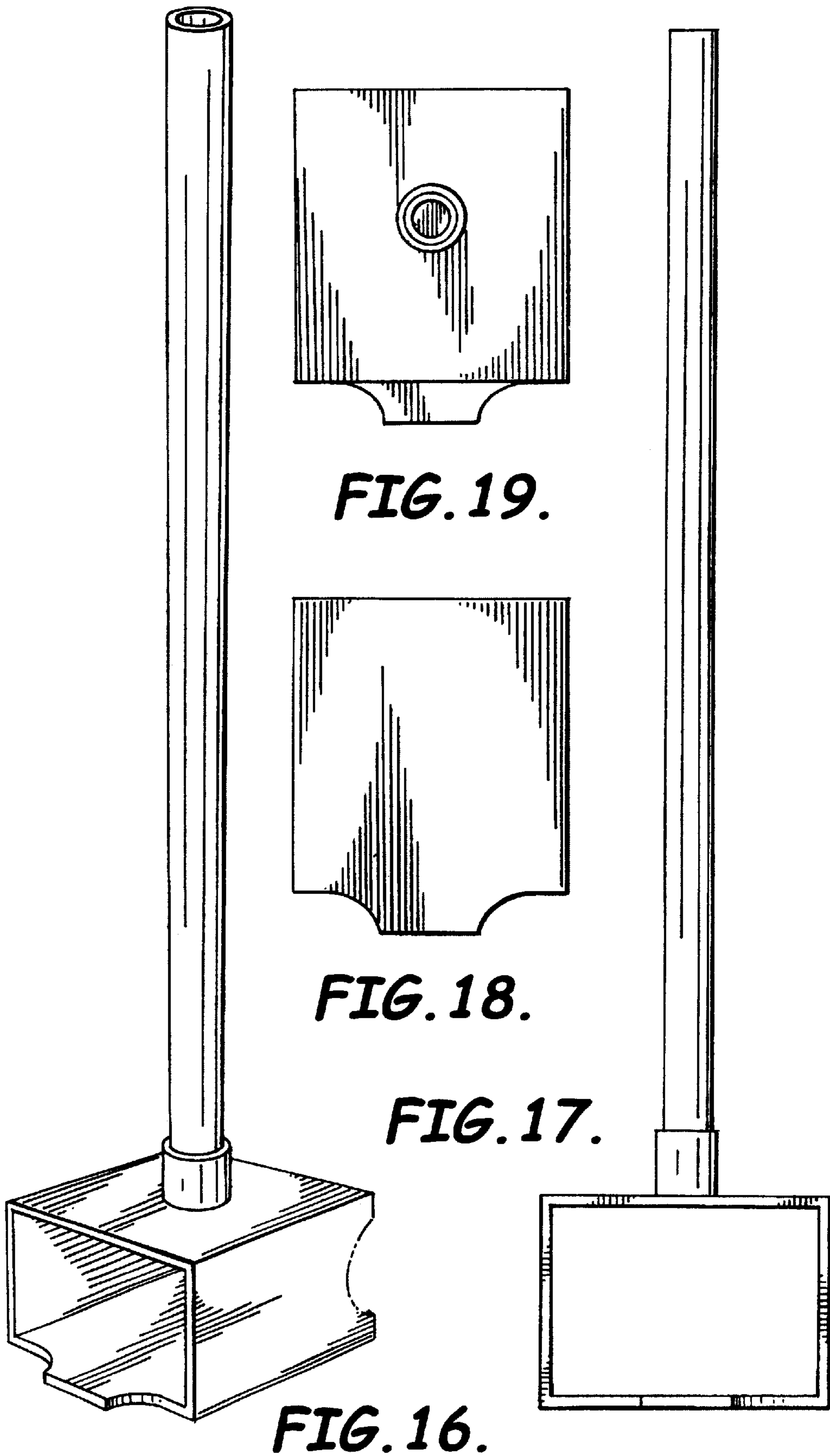
**FIG. 15.**



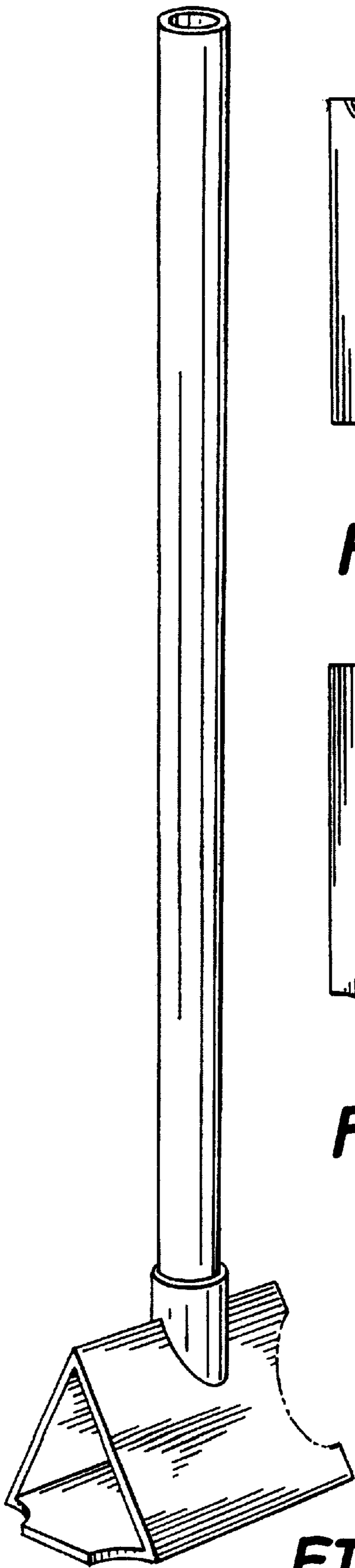
**FIG. 14.**



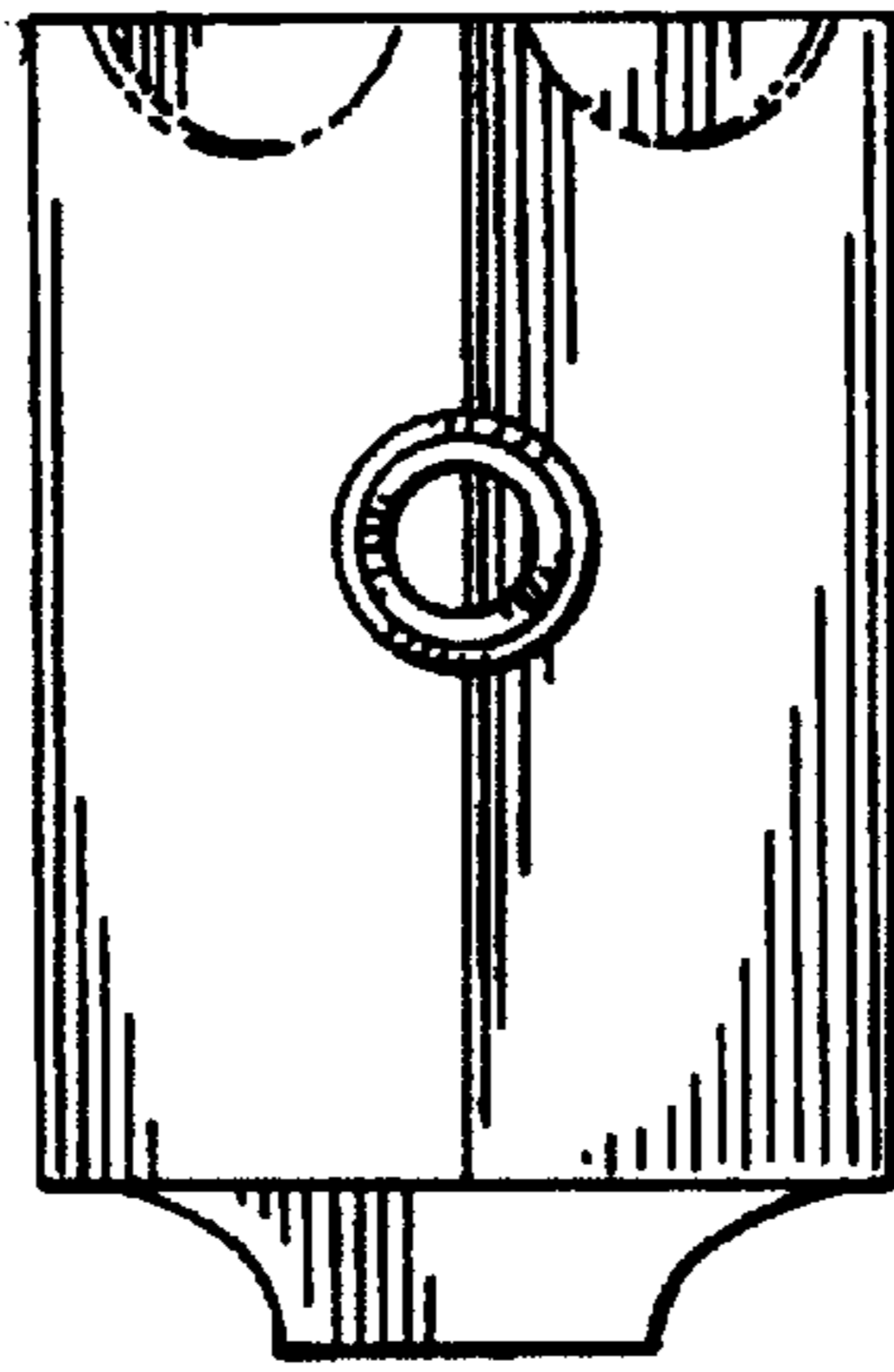
**FIG. 13.**



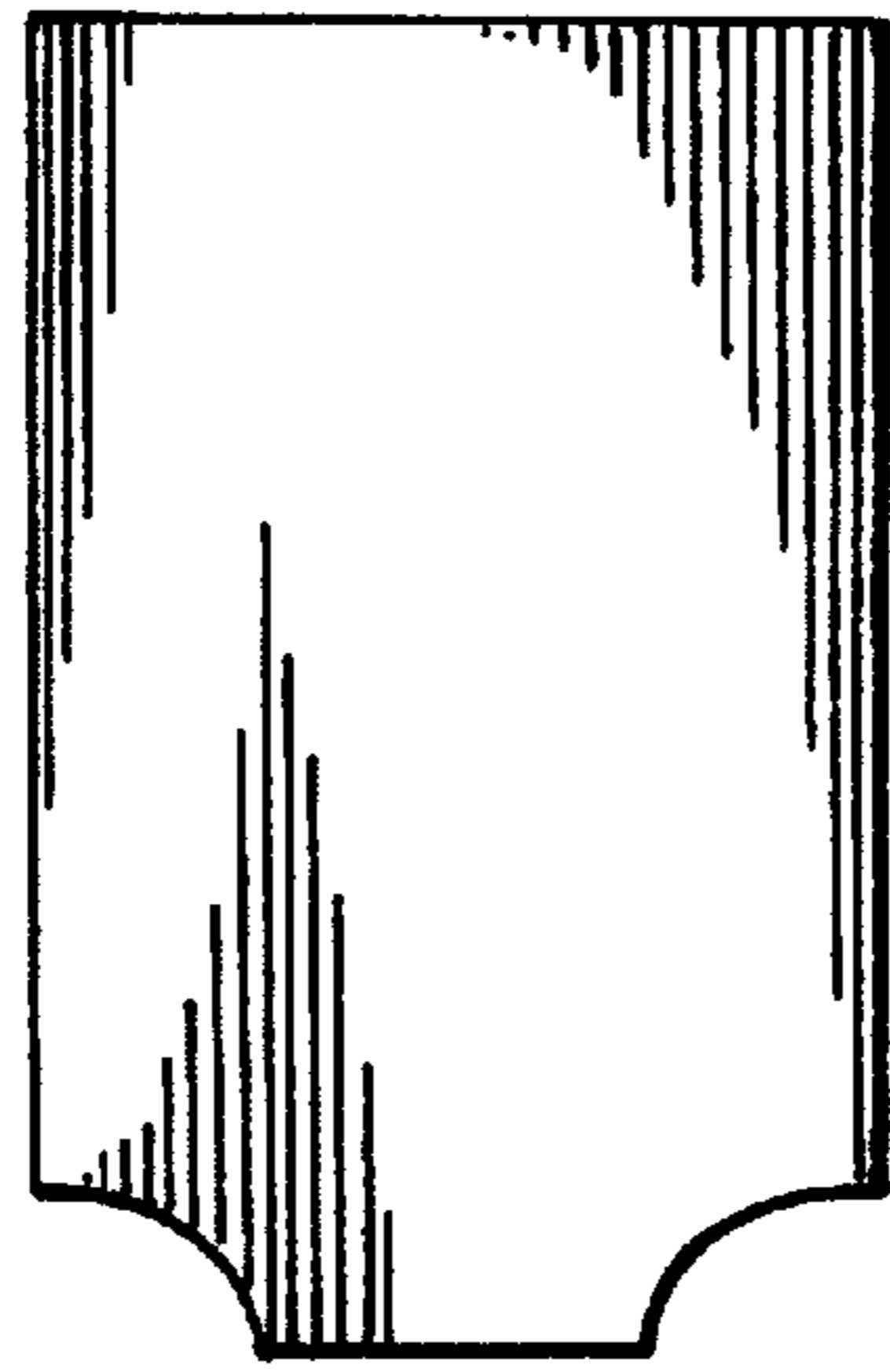




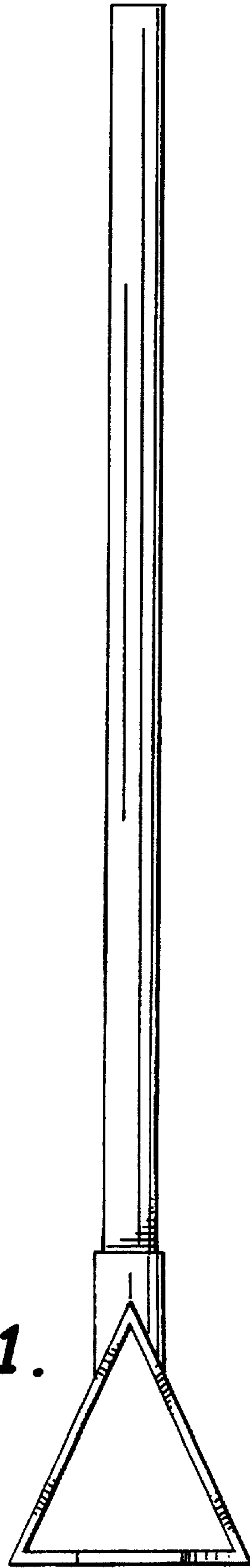
**FIG. 20.**



**FIG. 22.**



**FIG. 23.**



**FIG. 21.**