



US00D461024S

(12) **United States Design Patent**
Newdoll

(10) **Patent No.:** **US D461,024 S**

(45) **Date of Patent:** **** Jul. 30, 2002**

(54) **ARCHED DOGHOUSE**

(75) **Inventor:** **Ronald Marvin Newdoll**, Woodside, CA (US)

(73) **Assignee:** **Ronald M. Newdoll**, Woodside, CA (US)

(**) **Term:** **14 Years**

(21) **Appl. No.:** **29/143,334**

(22) **Filed:** **Jun. 11, 2001**

(51) **LOC (7) Cl.** **30-02**

(52) **U.S. Cl.** **D30/108**

(58) **Field of Search** D30/108-119, D30/160-161; 119/28.5, 436, 445, 452-453, 455-456, 464, 467-468, 474-475, 497-498, 482, 484-485, 489, 500, 503, 537, 165-170

(56) **References Cited**

U.S. PATENT DOCUMENTS

2,538,778	A	*	1/1951	Halpin	119/497
2,790,414	A	*	4/1957	Rossow	119/497
D194,783	S	*	3/1963	Cliffgard	D30/112
3,165,110	A	*	1/1965	Brooks	D30/118
D214,737	S	*	7/1969	Robert	D30/160
3,861,356	A	*	1/1975	Kulka	119/482
D245,190	S	*	7/1977	Higo	D30/108
4,913,091	A	*	4/1990	O'Connor	119/170
D321,068	S	*	10/1991	Shantz et al.	D30/108
D333,709	S	*	3/1993	Warren	D30/109
D335,589	S	*	5/1993	Benedict	D30/108

D336,541	S	*	6/1993	Presser	D30/108
D342,115	S	*	12/1993	Petersheim et al.	D30/108
5,277,148	A	*	1/1994	Rosignol et al.	119/453
5,335,618	A	*	8/1994	Zarola	119/498
D387,508	S	*	12/1997	Engers	D30/109
D407,266	S	*	3/1999	Silva	D30/108
5,901,664	A	*	5/1999	McKernan	119/453
D431,884	S	*	10/2000	Moreno	D30/108
6,196,161	B1	*	3/2001	Thurber	119/496

* cited by examiner

Primary Examiner—Cathy Anne MacCormac

(74) *Attorney, Agent, or Firm*—Michael A. Glenn

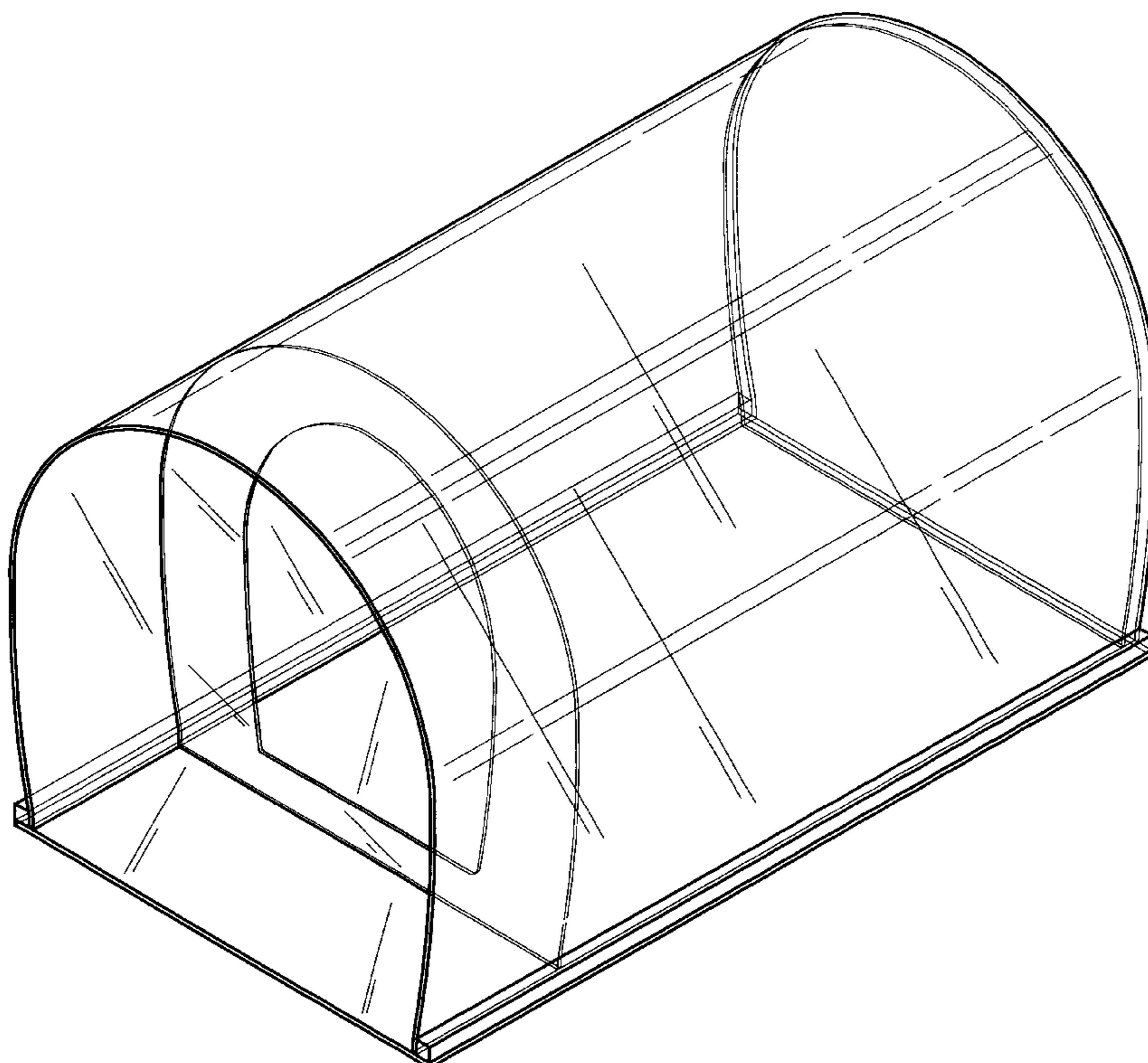
(57) **CLAIM**

The ornamental design for an arched doghouse, as shown and described.

DESCRIPTION

FIG. 1 is a perspective view of an ornamental design for an arched doghouse according to the invention;
 FIG. 2 is a front view of an ornamental design for an arched doghouse according to the invention;
 FIG. 3 is a rear view of an ornamental design for an arched doghouse according to the invention;
 FIG. 4 is a left side view of an ornamental design for an arched doghouse according to the invention;
 FIG. 5 is a top view of an ornamental design for an arched doghouse according to the invention; and,
 FIG. 6 is a bottom view of an ornamental design for an arched doghouse according to the invention.

1 Claim, 6 Drawing Sheets



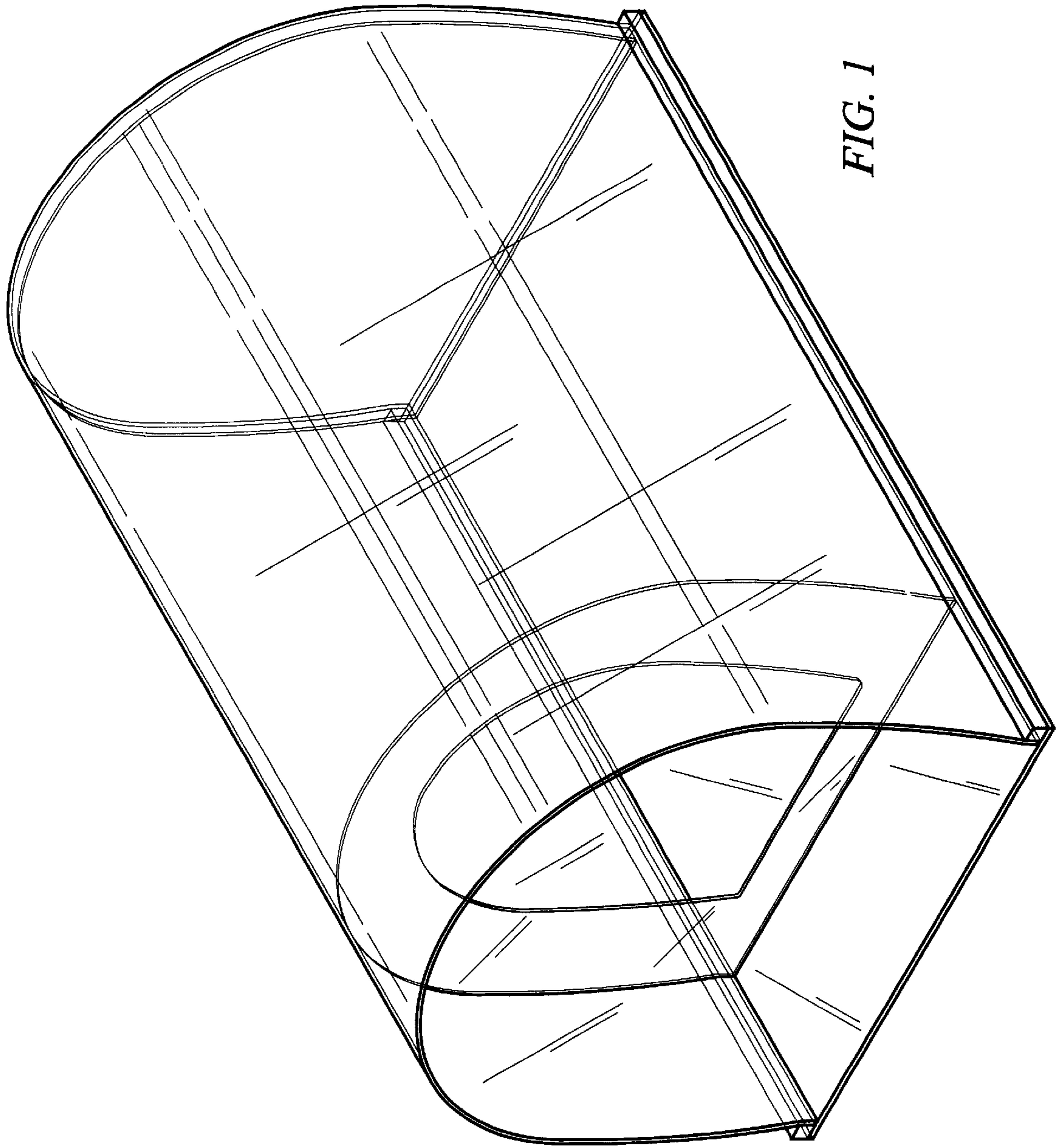


FIG. 1

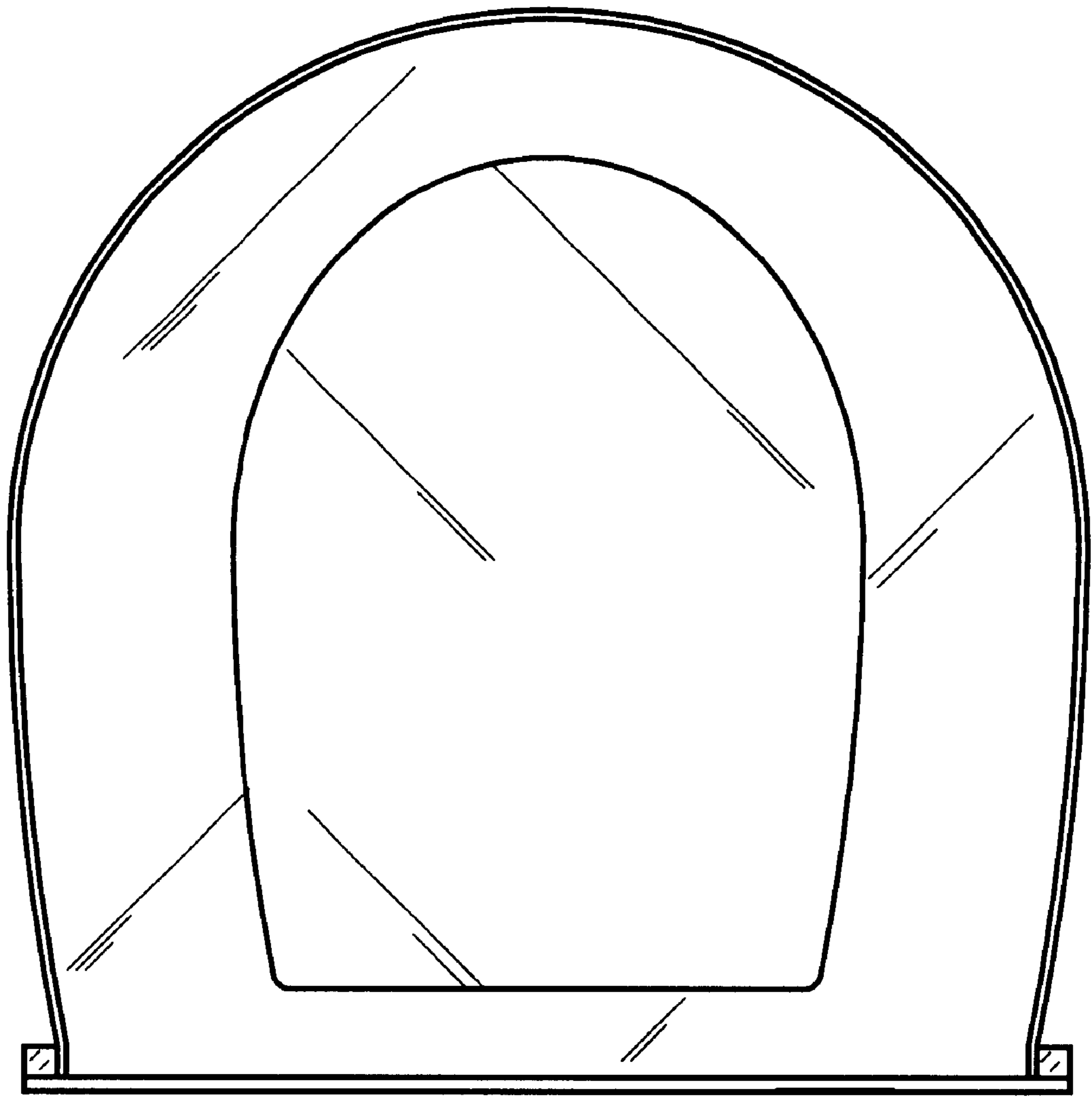


FIG. 2

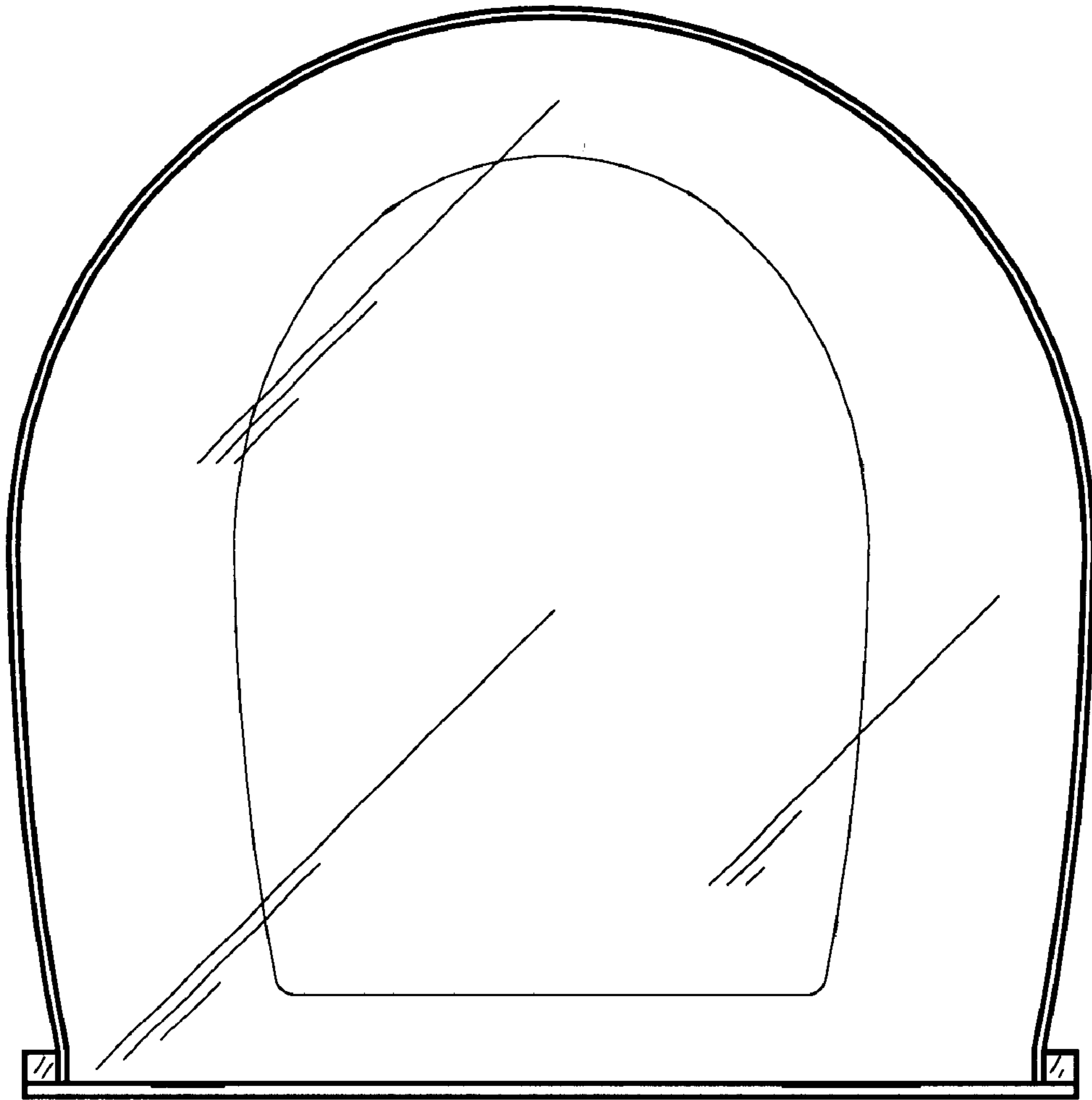


FIG. 3

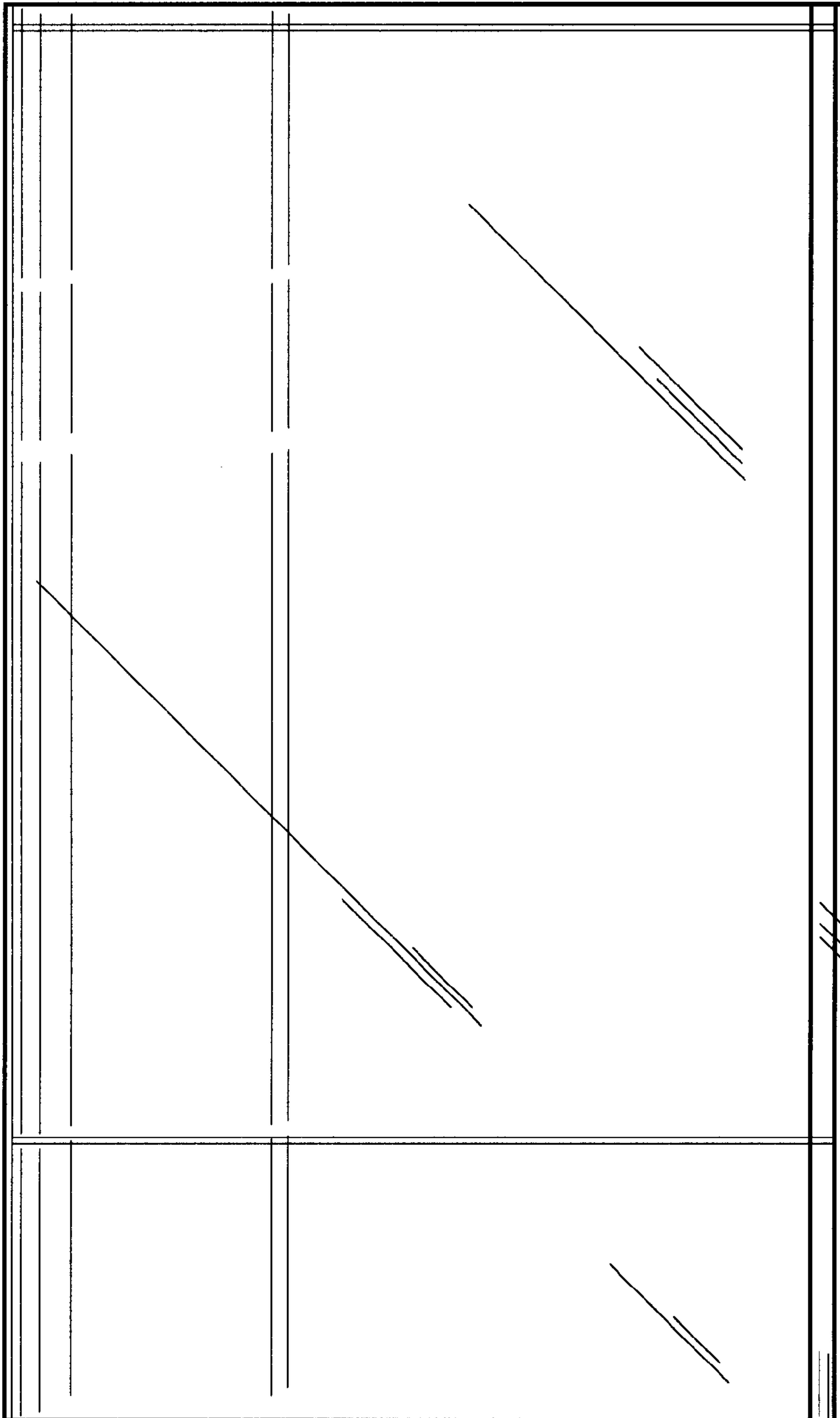


FIG. 4

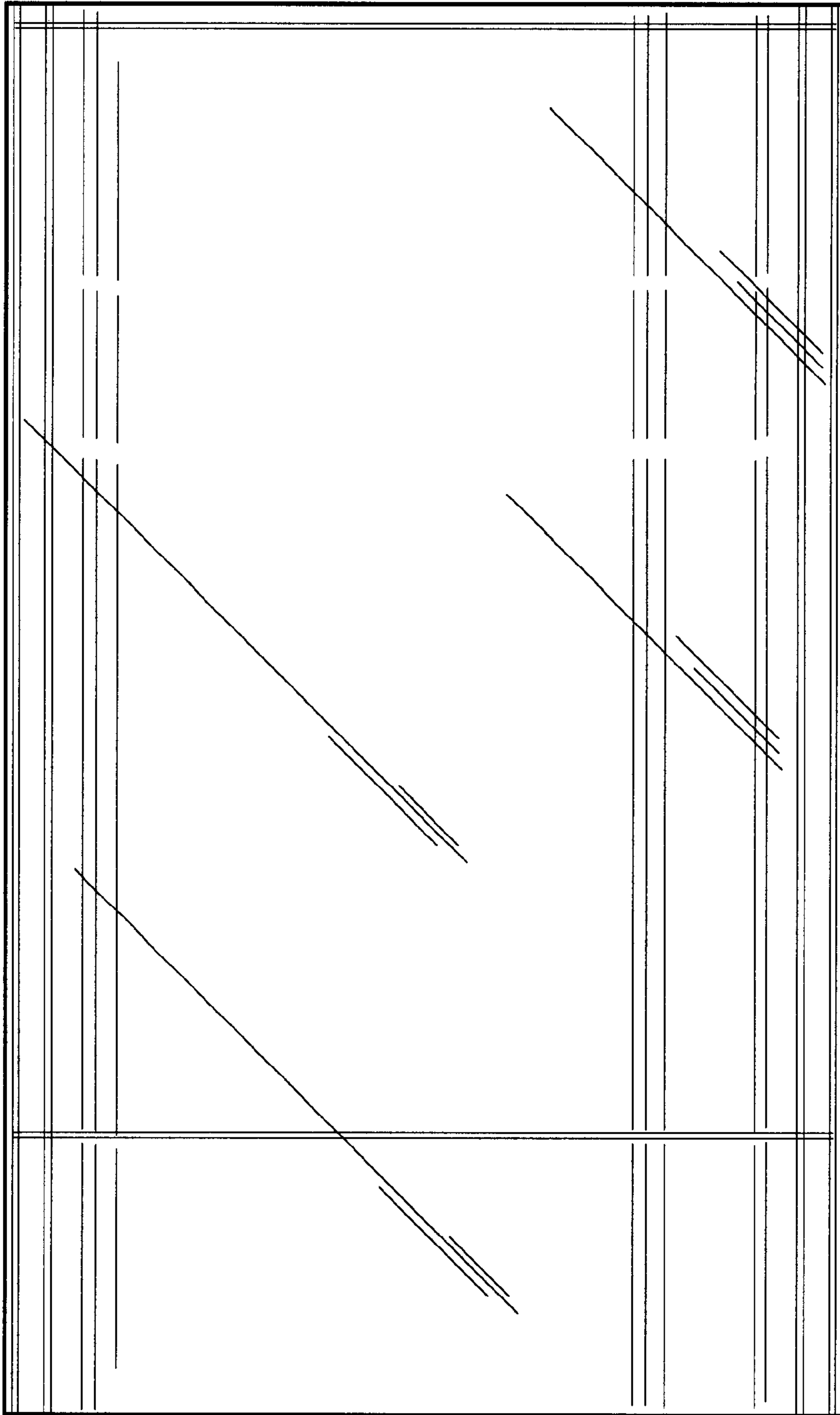


FIG. 5

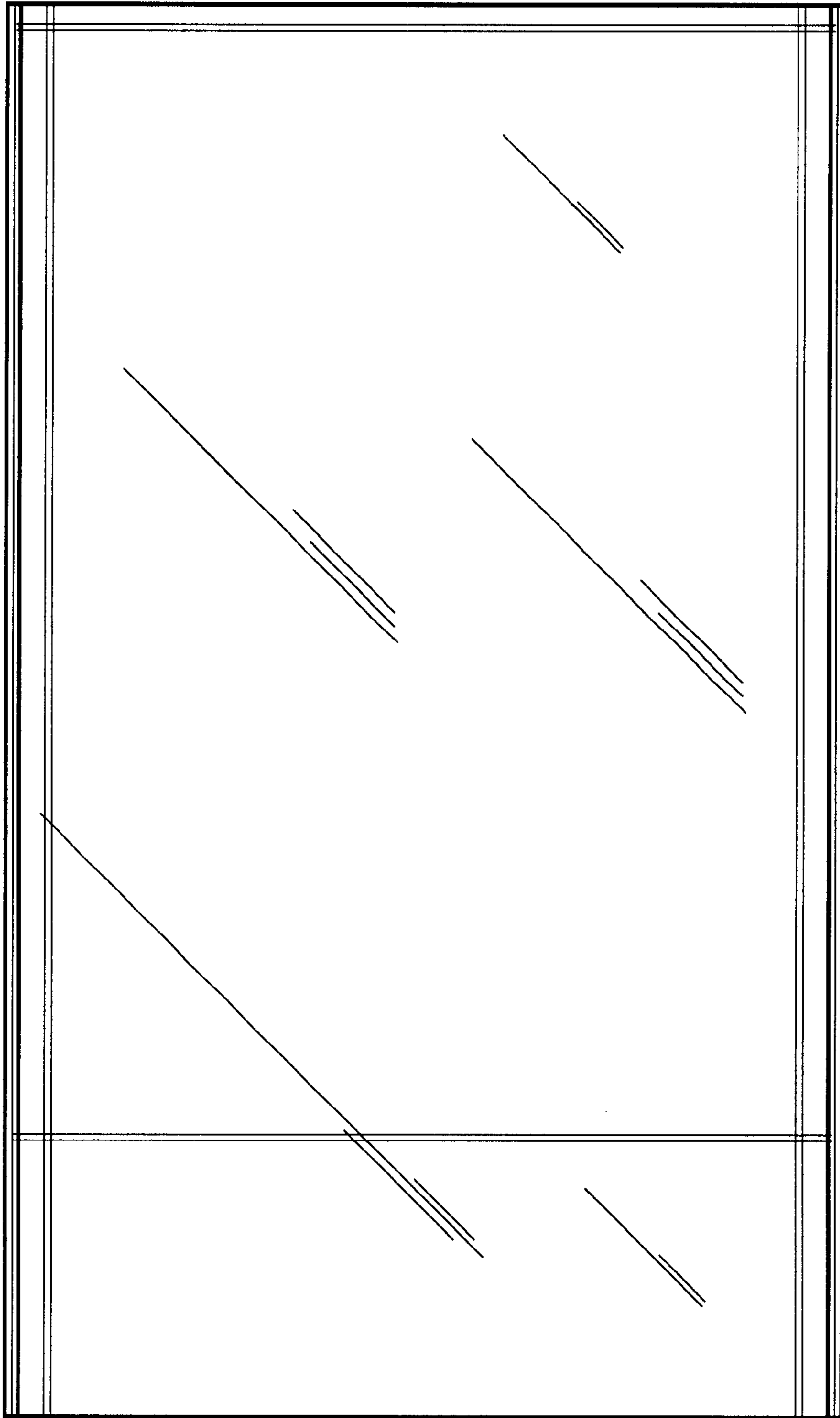


FIG. 6