



US00D461022S

(12) **United States Design Patent**  
**Eberlein et al.**

(10) **Patent No.:** **US D461,022 S**

(45) **Date of Patent:** **\*\* Jul. 30, 2002**

(54) **TASK LIGHT**

(75) Inventors: **David C. Eberlein**, Hudsonville;  
**Douglas D. Buyce**, Kentwood; **Michael W. Welsh**, Rockford; **Jonathan J. King**, East Grand Rapids; **Michael C. Andrusiak**, Middleville; **Royal A. Kent**, Grand Rapids, all of MI (US)

(73) Assignee: **Steelcase Development Corporation**, Caledonia, MI (US)

(\*\*) Term: **14 Years**

(21) Appl. No.: **29/134,356**

(22) Filed: **Dec. 19, 2000**

(51) **LOC (7) Cl.** ..... **26-05**

(52) **U.S. Cl.** ..... **D26/118**

(58) **Field of Search** ..... D26/60-66; 362/267, 362/269, 281, 285, 287, 418, 419, 428, 430, 396, 253, 86, 148, 147, 341, 346, 217, 347

(56) **References Cited**

**U.S. PATENT DOCUMENTS**

|             |           |                |         |
|-------------|-----------|----------------|---------|
| 3,111,589 A | 11/1963   | Röhr           |         |
| 4,519,019 A | 5/1985    | Hall           |         |
| 4,599,684 A | 7/1986    | Lee            |         |
| 4,768,140 A | 8/1988    | Szpur          |         |
| 5,142,459 A | 8/1992    | Swarens et al. |         |
| 5,570,947 A | 11/1996   | Felland        |         |
| 5,613,766 A | * 3/1997  | Raouf          | 362/287 |
| 5,848,833 A | * 12/1998 | Margulies      | 362/147 |

|             |           |        |         |
|-------------|-----------|--------|---------|
| 5,988,829 A | * 11/1999 | Holder | 362/217 |
| 6,053,624 A | * 4/2000  | Cronk  | 362/347 |
| 6,164,798 A | * 12/2000 | Wordin | 362/297 |

**OTHER PUBLICATIONS**

Exhibit A is an article entitled "Knoll Project Profile", date unknown, but at least as early as Feb. 24, 1998.

Exhibit B is a "Garcy Panel Mount Task Light", Garcy Systems Lighting Products, date unknown, but at least as early as Feb. 24, 1998.

\* cited by examiner

*Primary Examiner*—Susan J. Lucas

(74) *Attorney, Agent, or Firm*—Price, Heneveld, Cooper, DeWitt & Litton

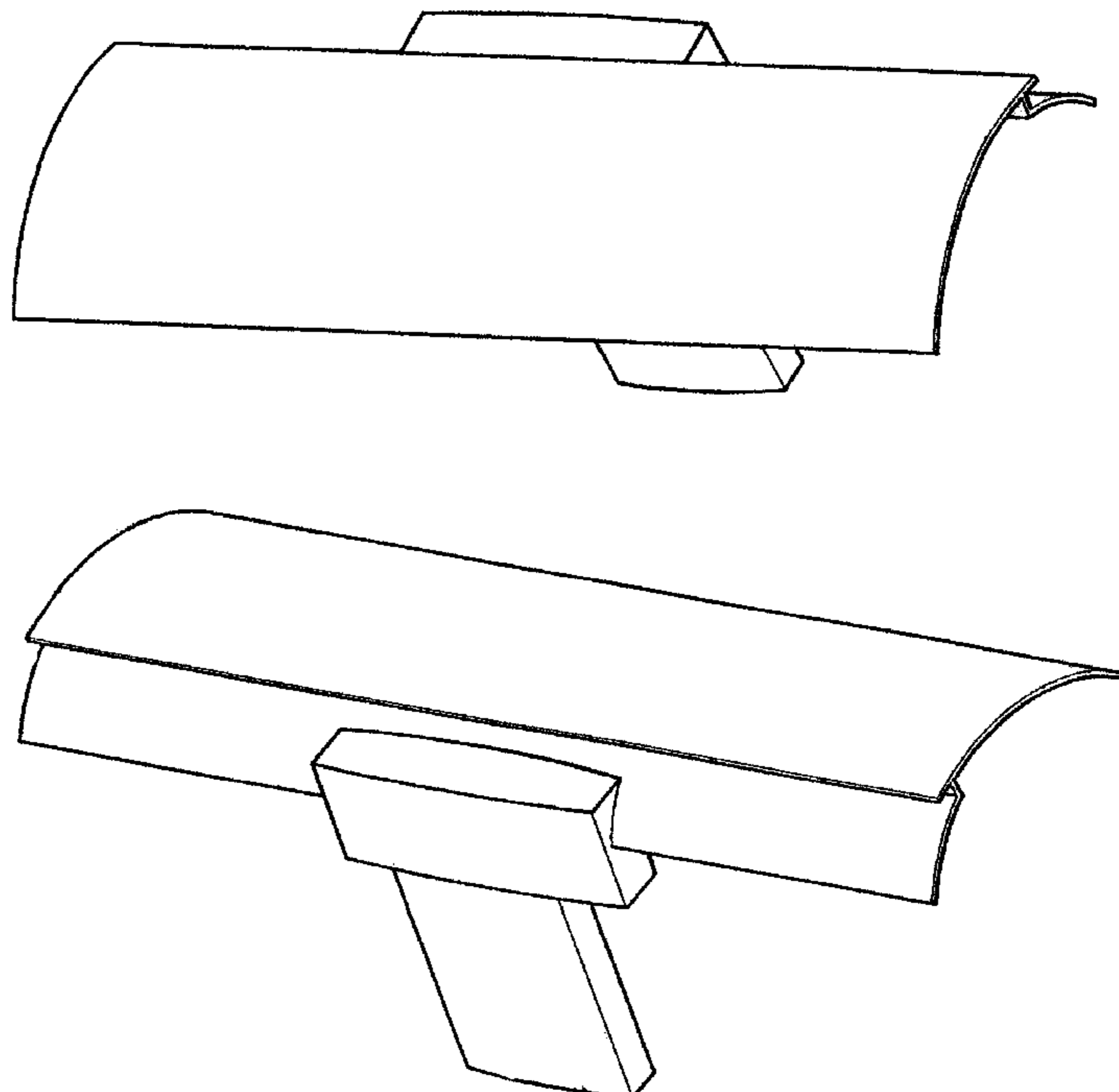
(57) **CLAIM**

We claim the ornamental design for a task light, as shown and described.

**DESCRIPTION**

FIG. 1 is a perspective view of our new design; FIG. 2 is a perspective view of the design shown in FIG. 1; FIG. 3 is a top plan view of the design shown in FIG. 1; FIG. 4 is a front elevational view of the design shown in FIG. 1; FIG. 5 is a bottom elevational view of the design shown in FIG. 1; FIG. 6 is a rear elevational view of the design shown in FIG. 1; and, FIG. 7 is a perspective view of the design shown in FIG. 1.

**1 Claim, 3 Drawing Sheets**



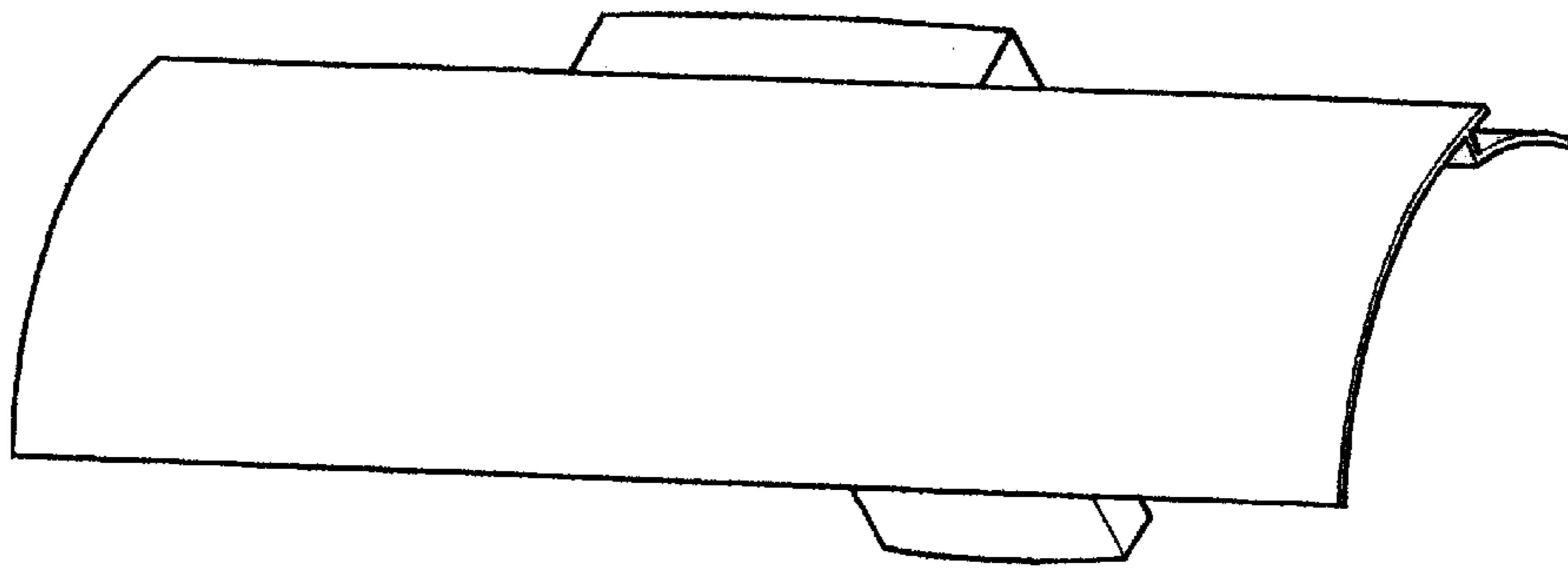


Fig. 1

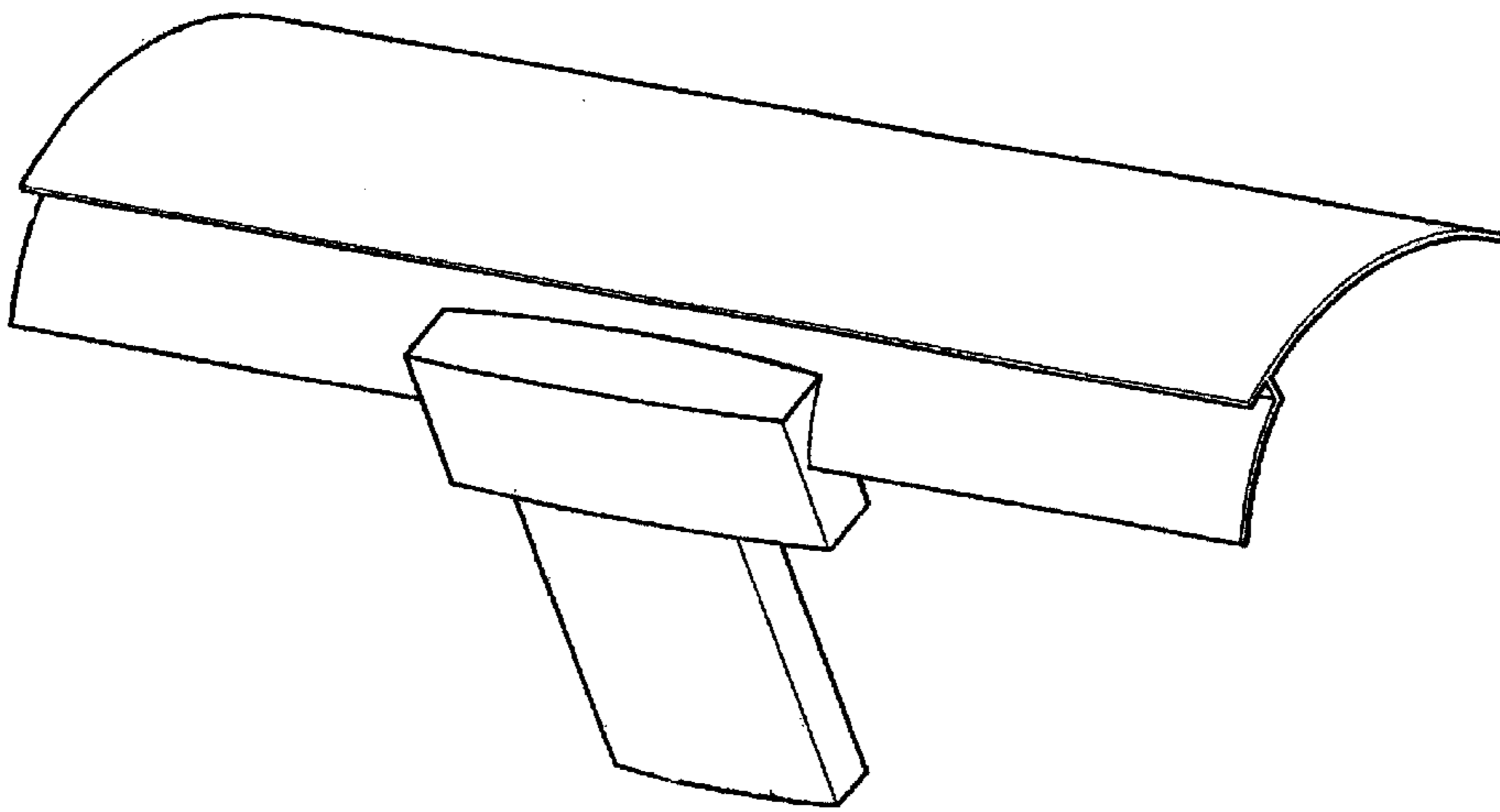


Fig. 2

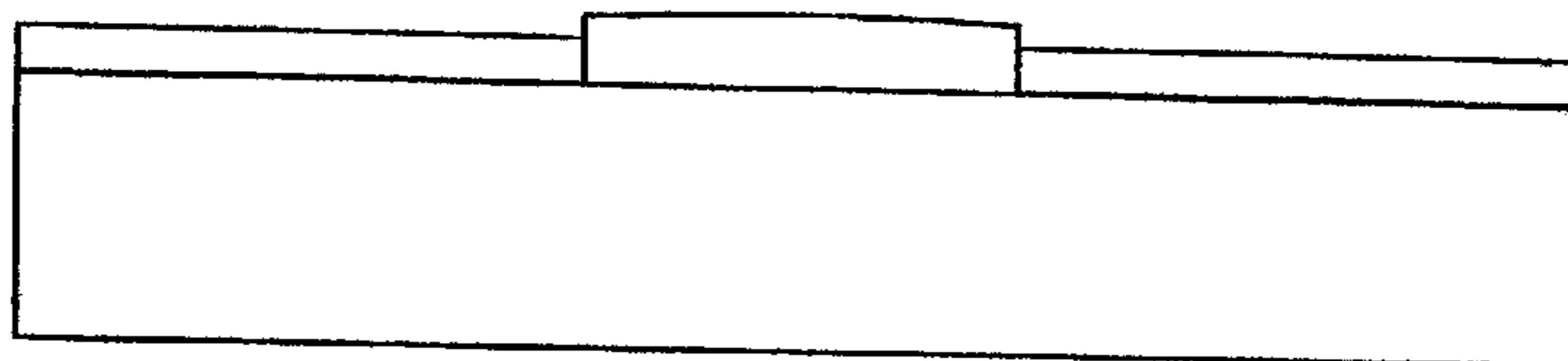


Fig. 3

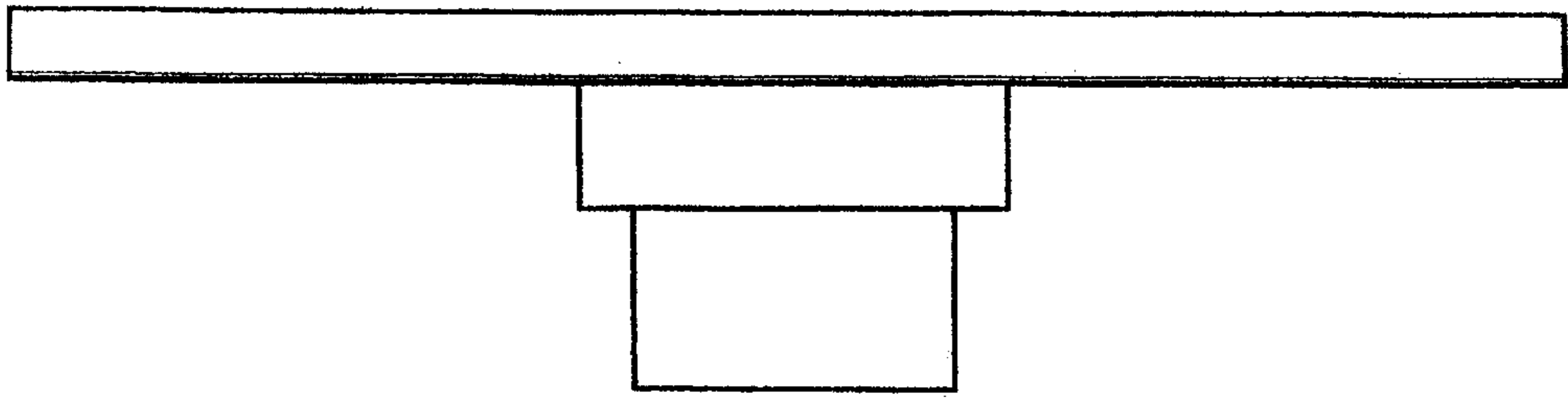


Fig. 4

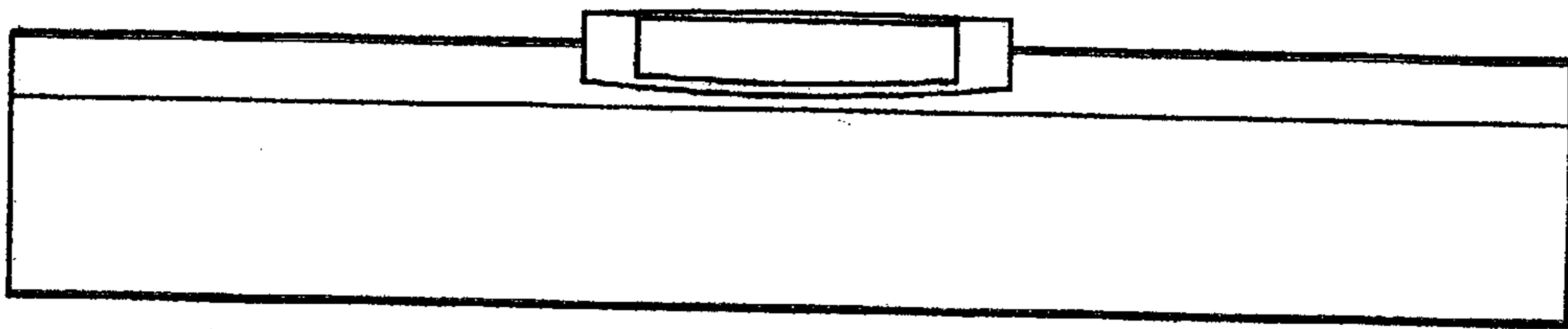


Fig. 5

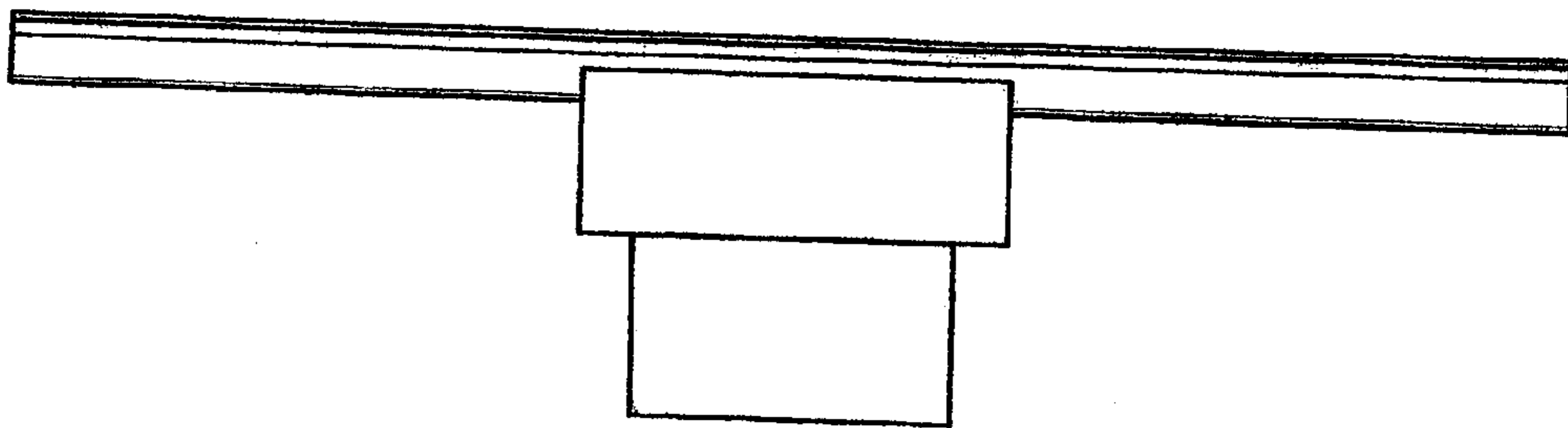


Fig. 6

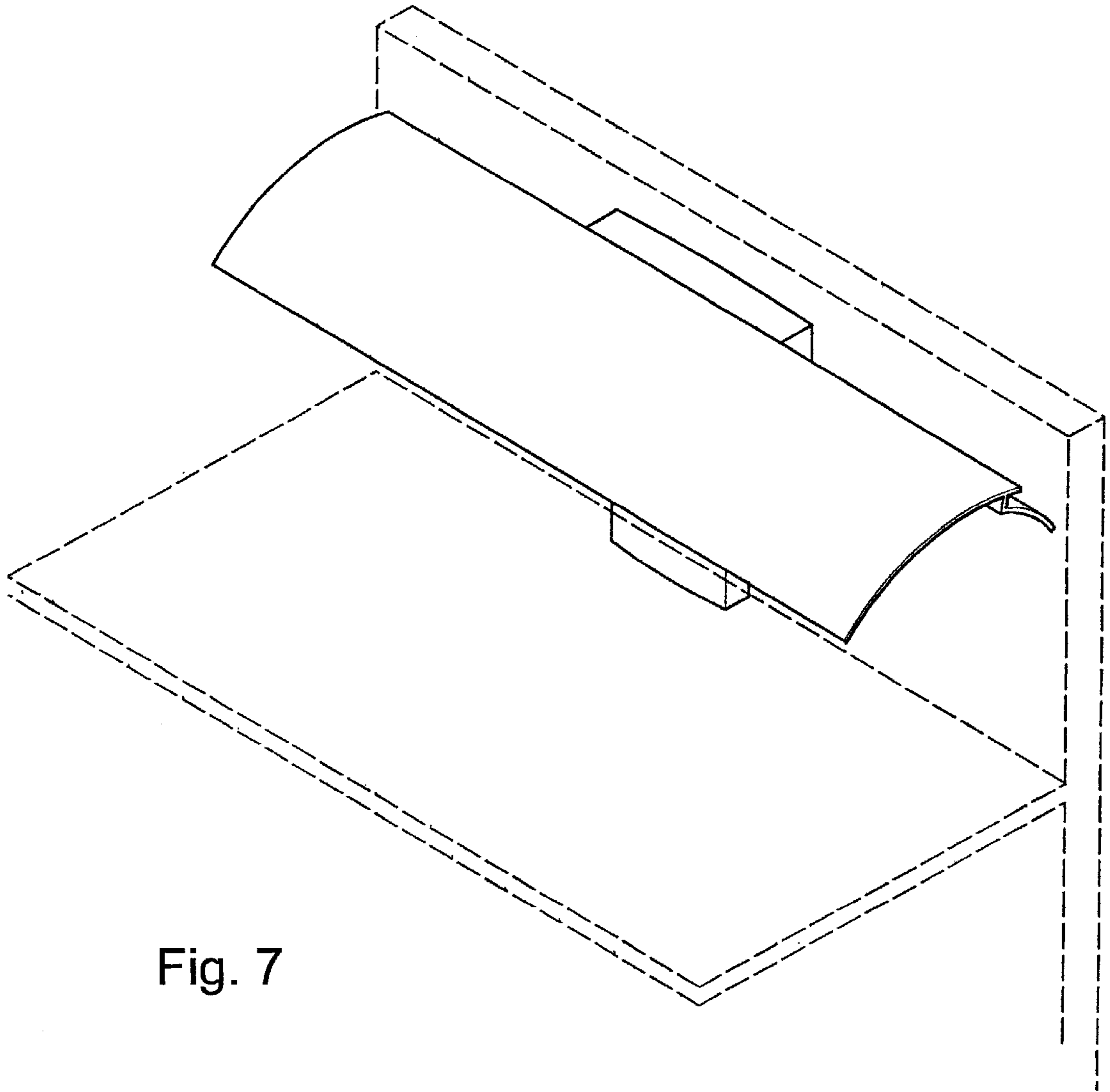


Fig. 7