



US00D461019S

(12) **United States Design Patent**
Donato

(10) **Patent No.:** **US D461,019 S**

(45) **Date of Patent:** **** Jul. 30, 2002**

(54) **MODULAR CONSTRUCTION FOR TRACK LIGHTING FIXTURE**

(75) **Inventor:** **Anthony C. Donato**, Wellesley, MA (US)

(73) **Assignee:** **Genlyte Thomas Group LLC**, Louisville, KY (US)

(**) **Term:** **14 Years**

(21) **Appl. No.:** **29/122,627**

(22) **Filed:** **May 1, 2000**

Related U.S. Application Data

(63) Continuation-in-part of application No. 29/102,635, filed on Mar. 29, 1999, now Pat. No. Des. 437,953.

(51) **LOC (7) Cl.** **26-05**

(52) **U.S. Cl.** **D26/63**

(58) **Field of Search** D26/60-66, 118;
362/267, 269, 271, 272, 273, 276, 282,
283, 285, 287, 418, 419, 427, 428

(56) **References Cited**

U.S. PATENT DOCUMENTS

5,140,507 A * 8/1992 Harwood 362/271

D354,148 S * 1/1995 Roos D26/63
D380,847 S * 7/1997 Mier-Langner D26/63
D402,773 S * 12/1998 Lo D26/118
6,022,130 A * 2/2000 Donato 362/428
D443,940 S * 6/2001 Donato D26/63

* cited by examiner

Primary Examiner—Marcus A. Jackson
(74) *Attorney, Agent, or Firm*—Jeffrey A. Haerberlin; Middleton Reutlinger

(57) **CLAIM**

The ornamental design for a modular construction for track lighting fixture, as shown and described.

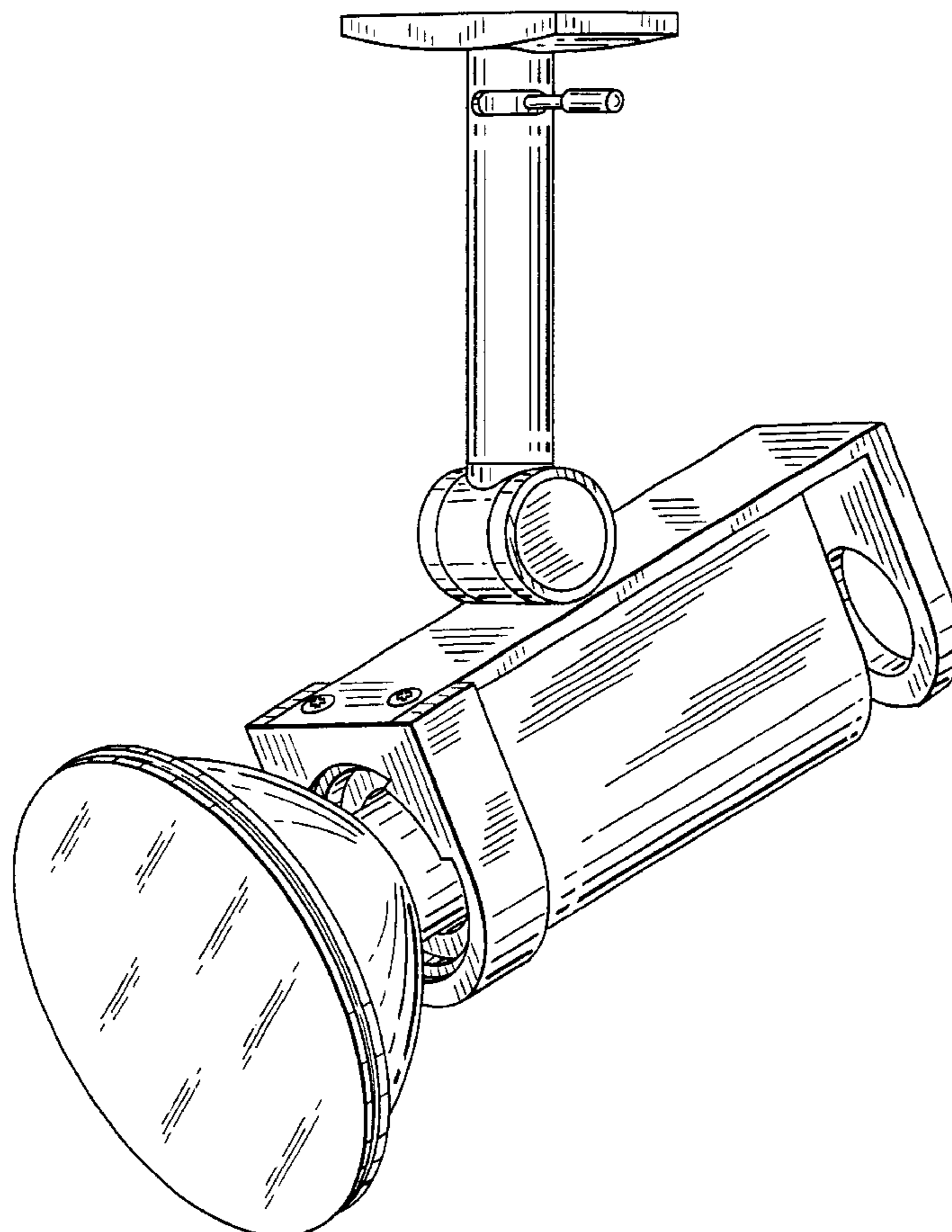
DESCRIPTION

FIG. 1 is a front isometric view of the modular track lighting fixture of the invention, with the broken line showing for illustrative purposes only and forming no part of the claimed design;

FIG. 2 is a rear isometric view of the modular track lighting fixture of FIG. 1; and,

FIG. 3 is a bottom plan view of the module track lighting fixture of FIG. 1.

1 Claim, 3 Drawing Sheets



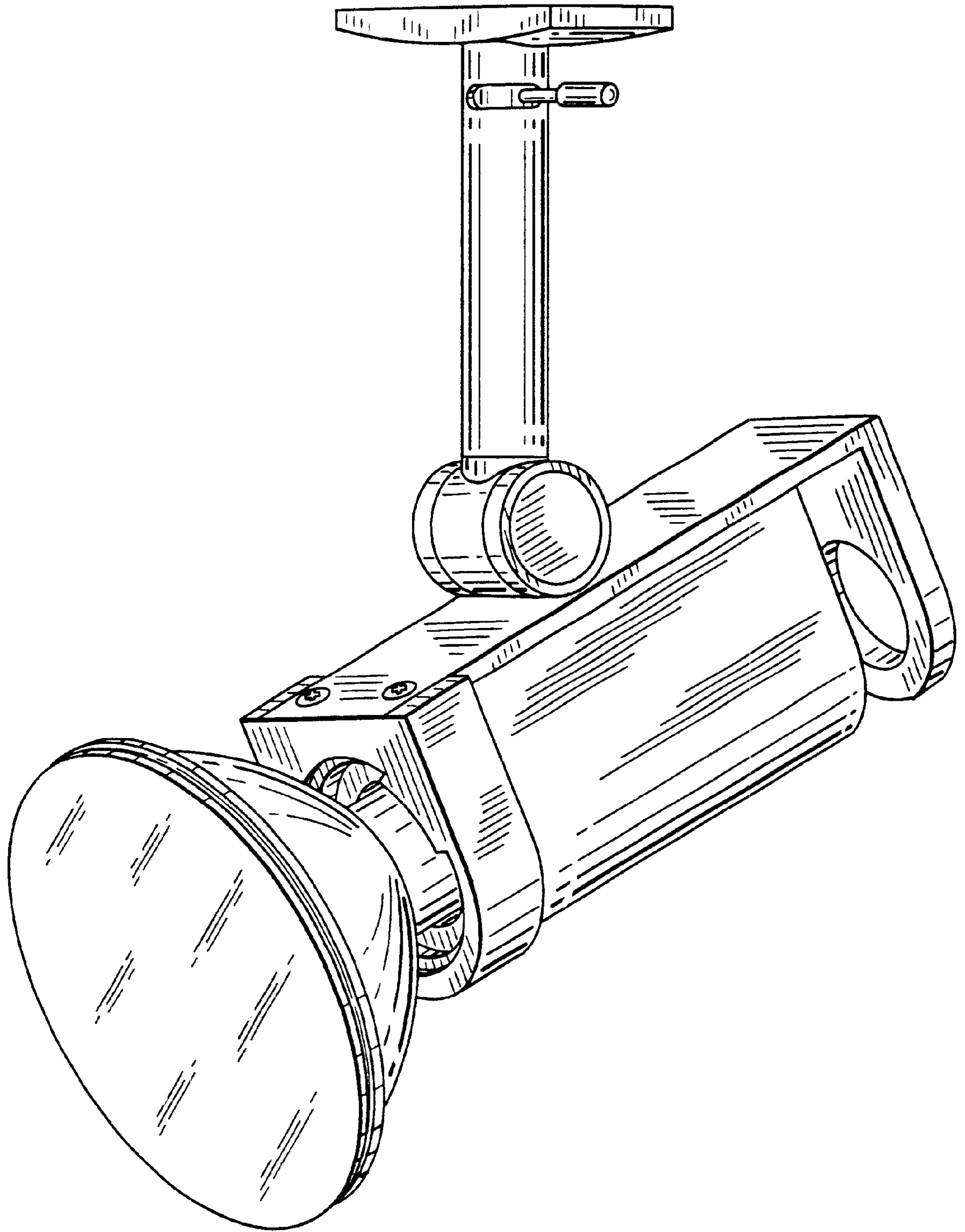


FIG. 1

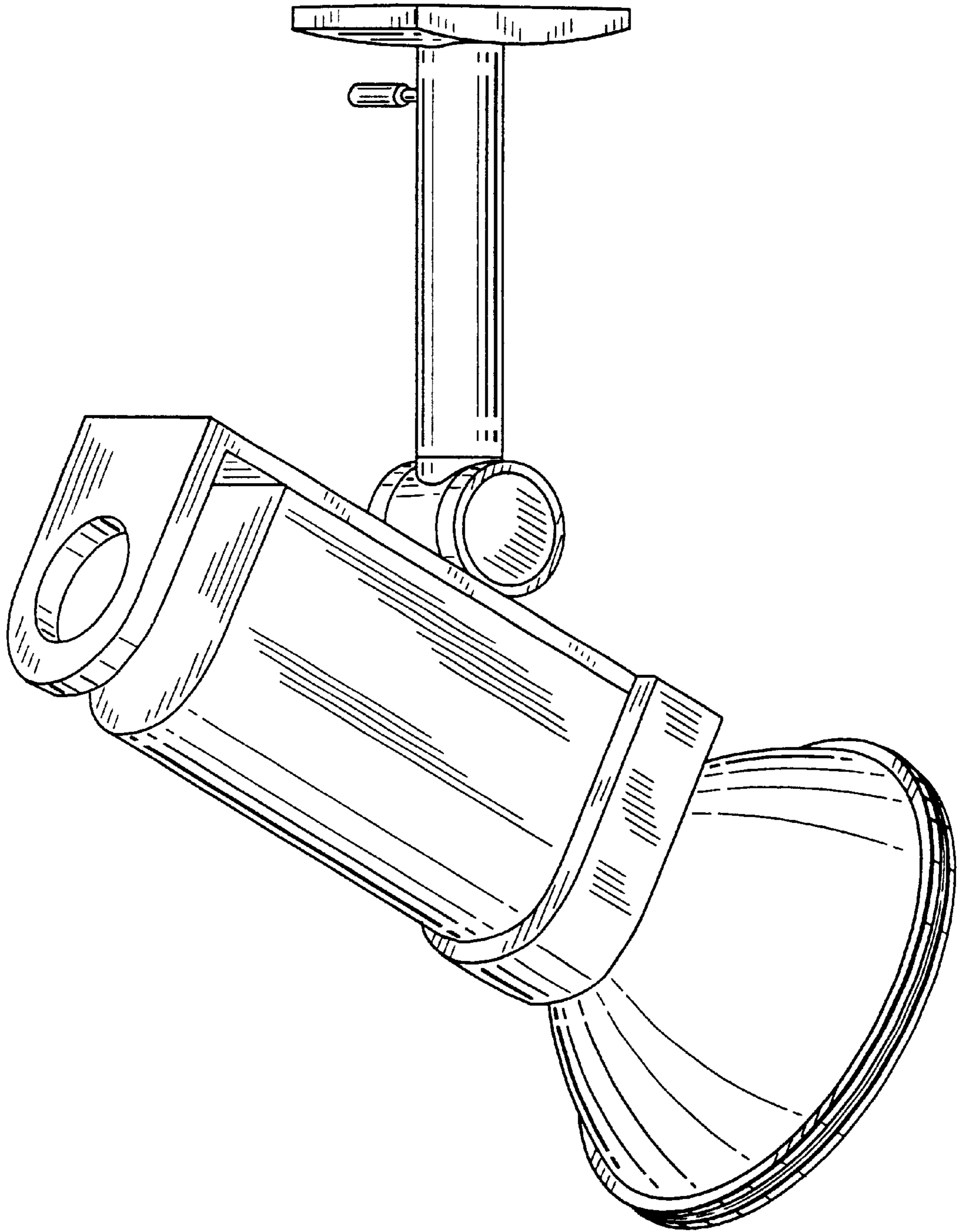


FIG. 2

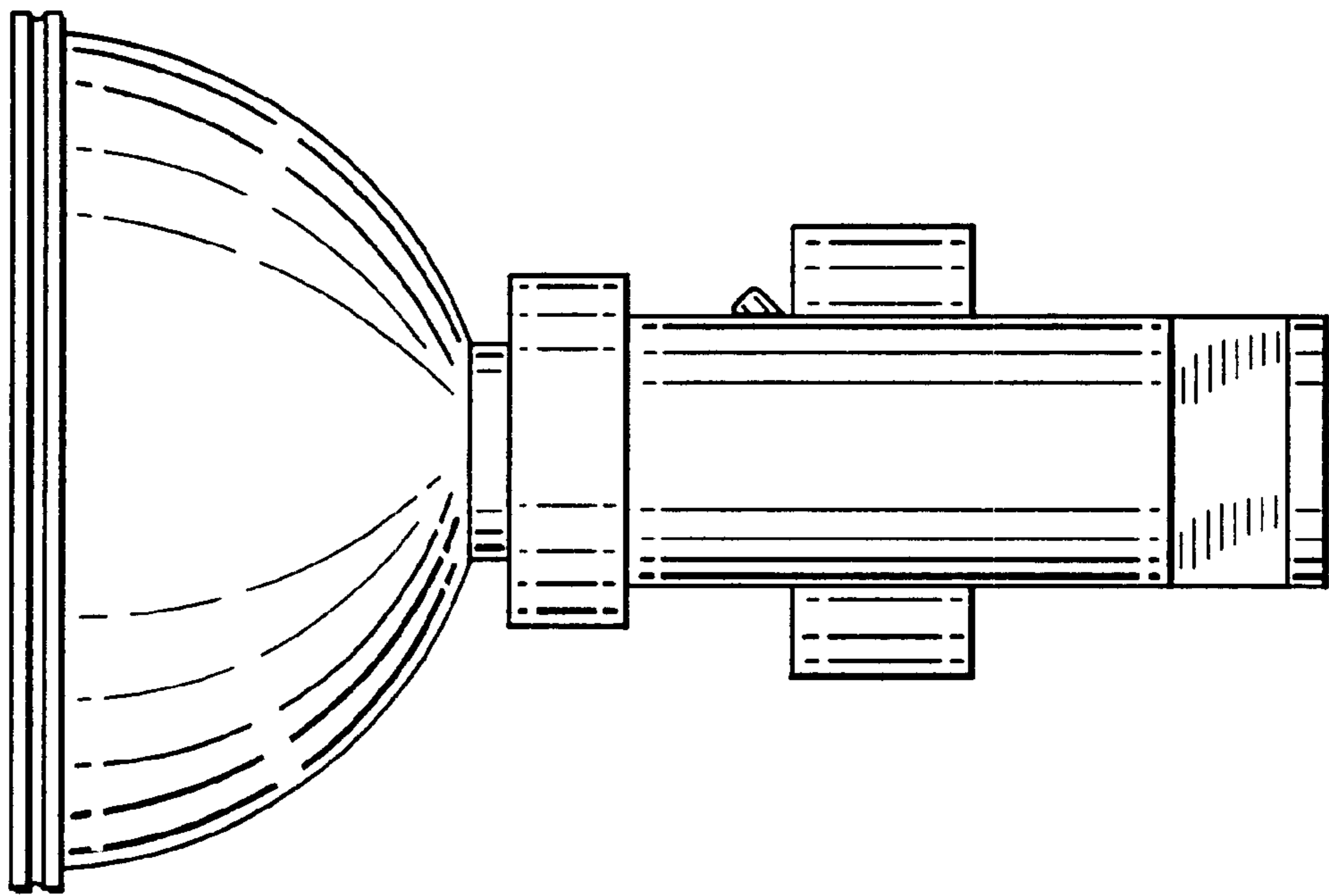


FIG. 3