



US00D461018S

(12) **United States Design Patent**
Leen

(10) **Patent No.:** **US D461,018 S**

(45) **Date of Patent:** **** Jul. 30, 2002**

(54) **BAR ATTACHABLE WORK LIGHT**

D449,398 S * 10/2001 Tsao D26/63
D451,617 S * 12/2001 David et al. D26/60

(76) Inventor: **Monte A. Leen**, 11730 NE. 112th St.,
Bellevue, WA (US) 98005

* cited by examiner

(**) Term: **14 Years**

Primary Examiner—Marcus A. Jackson
(74) *Attorney, Agent, or Firm*—Dean A. Craine

(21) Appl. No.: **29/145,977**

(57) **CLAIM**

(22) Filed: **Jul. 31, 2001**

The ornamental design for a bar attachable work light, as shown and described.

(51) **LOC (7) Cl.** **26-05**

(52) **U.S. Cl.** **D26/60**

(58) **Field of Search** D26/60-66; 362/269,
362/270, 275, 282, 285, 286, 287, 290,
376, 427, 428, 429, 430

DESCRIPTION

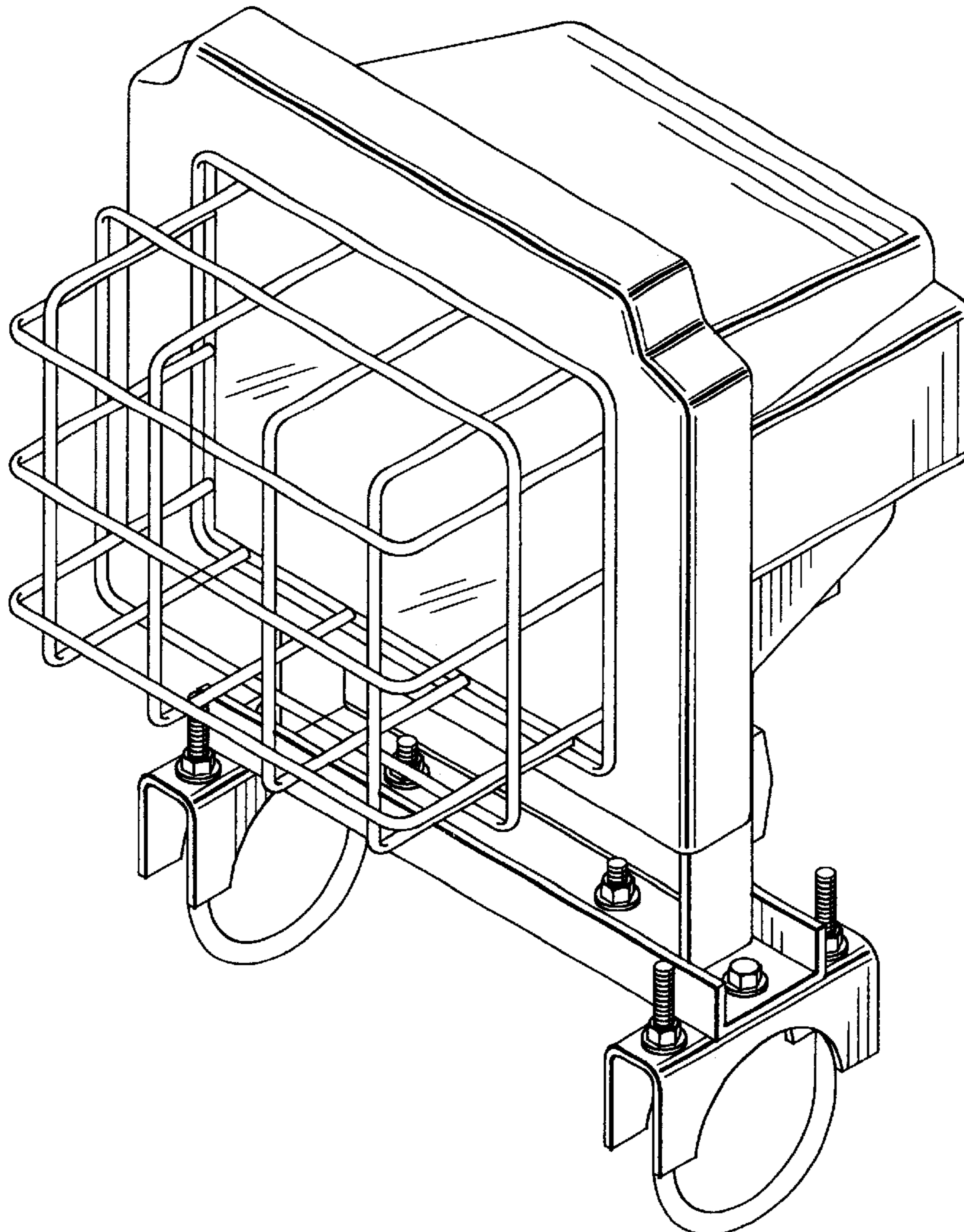
(56) **References Cited**

U.S. PATENT DOCUMENTS

D436,204 S 1/2001 Leen D26/63
D438,667 S 3/2001 Leen D26/113
D446,875 S * 8/2001 Leen D26/63

FIG. 1 is a perspective view of the bar attachable work light.
FIG. 2 is a front elevation view of the invention.
FIG. 3 is a rear elevation view of the invention.
FIG. 4 is a right side elevation view of the invention.
FIG. 5 is a left side elevation view of the invention.
FIG. 6 is a top plan view of the invention; and,
FIG. 7 is a bottom plan view of the invention.

1 Claim, 3 Drawing Sheets



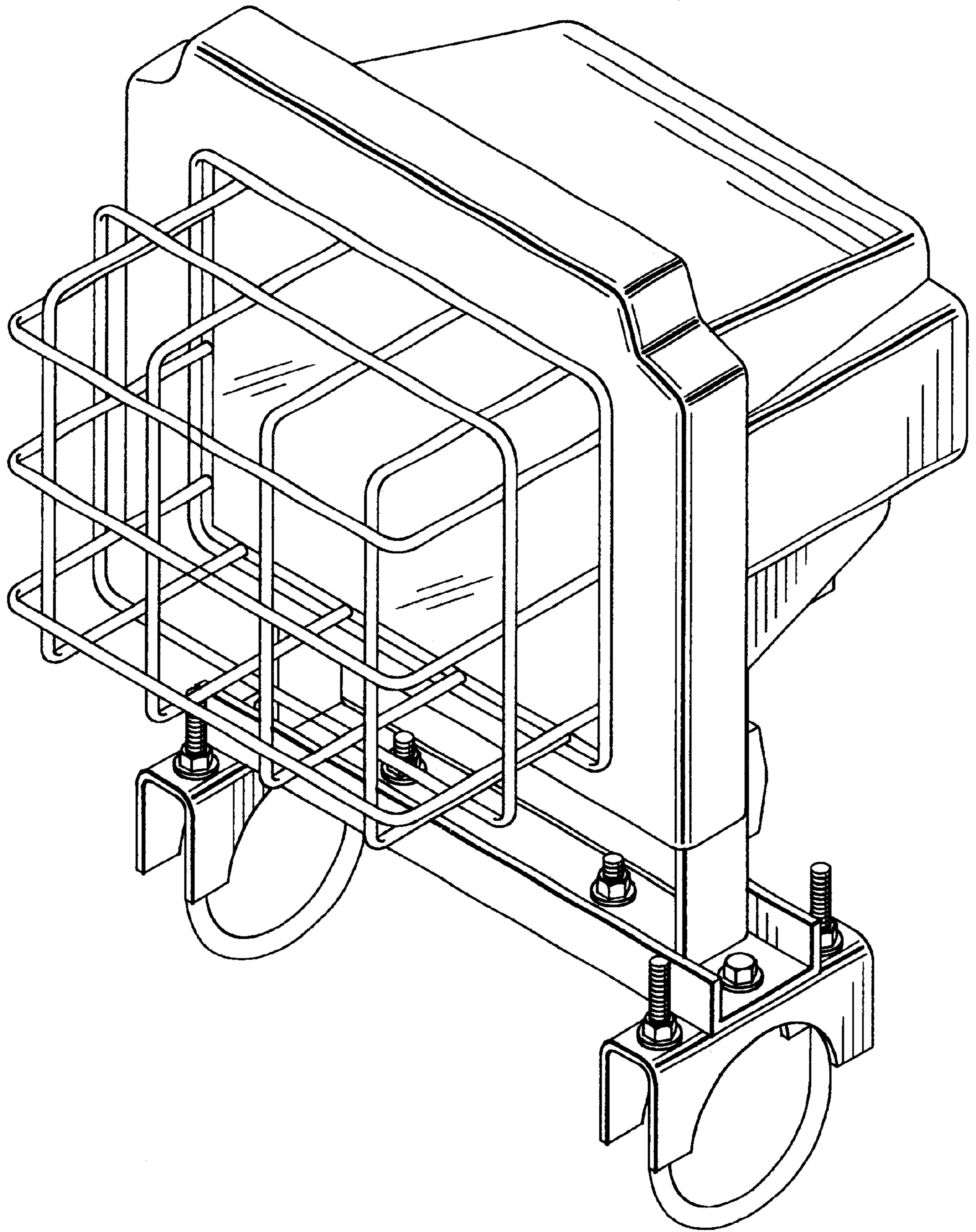


FIG. 1

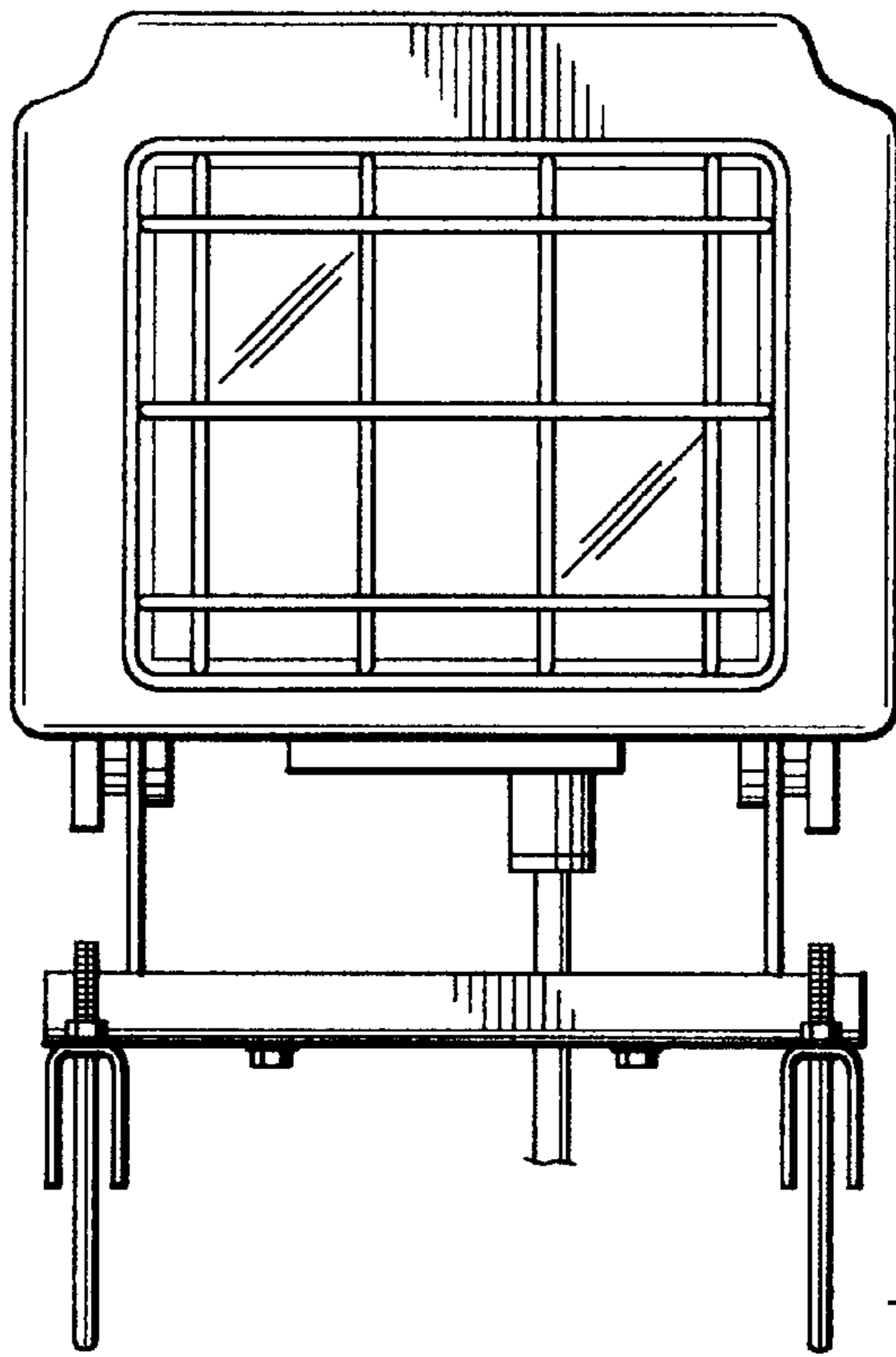


FIG. 2

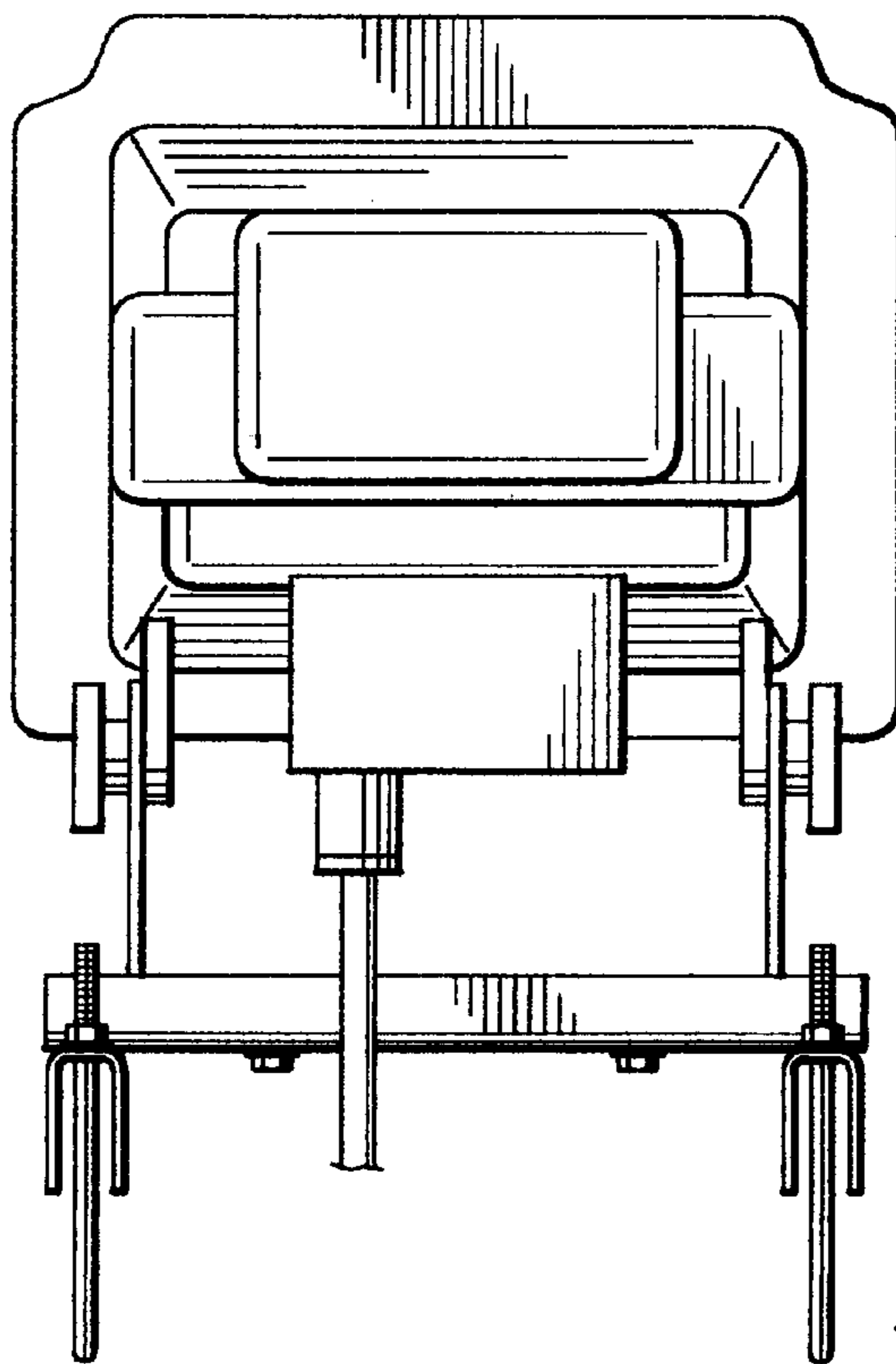


FIG. 3

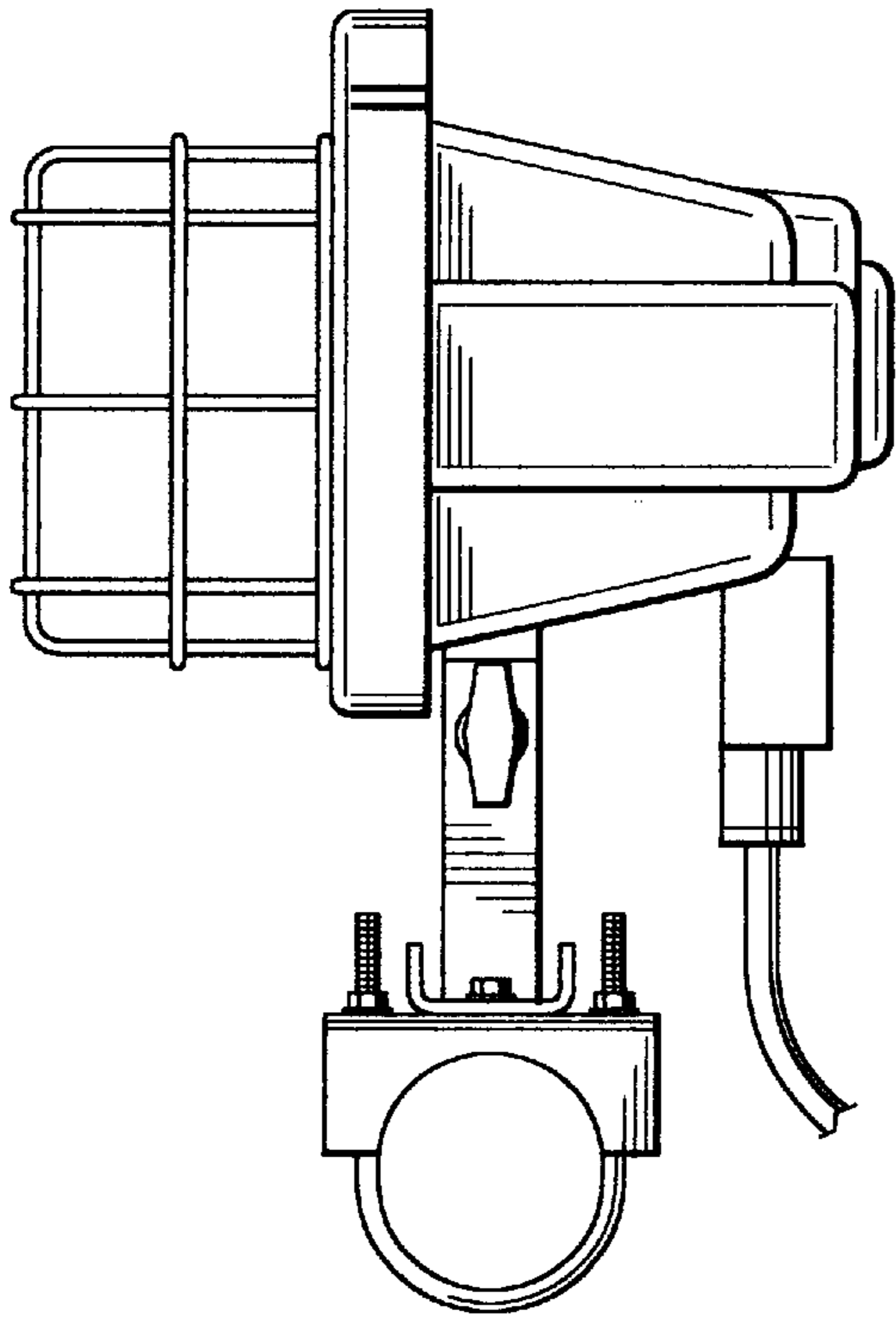


FIG. 4

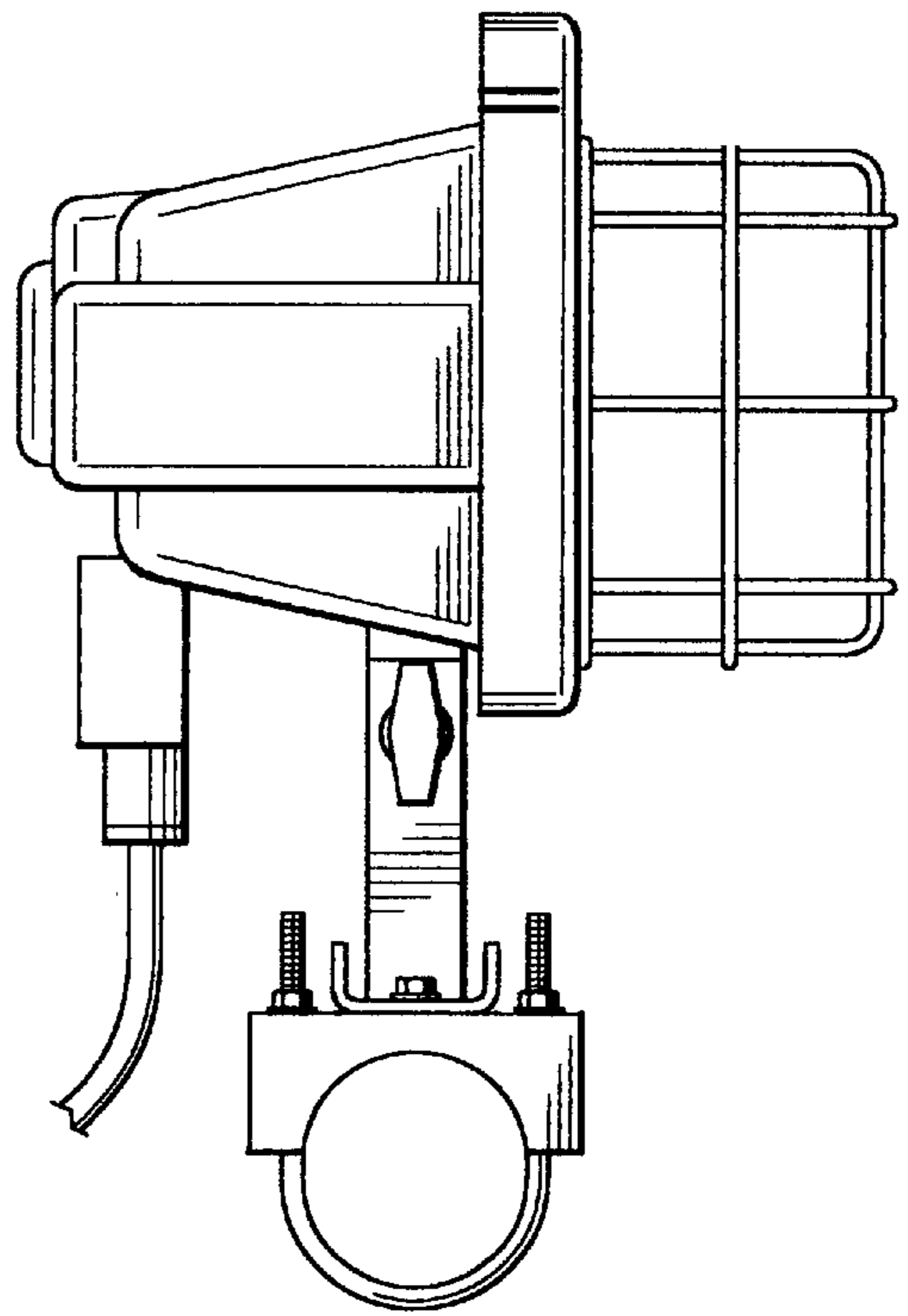


FIG. 5

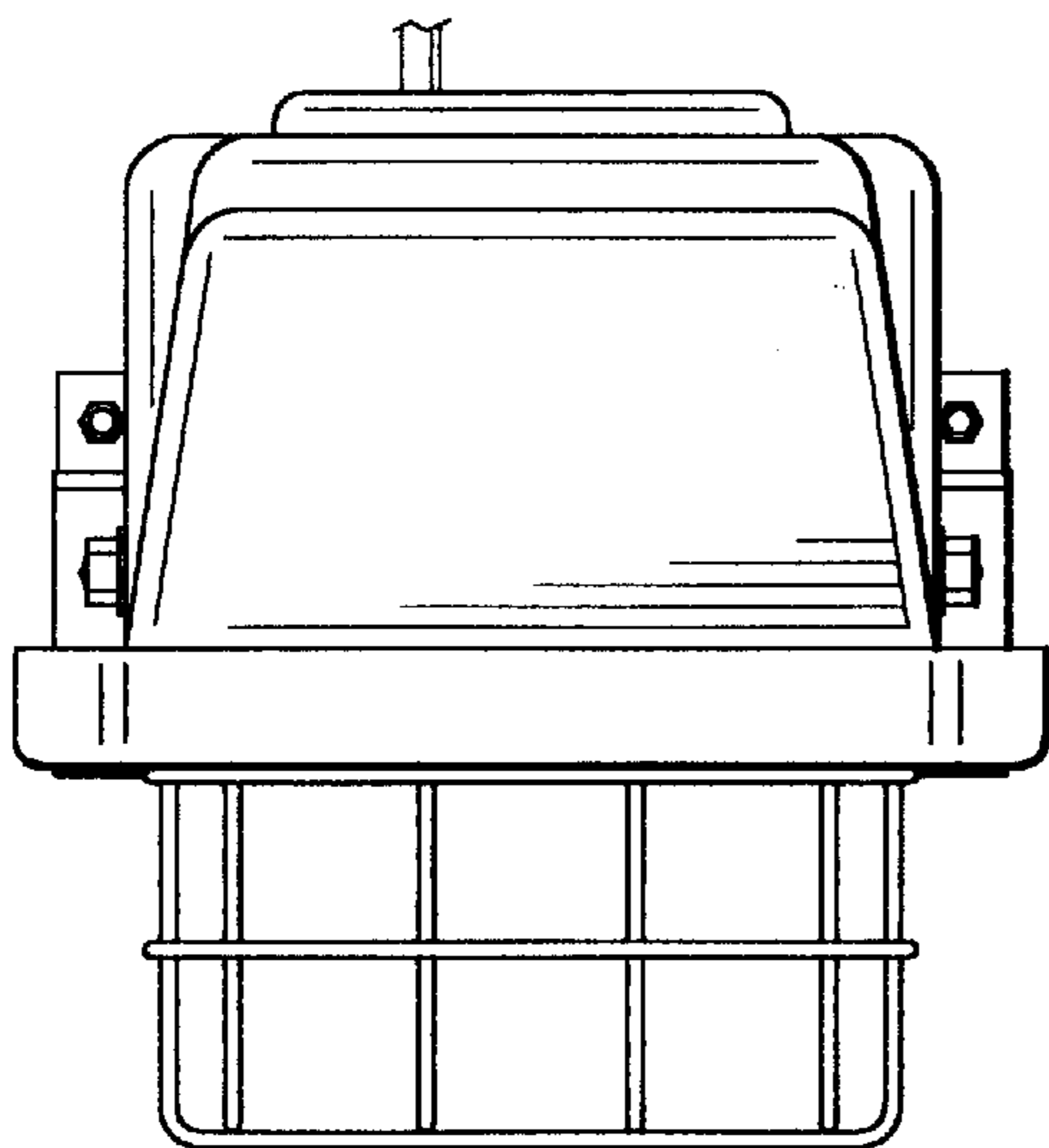


FIG. 6

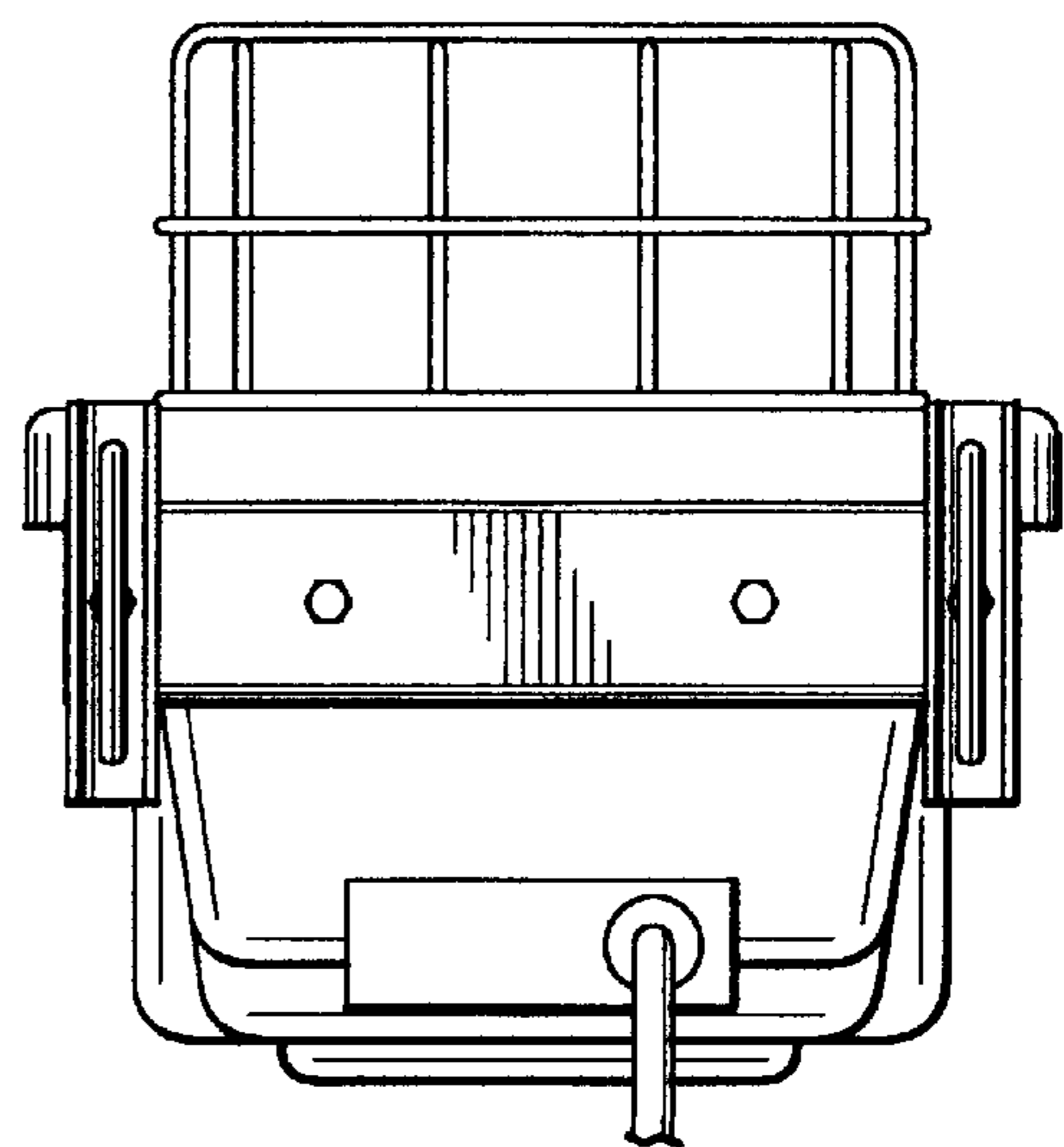


FIG. 7