



US00D461017S

(12) **United States Design Patent**
Poon

(10) **Patent No.:** **US D461,017 S**

(45) **Date of Patent:** **** Jul. 30, 2002**

(54) **SPOTLIGHT**

(75) **Inventor:** **Tit Wing Poon, Shatin (CN)**

(73) **Assignee:** **Flying Dragon Development Ltd.,
Shatin (CN)**

(**) **Term:** **14 Years**

(21) **Appl. No.:** **29/146,312**

(22) **Filed:** **Aug. 8, 2001**

(30) **Foreign Application Priority Data**

Feb. 13, 2001 (HK) 0110203

(51) **LOC (7) Cl.** **26-02**

(52) **U.S. Cl.** **D26/45**

(58) **Field of Search** D26/37-50; 362/157,
362/158, 161, 171, 172, 173, 181-208

(56) **References Cited**

U.S. PATENT DOCUMENTS

D300,470 S * 3/1989 Schmidt et al. D26/45

D342,582 S * 12/1993 Young D26/45

D438,997 S * 3/2001 Yuen D26/45

D451,222 S * 11/2001 Poon D26/45

* cited by examiner

Primary Examiner—Marcus A. Jackson

(74) *Attorney, Agent, or Firm*—Alix, Yale & Ristas, LLP

(57) **CLAIM**

The ornamental design for a spotlight, as shown and described.

DESCRIPTION

FIG. 1 is a front perspective view of the spotlight showing my new design;

FIG. 2 is a front view of the spotlight of FIG. 1;

FIG. 3 is a right side view of the spotlight of FIG. 1;

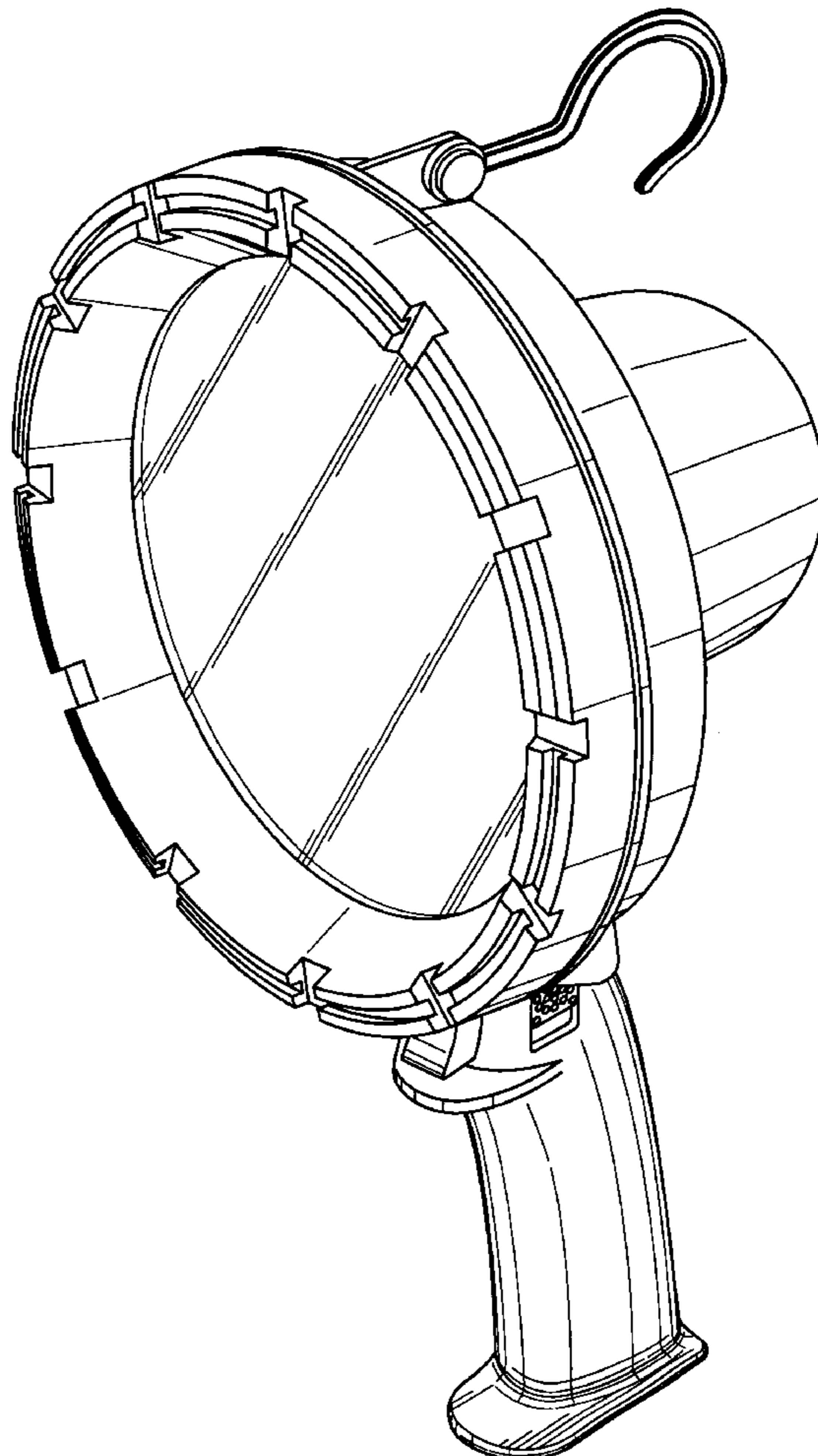
FIG. 4 is a left side view of the spotlight of FIG. 1;

FIG. 5 is a rear view of the spotlight of FIG. 1;

FIG. 6 is a top plan view of the spotlight of FIG. 1; and,

FIG. 7 is a bottom plan view of the spotlight of FIG. 1.

1 Claim, 6 Drawing Sheets



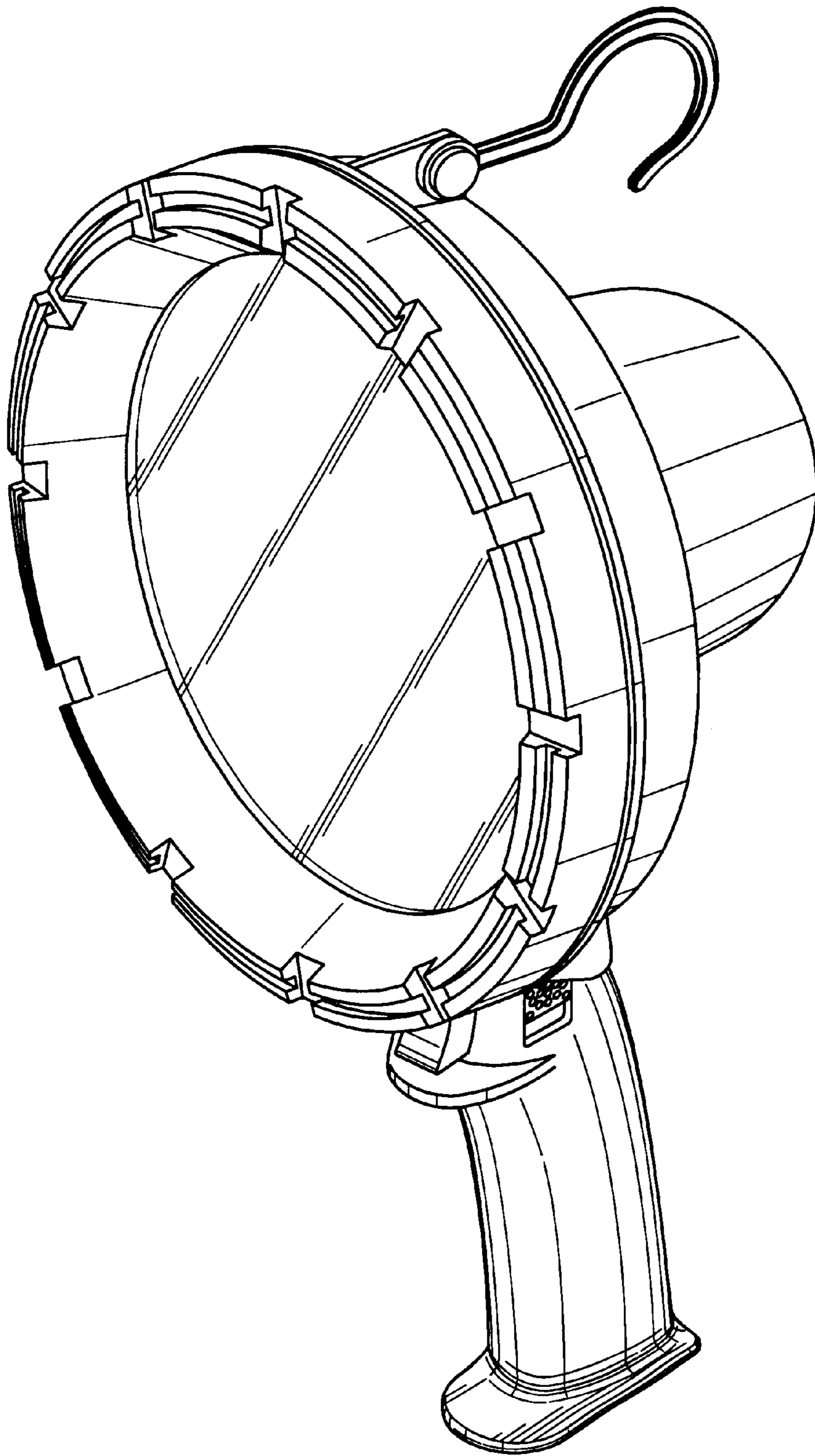


FIG. 1

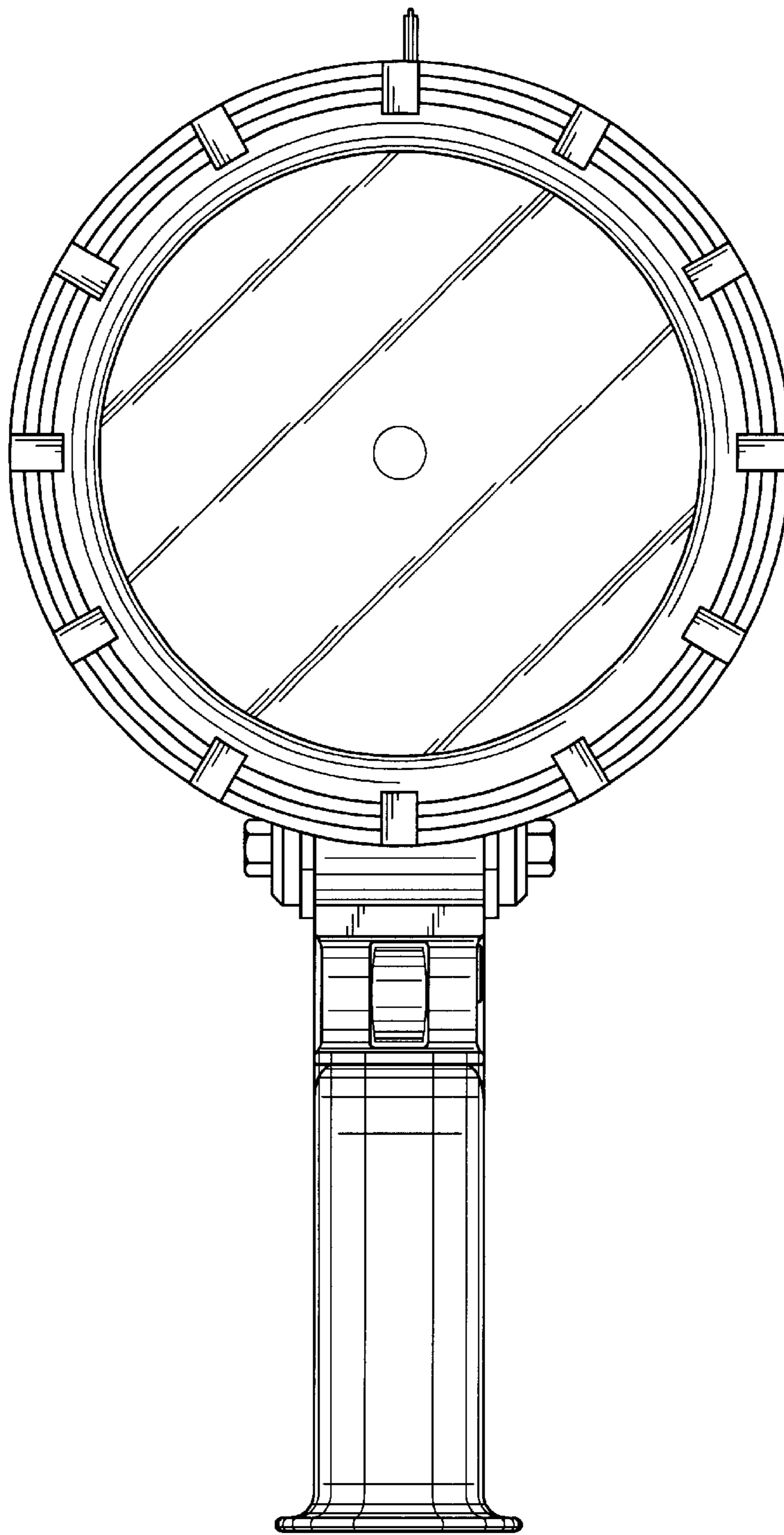


FIG. 2

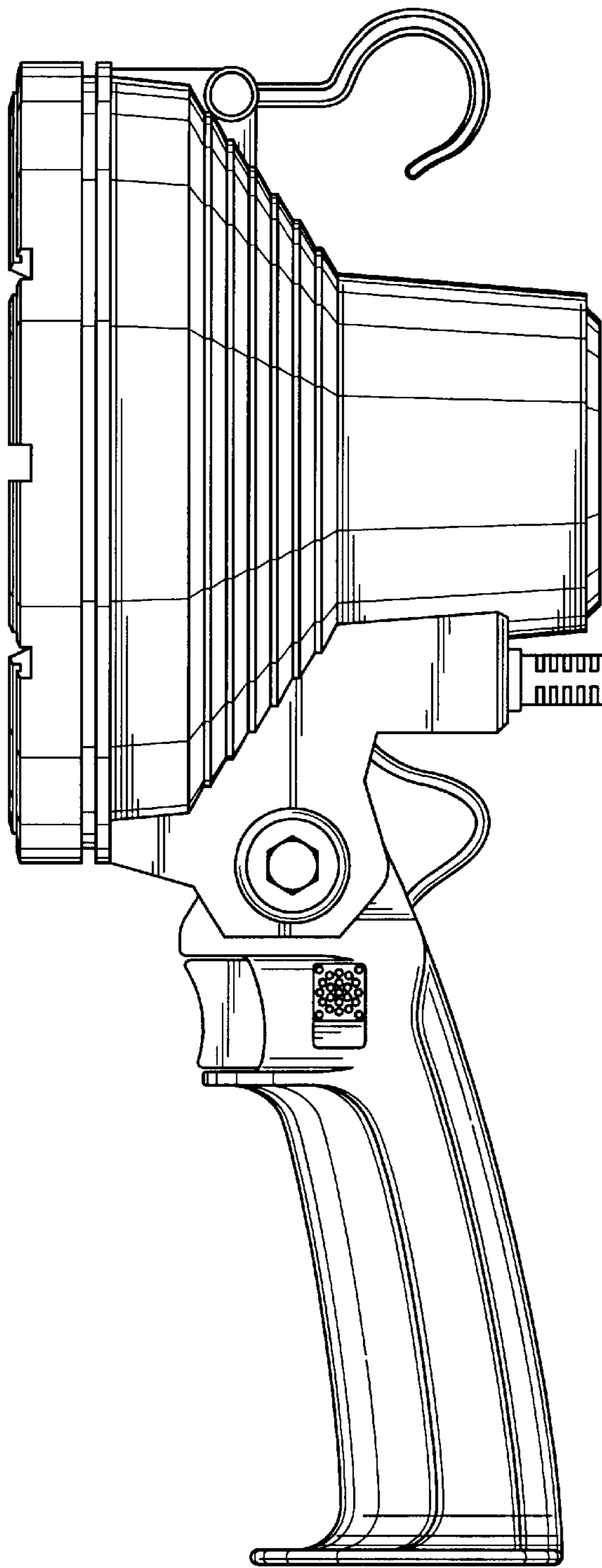


FIG. 3

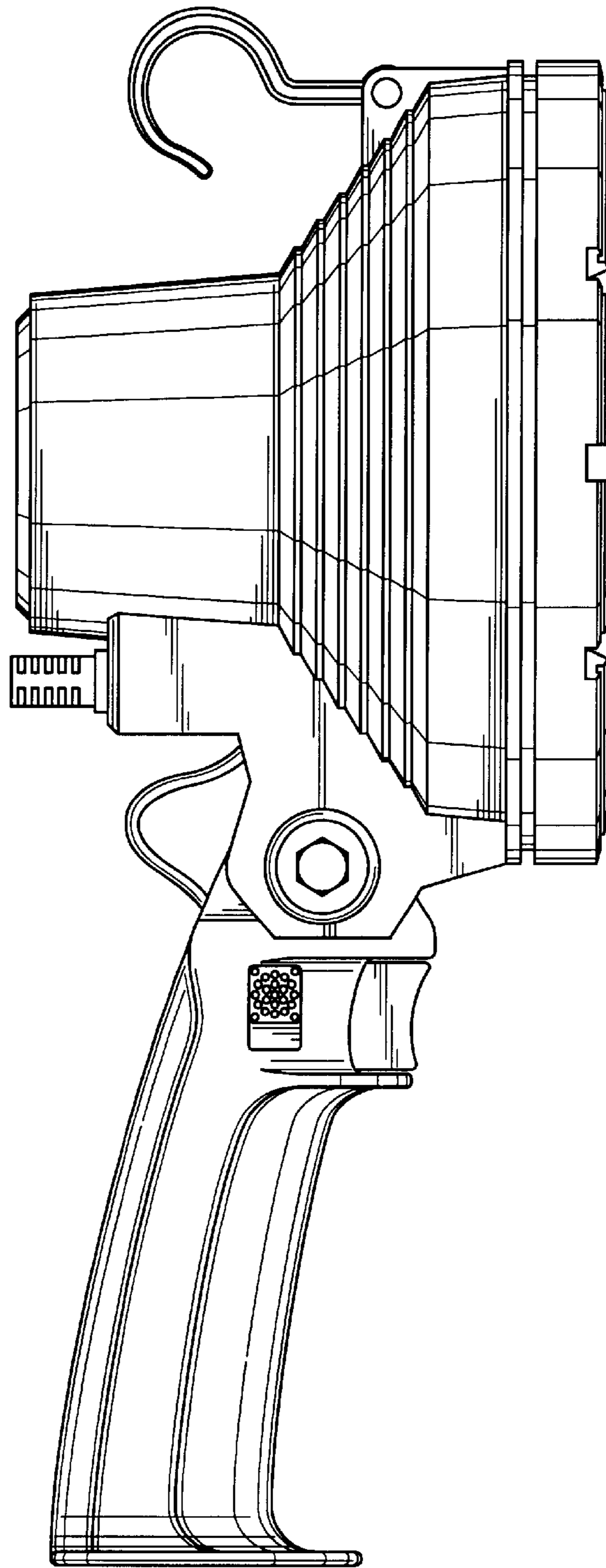


FIG. 4

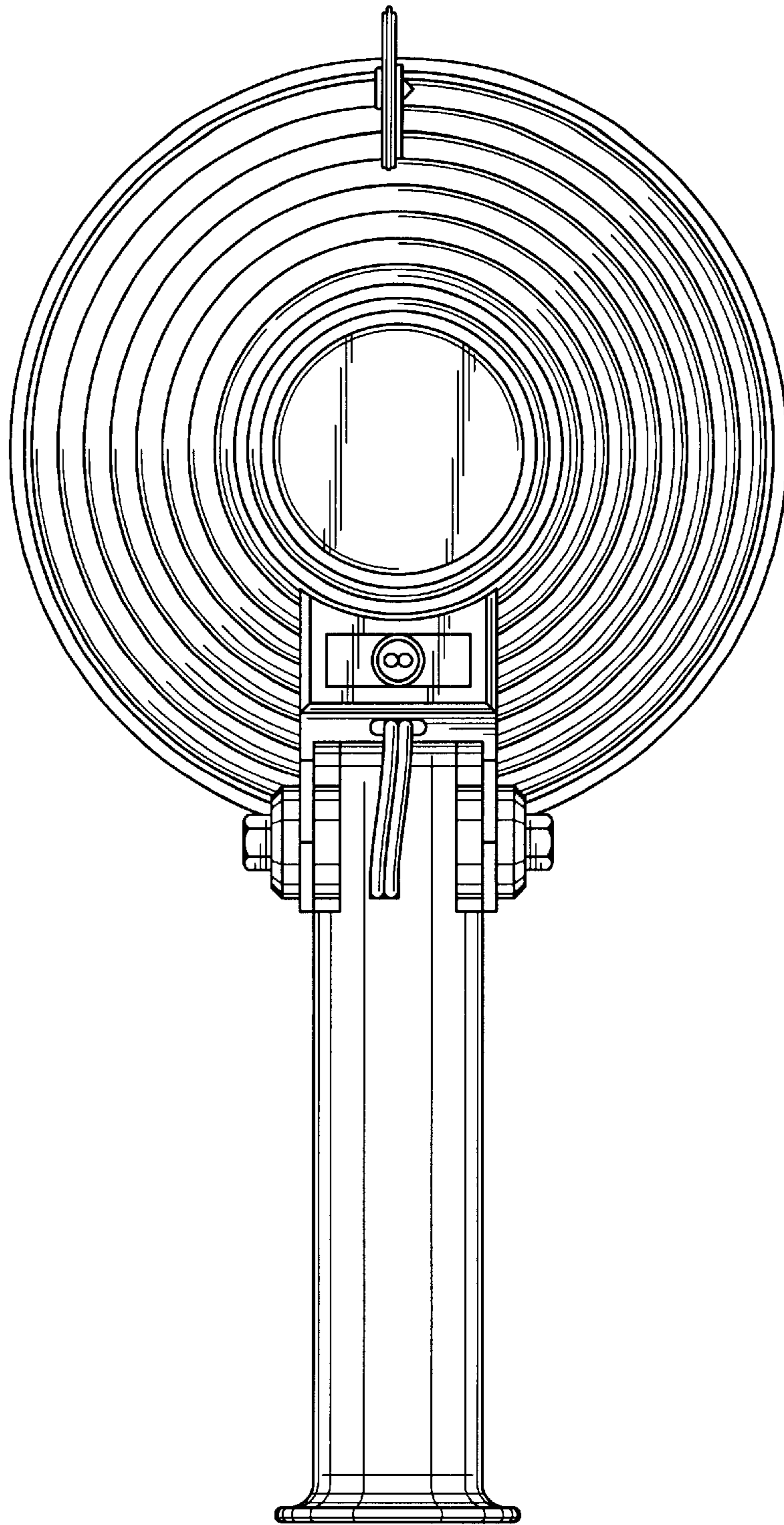


FIG. 5

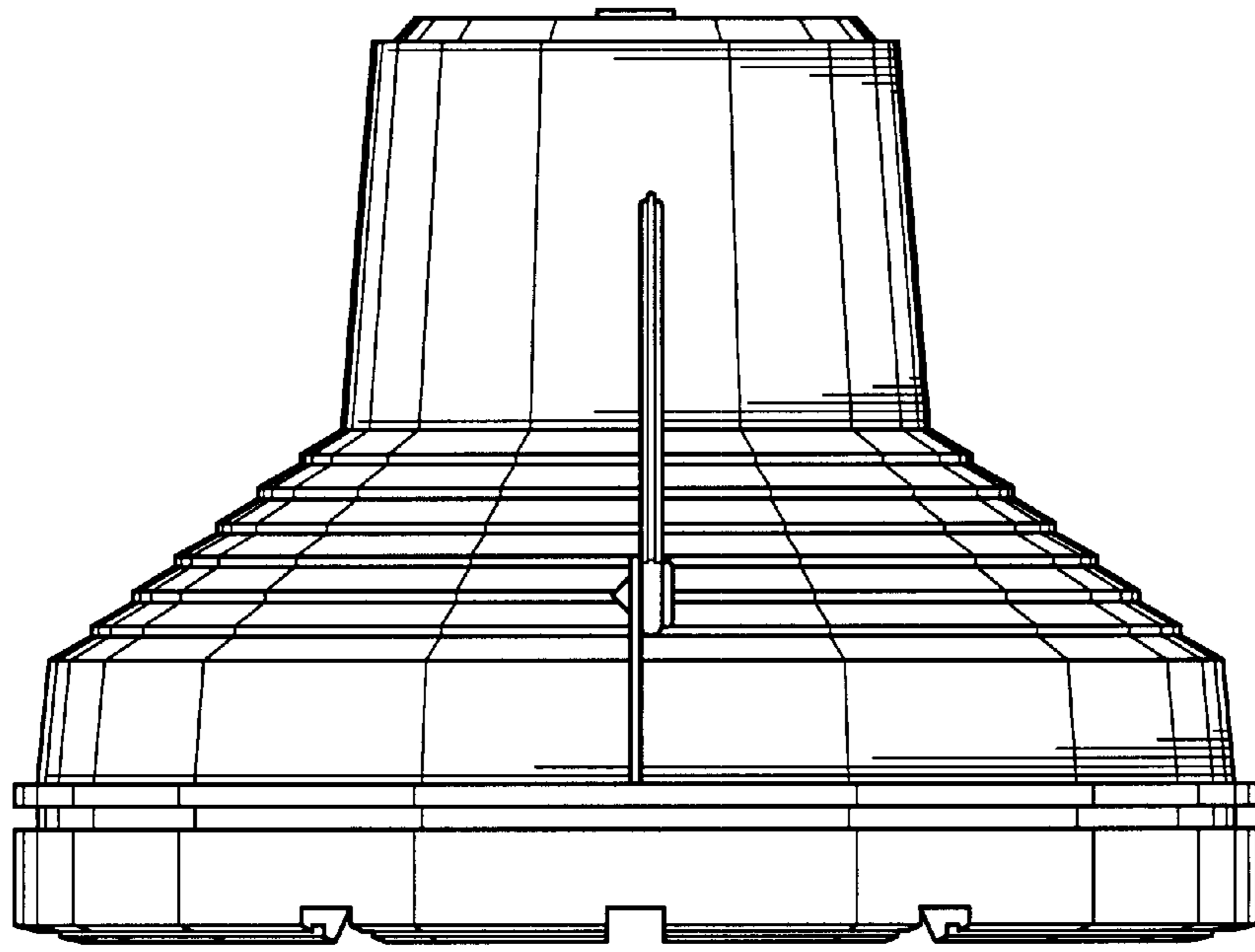


FIG. 6

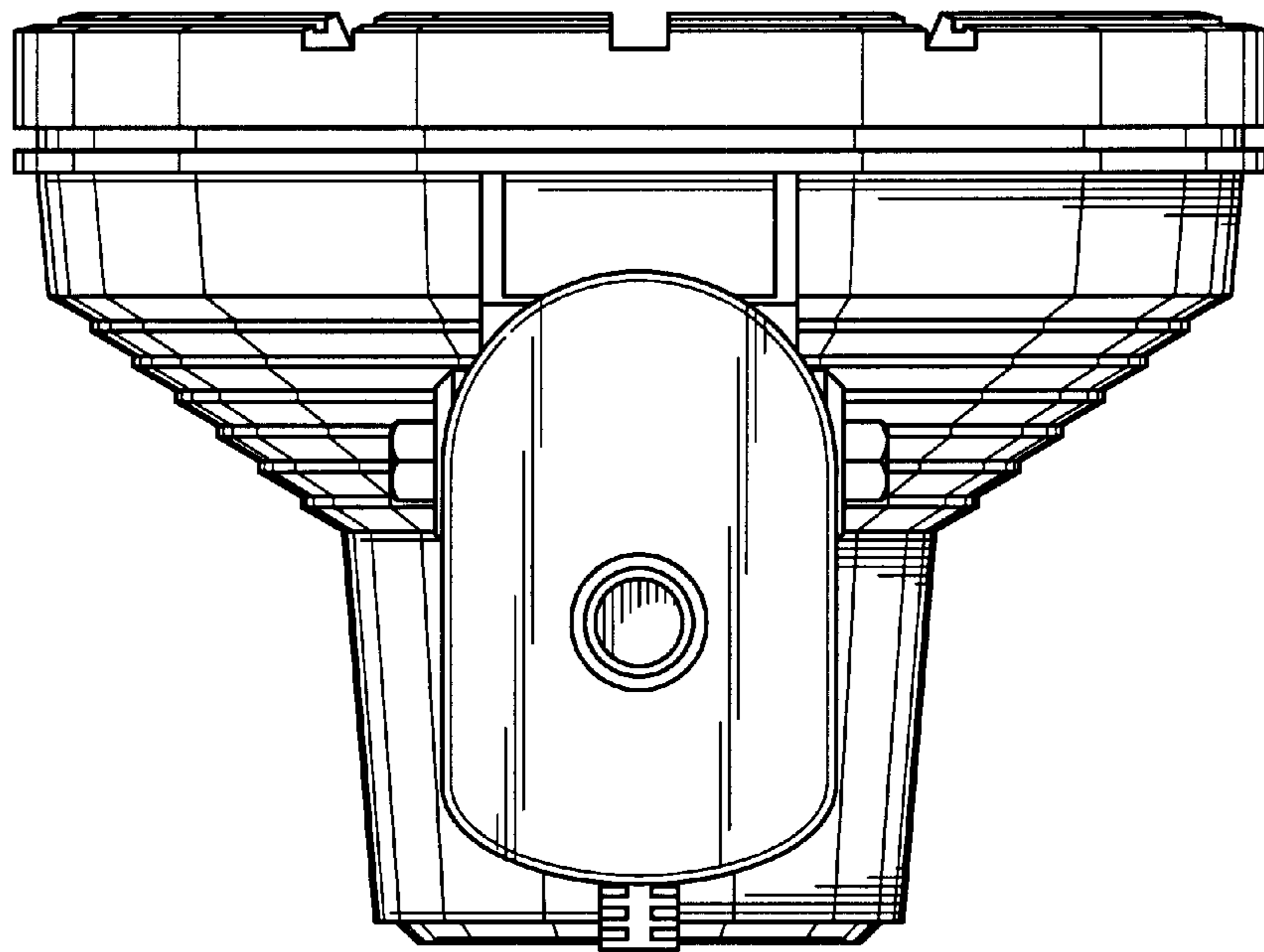


FIG. 7