



US00D461015S

(12) **United States Design Patent**
Biro

(10) **Patent No.:** **US D461,015 S**

(45) **Date of Patent:** **** Jul. 30, 2002**

(54) **ELONGATED FLOORING MEMBER,
FORMED AS AN INVERTED CHANNEL,
ATTACHED TO A WOODEN PLANK,
HAVING A NON-SLIP TREAD**

(75) Inventor: **Michael Julius Biro**, Boca Raton, FL
(US)

(73) Assignee: **Polymer Building Products, LLC**,
Pompano Beach, FL (US)

(**) Term: **14 Years**

(21) Appl. No.: **29/123,268**

(22) Filed: **May 15, 2000**

Related U.S. Application Data

(60) Continuation of application No. 09/228,734, filed on Jan. 12,
1999, now Pat. No. 6,062,844, which is a division of
application No. 09/079,665, filed on May 14, 1998, now Pat.
No. 5,904,011.

(51) **LOC (7) Cl.** **25-01**

(52) **U.S. Cl.** **D25/125; D25/121**

(58) **Field of Search** **D25/125, 121;**
52/190, 182, 181; 114/266

(56) **References Cited**

U.S. PATENT DOCUMENTS

4,078,515 A * 3/1978 Svirklys 114/266
4,907,387 A * 3/1990 Turnbull 52/181
D345,222 S * 3/1994 Hallsten et al. D25/125

5,642,592 A * 7/1997 Andres 52/177

* cited by examiner

Primary Examiner—Doris Clark

(74) *Attorney, Agent, or Firm*—Ronald V. Davidge

(57) **CLAIM**

The ornamental design for an elongated flooring member,
formed as an inverted channel, attached to a wooden plank,
having a non-slip tread, as shown and described.

DESCRIPTION

FIG. 1 is a left end elevation of the elongated flooring
member, formed as an inverted channel attached to a
wooden plank, having a non-slip tread, showing my new
design, the right end elevation being identical;

FIG. 2 is a top plan view thereof;

FIG. 3 is a front elevation thereof, the rear elevation being
identical;

FIG. 4 is a bottom plan view thereof;

FIG. 5 is a fragmentary plan view of a tread pattern on an
upper surface thereof;

FIG. 6 is a fragmentary transverse cross-sectional view of
the tread pattern taken along line 6—6 of FIG. 5;

FIG. 7 is a fragmentary longitudinal cross-sectional view of
the tread pattern taken along line 7—7 of FIG. 5; and,

FIG. 8 is a perspective view of the elongated flooring
member, formed as an inverted channel attached to a
wooden plank, having a non-slip tread, of FIG. 1.

FIGS. 2—4 and 8 are shown broken away to indicate inde-
terminate length.

1 Claim, 3 Drawing Sheets

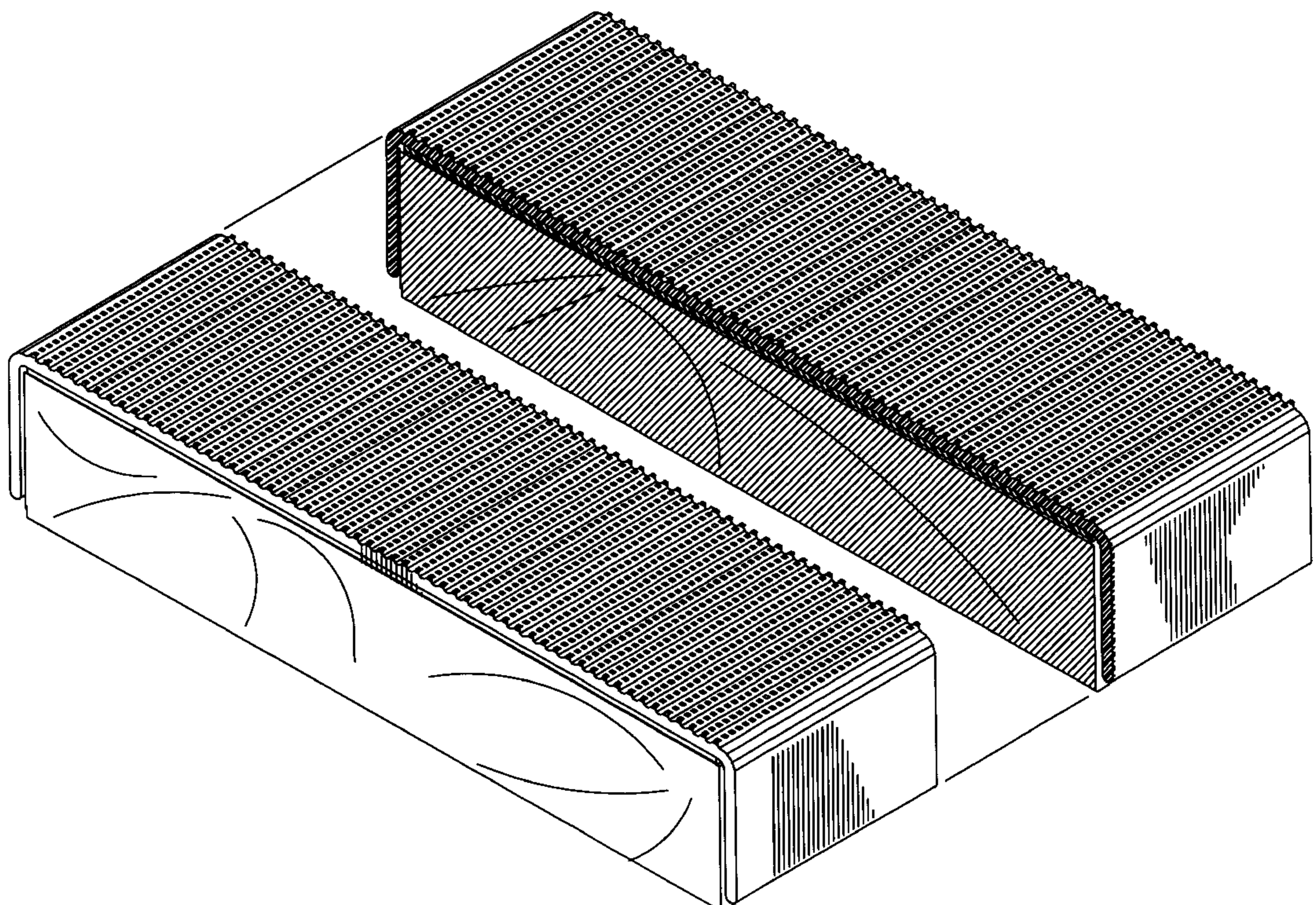


FIG. 1

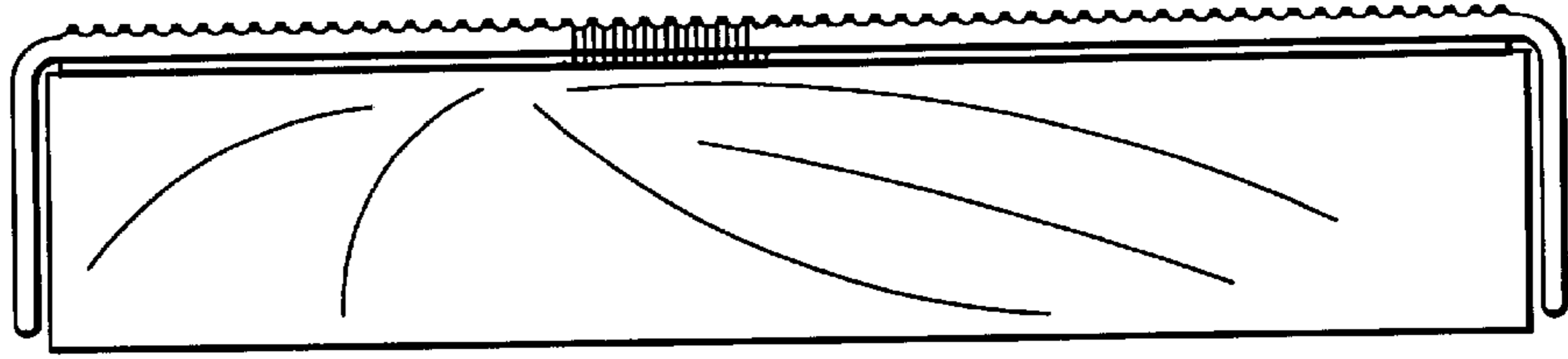


FIG. 2

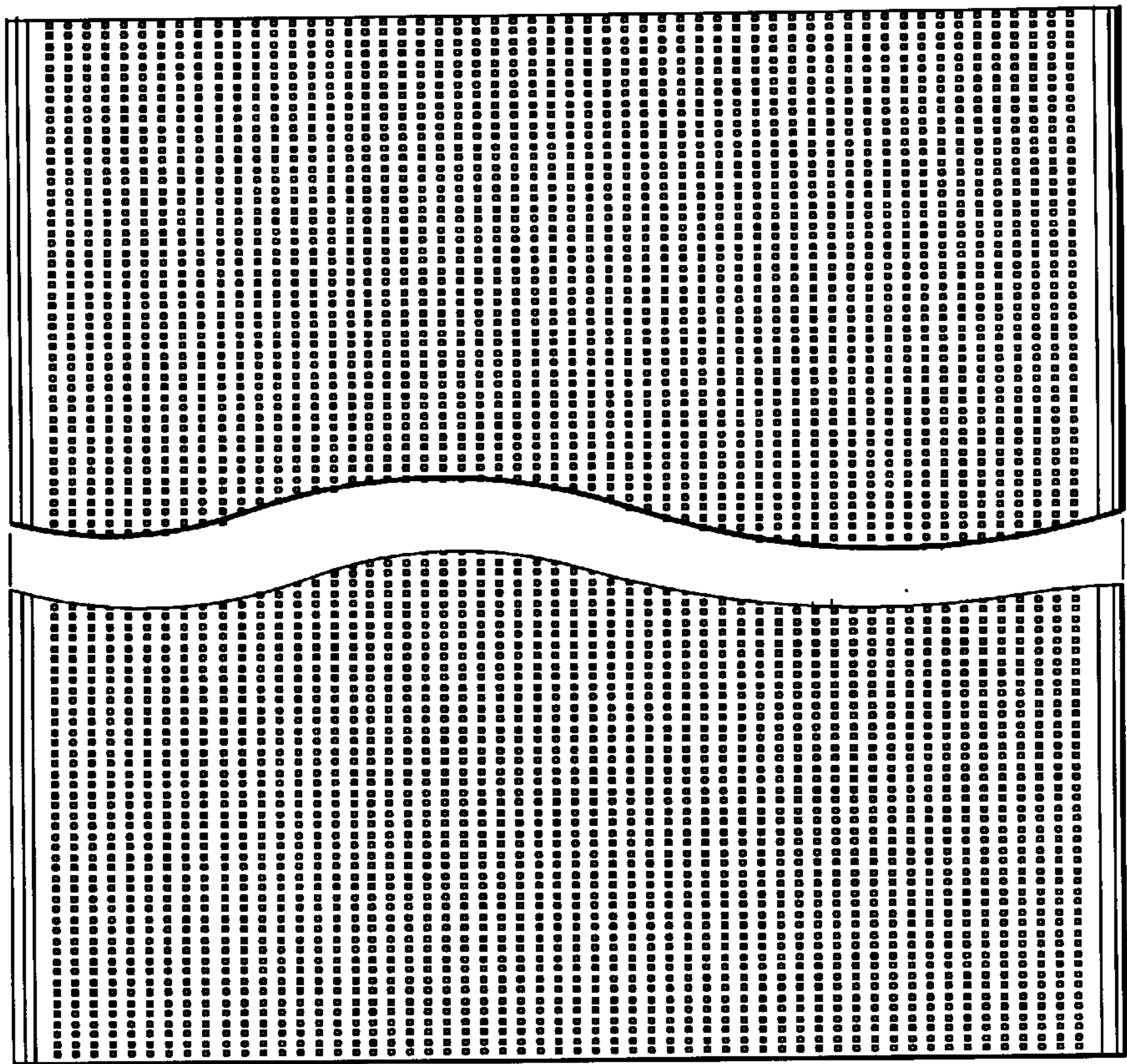
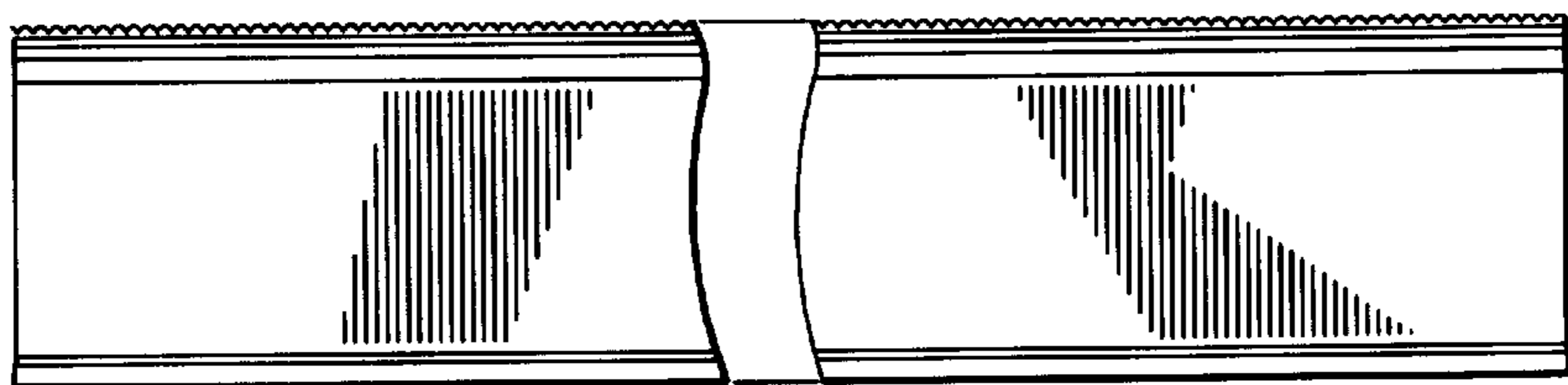


FIG. 3



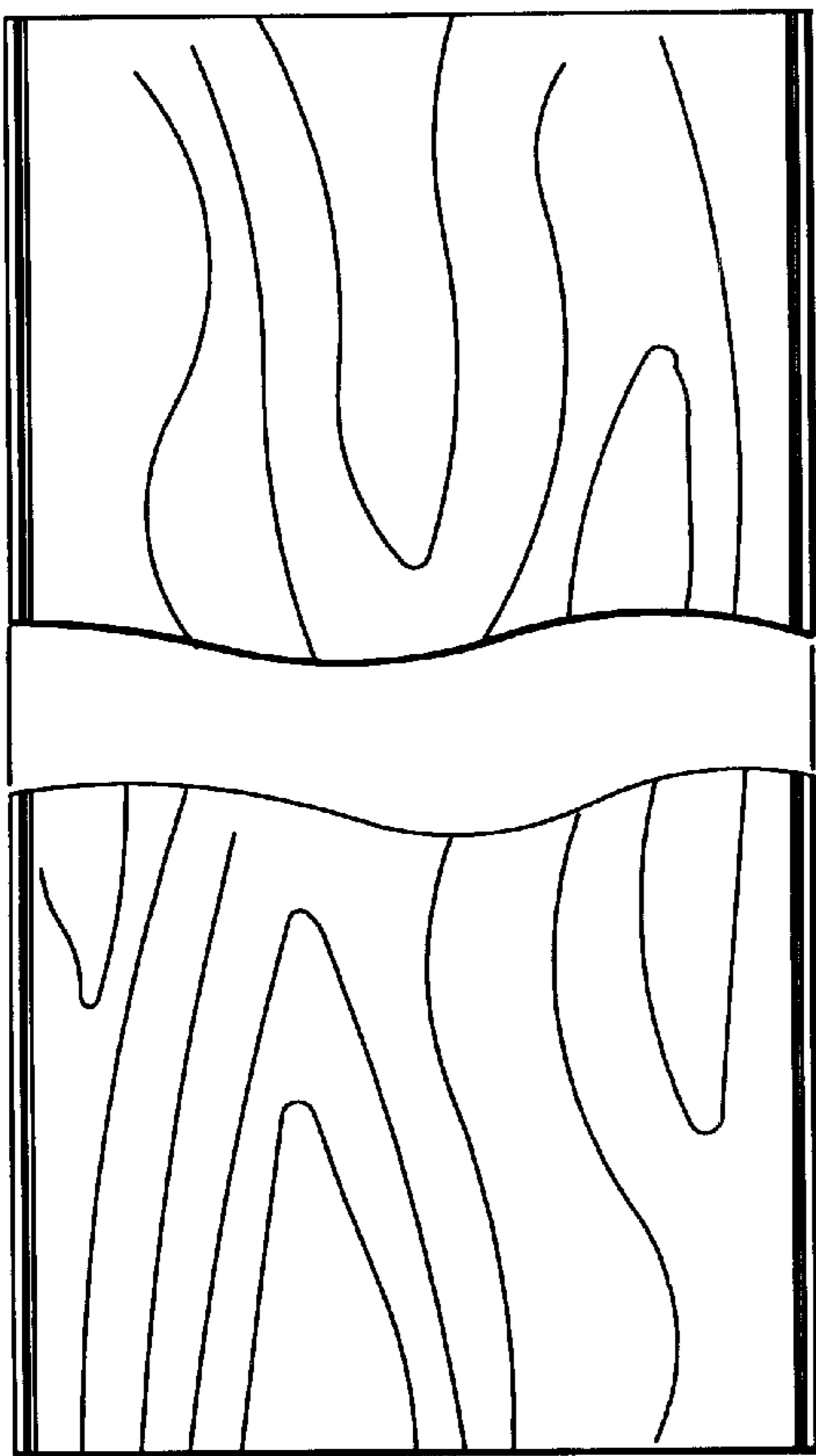


FIG. 4

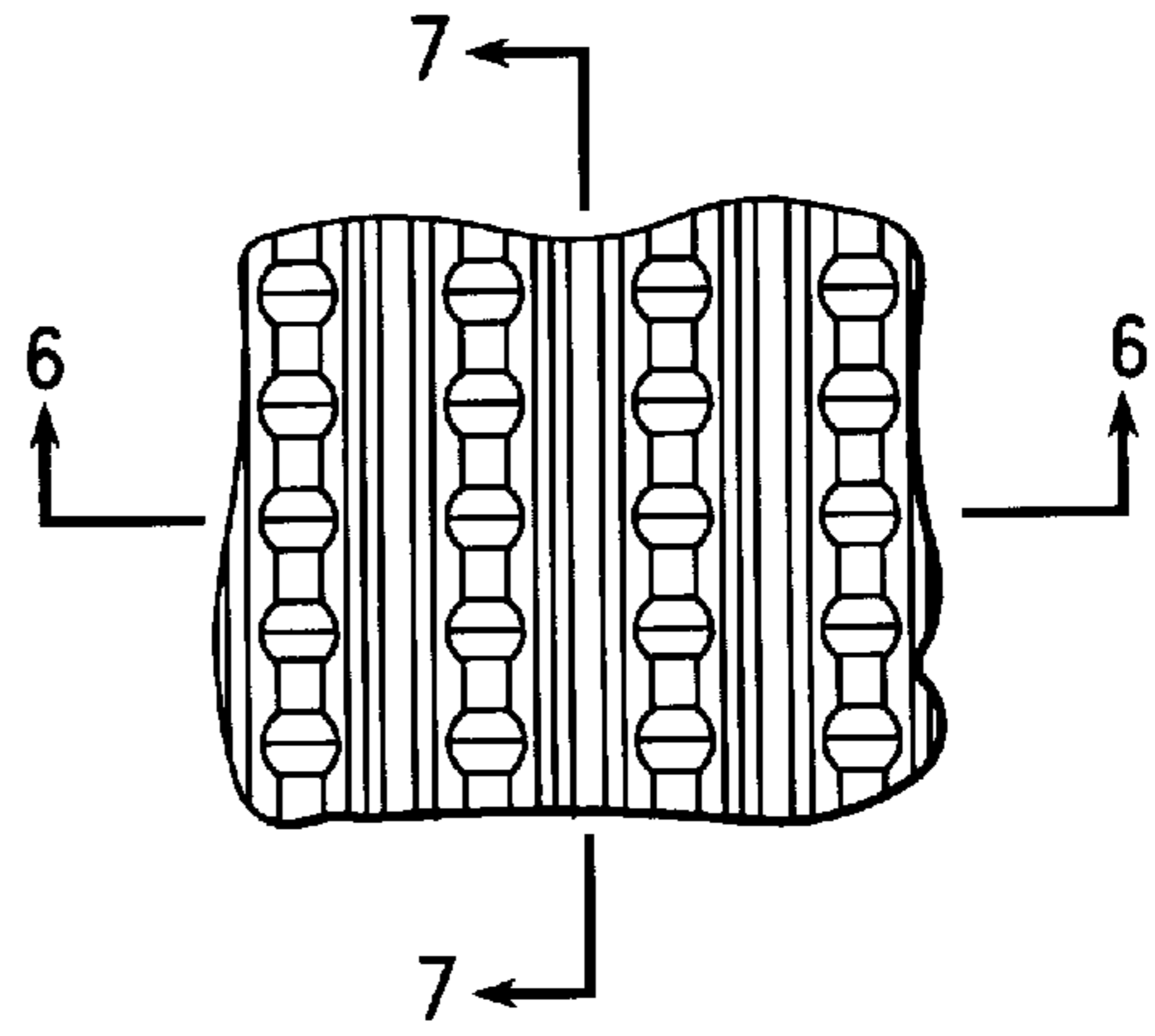


FIG. 5

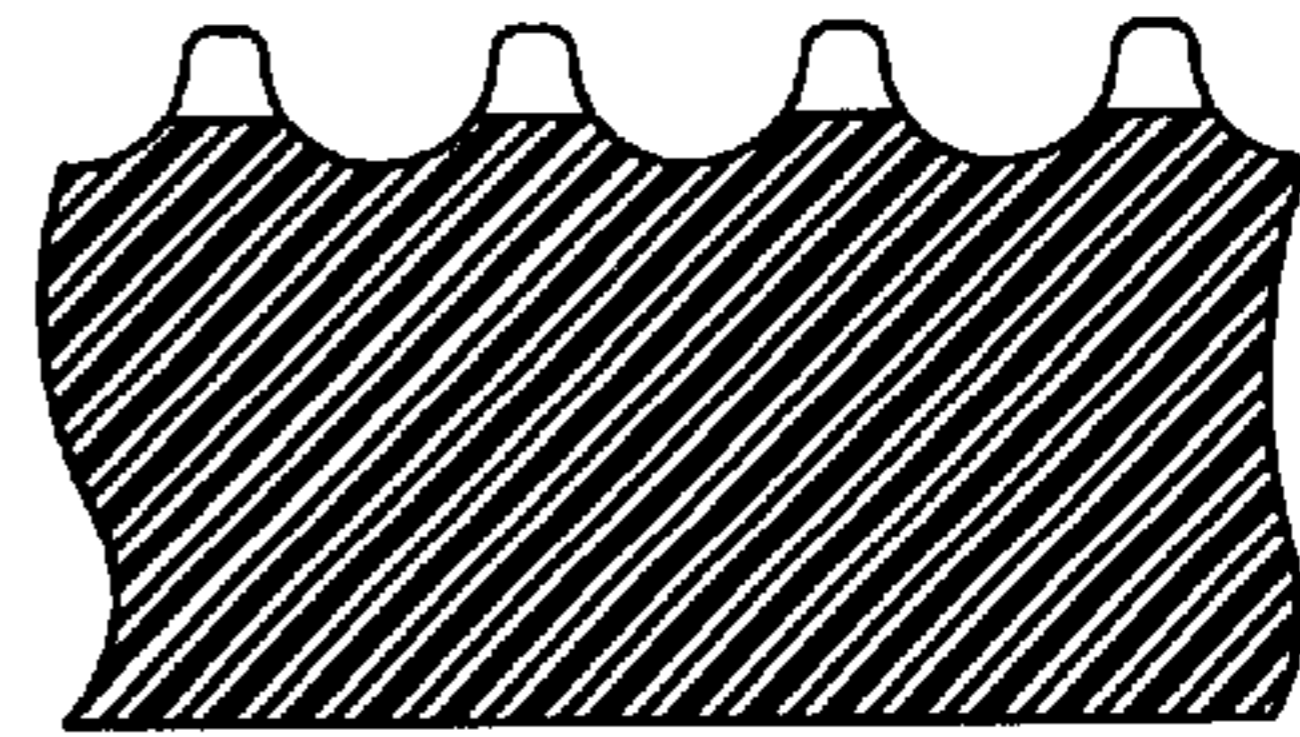


FIG. 6

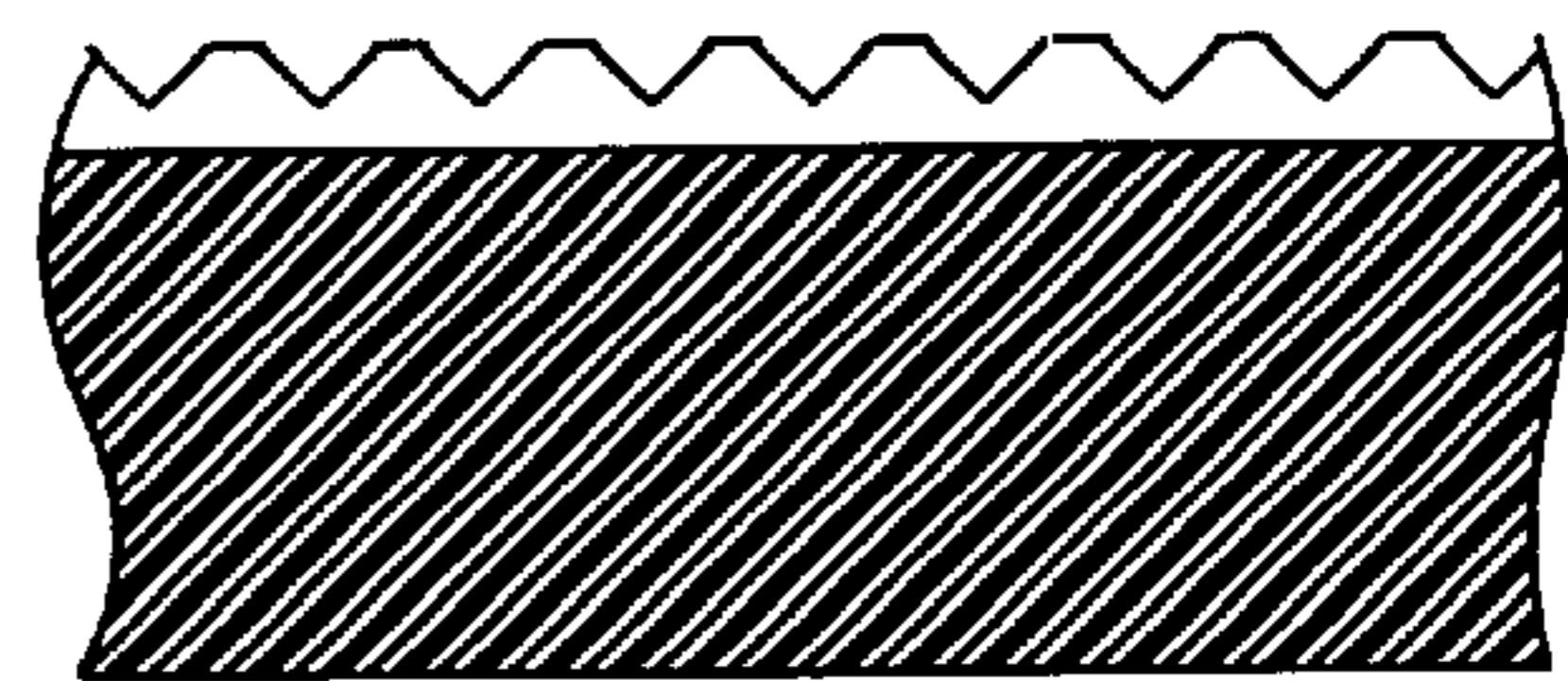


FIG. 7

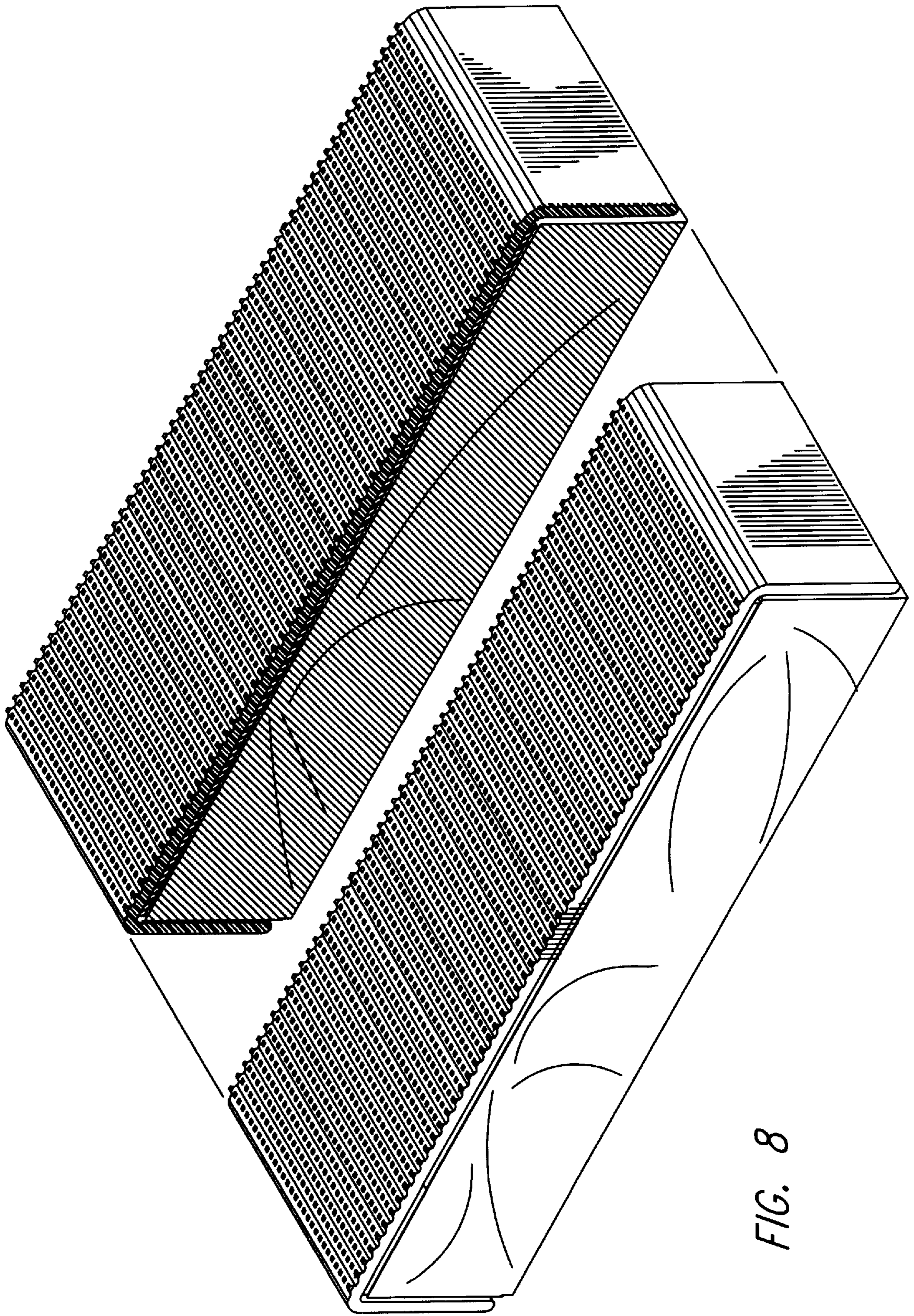


FIG. 8