



US00D461013S

(12) **United States Design Patent**
Marshall

(10) **Patent No.:** **US D461,013 S**

(45) **Date of Patent:** **** Jul. 30, 2002**

(54) **WINDOW COMPONENT EXTRUSION**

D444,894 S 7/2001 Marshall
D447,576 S 9/2001 Marshall et al.
D448,864 S 10/2001 Marshall

(75) Inventor: **Philip Marshall**, Pittsburgh, PA (US)

(73) Assignee: **Chelsea Building Products, Inc.**,
Oakmont, PA (US)

* cited by examiner

(**) Term: **14 Years**

Primary Examiner—Doris Clark

(74) *Attorney, Agent, or Firm*—Buchanan Ingersoll, P.C.

(21) Appl. No.: **29/144,778**

(57) **CLAIM**

(22) Filed: **Jul. 10, 2001**

The ornamental design for a window component extrusion,
as shown and described.

(51) **LOC (7) Cl.** **25-01**

DESCRIPTION

(52) **U.S. Cl.** **D25/124**

(58) **Field of Search** 52/204.5, 204.55,
52/204.56, 204.597, 204.6, 204.61, 204.63,
204.71, 656.7, 656.2, 656.5; 49/504, 505;
D25/124, 125

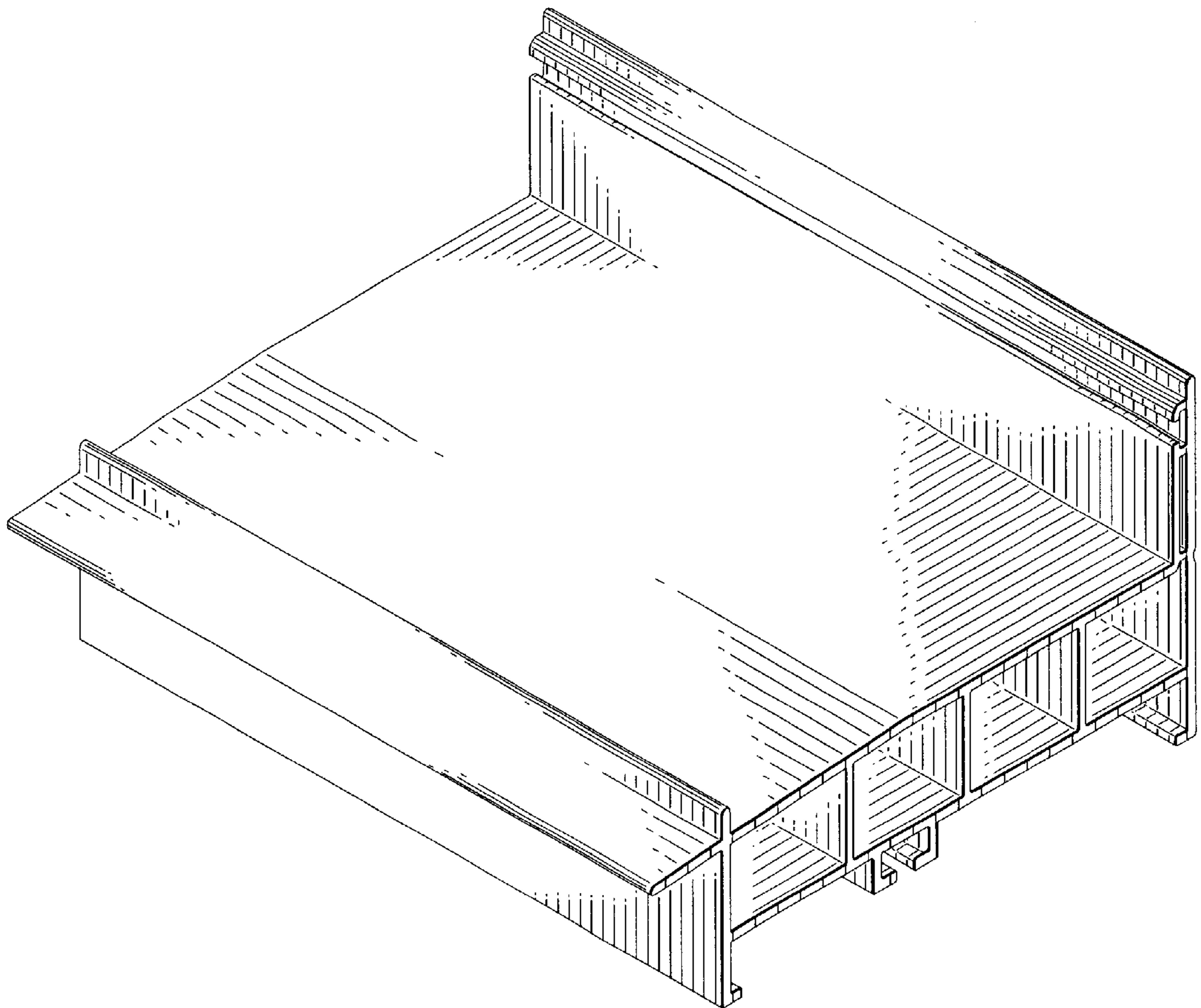
FIG. 1 is a perspective view of a window component
extrusion showing my new design;
FIG. 2 is a front elevational view thereof;
FIG. 3 is a rear elevational view thereof;
FIG. 4 is a right side elevational view thereof;
FIG. 5 is a top plan view thereof; and,
FIG. 6 is a bottom plan view thereof.

(56) **References Cited**

U.S. PATENT DOCUMENTS

D343,239 S * 1/1994 Moss et al. D25/124

1 Claim, 3 Drawing Sheets



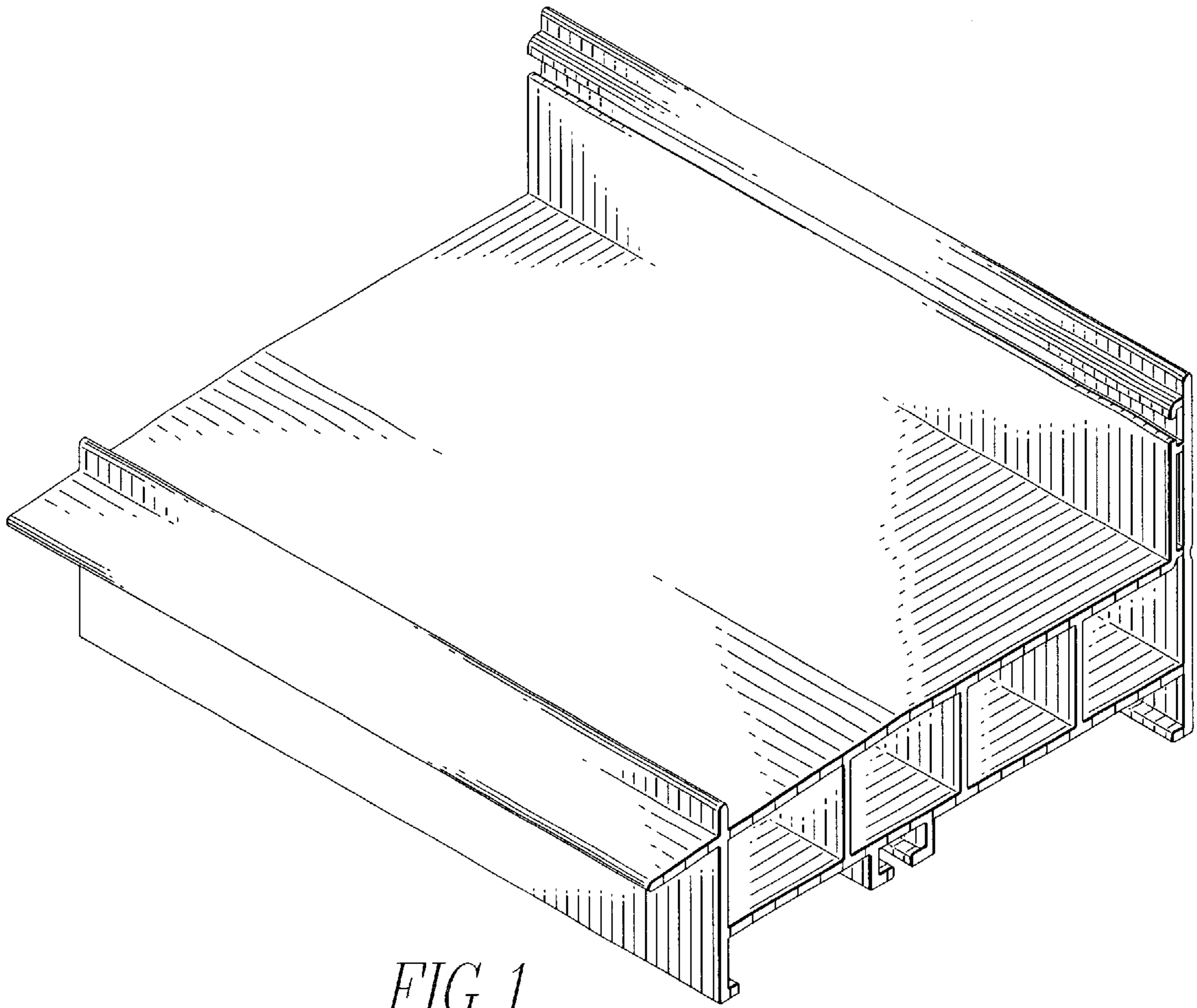


FIG. 1

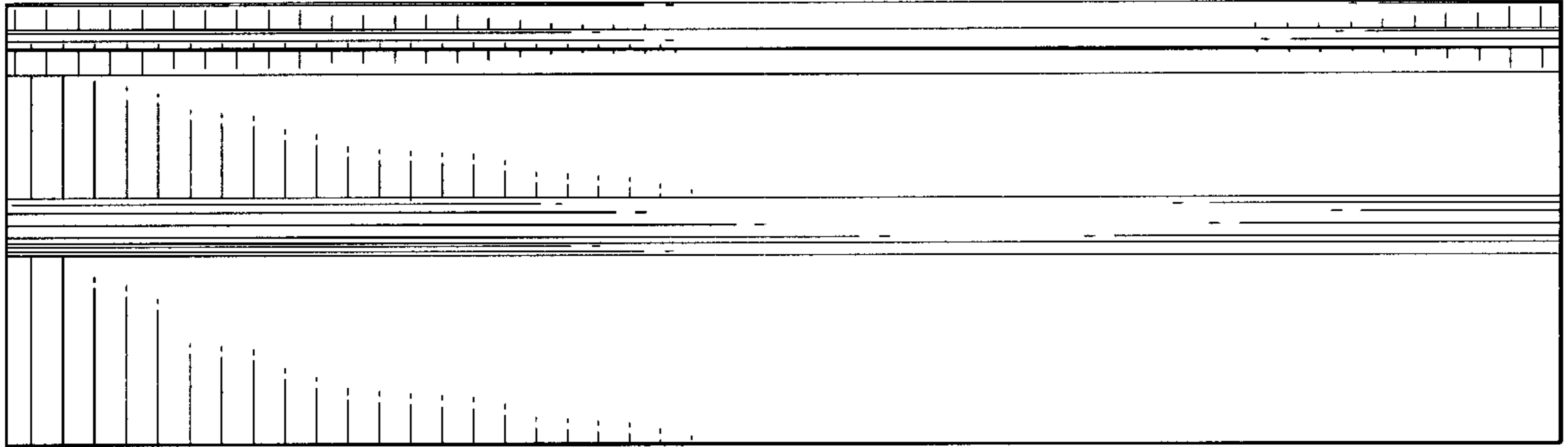


FIG. 2

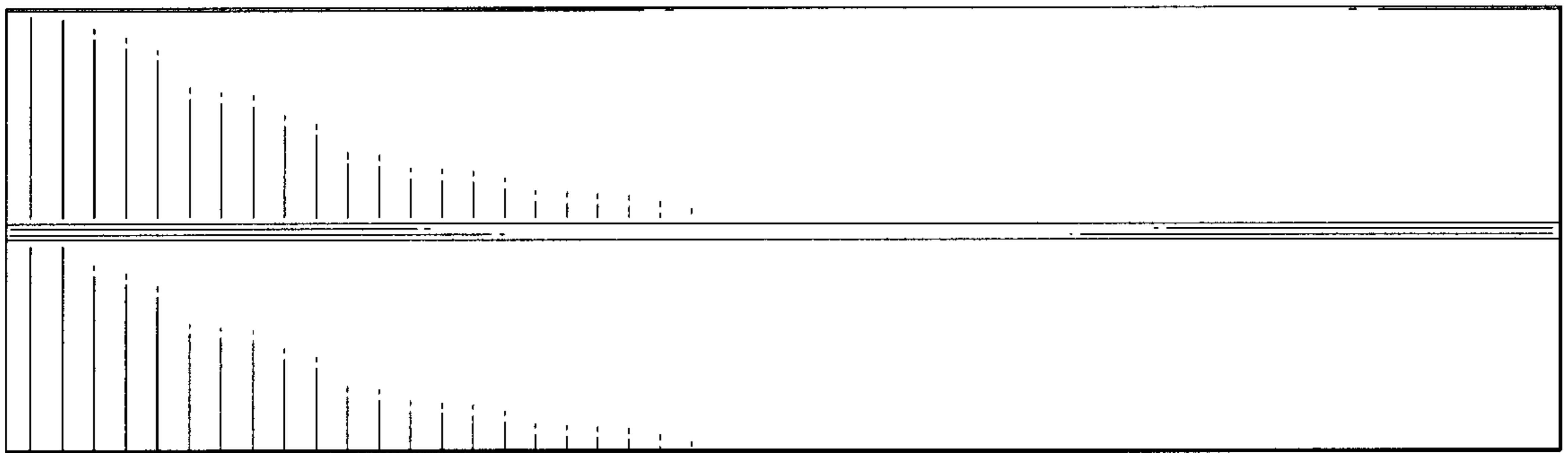


FIG. 3

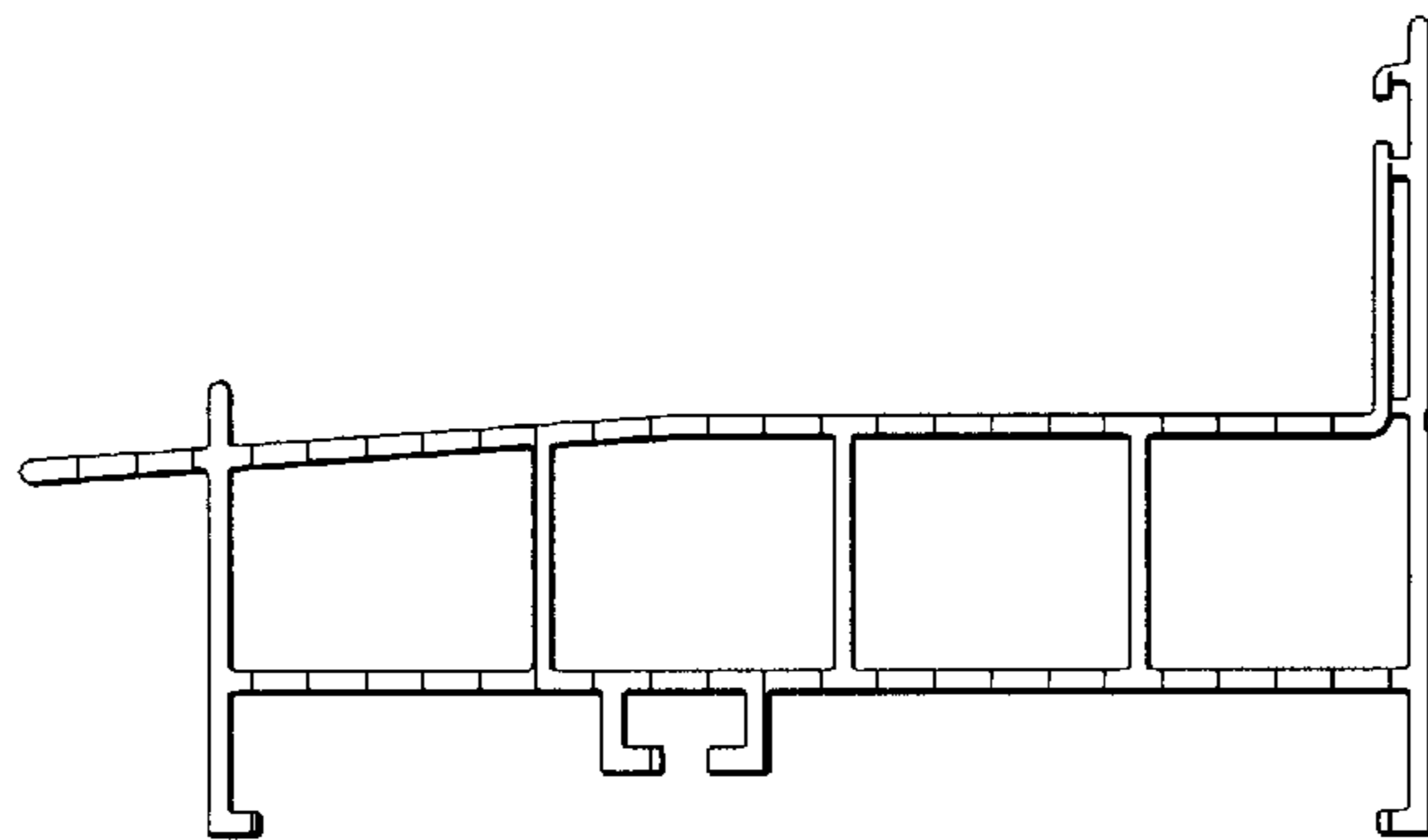


FIG. 4

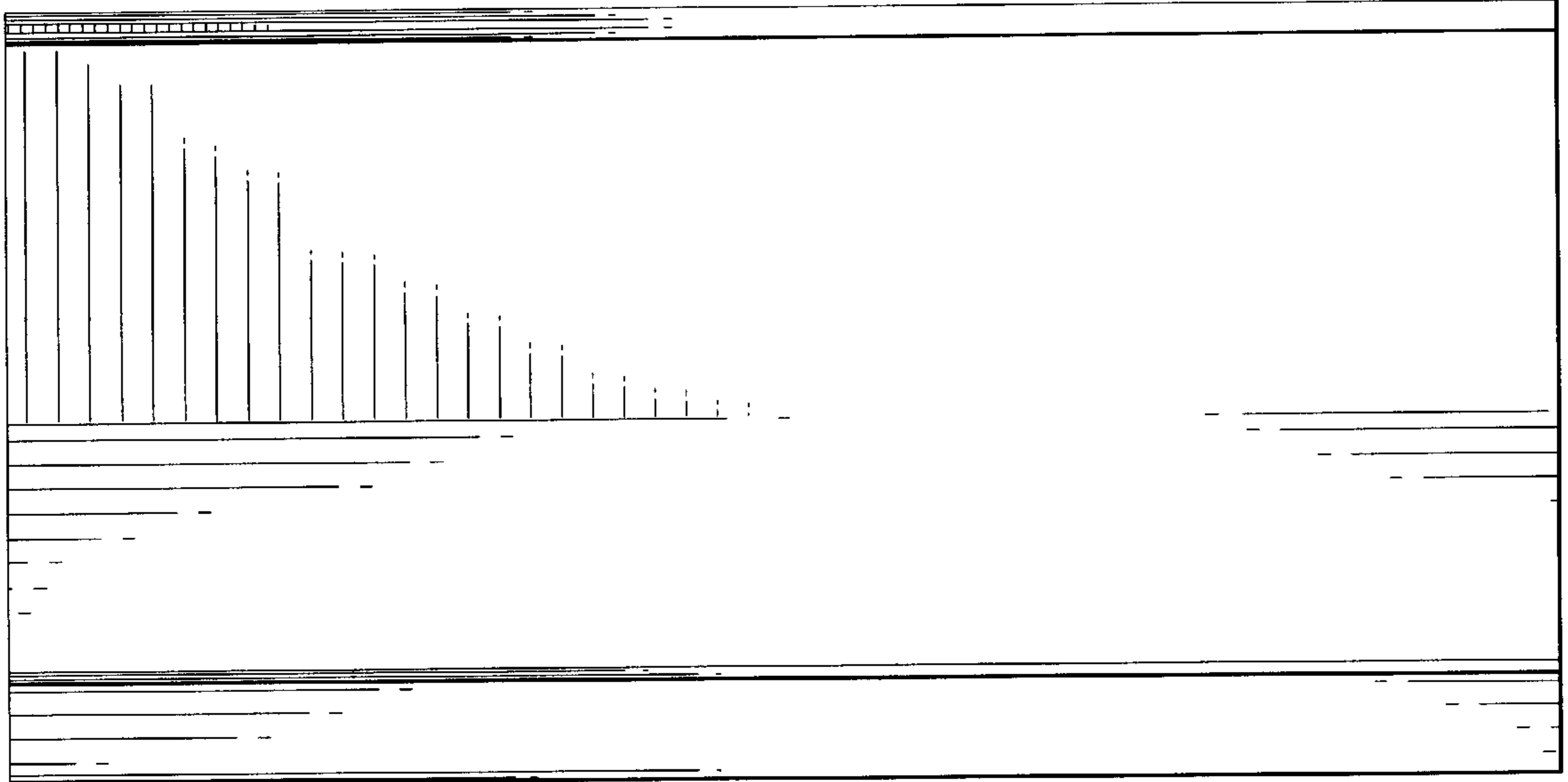


FIG. 5

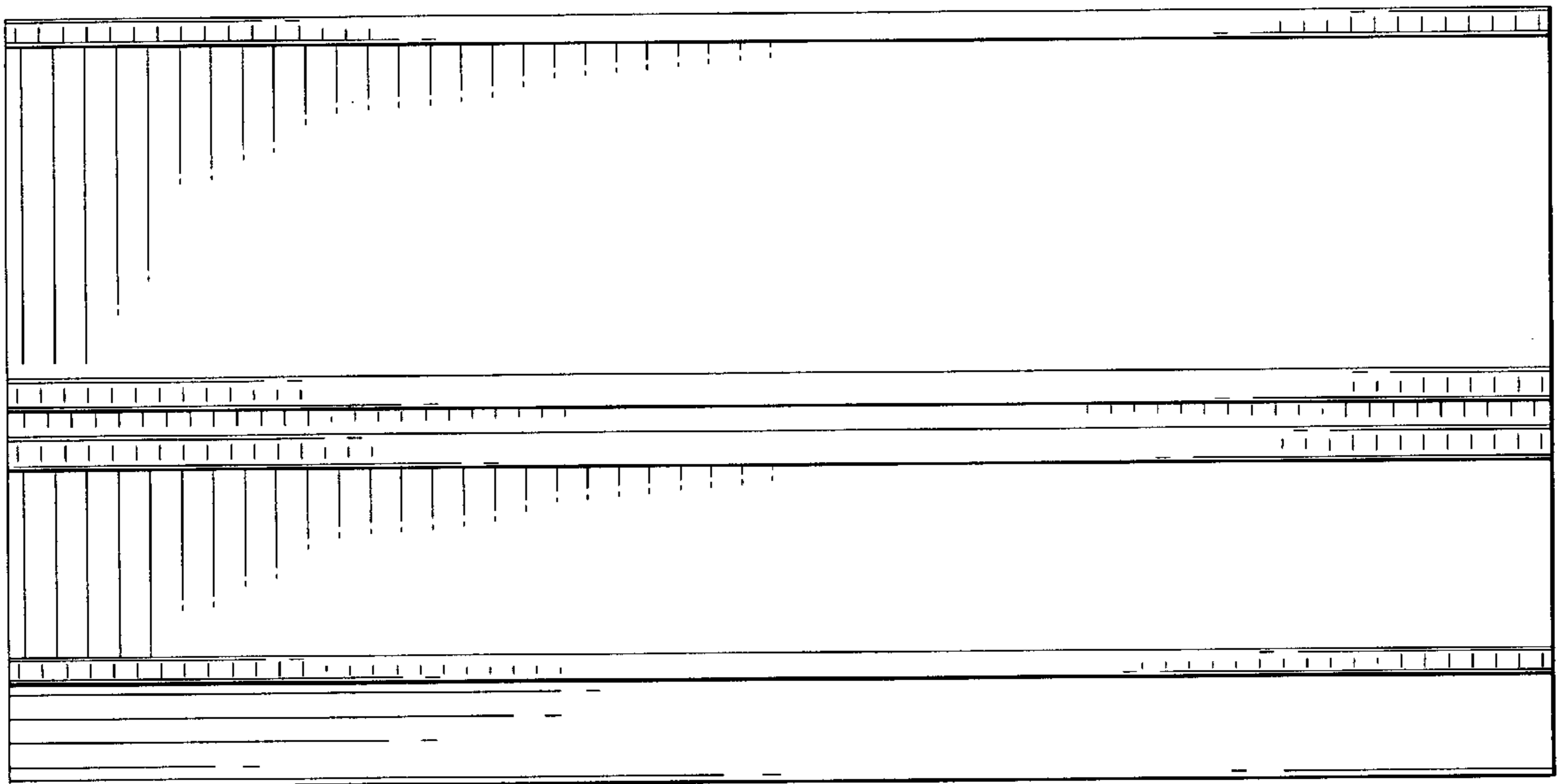


FIG. 6