



US00D461001S

(12) **United States Design Patent**
Hensley et al.

(10) **Patent No.:** **US D461,001 S**

(45) **Date of Patent:** **** Jul. 30, 2002**

(54) **SEWER CAP**

5,062,735 A * 11/1991 Gaudin 404/25
5,507,590 A * 4/1996 Argandona 404/25

(76) Inventors: **Gerald M. Hensley; Jerry C. Hensley,**
both of P.O. Box 91297, Lakeland, FL
(US) 33804

* cited by examiner

(**) Term: **14 Years**

Primary Examiner—Robin V. Taylor

(74) *Attorney, Agent, or Firm*—George A. Bode; Bode &
Associates

(21) Appl. No.: **29/146,625**

(57) **CLAIM**

(22) Filed: **May 31, 2001**

The ornamental design for a sewer cap, as shown and
described.

(51) **LOC (7) Cl.** **23-01**

(52) **U.S. Cl.** **D23/260**

(58) **Field of Search** D23/260, 261,
D23/262; 404/25, 26; 137/371; 166/92.1,
94.1

DESCRIPTION

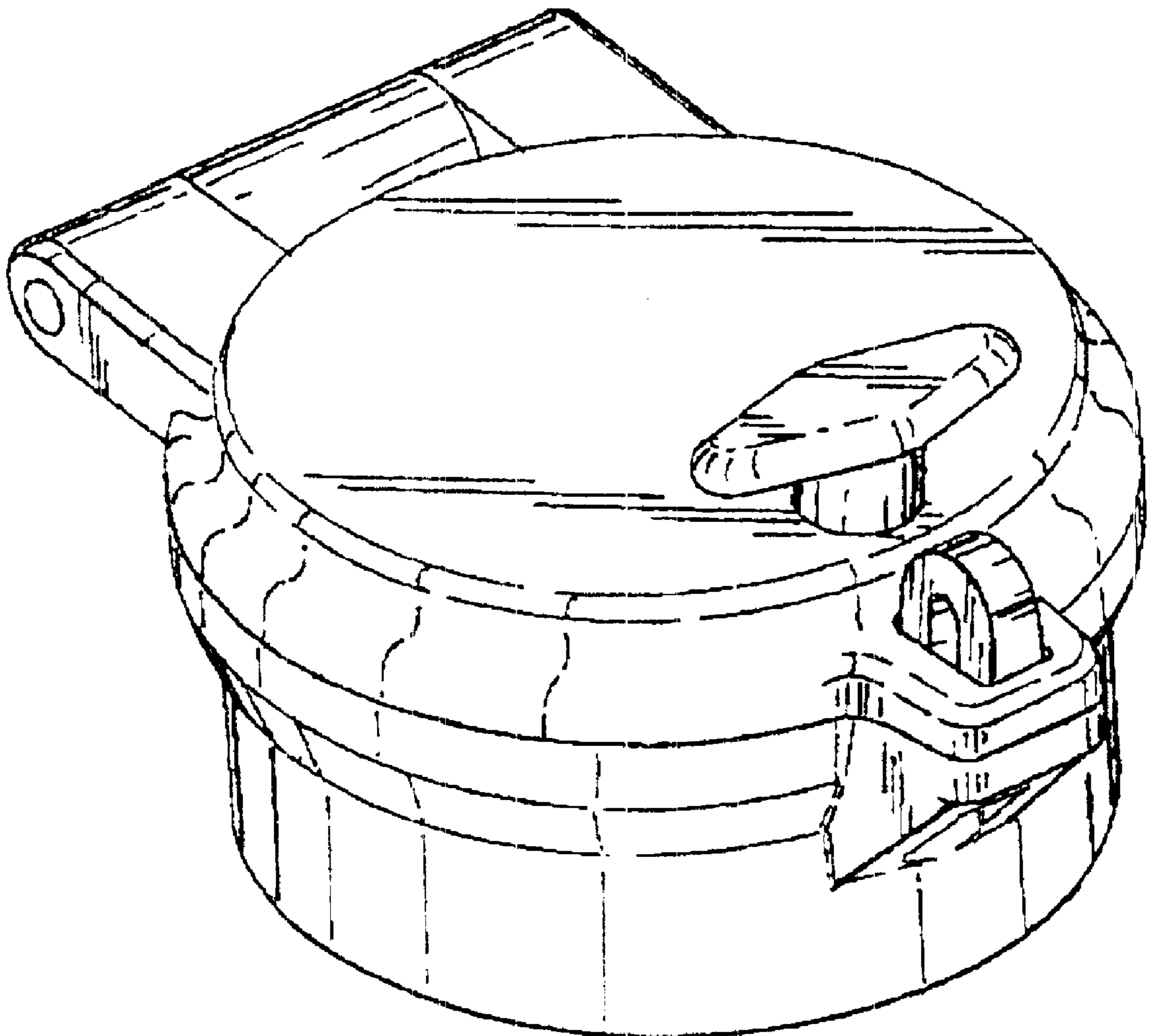
FIG. 1 is a top, front and left side perspective view of a
sewer cap showing our new design;
FIG. 2 is a right side elevational view thereof; the left side
view being a mirror of that shown;
FIG. 3 is a rear elevational view thereof;
FIG. 4 is a front elevational view thereof;
FIG. 5 is a top plan view thereof; and,
FIG. 6 is a bottom plan view thereof.

(56) **References Cited**

U.S. PATENT DOCUMENTS

4,682,907 A * 7/1987 Gaudin 404/25
4,881,597 A * 11/1989 Hensley 166/92.1
D317,271 S * 6/1991 Hensley D23/261
D318,321 S * 7/1991 Wigle D23/262

1 Claim, 3 Drawing Sheets



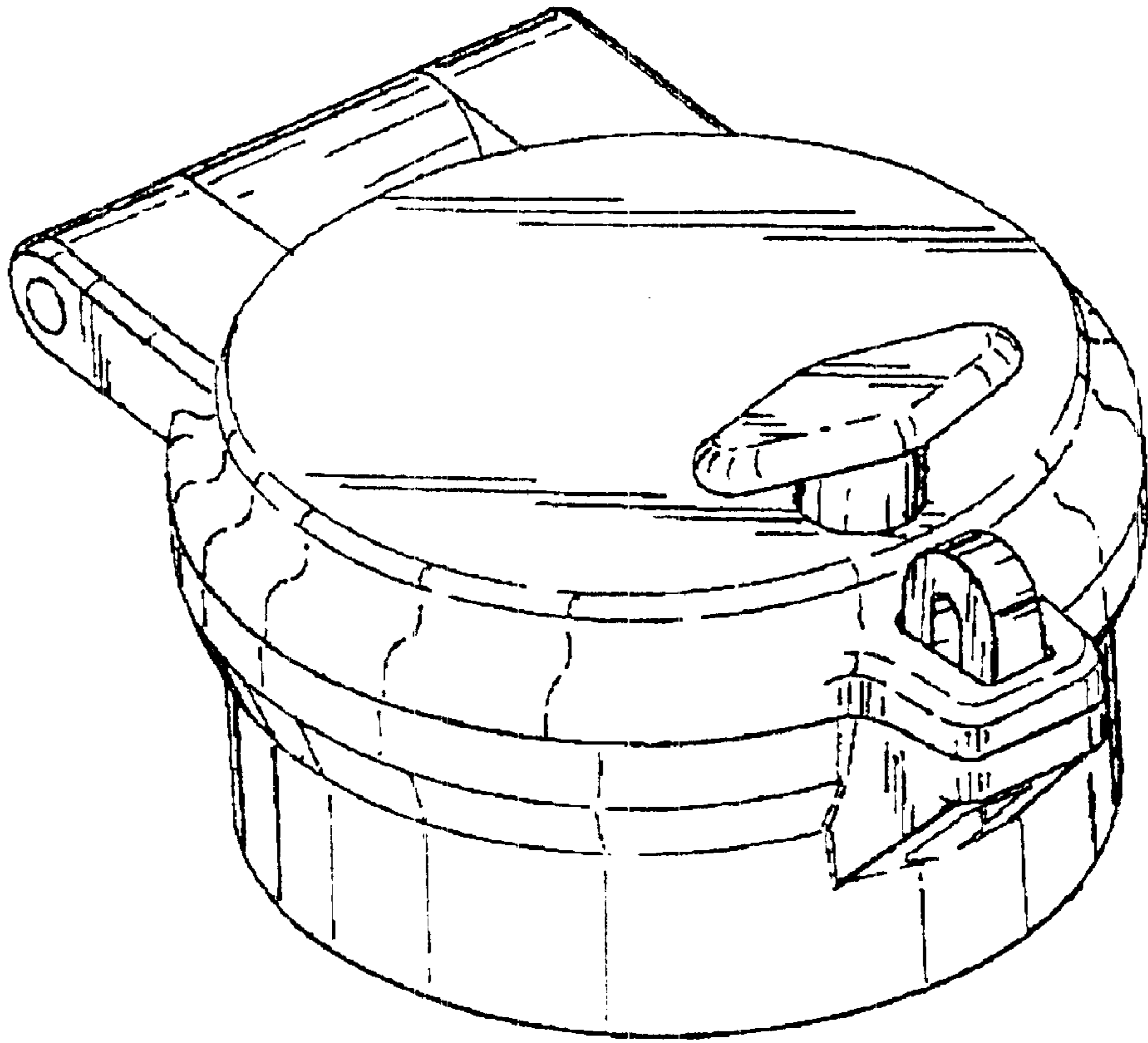


FIG. 1

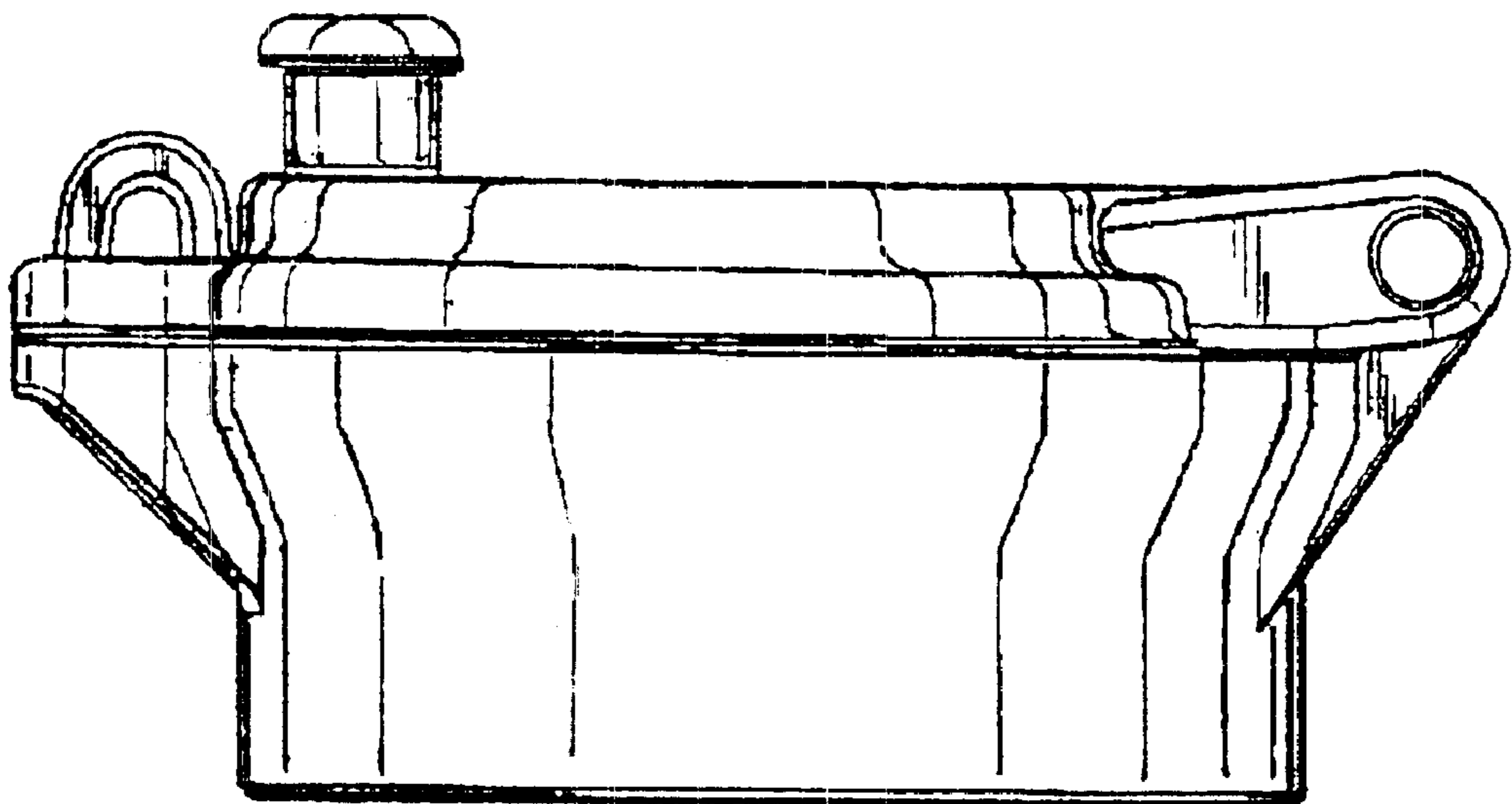


FIG. 2

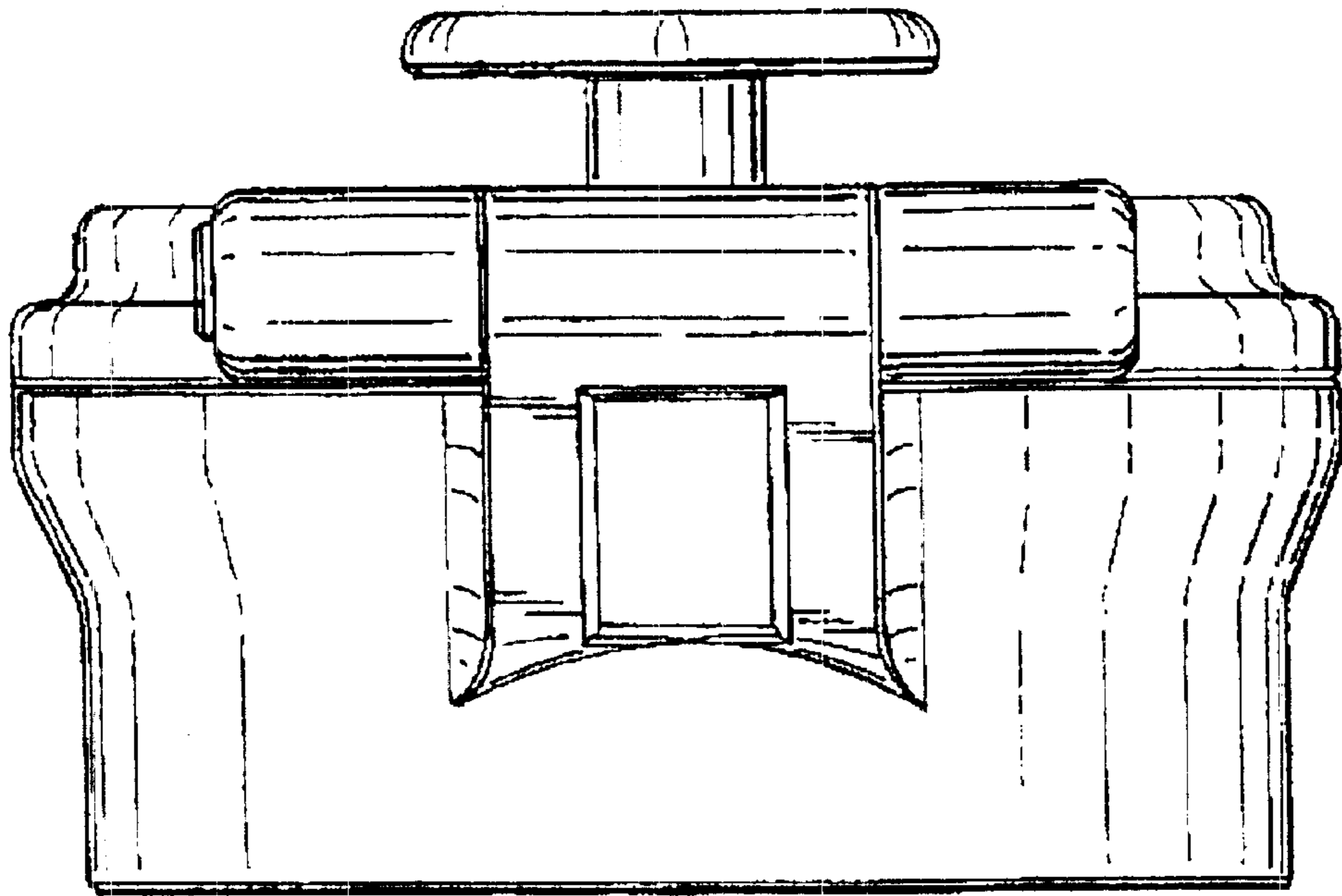


FIG. 3

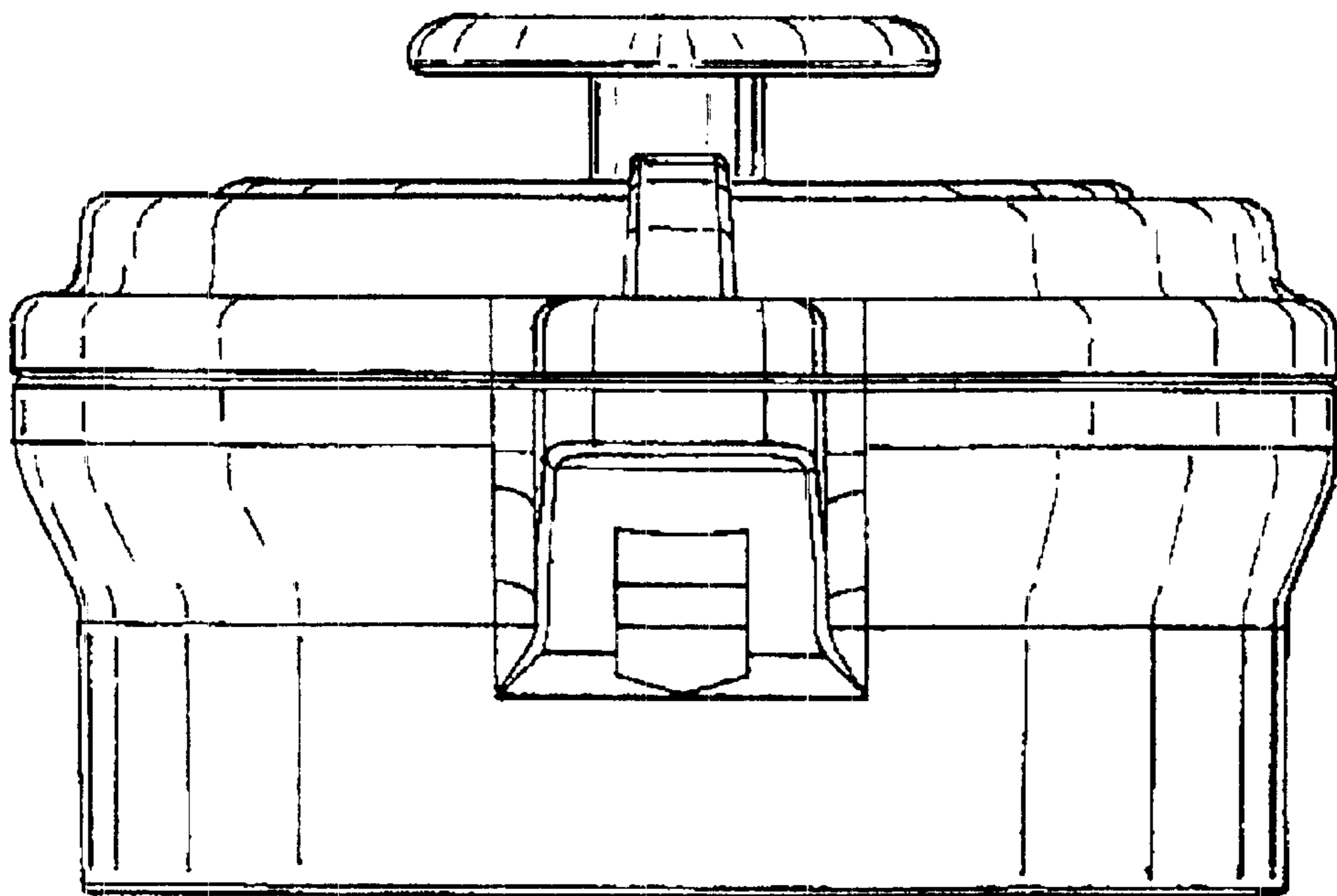


FIG 4

FIG. 5

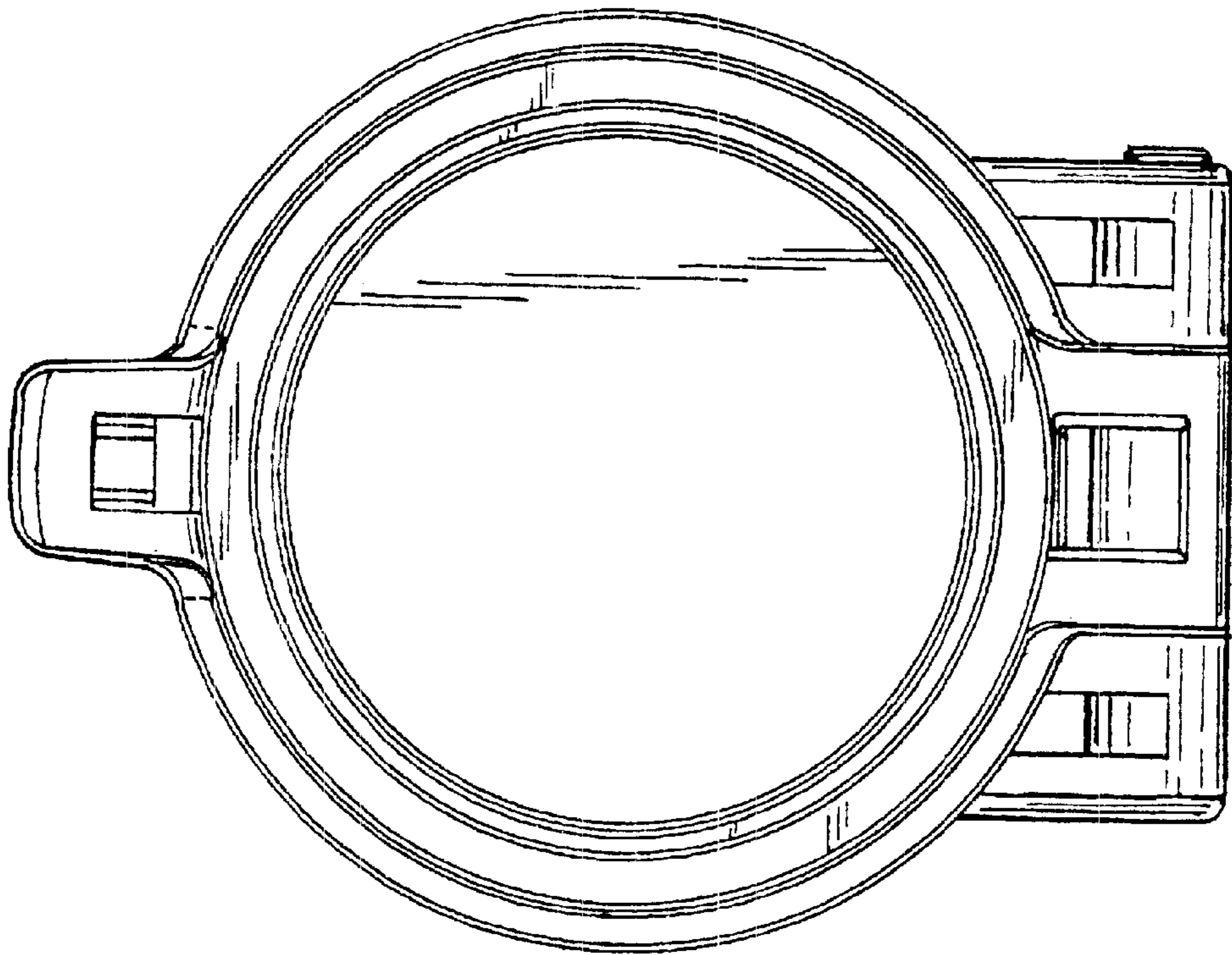
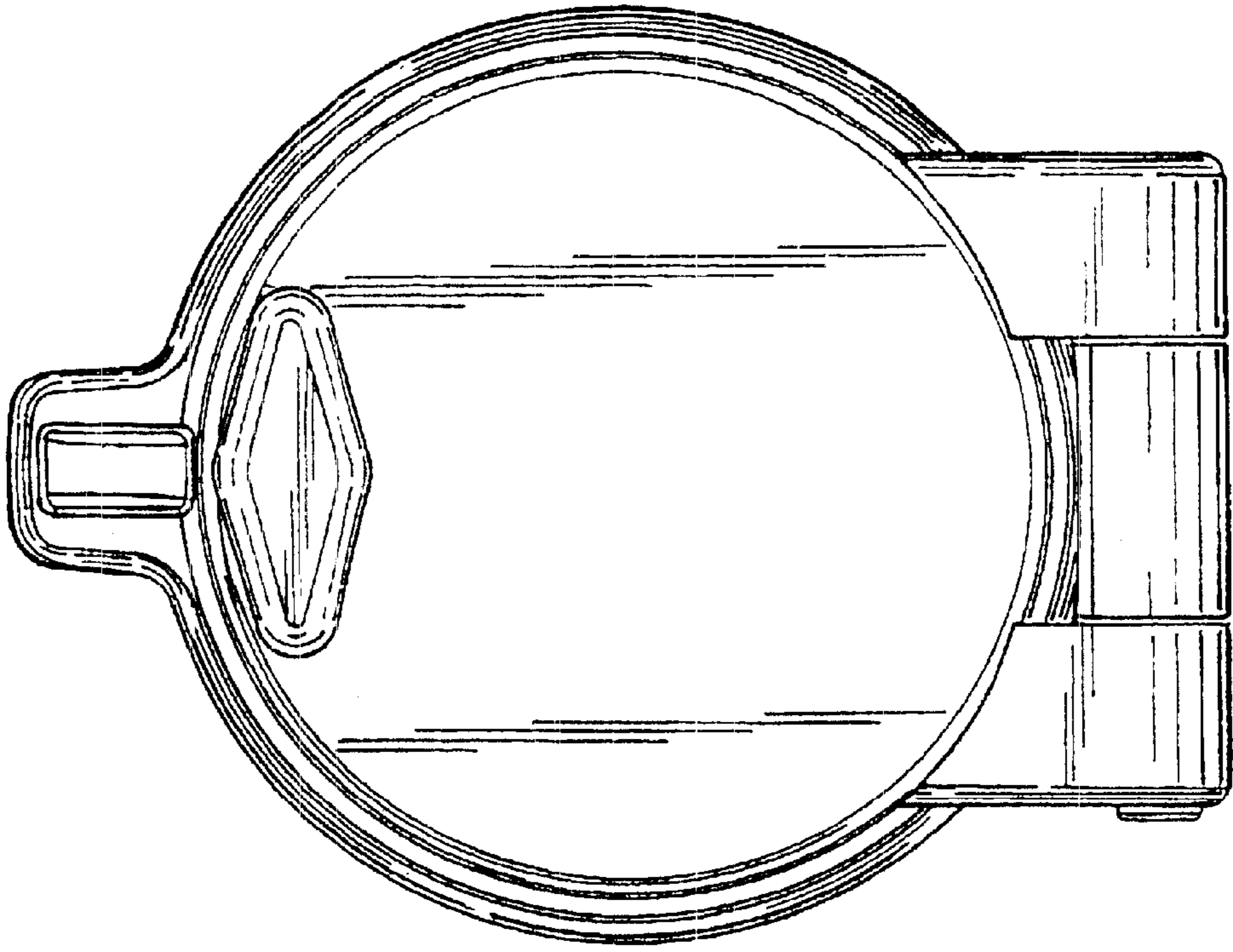


FIG. 6