



US00D461000S

(12) **United States Design Patent**
Müllenmeister

(10) **Patent No.:** **US D461,000 S**

(45) **Date of Patent:** **** Jul. 30, 2002**

(54) **DECK-MOUNT WATER OUTLET SPOUT**
(75) Inventor: **Daniel Müllenmeister**, Havixbeck (DE)
(73) Assignee: **Friedrich Grohe AG & Co. KG.**,
Hemer (DE)
(**) Term: **14 Years**

D357,526 S * 4/1995 Jans D23/257
D361,624 S * 8/1995 Fabian D23/257
D405,165 S * 2/1999 Kolada D23/257
D412,360 S * 7/1999 Lord D23/255
D415,259 S * 10/1999 Slothower D23/255
D434,472 S * 11/2000 Lord D23/241

* cited by examiner

(21) Appl. No.: **29/145,238**
(22) Filed: **Jul. 18, 2001**

Primary Examiner—Louis S. Zarfaz
Assistant Examiner—Gregory Andoll
(74) *Attorney, Agent, or Firm*—Herbert Dubno

(30) **Foreign Application Priority Data**
Feb. 28, 2001 (DE) 401 02 070
(51) **LOC (7) Cl.** **23-01**
(52) **U.S. Cl.** **D23/257; D23/255**
(58) **Field of Search** **D23/238–257;**
4/675–678; 16/110 R–121; 137/801

(57) **CLAIM**

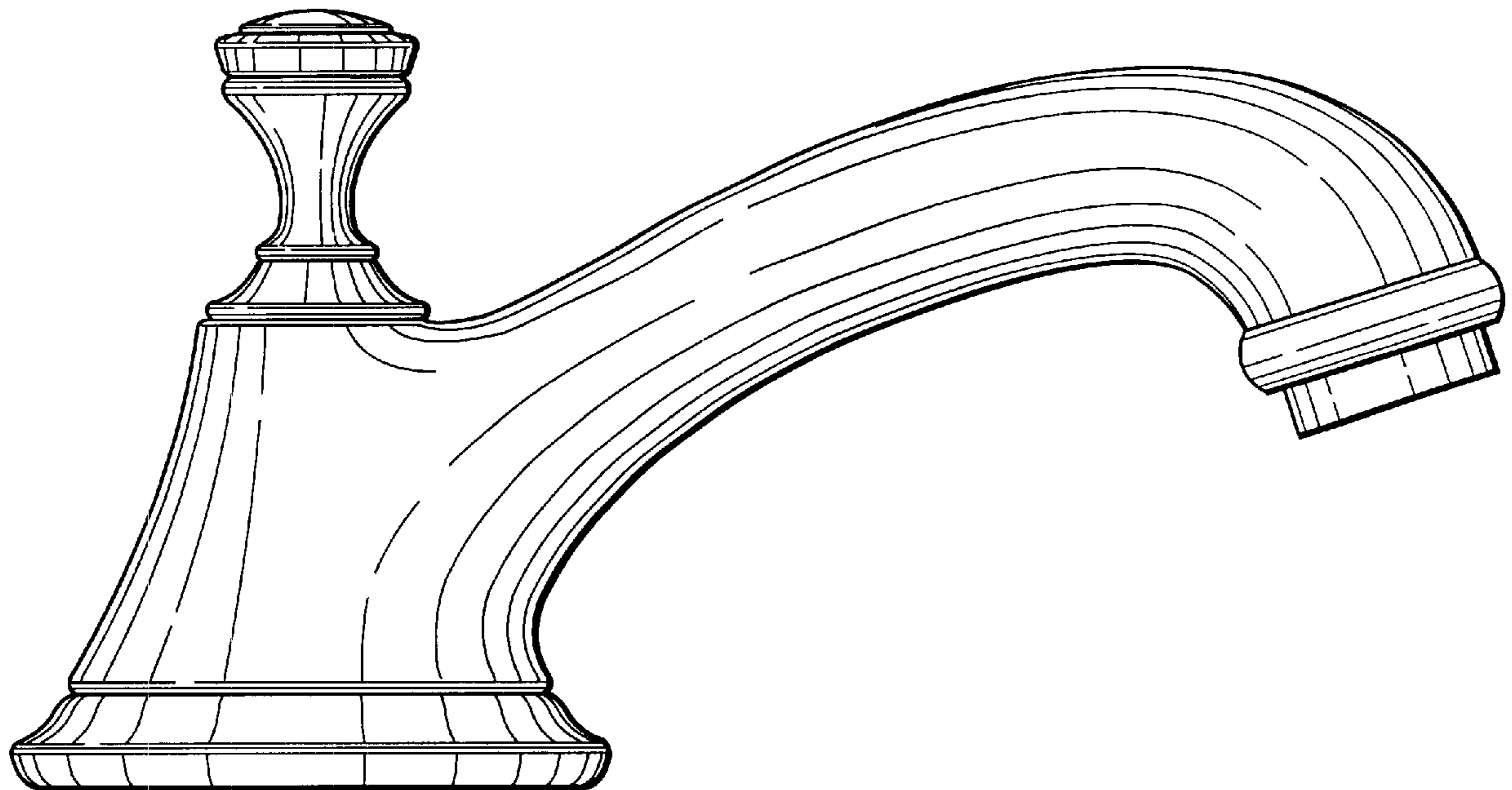
The ornamental design for a deck-mount water outlet spout, as shown and described.

DESCRIPTION

FIG. 1 is a top, front, left-side perspective view of a deck-mount water outlet spout showing my new design; FIG. 2 is a rear elevational view thereof; FIG. 3 is a front elevational view thereof; FIG. 4 is a top plan view thereof; FIG. 5 is a left side elevational view thereof, the right side elevational view being mirror symmetrical thereto; and, FIG. 6 is a bottom plan view thereof.

(56) **References Cited**
U.S. PATENT DOCUMENTS
D87,829 S * 9/1932 Ferguson D23/257
D285,597 S * 9/1986 Miller et al. D23/242
D299,161 S * 12/1988 Frattini D23/255
D313,646 S * 1/1991 Selberg D23/255
D348,510 S * 7/1994 Gottwald D23/257

1 Claim, 2 Drawing Sheets



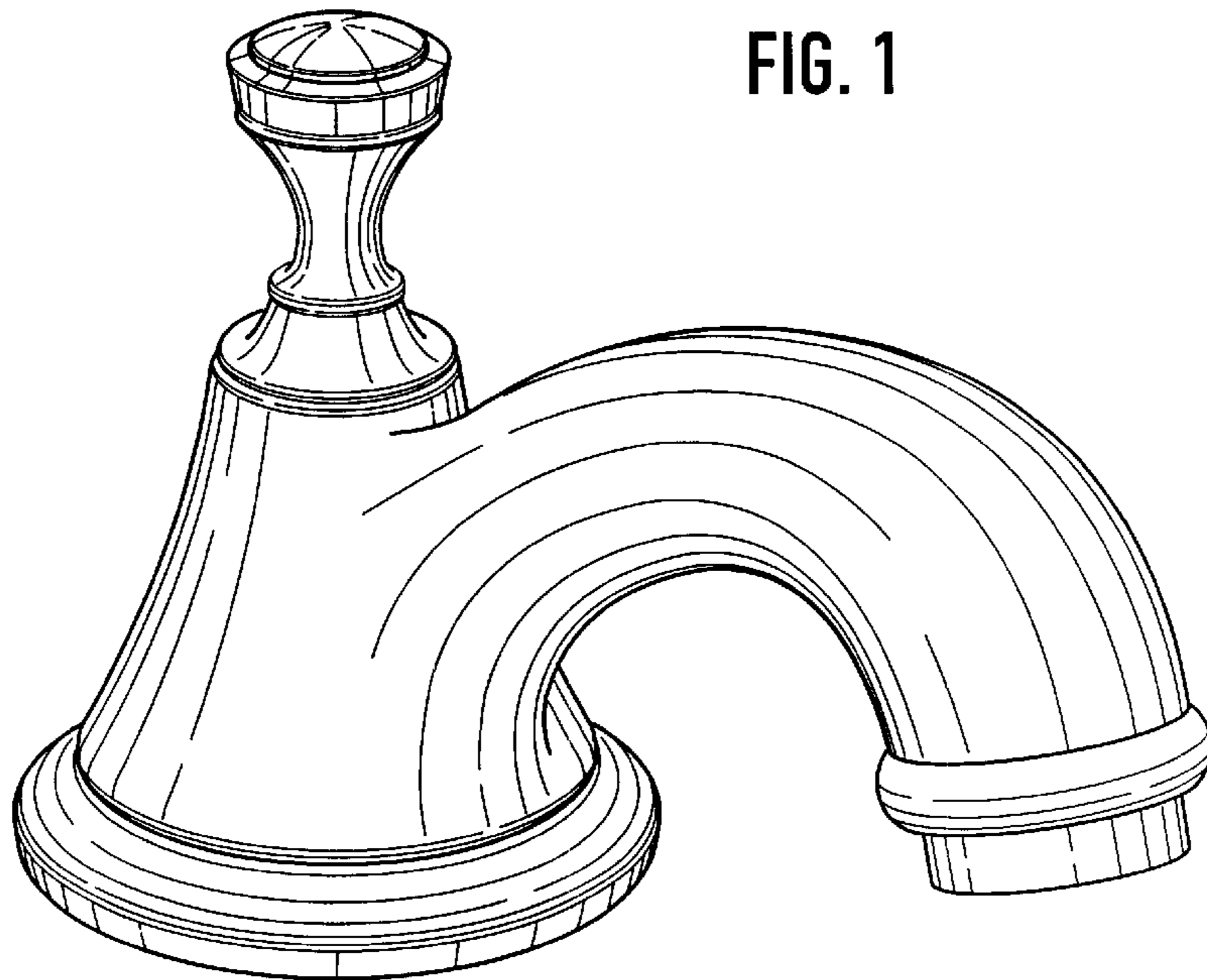


FIG. 2

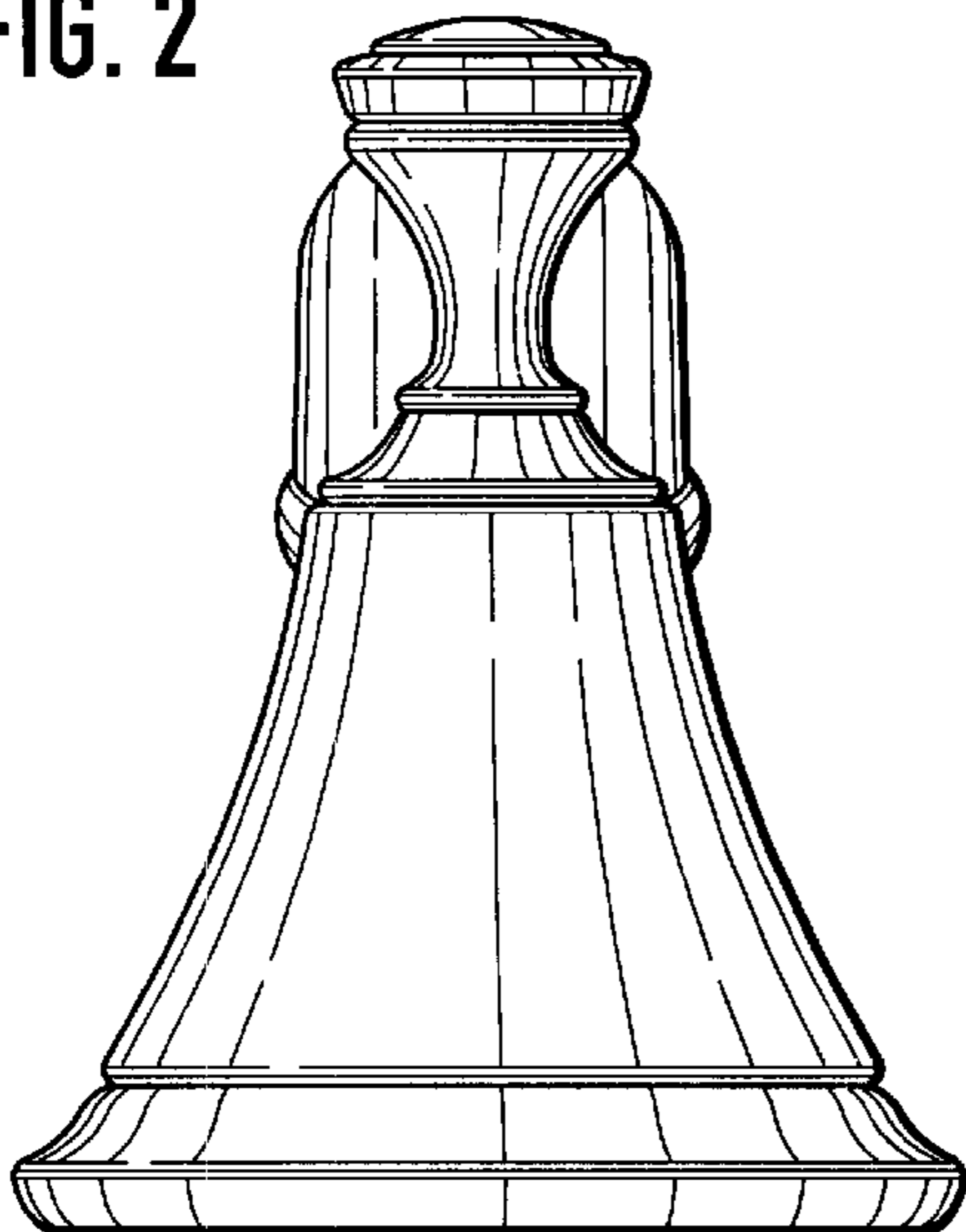
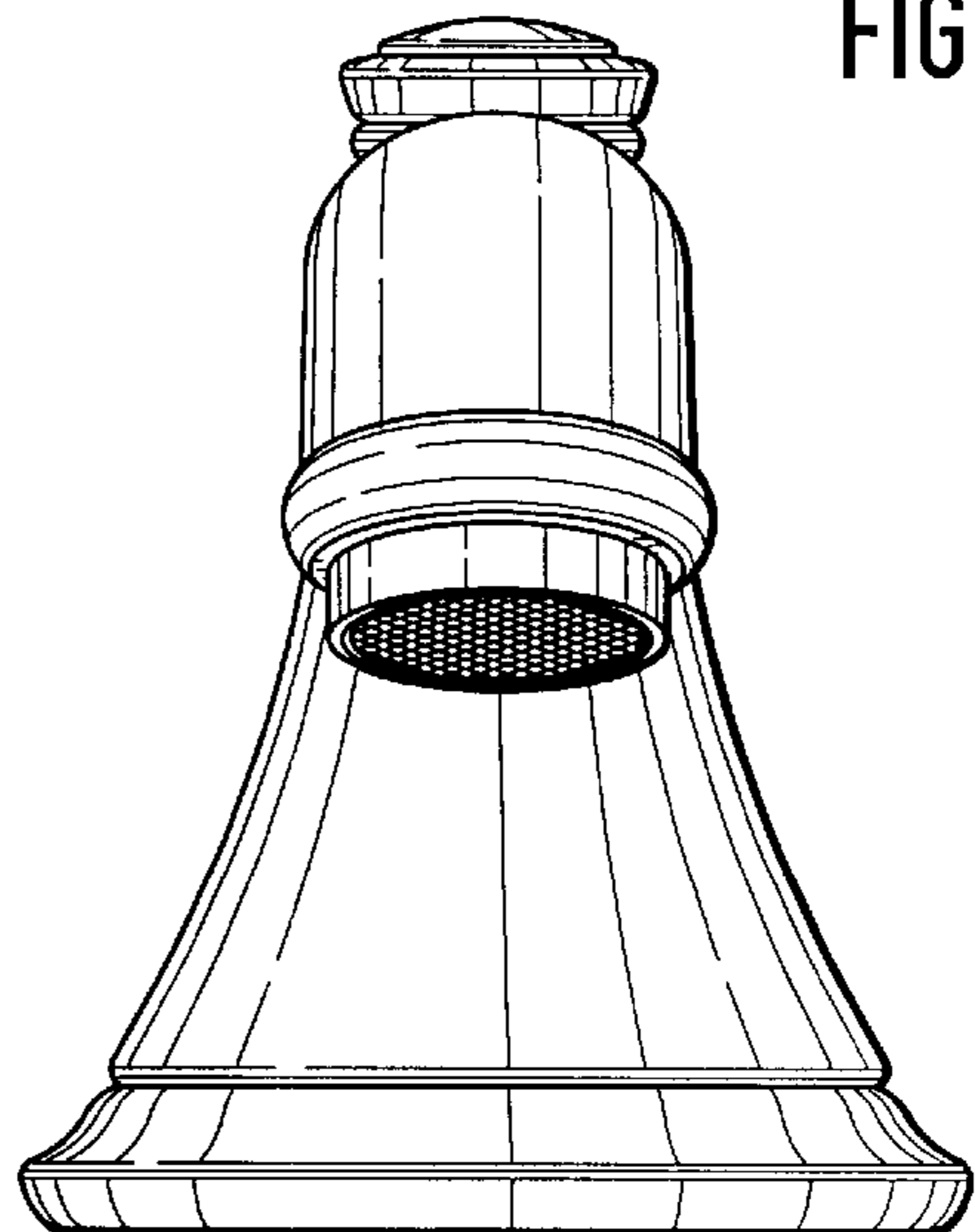


FIG. 3



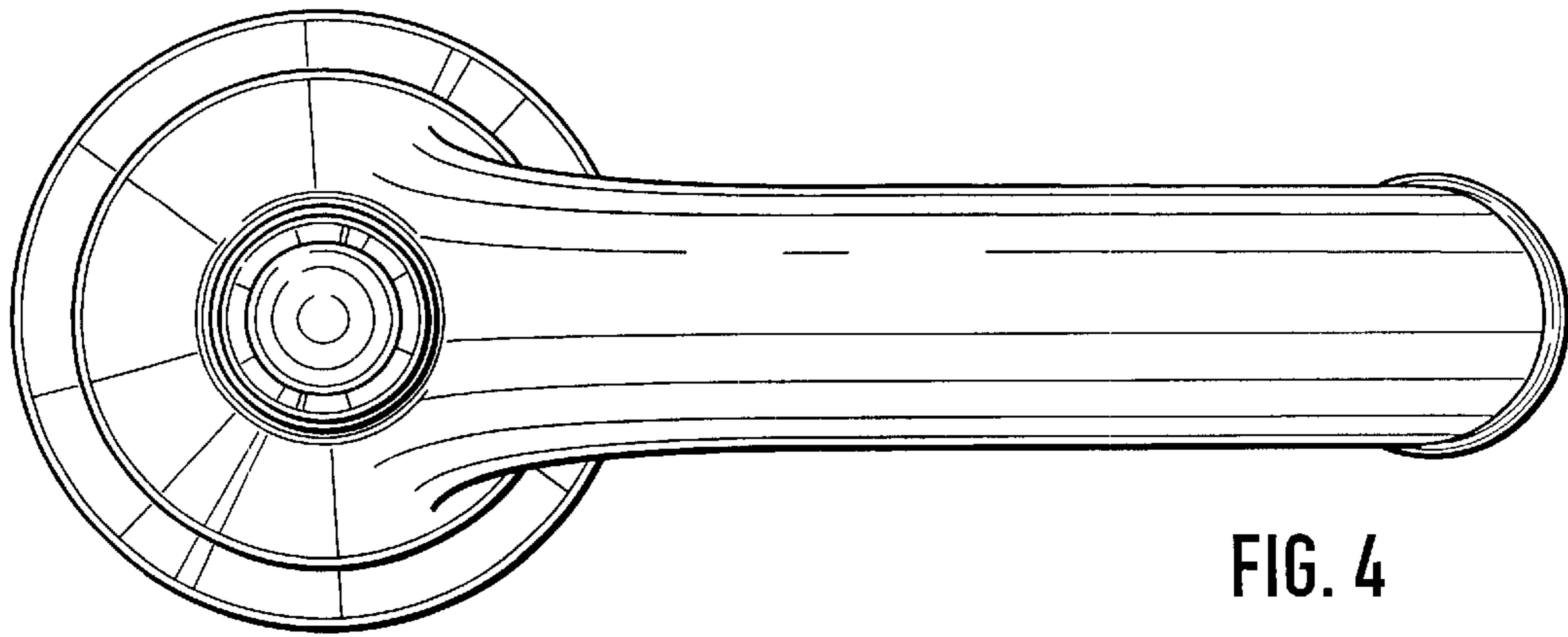


FIG. 4

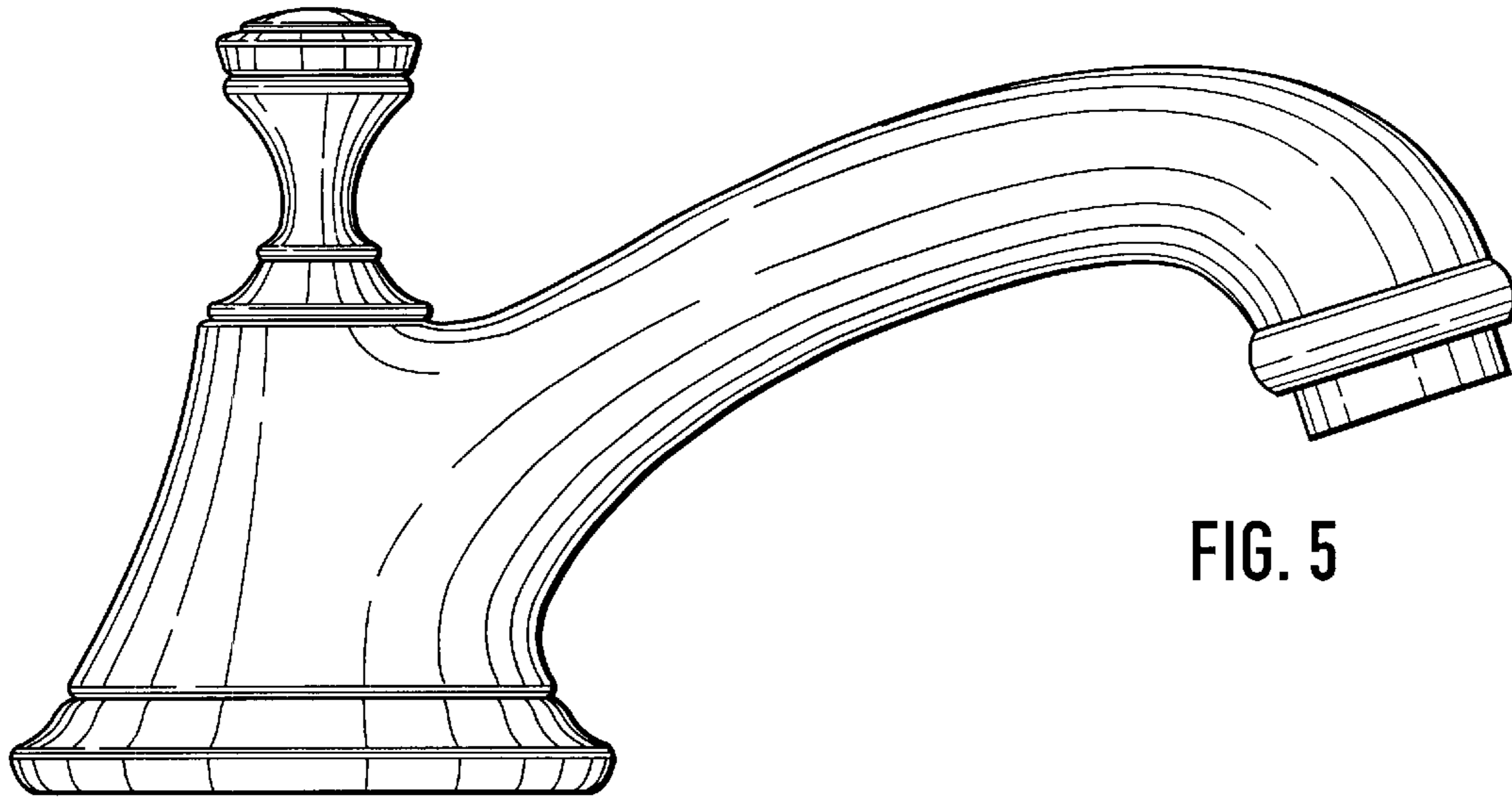


FIG. 5

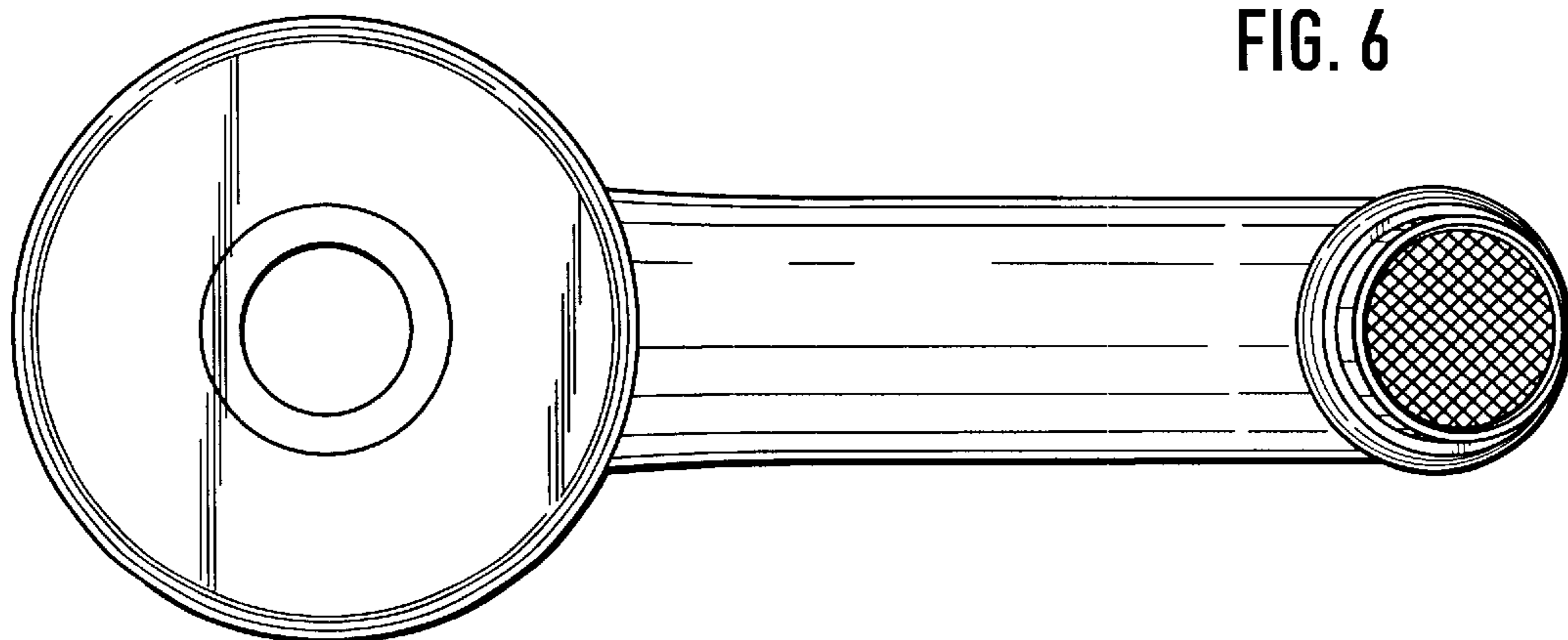


FIG. 6