



US00D460996S

(12) **United States Design Patent**  
**Carley et al.**

(10) **Patent No.:** **US D460,996 S**

(45) **Date of Patent:** **\*\* Jul. 30, 2002**

(54) **AQUARIUM FILTER**

(75) **Inventors:** **Joseph Christopher Carley; John Edward Fox, Jr.**, both of Blacksburg, VA (US); **Jeffrey Alan Warden**, Chapel Hill, NC (US)

(73) **Assignee:** **Warner-Lambert Company**, Morris Plains, NJ (US)

(\*\*) **Term:** **14 Years**

(21) **Appl. No.:** **29/137,937**

(22) **Filed:** **Mar. 1, 2001**

(51) **LOC (7) Cl.** ..... **23-01**

(52) **U.S. Cl.** ..... **D23/210**

(58) **Field of Search** ..... D23/209, 210;  
210/169, 416.2

(56) **References Cited**

**U.S. PATENT DOCUMENTS**

- 2,782,161 A \* 2/1957 Willinger et al. .... 210/169
- 4,602,996 A \* 7/1986 Willinger ..... 210/169

- D317,966 S \* 7/1991 Willinger ..... D23/210
- D355,701 S \* 2/1995 Willinger et al. .... D23/209
- 5,799,612 A \* 9/1998 Page ..... 210/416.2

\* cited by examiner

*Primary Examiner*—Robin V. Taylor

(74) *Attorney, Agent, or Firm*—Darryl C. Little; Evan J. Federman

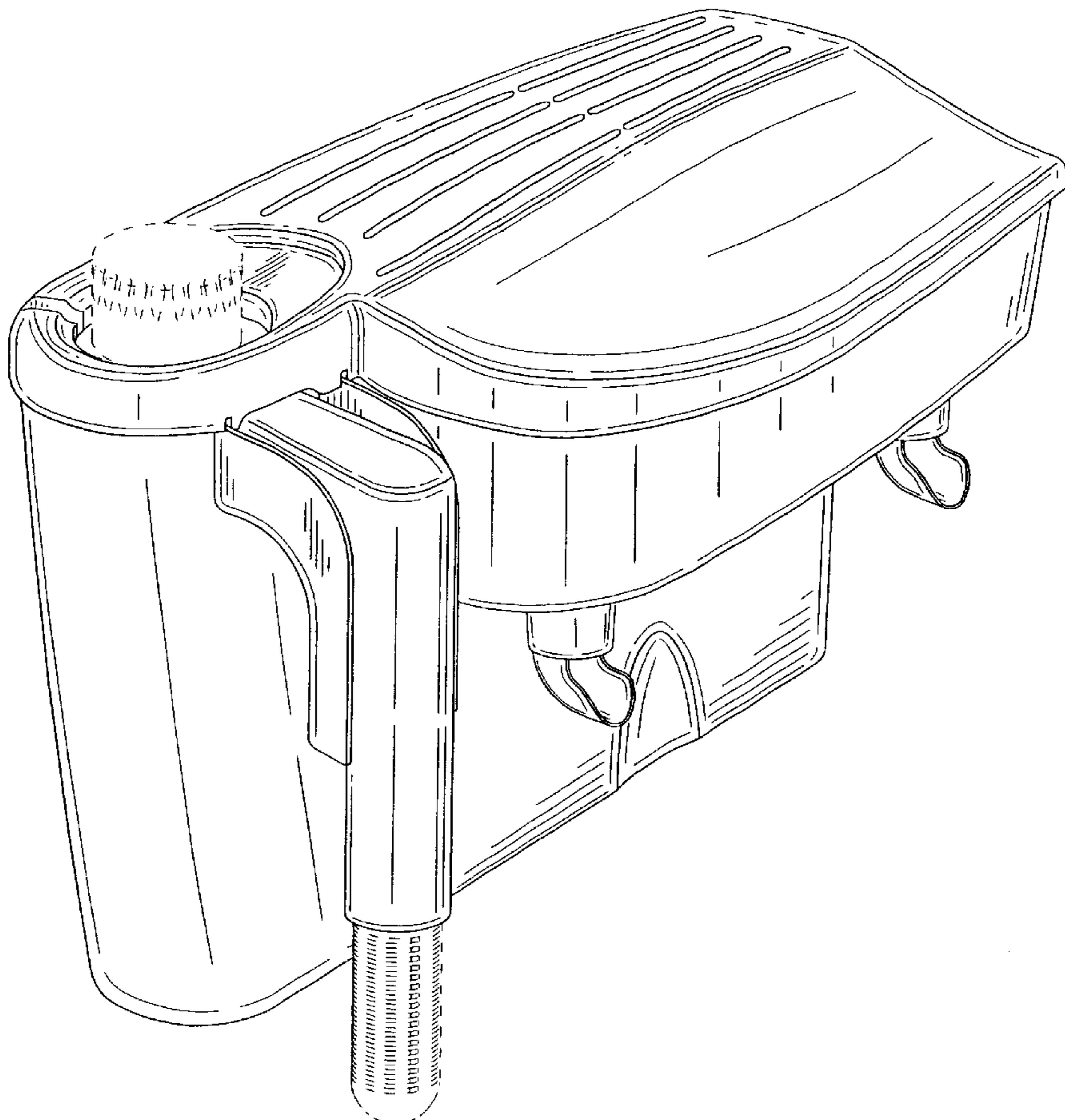
(57) **CLAIM**

The ornamental design for an aquarium filter, as shown and described.

**DESCRIPTION**

FIG. 1 is a perspective view of the filter;  
 FIG. 2 is a top plan view of the filter;  
 FIG. 3 is a right side elevational view of the filter;  
 FIG. 4 is a front elevational view of the filter;  
 FIG. 5 is a rear elevational view of the filter;  
 FIG. 6 is a left side elevational view of the filter; and,  
 FIG. 7 is a bottom plan view of the filter.  
 The broken line showing is for illustrative purposes only and forms no part of the claimed design.

**1 Claim, 6 Drawing Sheets**



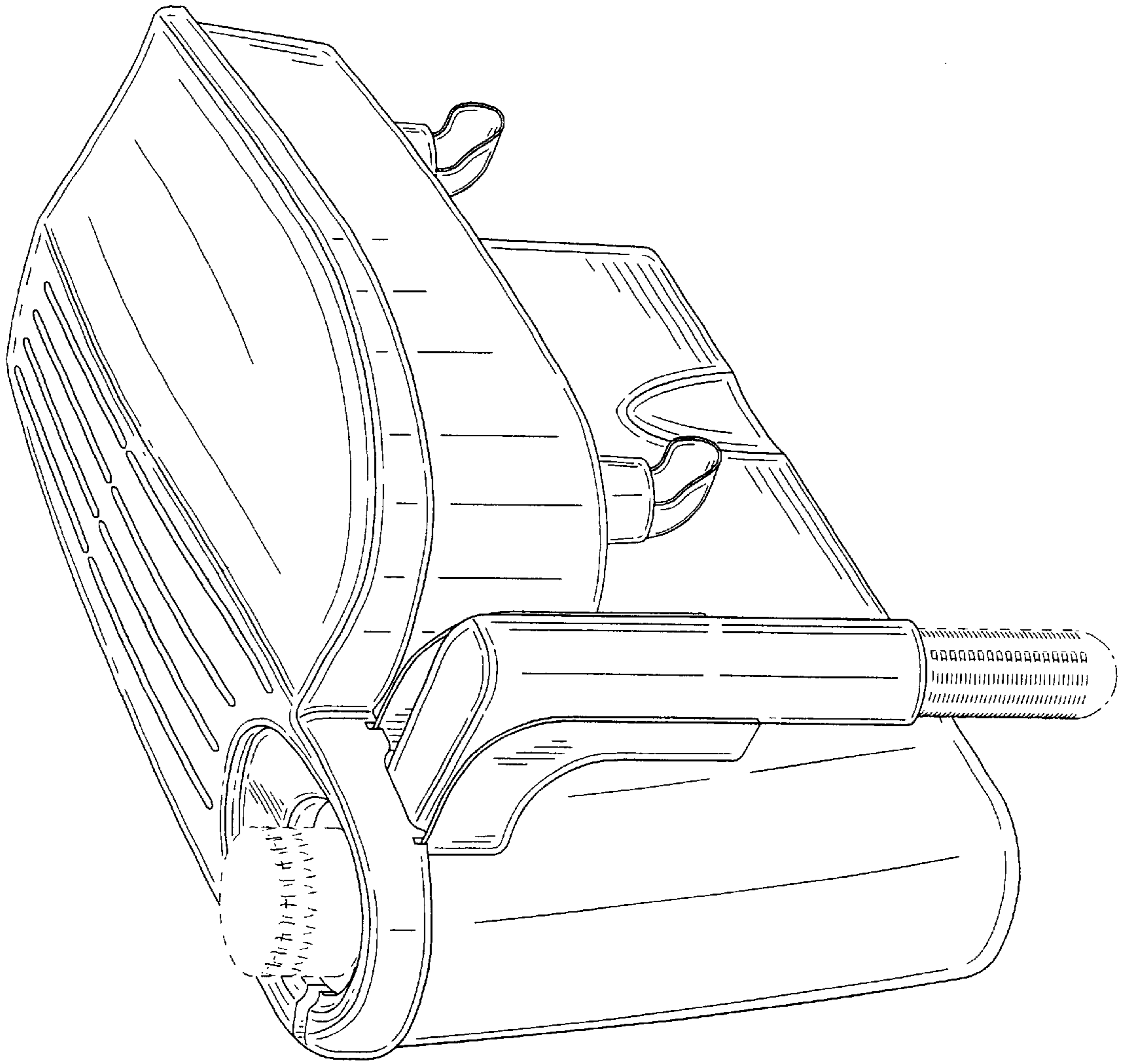


FIG. 1

FIG. 2

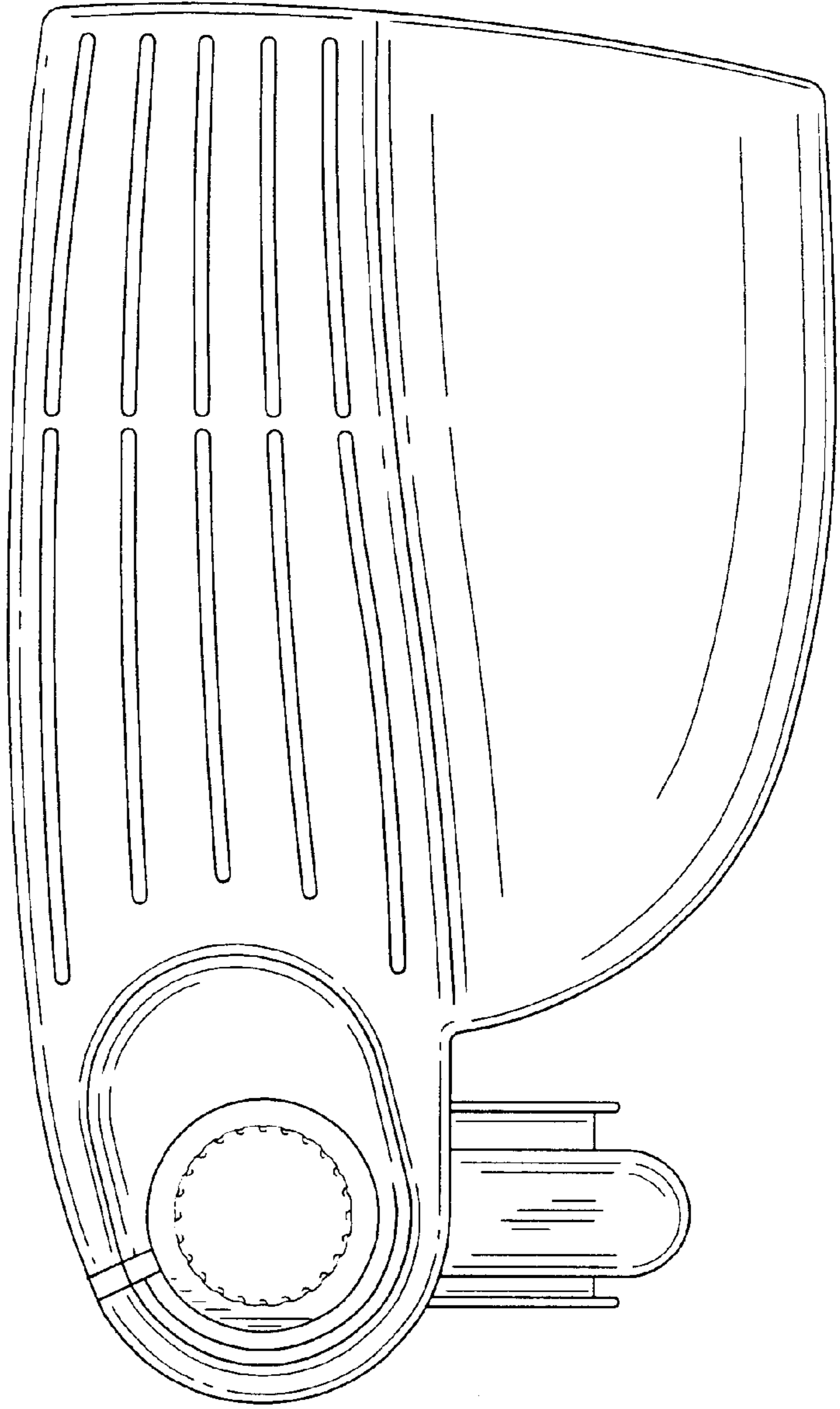


FIG. 3

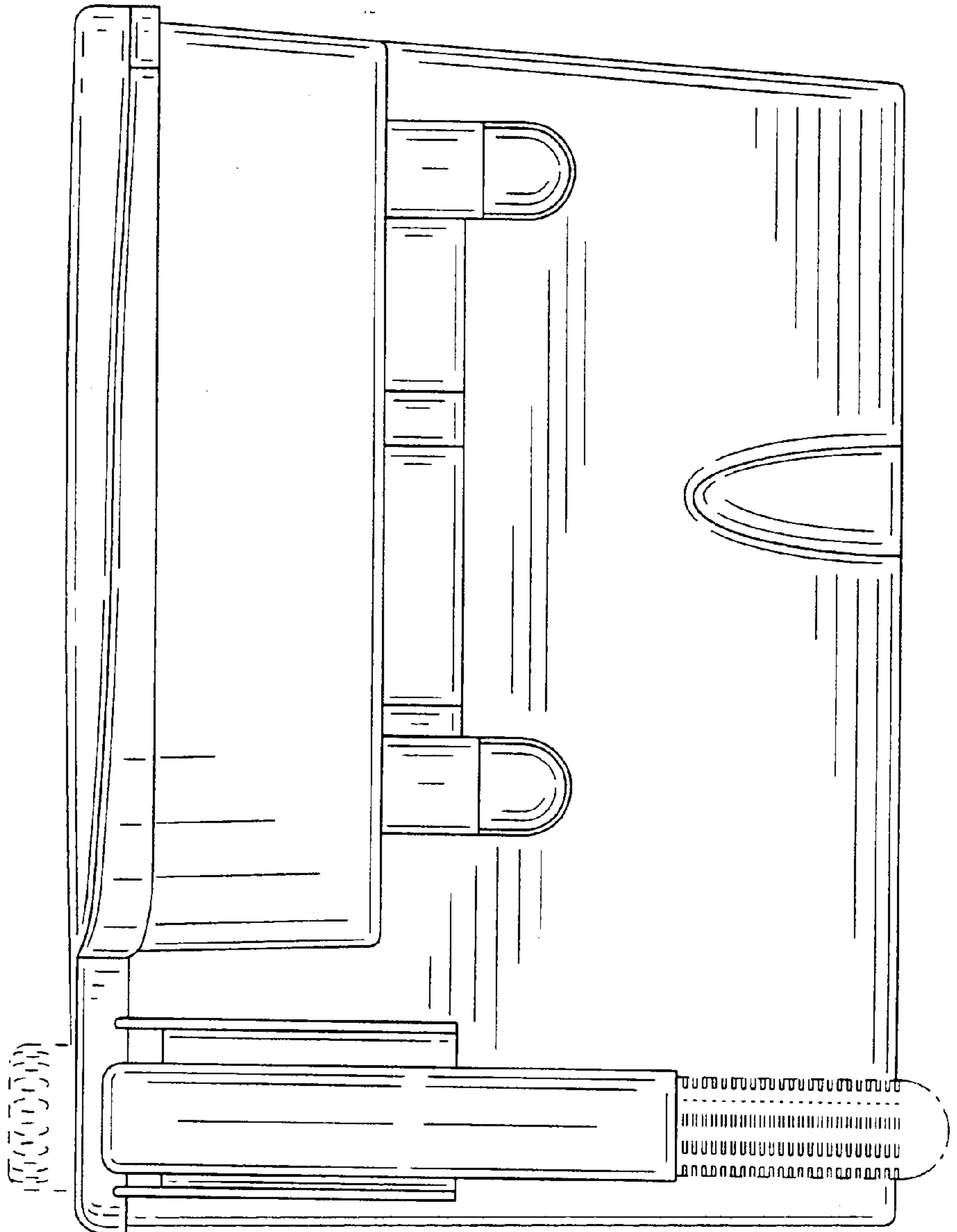


FIG. 5

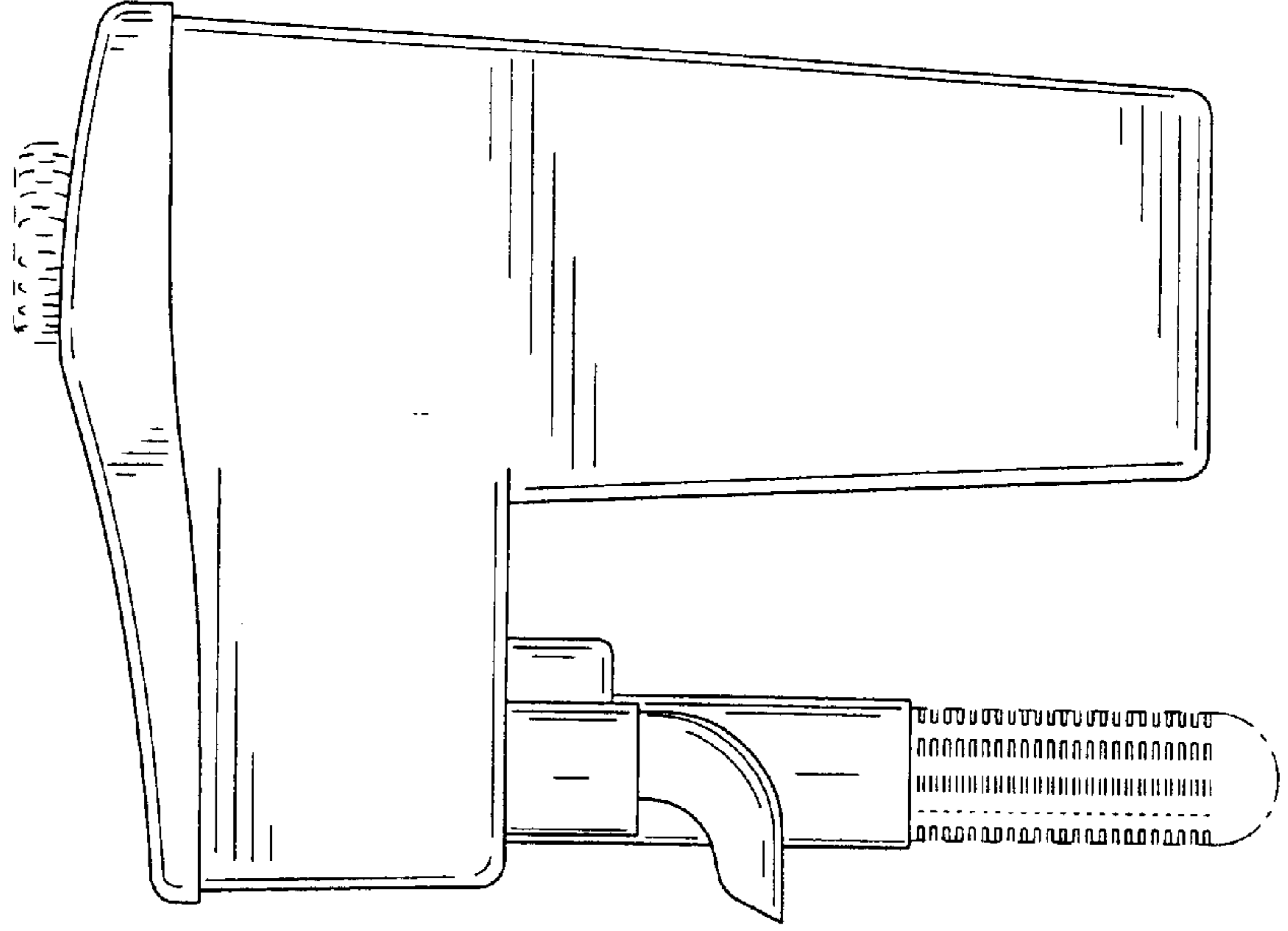


FIG. 4

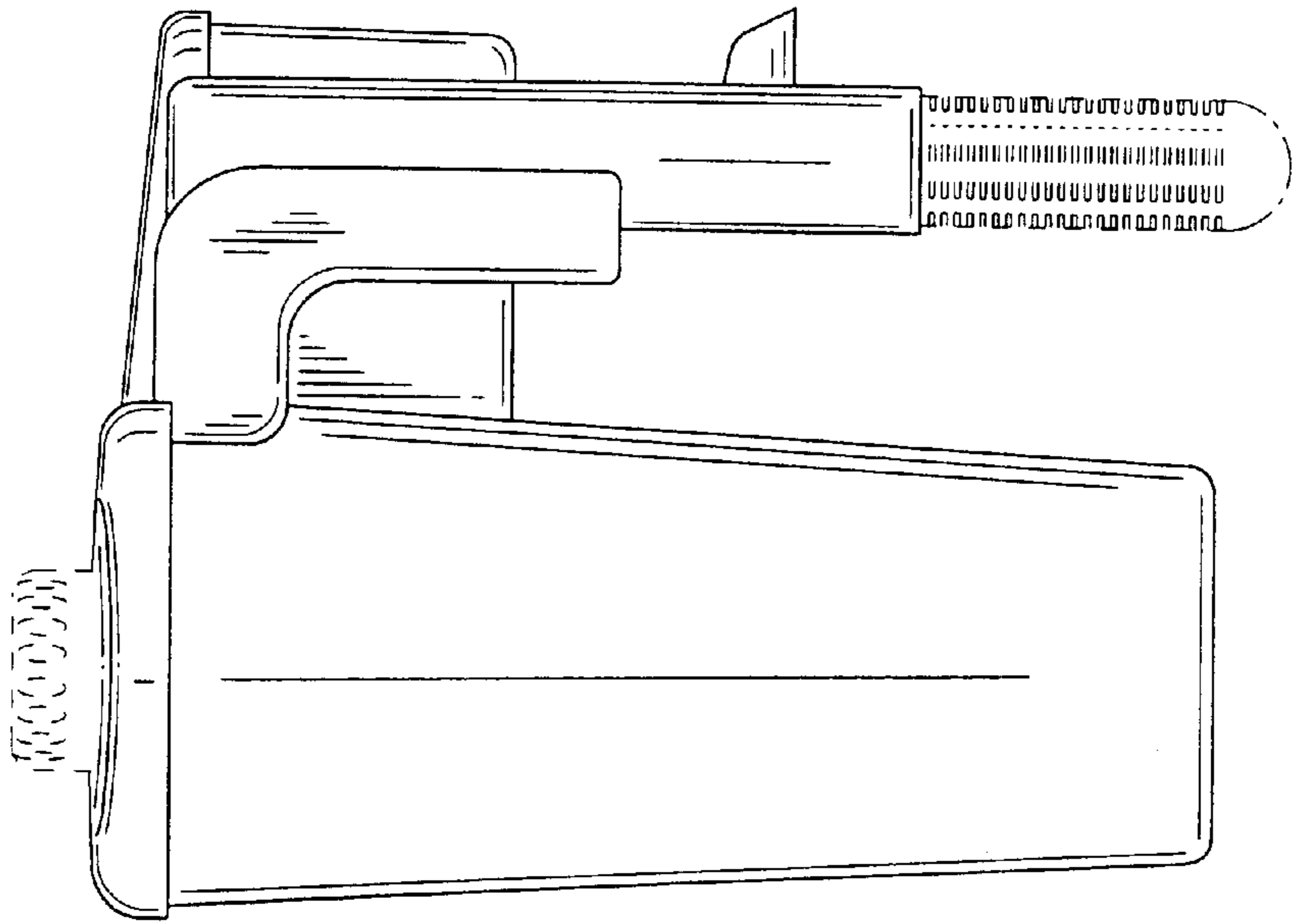


FIG. 6

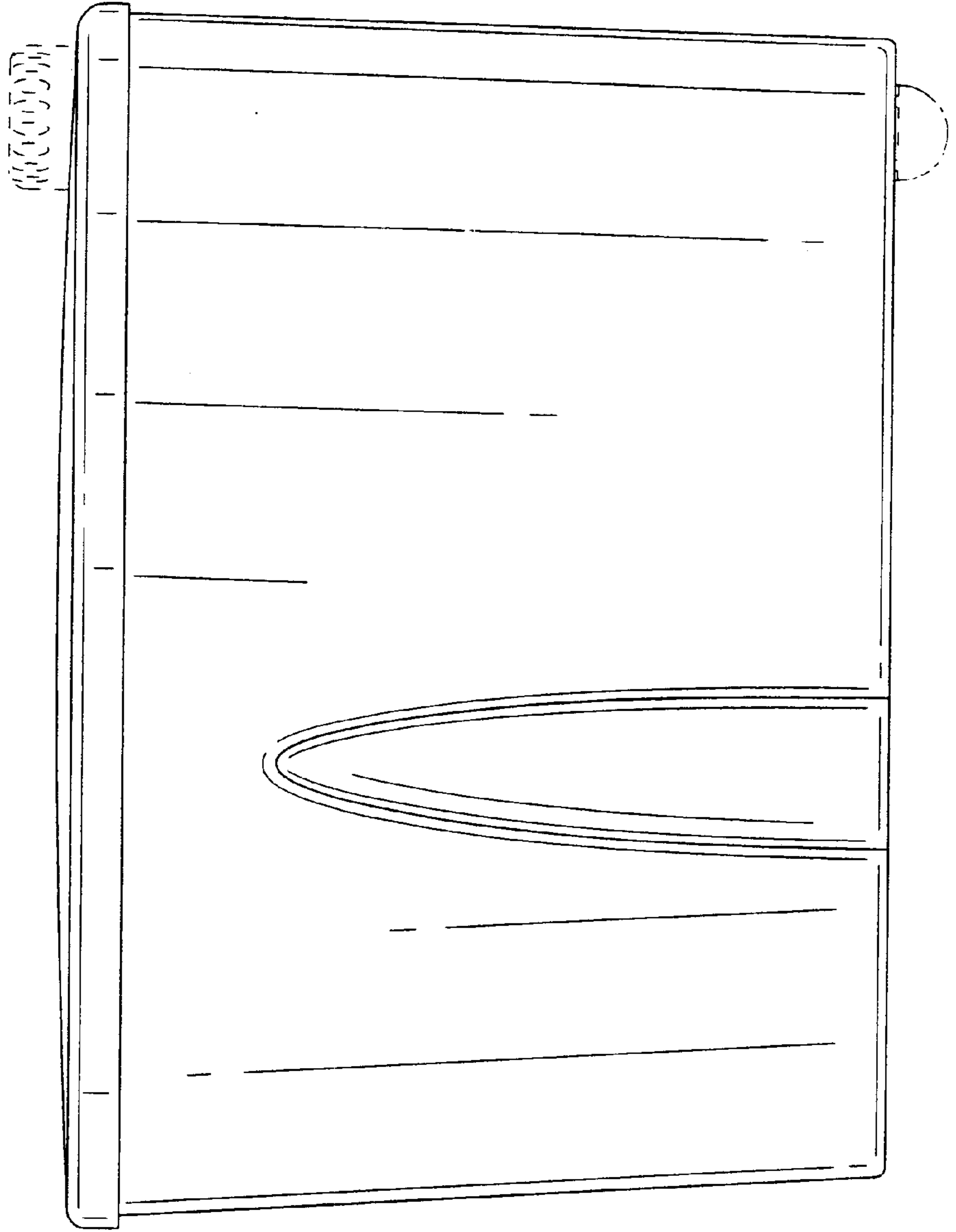


FIG. 7

