



US00D460994S

(12) **United States Design Patent**
Burke

(10) **Patent No.:** **US D460,994 S**

(45) **Date of Patent:** **** Jul. 30, 2002**

(54) **SPINCAST FISHING REEL BODY**

(75) Inventor: **Marde Burke**, Owasso, OK (US)

(73) Assignee: **W. C. Bradley/Zebco Holdings, Inc.**,
Tulsa, OK (US)

(**) Term: **14 Years**

(21) Appl. No.: **29/144,631**

(22) Filed: **Jul. 7, 2001**

(51) **LOC (7) Cl.** **22-05**

(52) **U.S. Cl.** **D22/140**

(58) **Field of Search** D22/140, 141,
D22/137, 138; 242/234-240, 310, 311,
312, 314, 319, 323; 43/20, 22

(56) **References Cited**

U.S. PATENT DOCUMENTS

D290,987 S	*	7/1987	Robbins et al.	D22/141
D314,604 S	*	2/1991	Jackson et al.	D22/141
D404,109 S		1/1999	Zwayer et al.	D22/141
D414,840 S	*	10/1999	Kirby	D22/141
6,138,935 A		10/2000	Zwayer et al.	242/311
D443,333 S	*	6/2001	Gibson	D22/140

OTHER PUBLICATIONS

Zebco Rods and Reels Catalog 2000, ©1999.

* cited by examiner

Primary Examiner—Catherine R. Oliver

(74) *Attorney, Agent, or Firm*—Fellers, Snider,
Blankenship, Bailey & Tippens, P.C.

(57) **CLAIM**

The ornamental design for a spincast fishing reel body, as shown.

DESCRIPTION

FIG. 1 is a top, perspective view of a spincast fishing reel body showing my new design;

FIG. 2 is a left side elevational view thereof;

FIG. 3 is a rear elevational view thereof;

FIG. 4 is a front elevational view thereof;

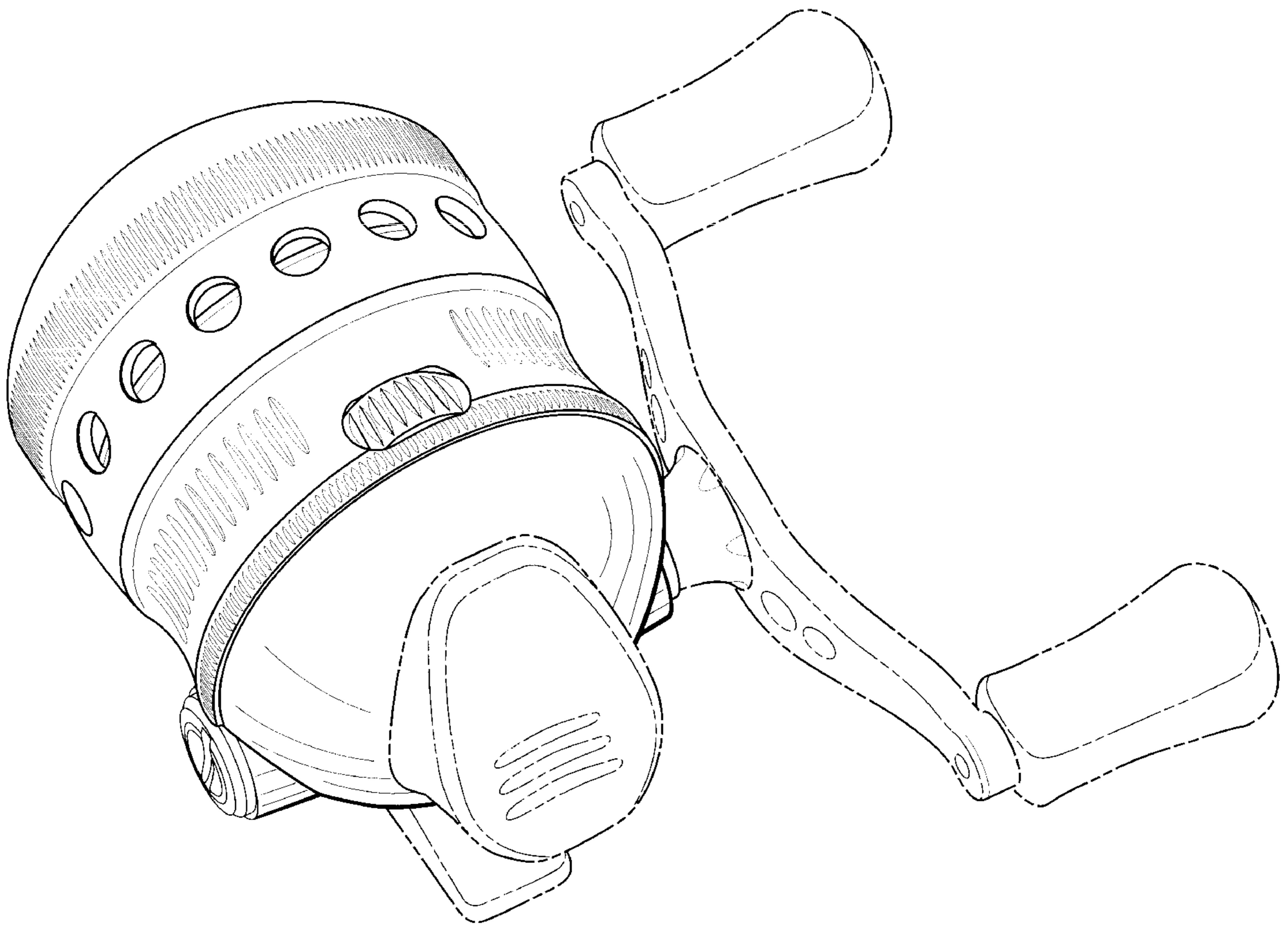
FIG. 5 is a right side elevational view thereof;

FIG. 6 is a top plan view, at a slightly reduced scale thereof; and,

FIG. 7 is a bottom plan view, at same scale as FIG. 6 thereof.

The broken line showing of environment in the drawings is for illustrative purposes only and forms no part of the claimed design.

1 Claim, 7 Drawing Sheets



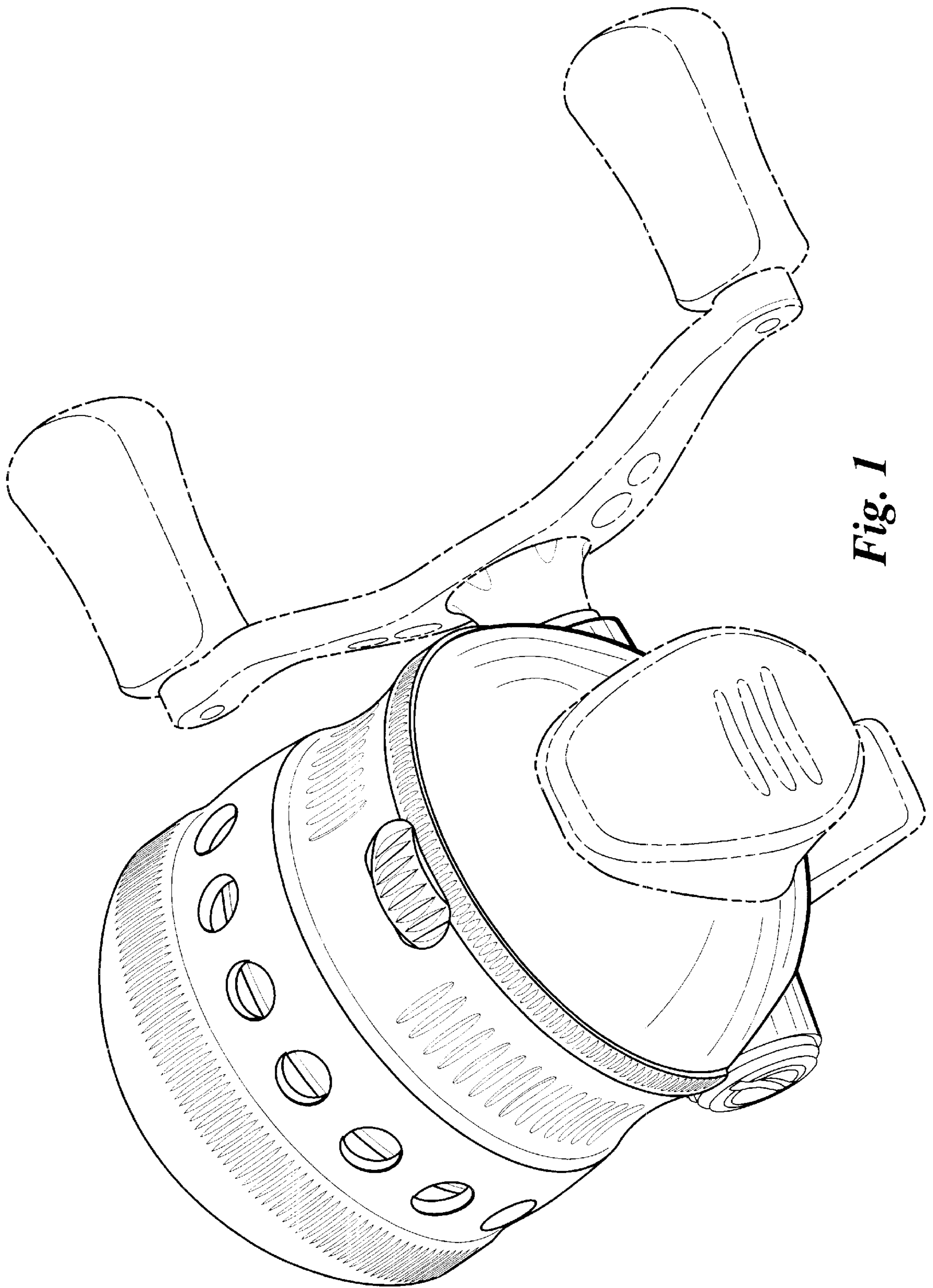
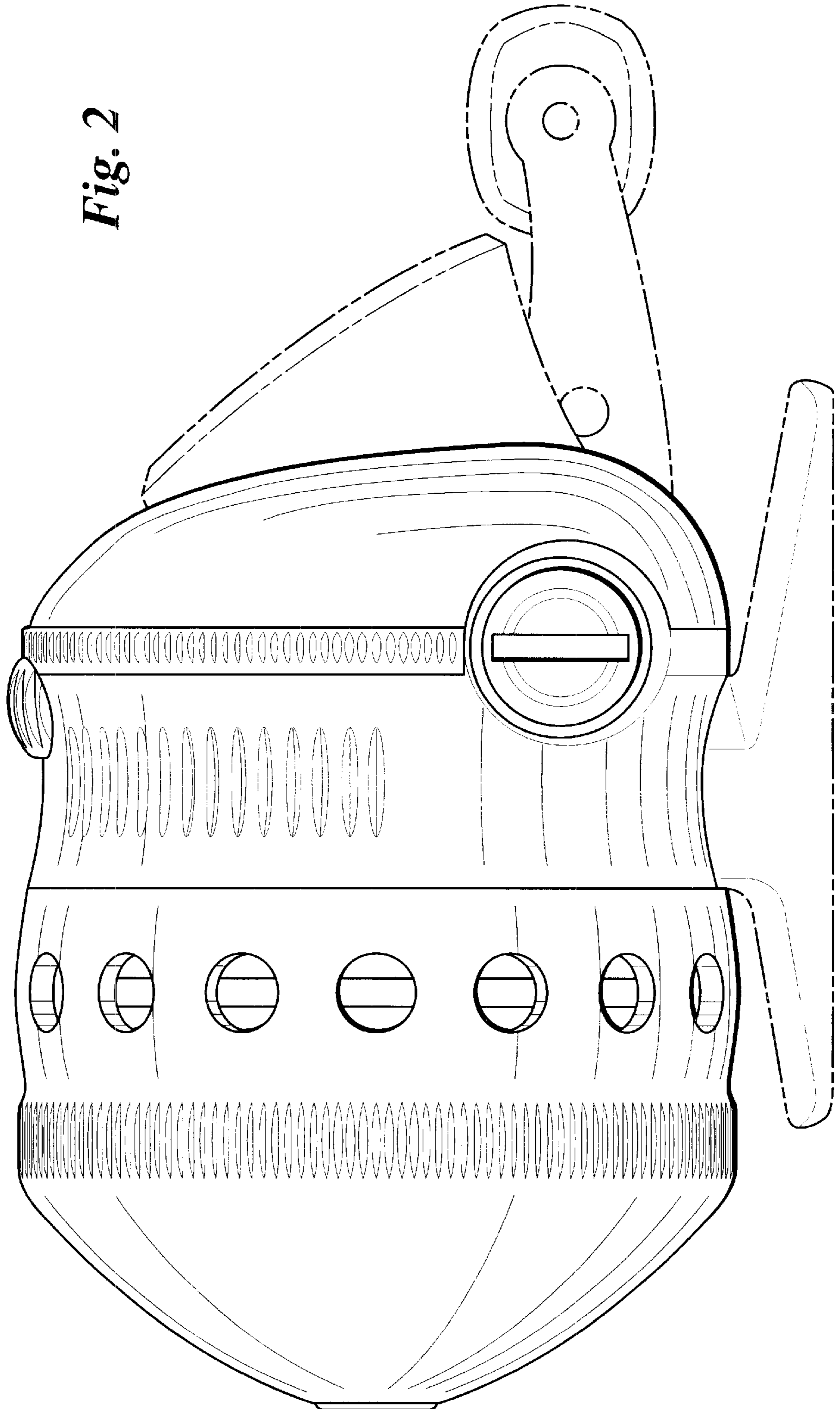


Fig. 1

Fig. 2



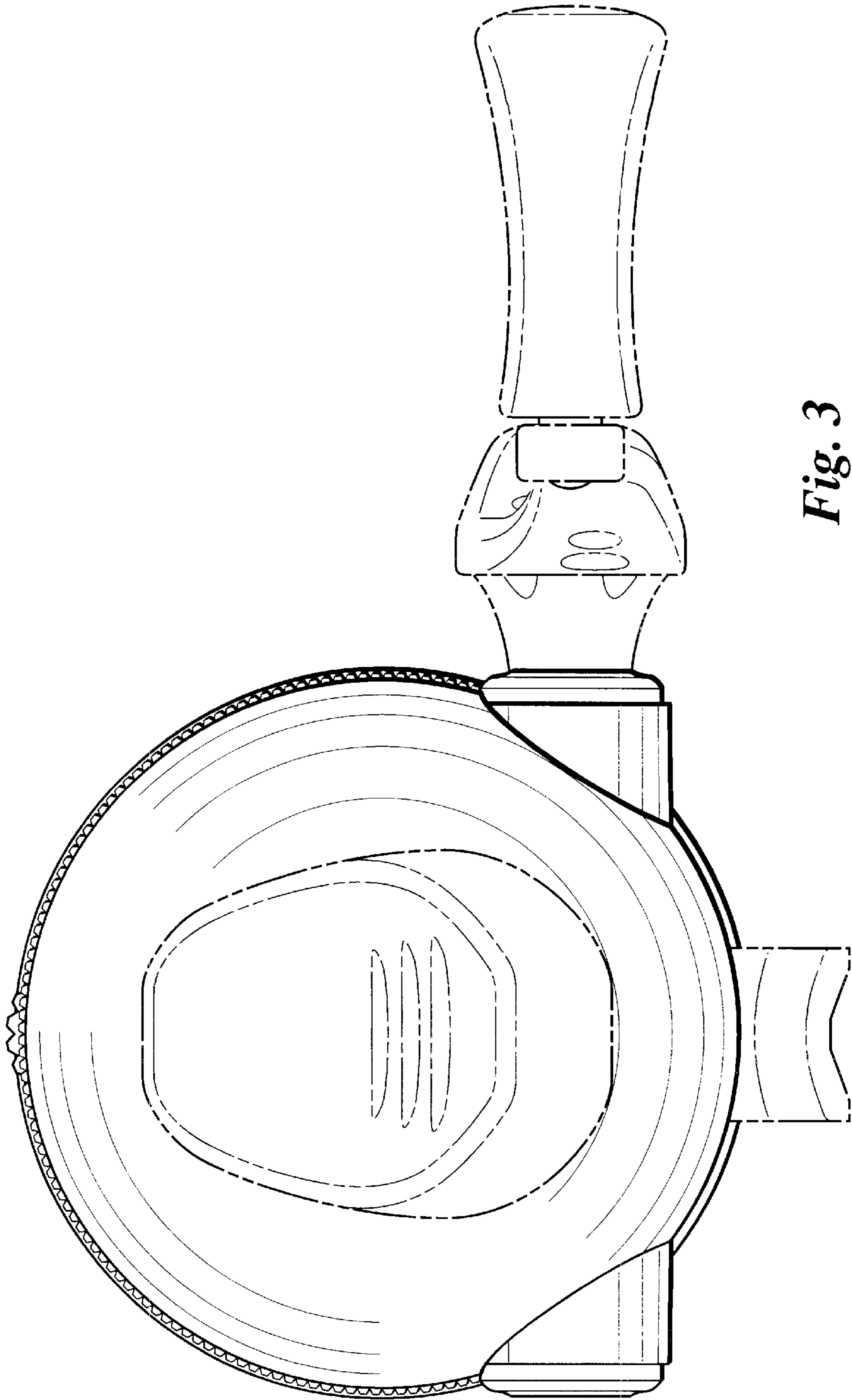


Fig. 3

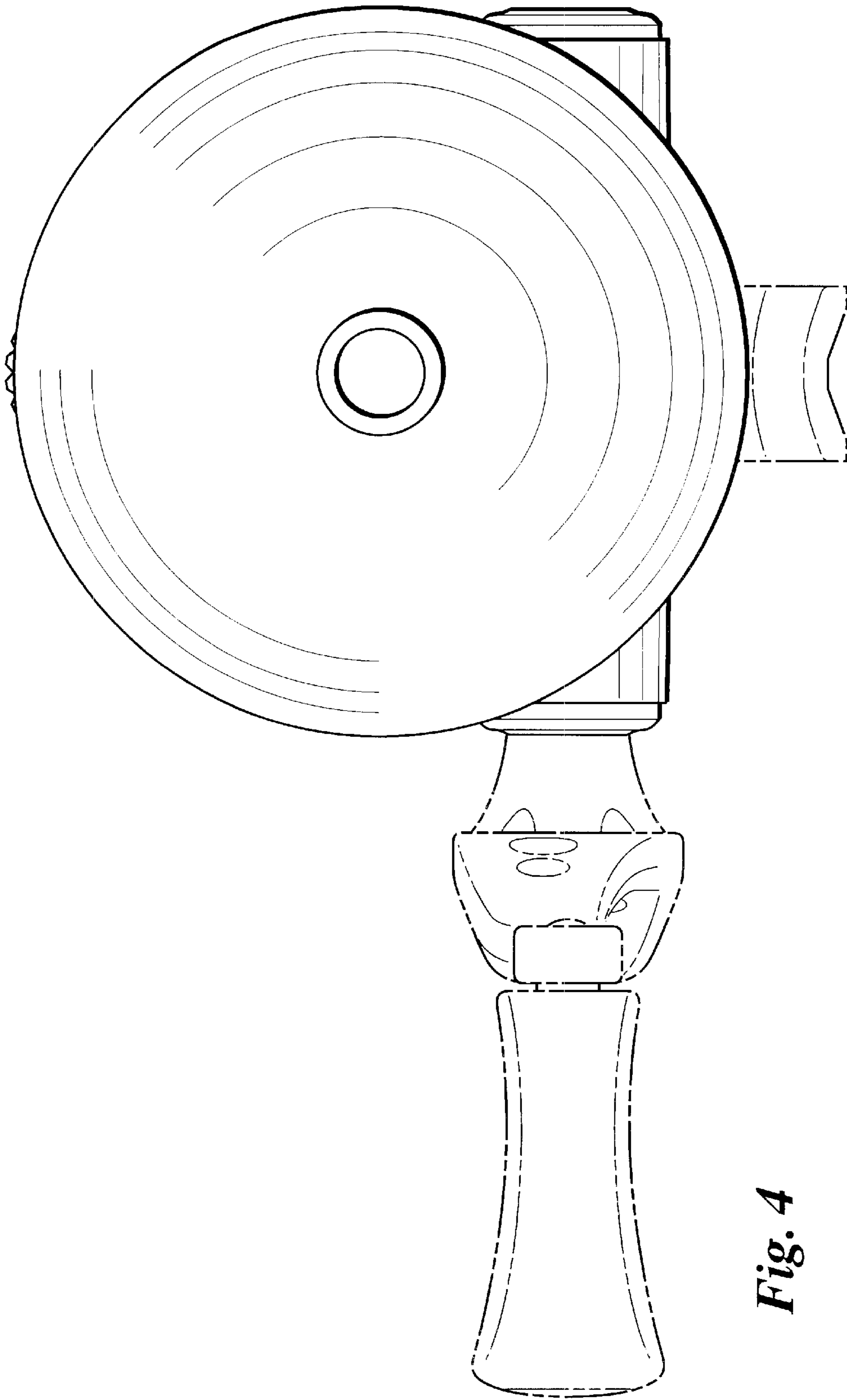


Fig. 4

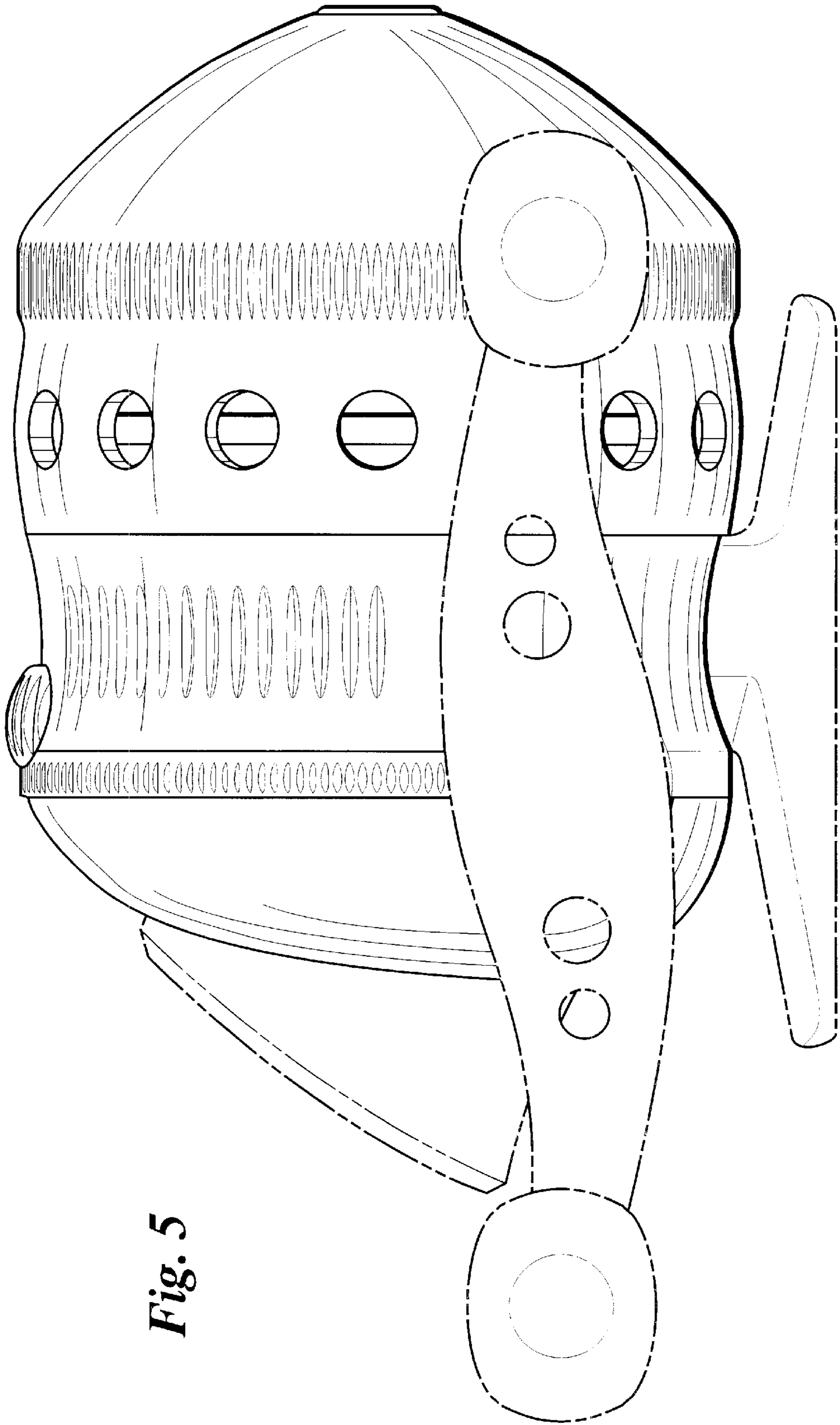


Fig. 5

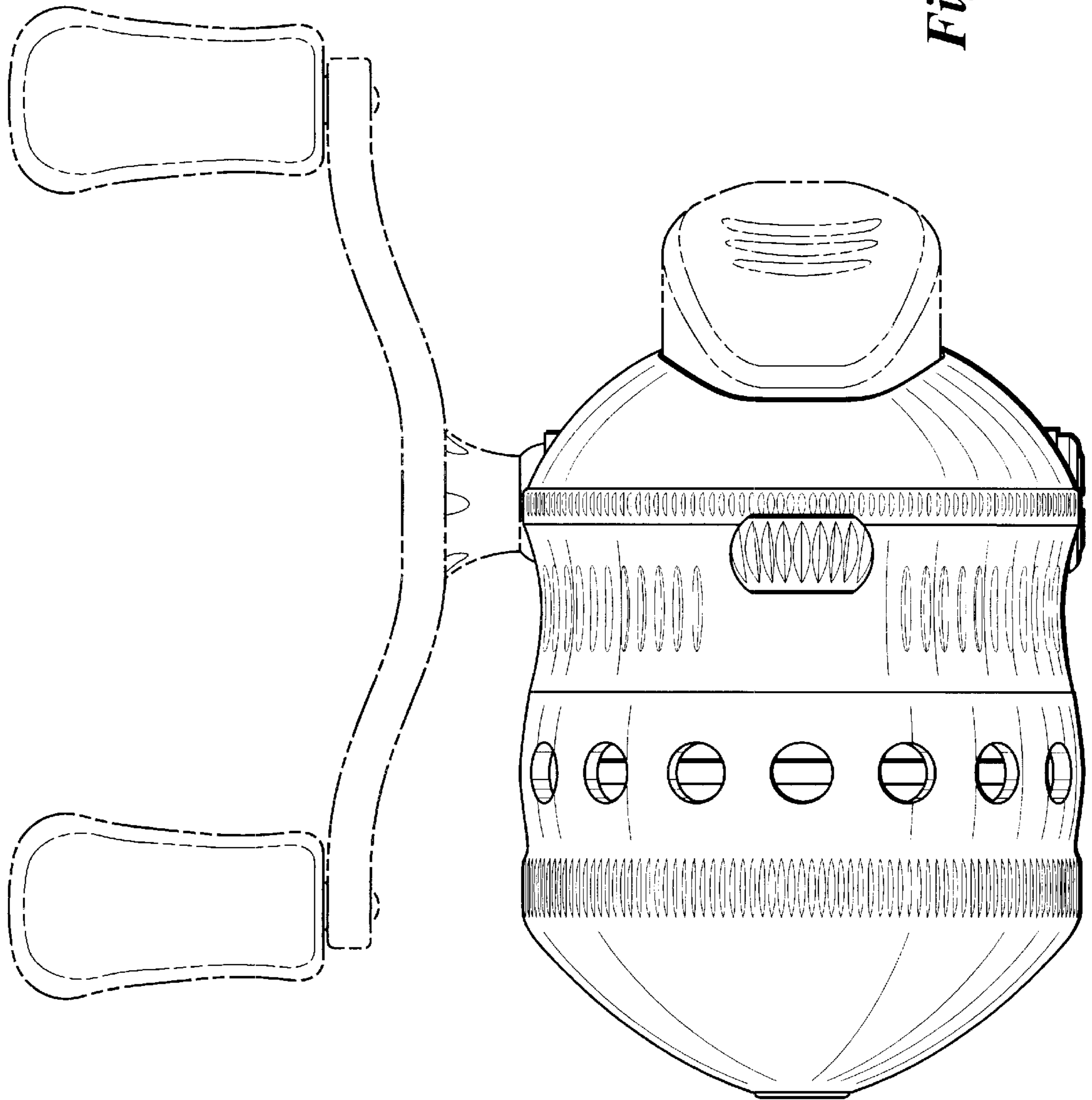


Fig. 6

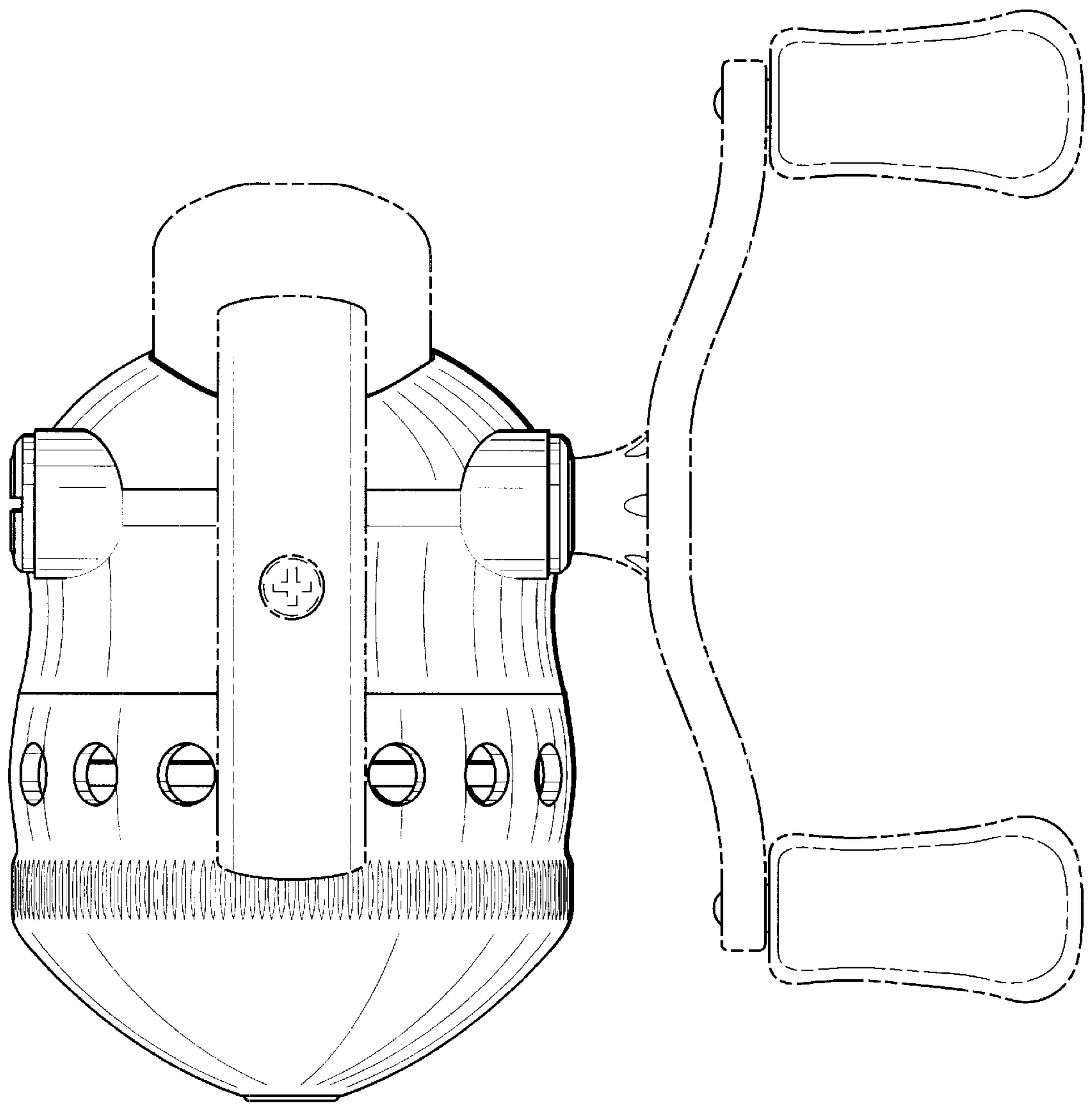


Fig. 7