

US00D460992S

(12) **United States Design Patent**
Katz

(10) **Patent No.:** **US D460,992 S**

(45) **Date of Patent:** **** Jul. 30, 2002**

(54) **SNOWSHOE**

(76) **Inventor:** **Robert Katz**, 3570 Ridgewood, Apt.
305, Montreal, Quebec (CA), H3V 1C2

(**) **Term:** **14 Years**

(21) **Appl. No.:** **29/145,423**

(22) **Filed:** **Jul. 24, 2001**

(30) **Foreign Application Priority Data**

Jan. 26, 2001 (CA) 2001-0192

(51) **LOC (7) Cl.** **02-04**

(52) **U.S. Cl.** **D21/768**

(58) **Field of Search** D21/768, 760;
36/122-125

(56) **References Cited**

U.S. PATENT DOCUMENTS

D163,316 S * 5/1951 Paden D21/768
5,809,668 A * 9/1998 Kiniry et al. 36/122

6,003,249 A * 12/1999 Watson 36/124
6,006,453 A * 12/1999 Klebahn et al. 36/123
D424,844 S * 5/2000 Kiniry et al. D21/768
6,112,436 A * 9/2000 Quellais 36/124

* cited by examiner

Primary Examiner—Lucy Lieberman

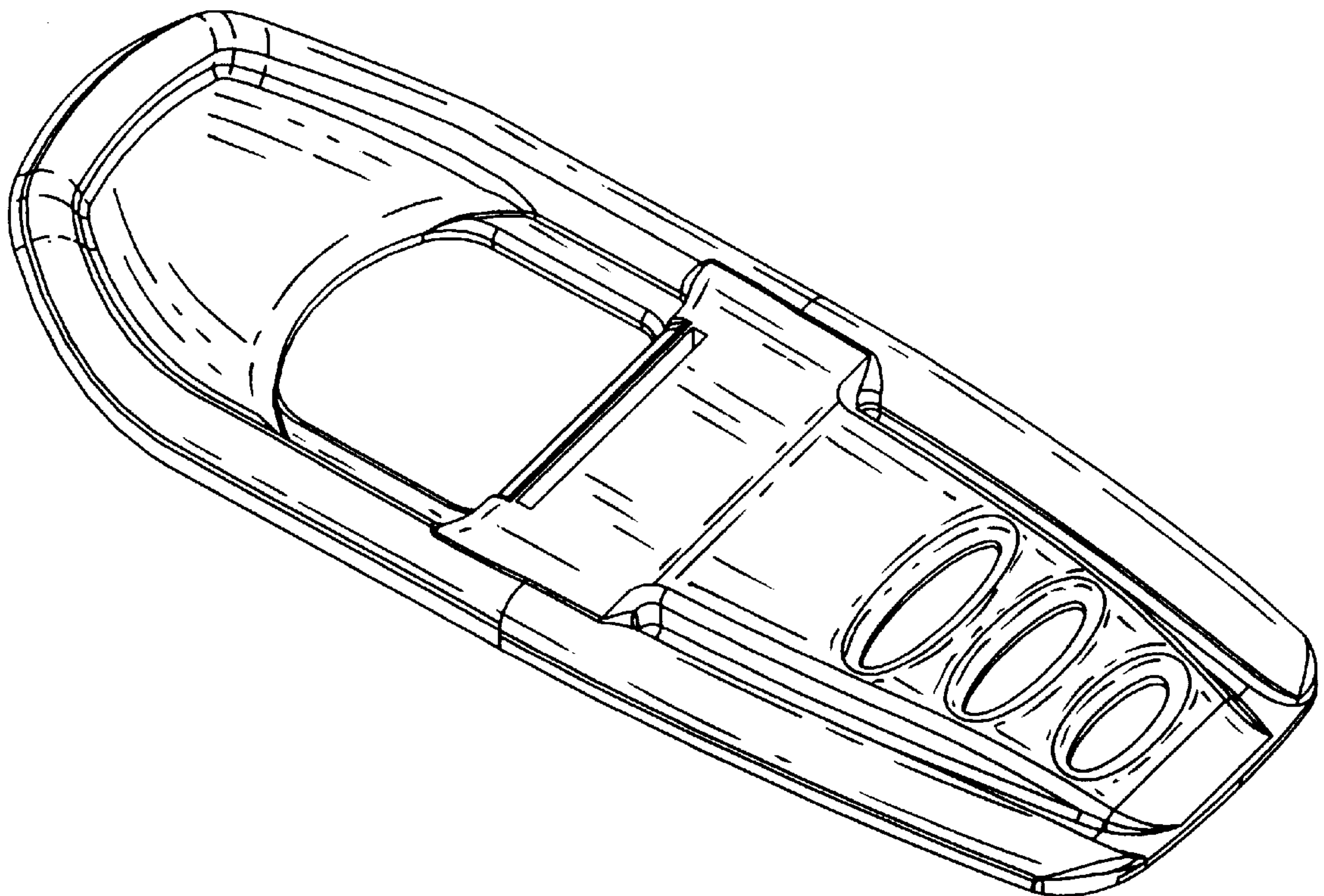
(57) **CLAIM**

The ornamental design for a snowshoe, as shown and described.

DESCRIPTION

FIG. 1 is a top perspective view of the snowshoe;
FIG. 2 is a bottom perspective view of the snowshoe;
FIG. 3 is a top view;
FIG. 4 is a right side view of the snowshoe, the left side being identical but reversed
FIG. 5 is a bottom view;
FIG. 6 is a front view; and,
FIG. 7 is a rear view.

1 Claim, 3 Drawing Sheets



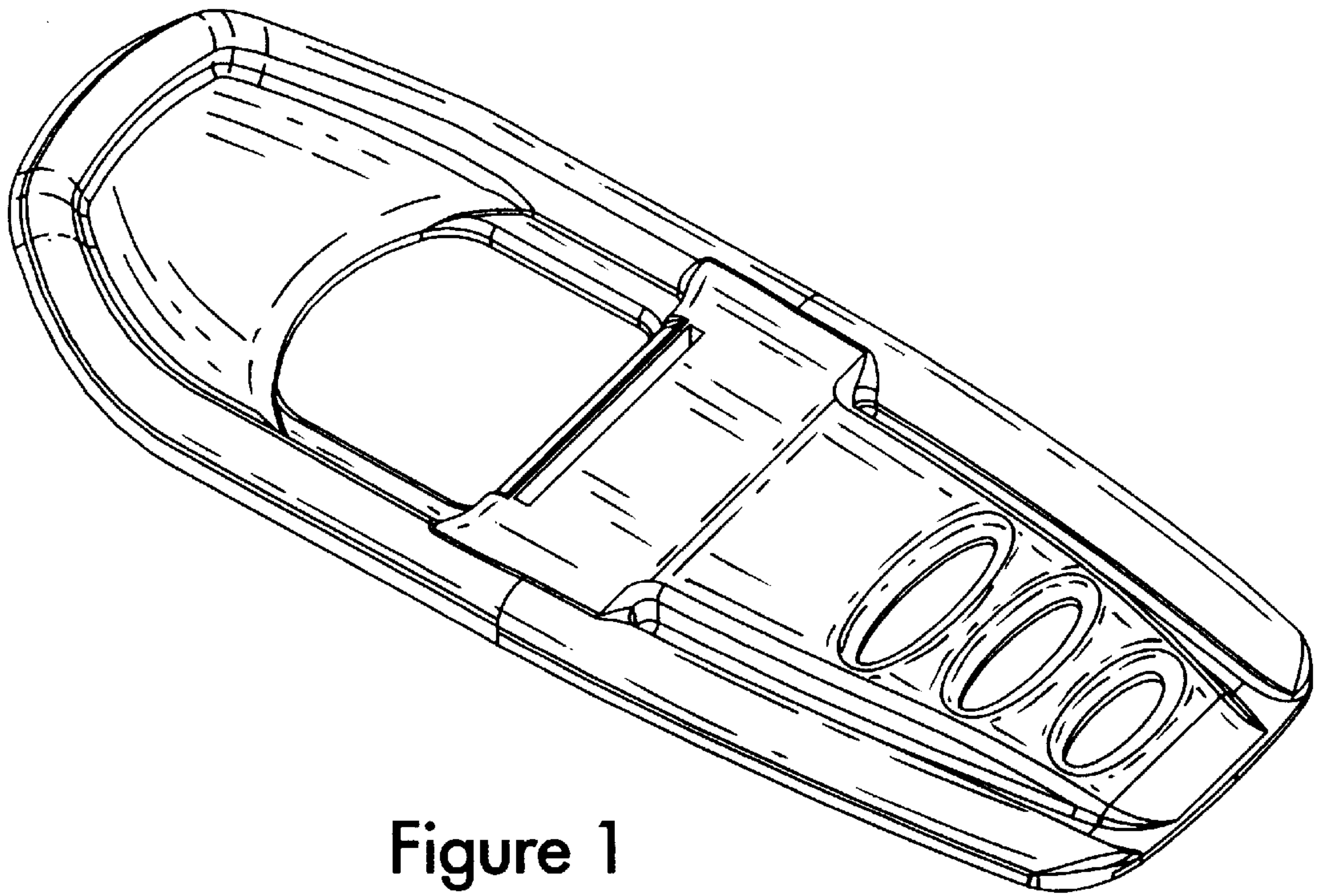


Figure 1

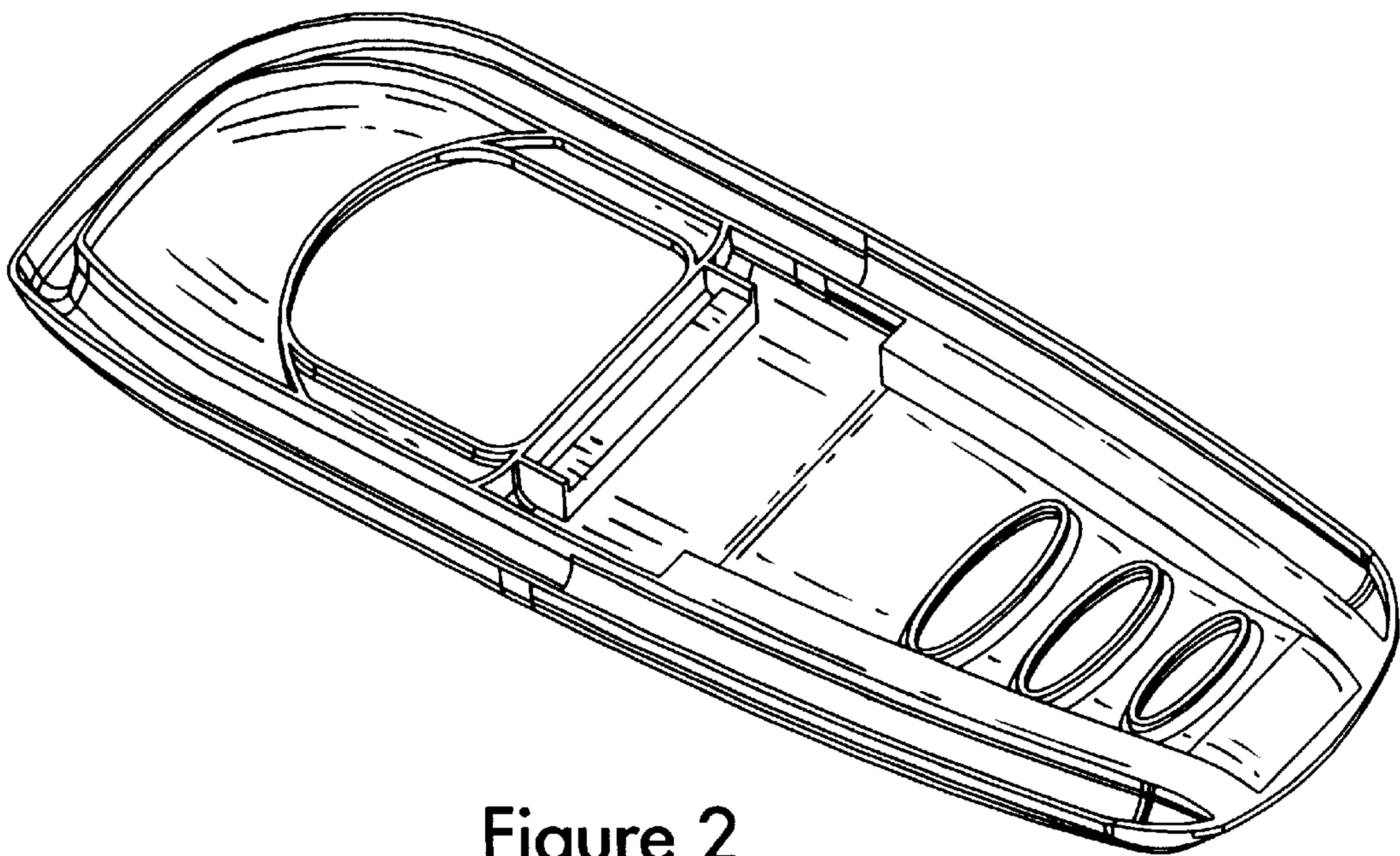


Figure 2

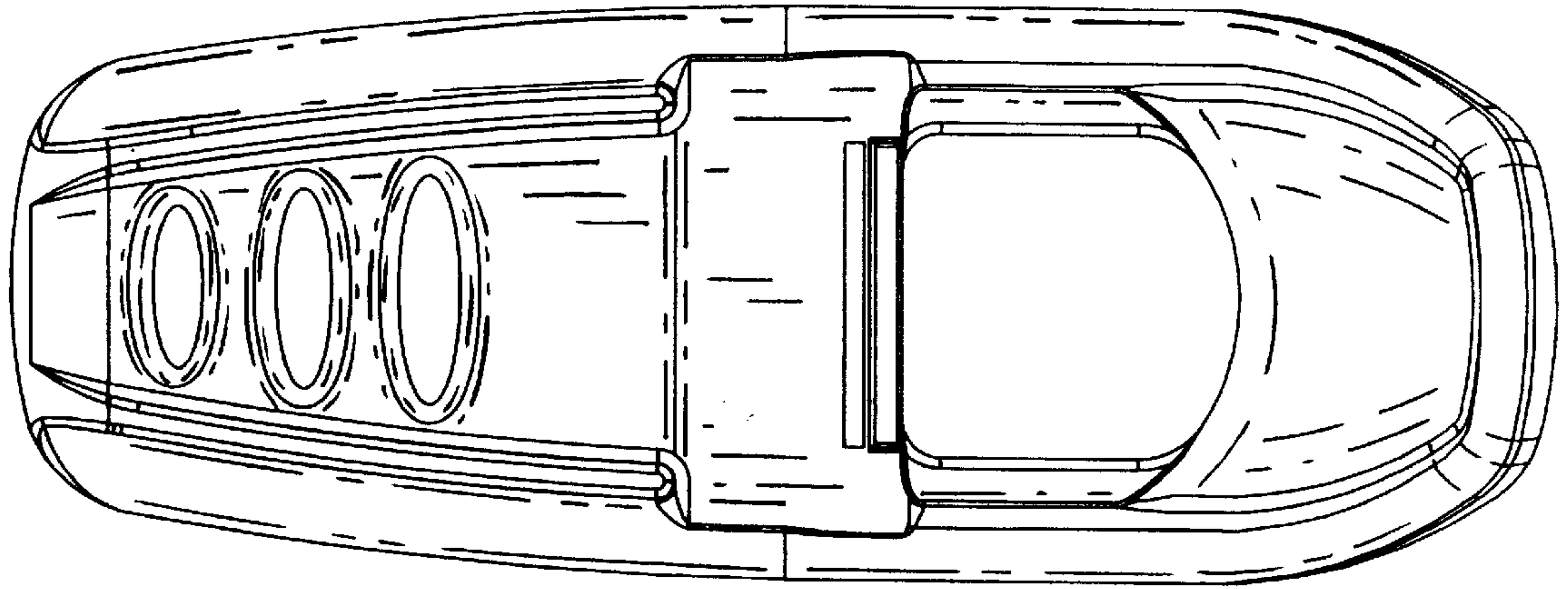


Figure 3

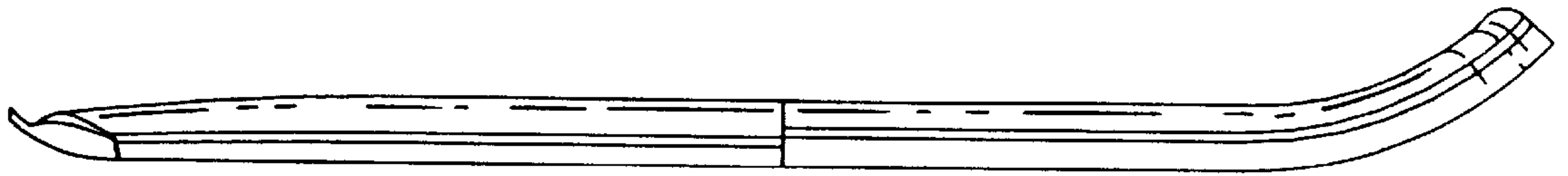


Figure 4

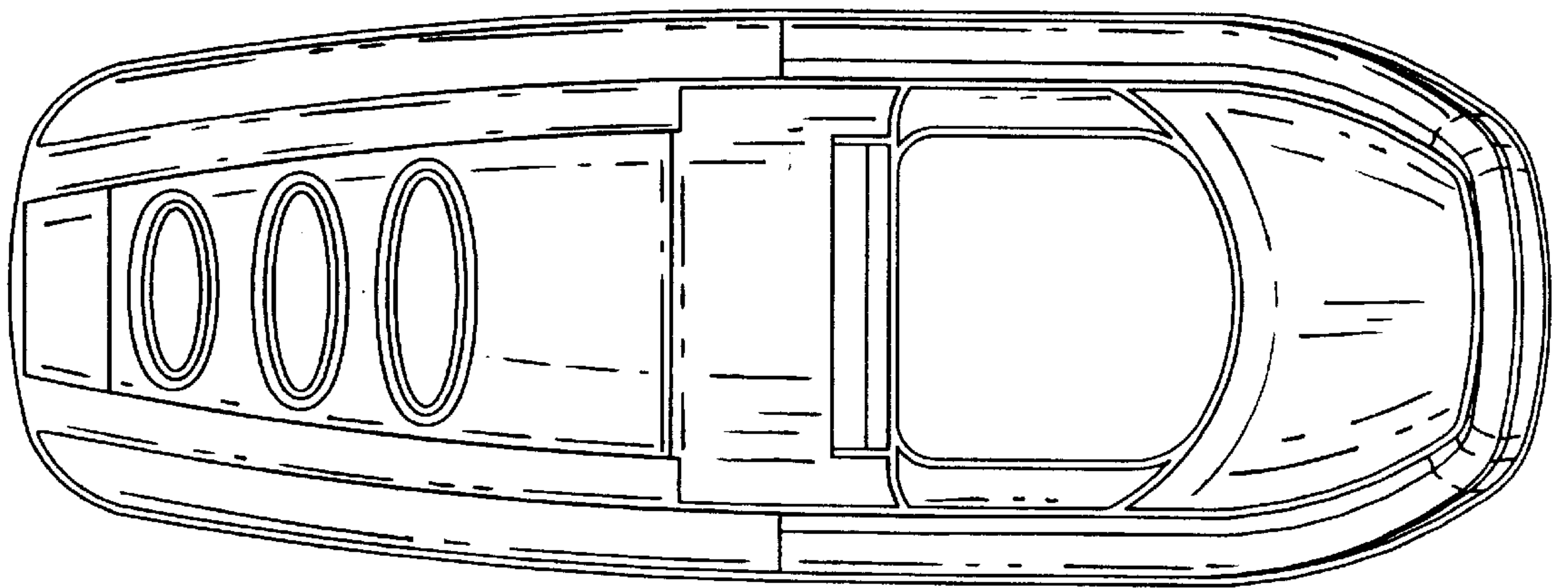


Figure 5



Figure 6

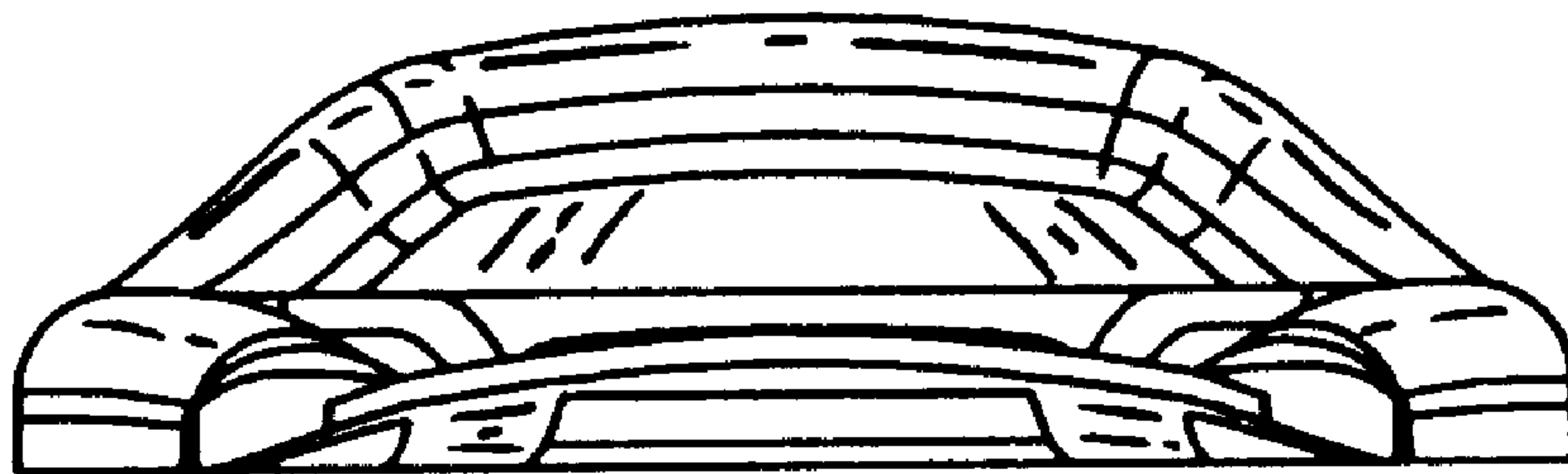


Figure 7