



US00D460990S

(12) **United States Design Patent**
Jung

(10) **Patent No.:** **US D460,990 S**

(45) **Date of Patent:** **** Jul. 30, 2002**

(54) **PUTTER HEAD**

D434,819 S * 12/2000 Hoare D21/736
D437,017 S * 1/2001 Ford D21/744

(76) Inventor: **Man Jung**, 2750 E. Washington Blvd.,
#150, Pasadena, CA (US) 91107

* cited by examiner

(**) Term: **14 Years**

Primary Examiner—Mitchell Siegel

(21) Appl. No.: **29/138,708**

(57) **CLAIM**

(22) Filed: **Mar. 20, 2001**

The ornamental design for a putter head, as shown and described.

(51) **LOC (7) Cl.** **21-02**

DESCRIPTION

(52) **U.S. Cl.** **D21/736**

(58) **Field of Search** D21/736-746;
473/324, 327, 328, 340, 341, 313, 251-256

FIG. 1 is a perspective view of the putter head, the broken line showing of the hosel and shaft is for illustrative purposes only and forms no part of the claimed design;

(56) **References Cited**

FIG. 2 is a perspective view;

U.S. PATENT DOCUMENTS

FIG. 3 is a top plan view of FIG. 2;

D234,960 S * 4/1975 Swash D21/739

FIG. 4 is a top plan view of FIG. 1;

D234,962 S * 4/1975 Swash D21/739

FIG. 5 is a left side view of FIG. 1; and,

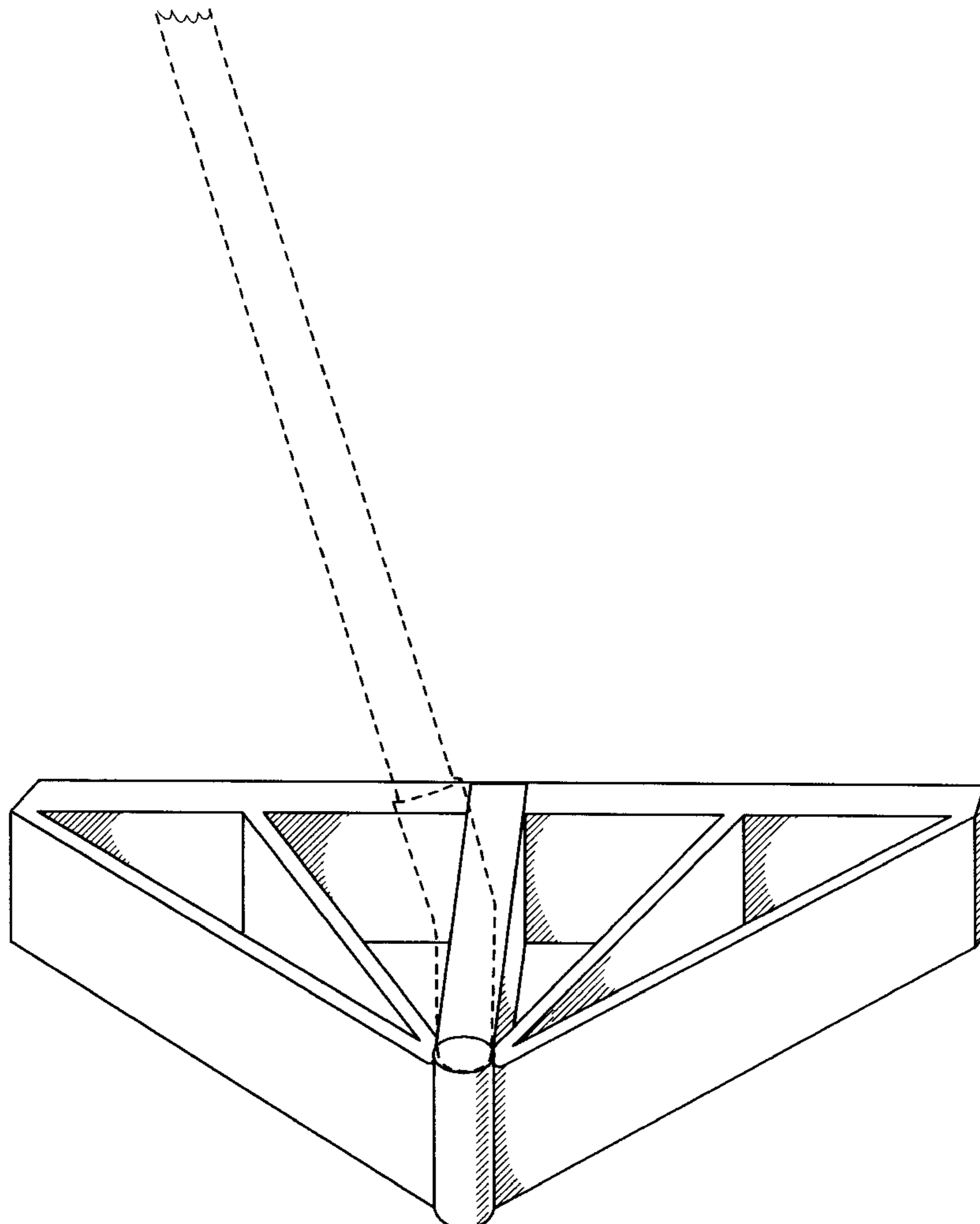
D244,303 S * 5/1977 Cabot D21/739

FIG. 6 is a front view of FIG. 1.

4,815,739 A * 3/1989 Donica 473/313

D382,613 S * 8/1997 Devendorf D21/739

1 Claim, 6 Drawing Sheets



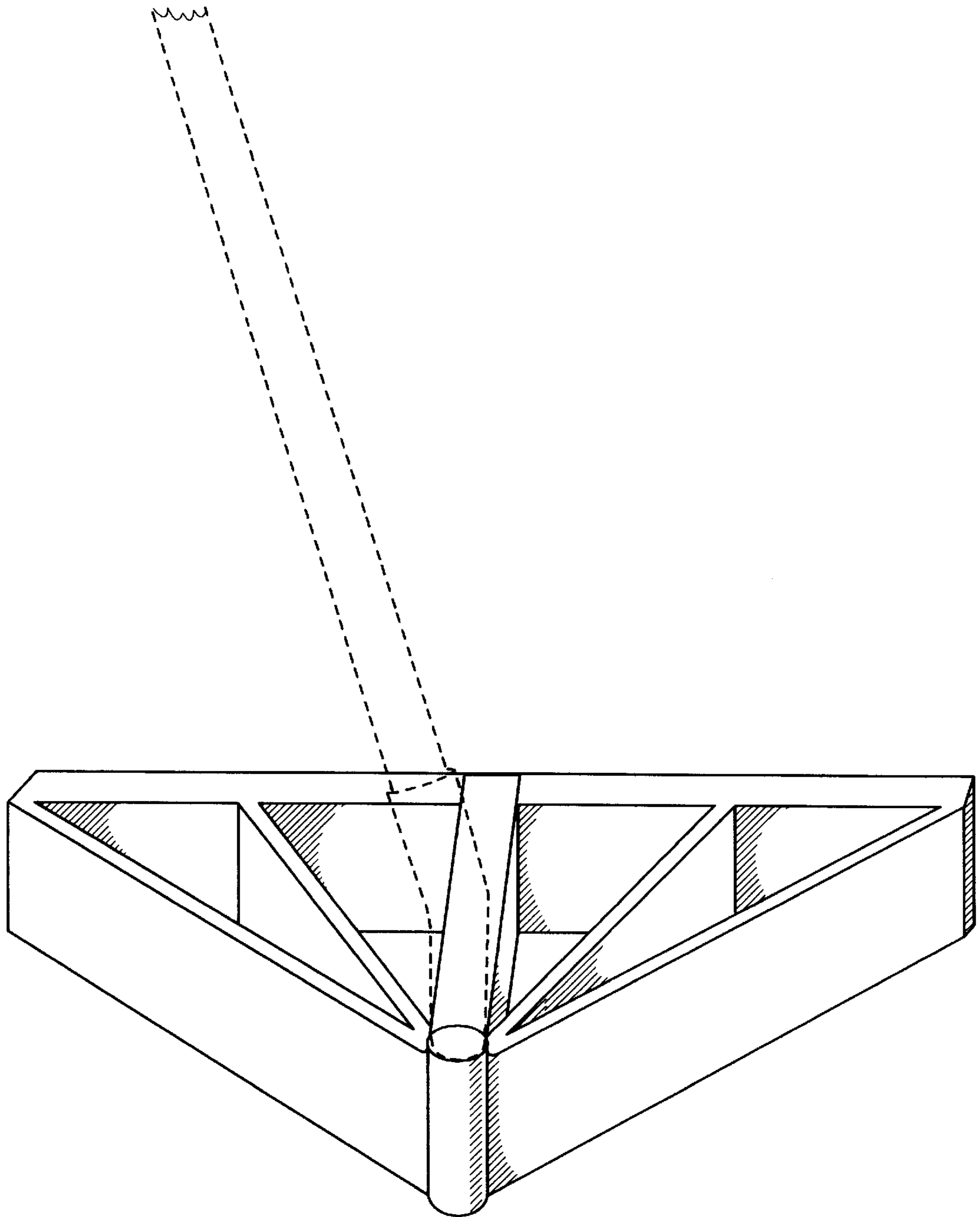


Fig. 1

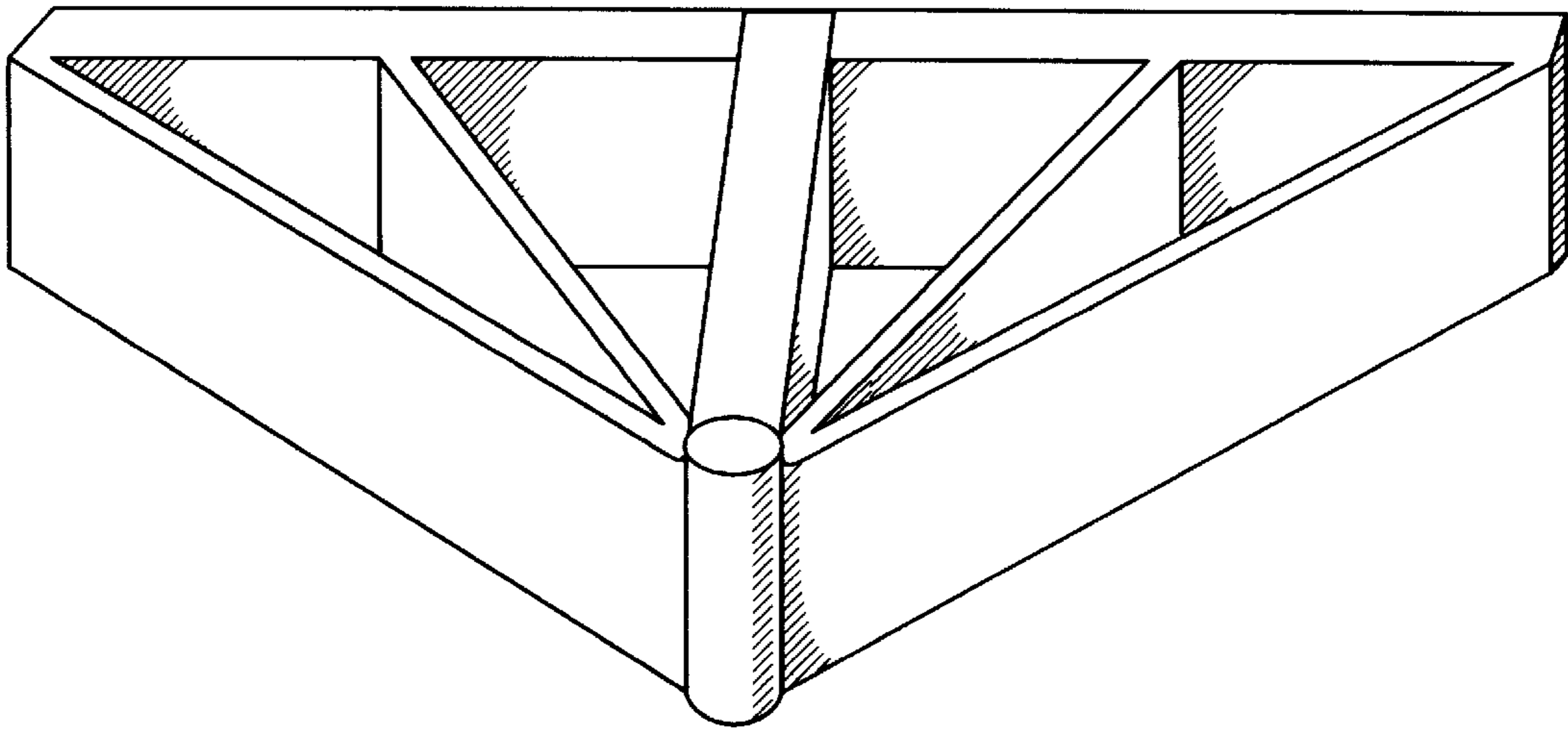


Fig. 2

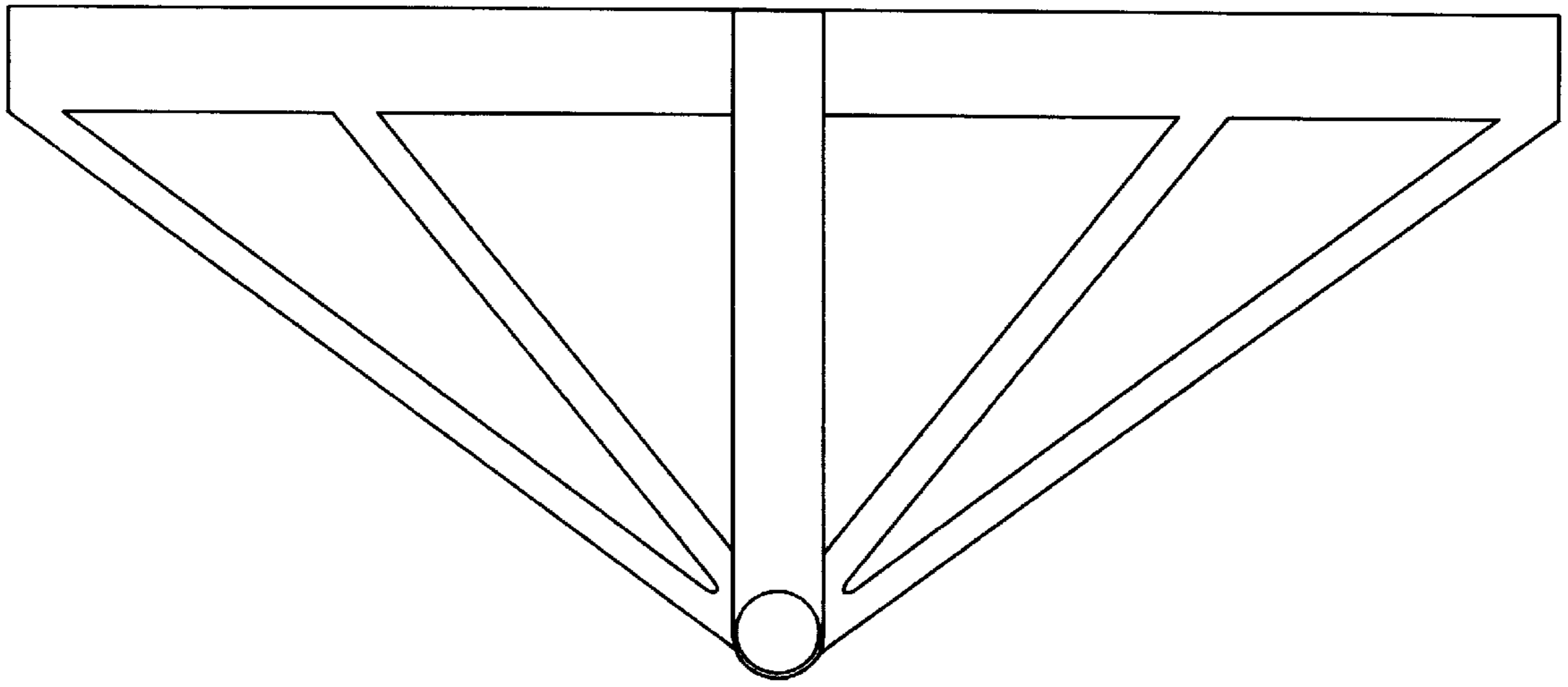


Fig. 3

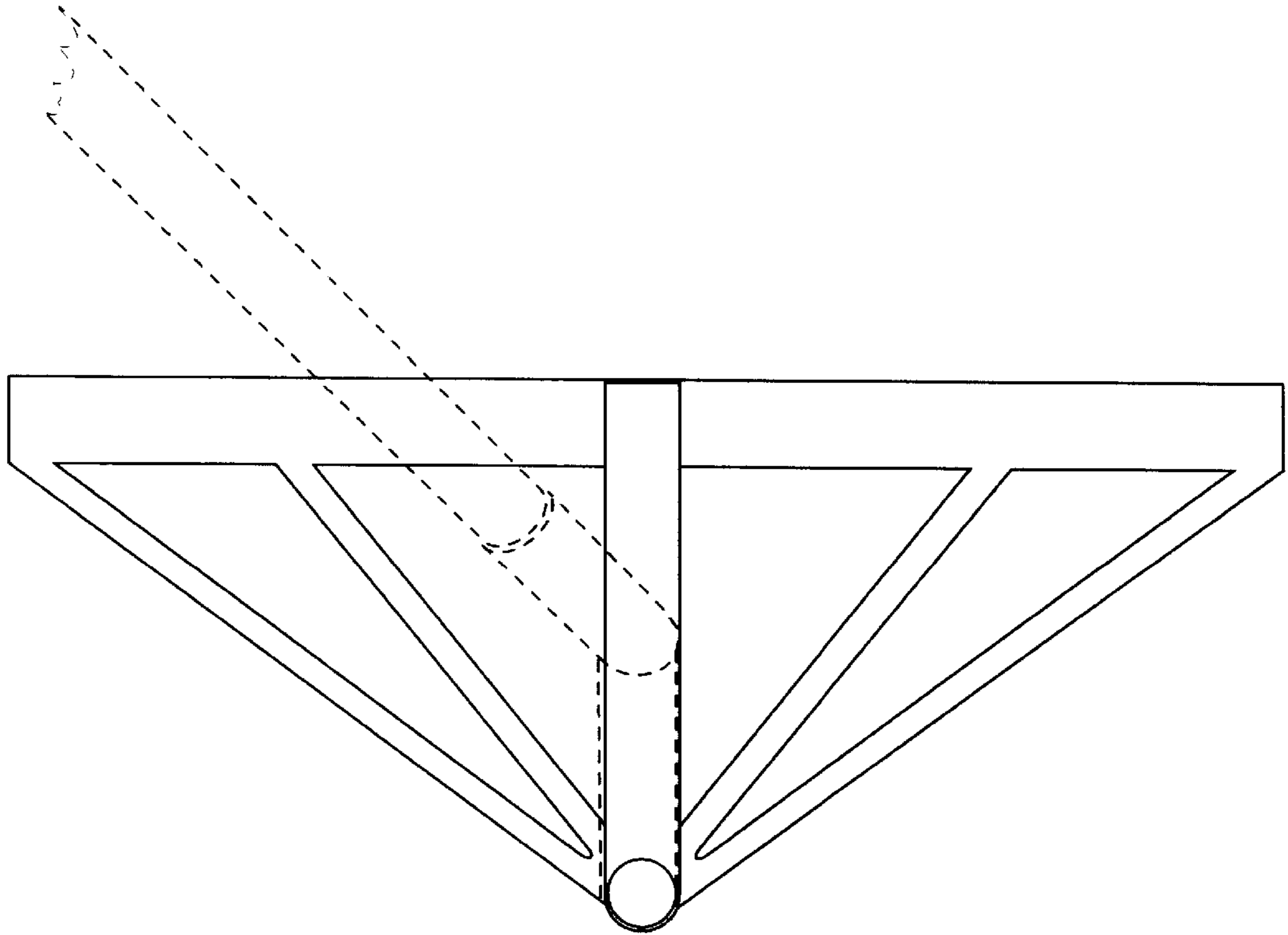


Fig. 4

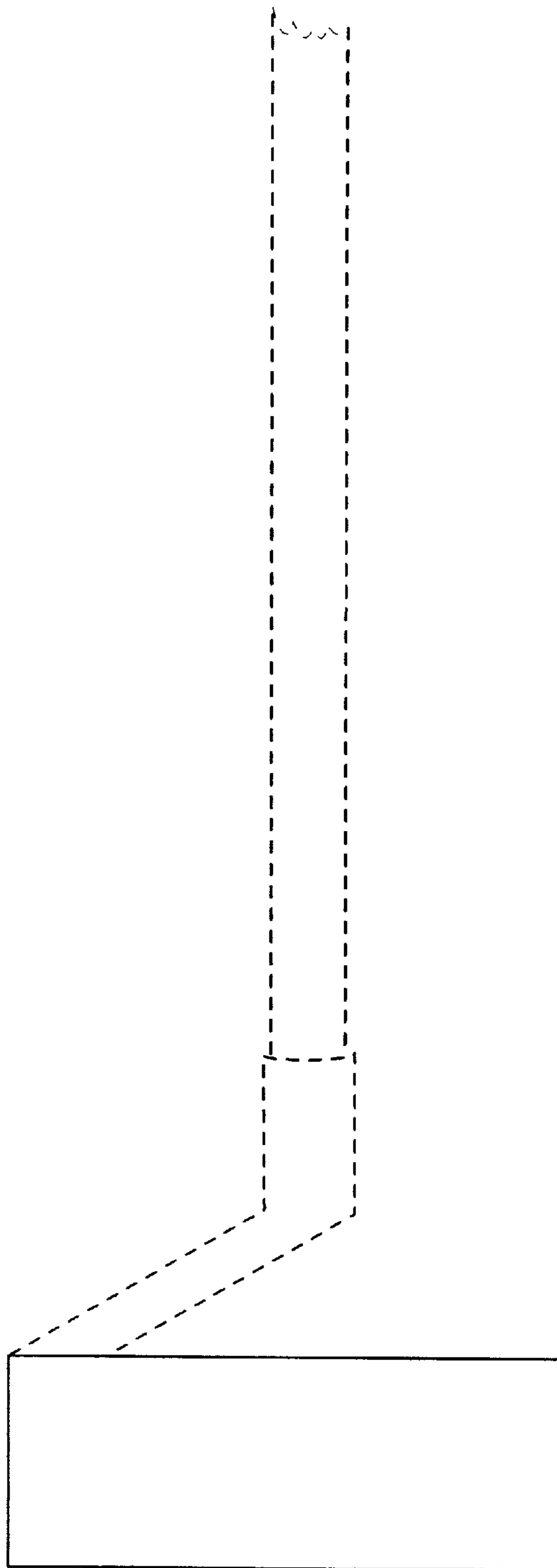


Fig. 5

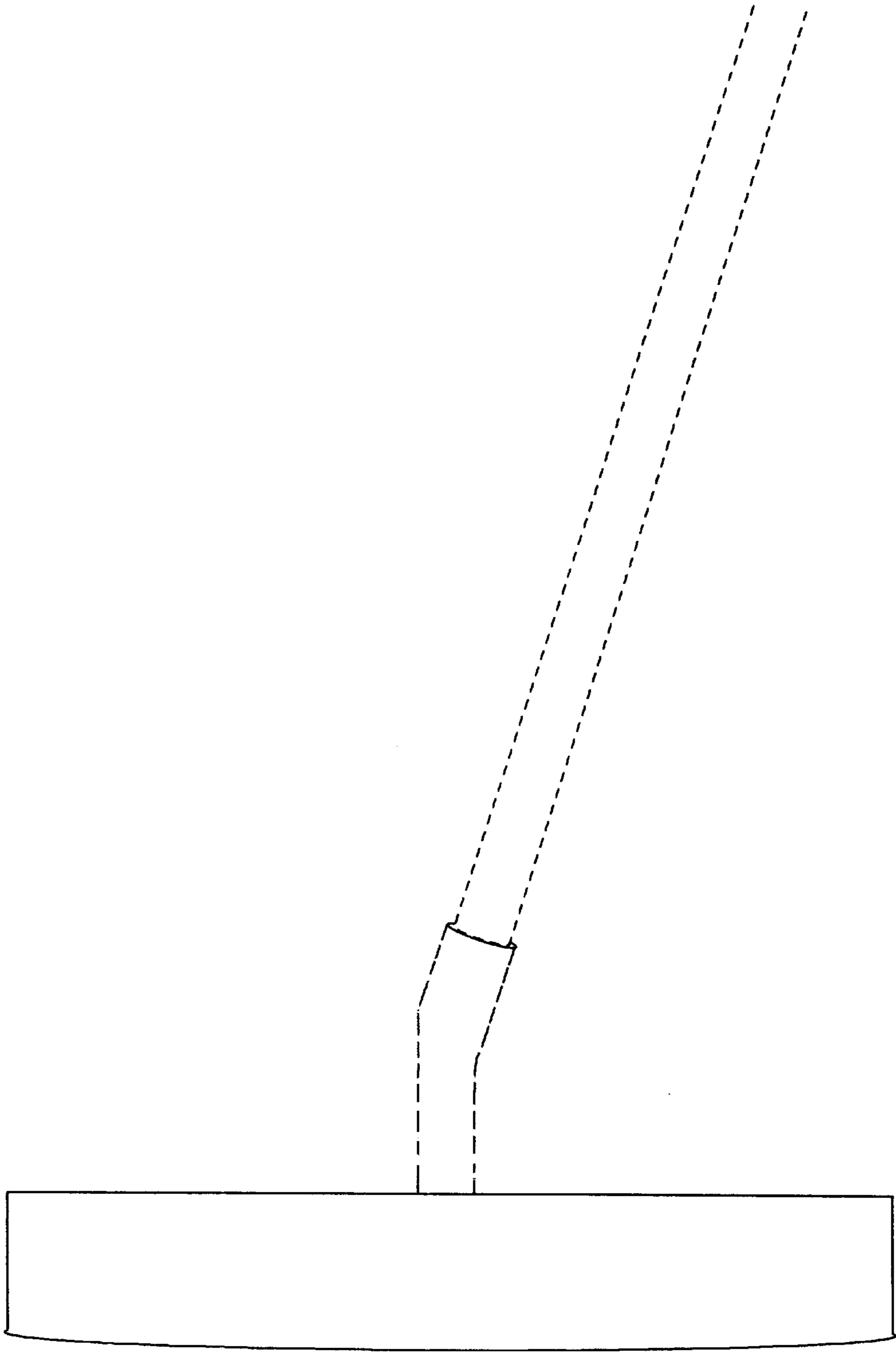


Fig. 6