



US00D460988S

(12) **United States Design Patent**  
**Forvilly et al.**

(10) **Patent No.:** **US D460,988 S**

(45) **Date of Patent:** **\*\* Jul. 30, 2002**

(54) **CYCLE DEVICE FOR EXERCISE AND  
COMPUTER INPUT**

D372,283 S \* 7/1996 Chen ..... D21/663  
D373,395 S \* 9/1996 Chen ..... D21/663  
5,647,822 A \* 7/1997 Avganim ..... 482/57  
5,833,583 A \* 11/1998 Chuang ..... 482/57

(75) Inventors: **Ryan Forvilly**, Stateline; **Gregory House**, Glenbrook; **Cole Larson**, Gardnerville; **Guner Behich**, Reno, all of NV (US)

\* cited by examiner

(73) Assignee: **Realbitz.com**, Minden, NV (US)

*Primary Examiner*—Philip S. Hyder

(74) *Attorney, Agent, or Firm*—Sierra Patent Group, Ltd.

(\*\*) Term: **14 Years**

(57) **CLAIM**

(21) Appl. No.: **29/141,282**

The ornamental design for a cycle device for exercise and computer input, as shown and described.

(22) Filed: **May 2, 2001**

**DESCRIPTION**

(51) **LOC (7) Cl.** ..... **21-02**

(52) **U.S. Cl.** ..... **D21/663**

(58) **Field of Search** ..... D21/662, 663,  
D21/664, 665, 666, 667; 482/51, 57, 60

FIG. 1 is a frontal perspective view of a cycle device for exercise and computer input showing my new design;

FIG. 2 is another frontal perspective view thereof;

FIG. 3 is a rear perspective view thereof; and,

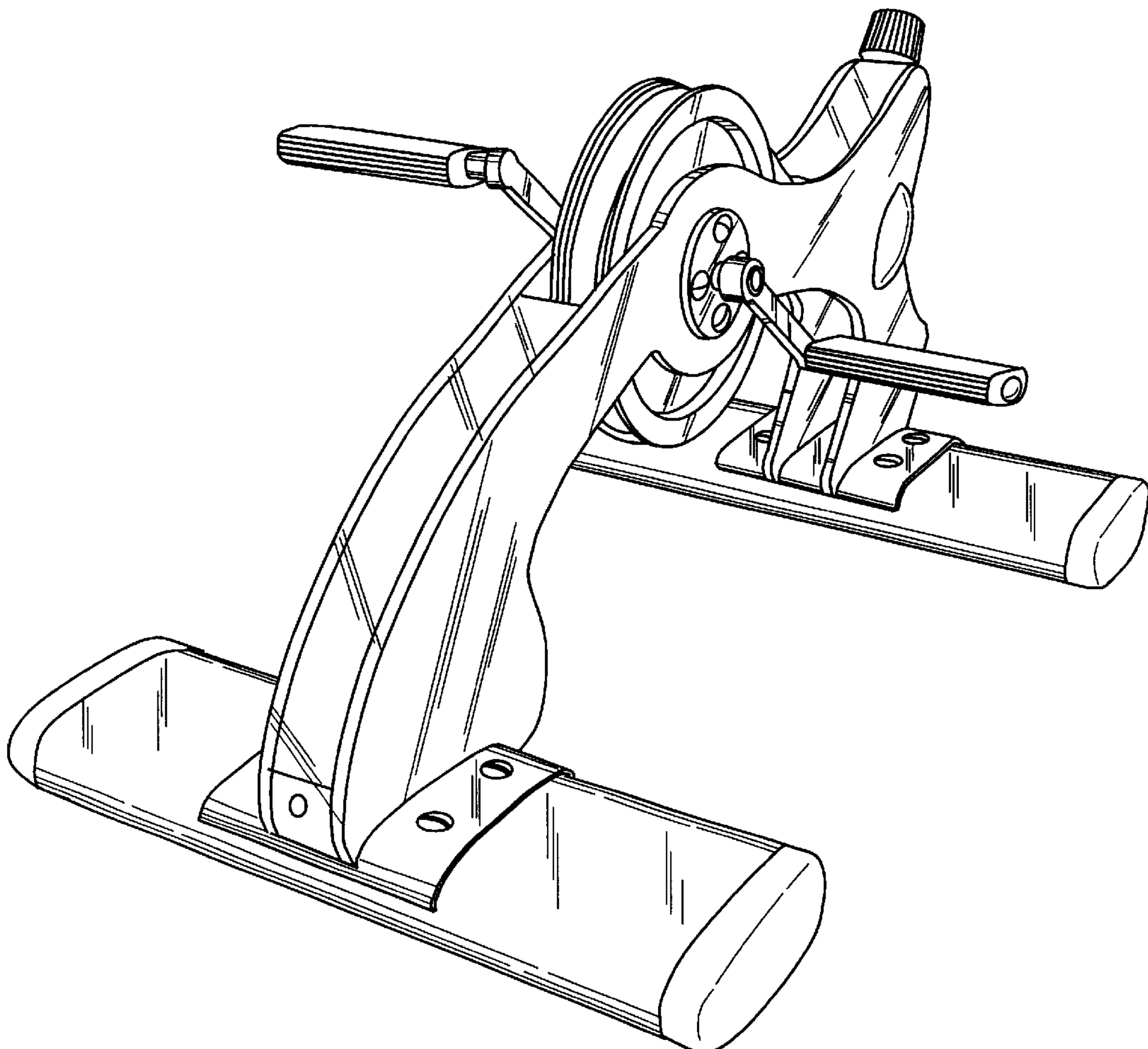
FIG. 4 is a side view thereof.

(56) **References Cited**

**U.S. PATENT DOCUMENTS**

D281,710 S \* 12/1985 Kirby ..... D21/663

**1 Claim, 4 Drawing Sheets**



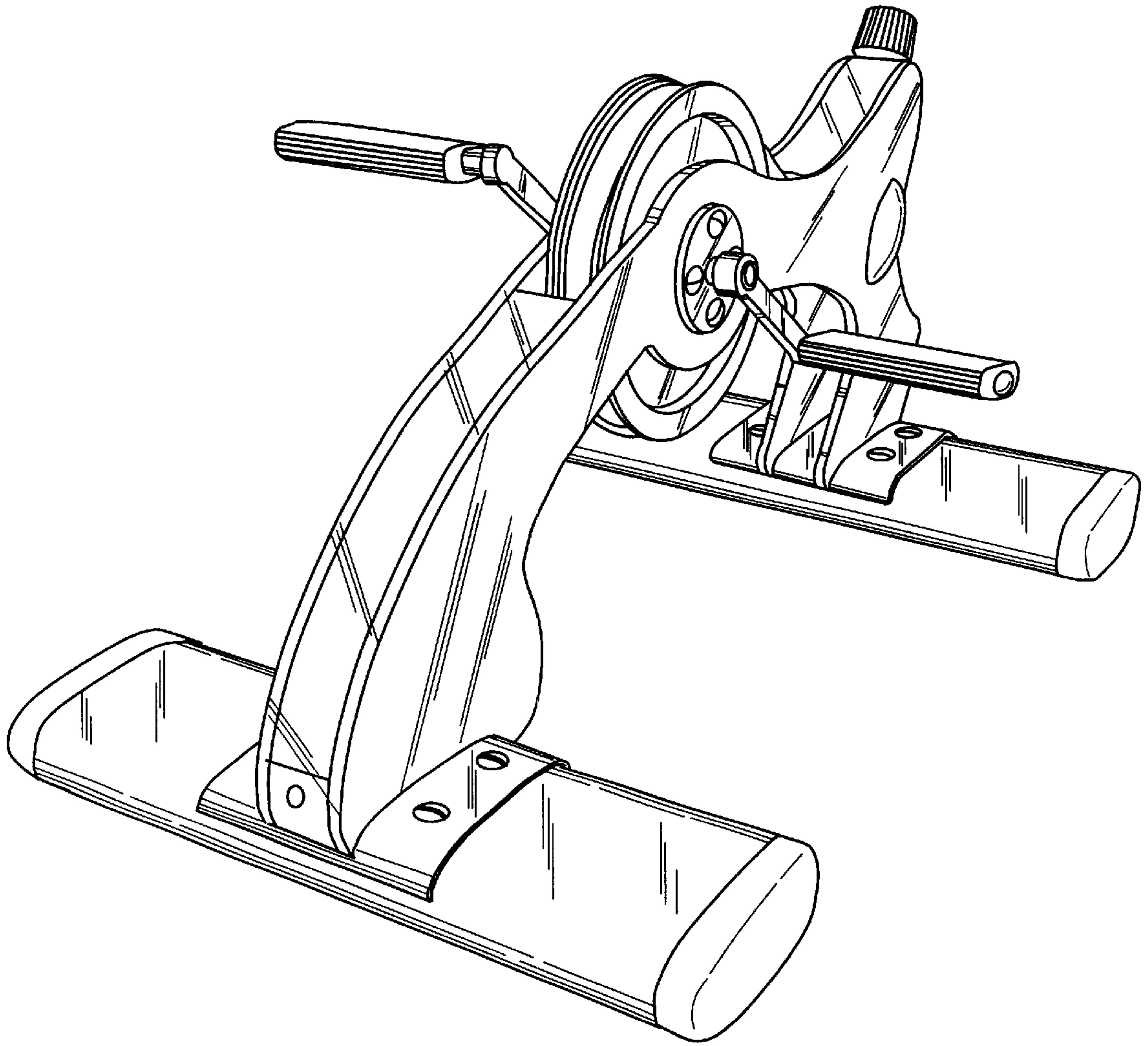


Fig.1

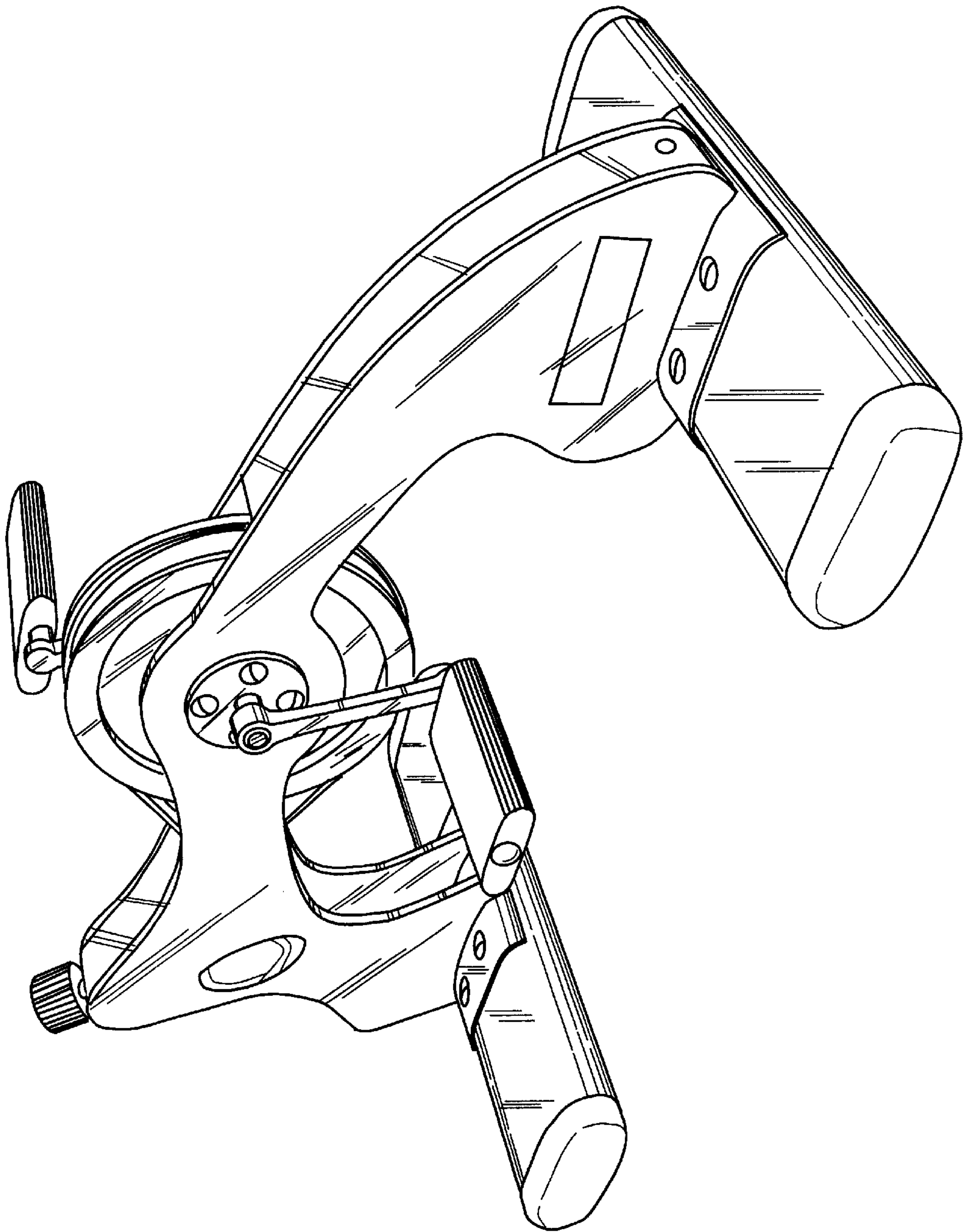


Fig.2



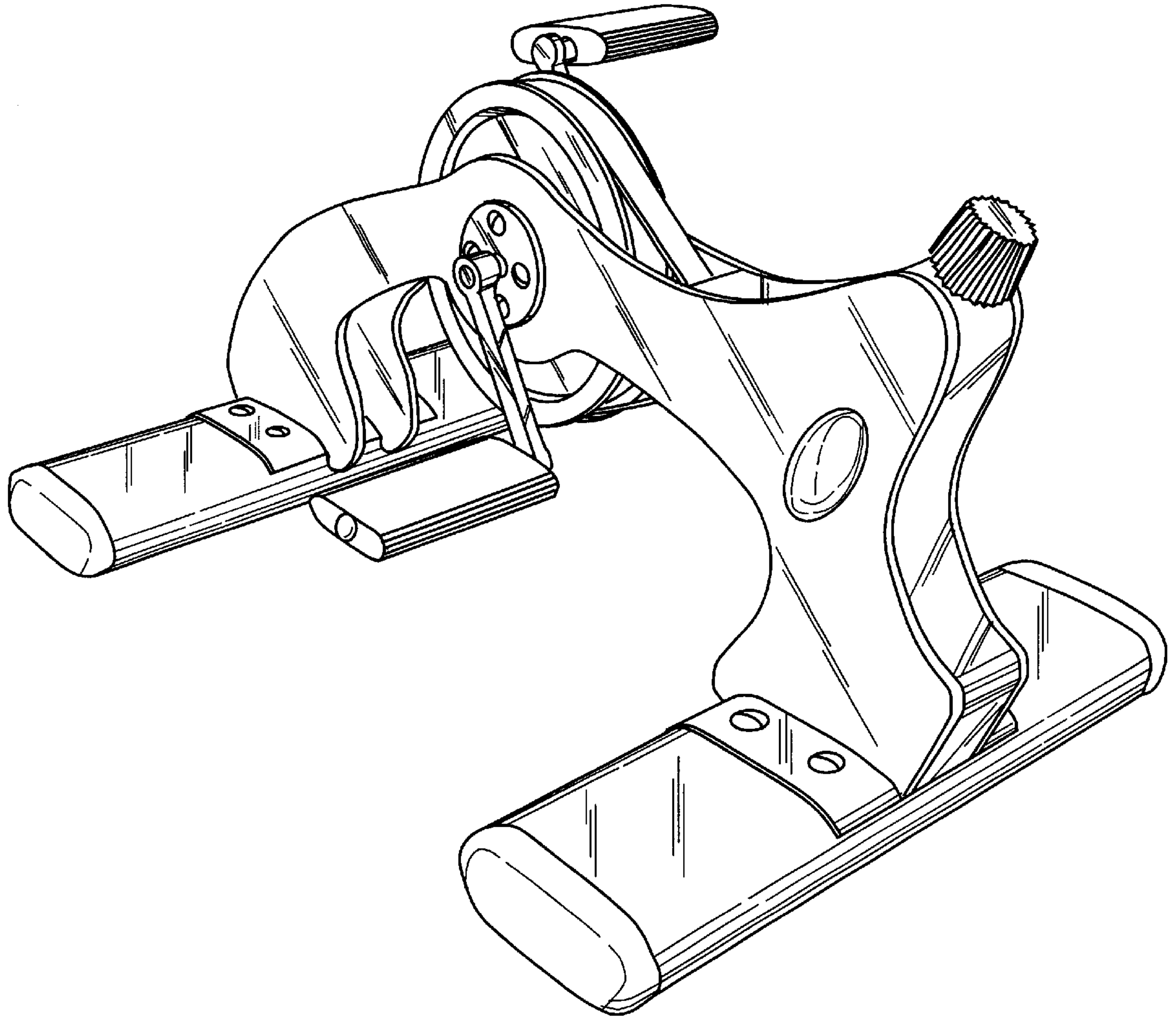


Fig.3

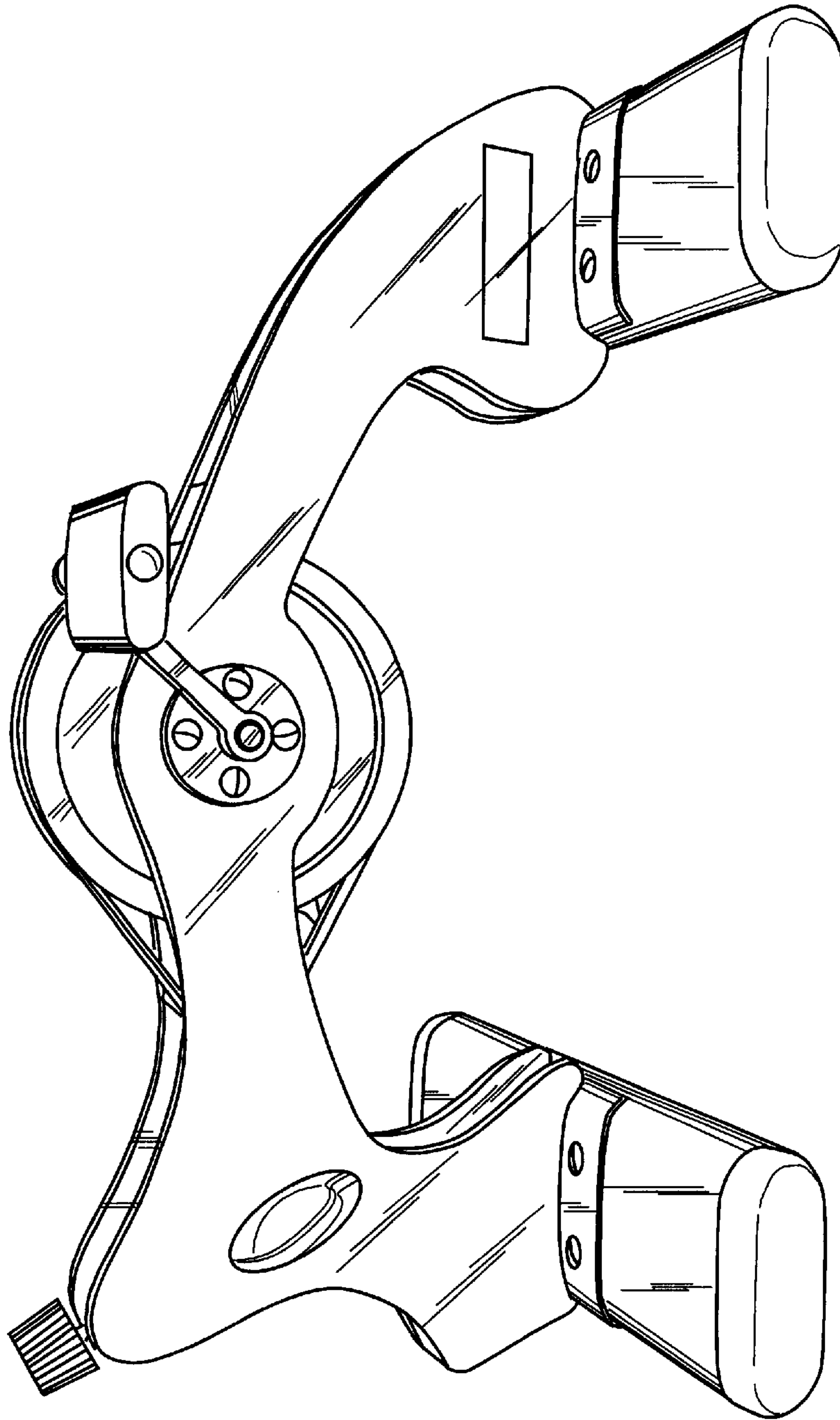


Fig.4