



US00D460983S

(12) **United States Design Patent**
Fiori et al.

(10) **Patent No.:** **US D460,983 S**

(45) **Date of Patent:** **** Jul. 30, 2002**

(54) **CLIP FOR A WRITING INSTRUMENT**

(75) Inventors: **Timothy J. Fiori**, Albany; **Steven A. Singer**, Galway, both of NY (US)

(73) Assignee: **Holland USA, Inc.**, North Mankato, MN (US)

(**) Term: **14 Years**

(21) Appl. No.: **29/145,124**

(22) Filed: **Jul. 16, 2001**

(51) **LOC (7) Cl.** **19-06**

(52) **U.S. Cl.** **D19/56**

(58) **Field of Search** D19/35, 36, 41-51,
D19/53-58, 81-85; 401/98, 202, 213, 243-247,
262; 24/10 R, 11 R, 11 CC, 11 PP, 11 C,
11 P, 11 F

(56) **References Cited**

U.S. PATENT DOCUMENTS

1,756,241	A	*	4/1930	Coebler	24/11	F
2,130,853	A	*	9/1938	Marshall	24/11	F
2,655,702	A	*	10/1953	Gorman	24/11	R
D258,220	S	*	2/1981	Oka	D19/56	
D398,025	S	*	9/1998	Hackler	D19/42	
D409,241	S	*	5/1999	Melnick	D19/36	
D421,771	S	*	3/2000	Avenatti	D19/48	
D451,137	S	*	11/2001	Reichmann	D19/36	

* cited by examiner

Primary Examiner—Martie K. Holtje

(74) *Attorney, Agent, or Firm*—Gray, Plant, Mooty, Mooty & Bennett, P.A.

(57) **CLAIM**

We claim the ornamental design for a clip for a writing instrument, as shown and described.

DESCRIPTION

FIG. 1 is a perspective view of a clip for a writing instrument showing our new design;

FIG. 2 is a top view;

FIG. 3 is a bottom view;

FIG. 4 is a left view;

FIG. 5 is a right view;

FIG. 6 is a front view;

FIG. 7 is a rear view;

FIG. 8 is another perspective view; and,

FIG. 9 is a front view of an alternate embodiment showing a region of the clip having contrasting material.

A portion of the clip shown in dashed lines is for illustrative purposes only, and forms no part of the claimed design.

The writing instrument shown in broken lines in FIG. 8 is for illustrative purposes only, and forms no part of the claimed design.

1 Claim, 3 Drawing Sheets

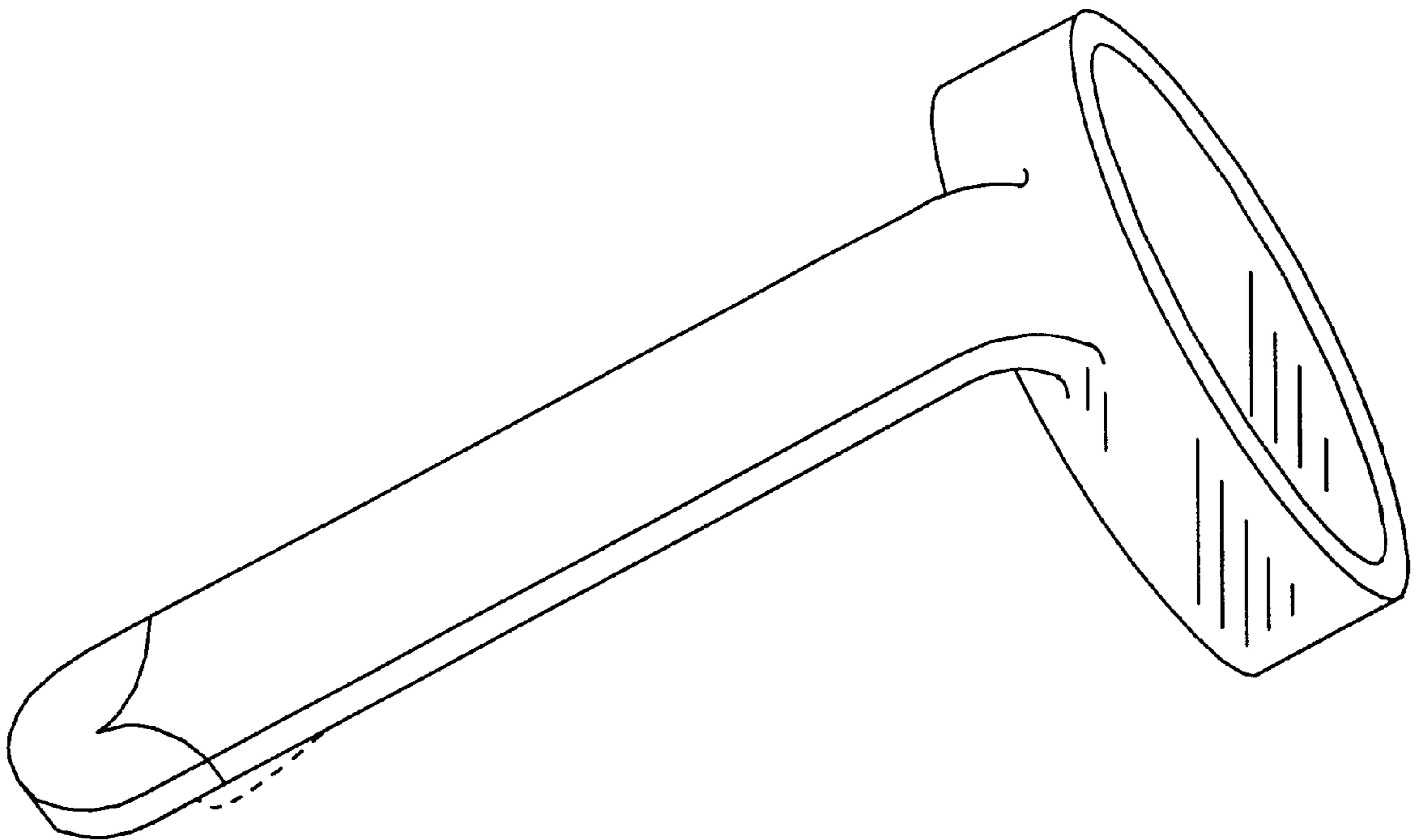


FIG. 1

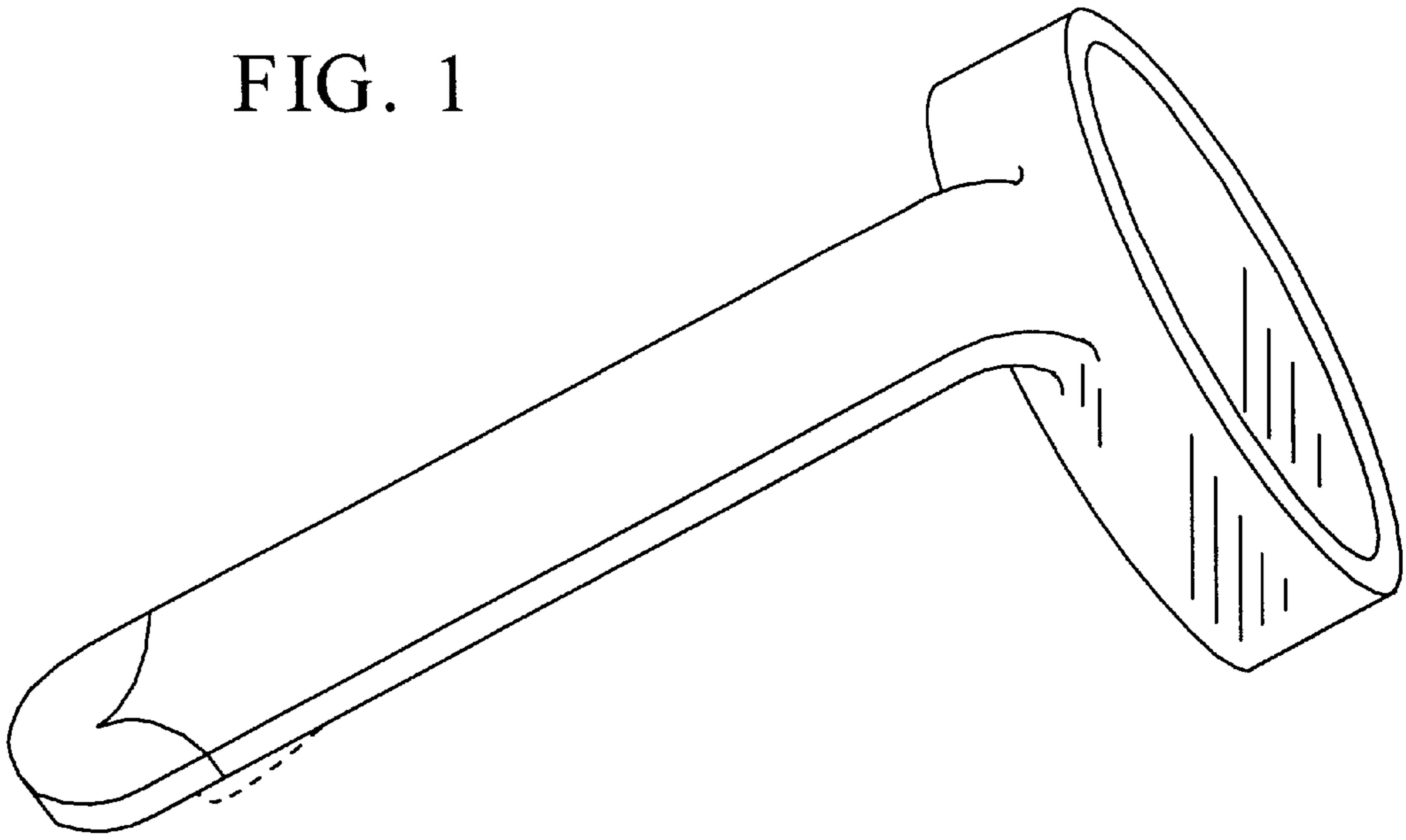


FIG. 2

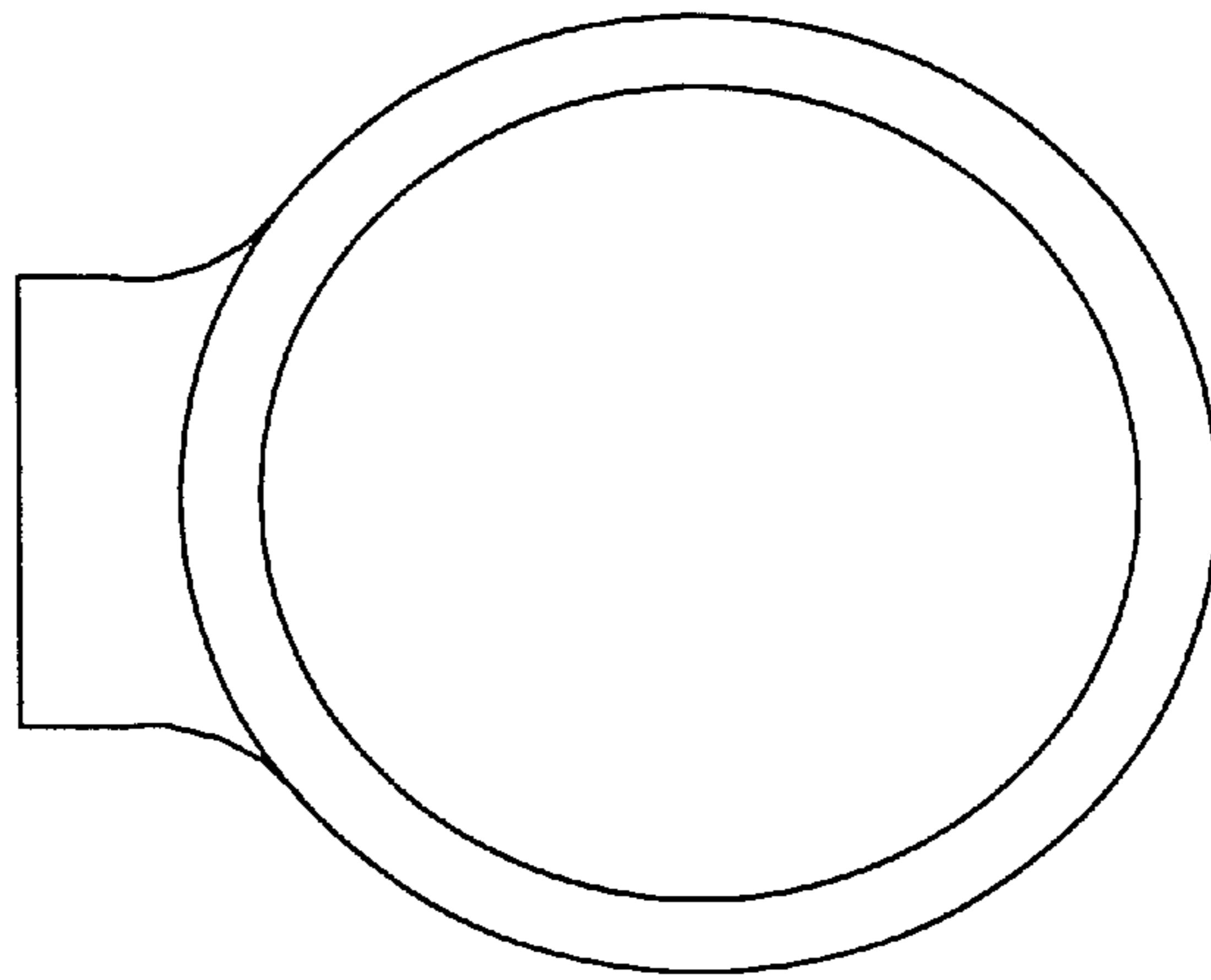


FIG. 3

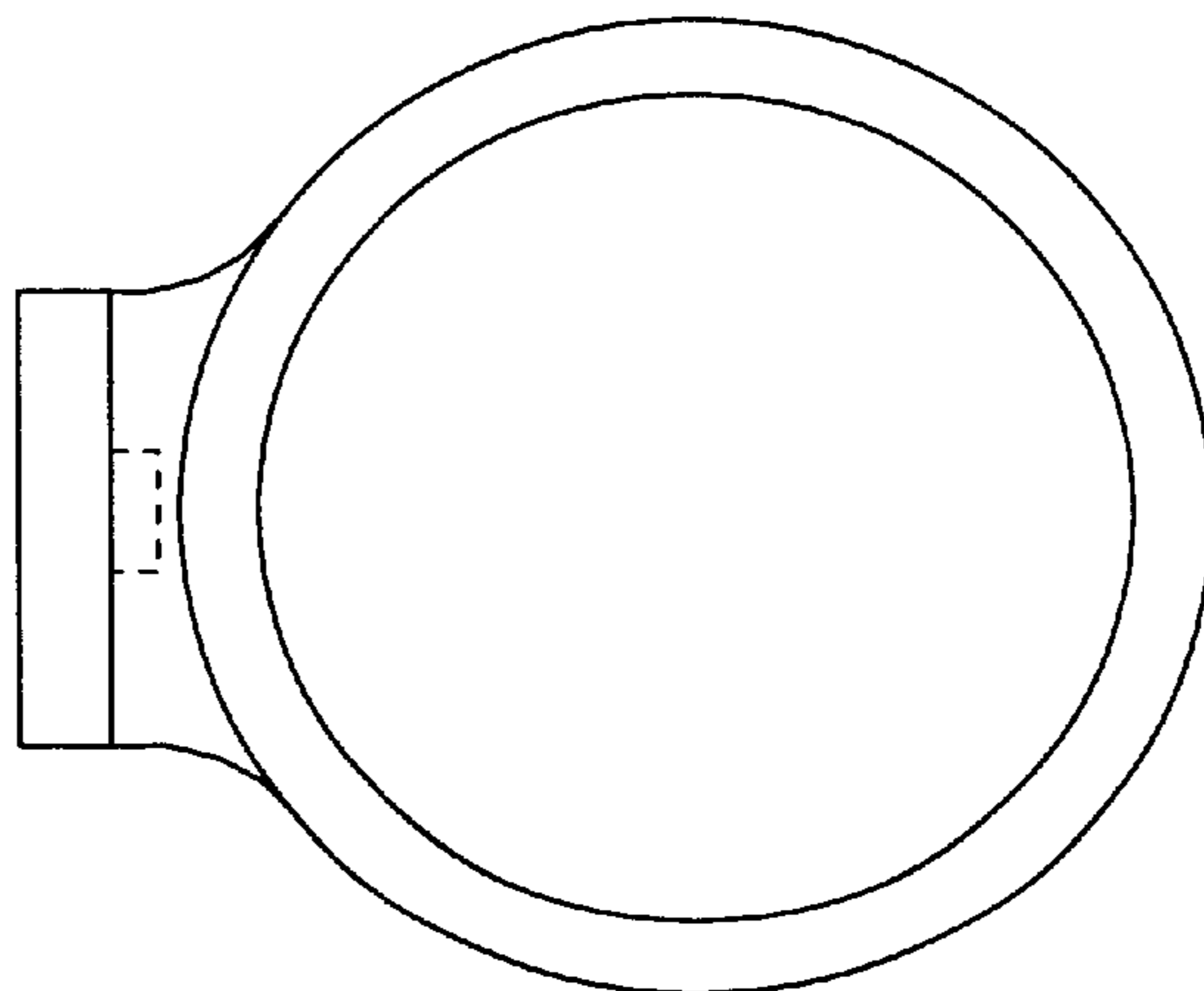


FIG. 4

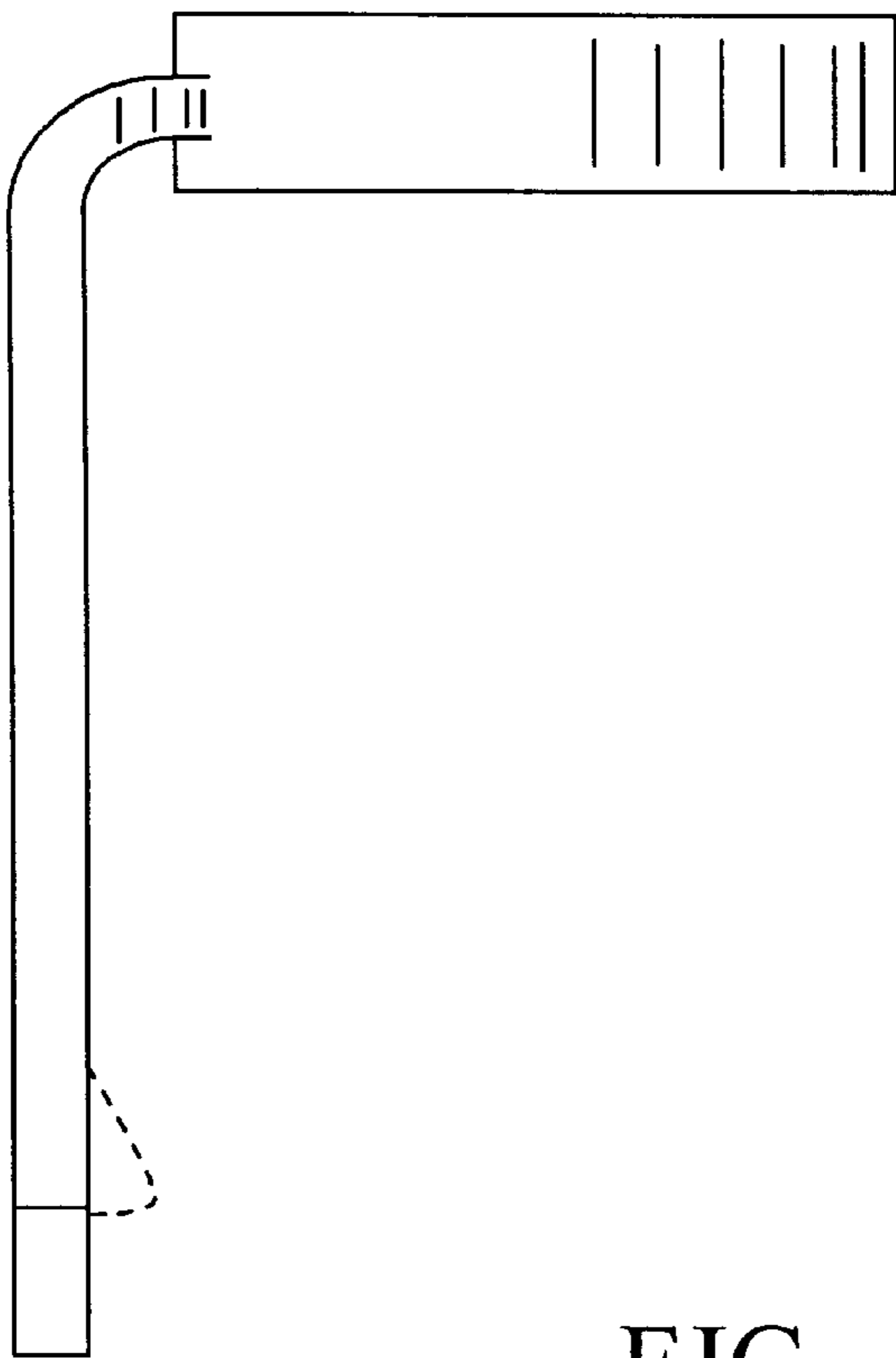


FIG. 5

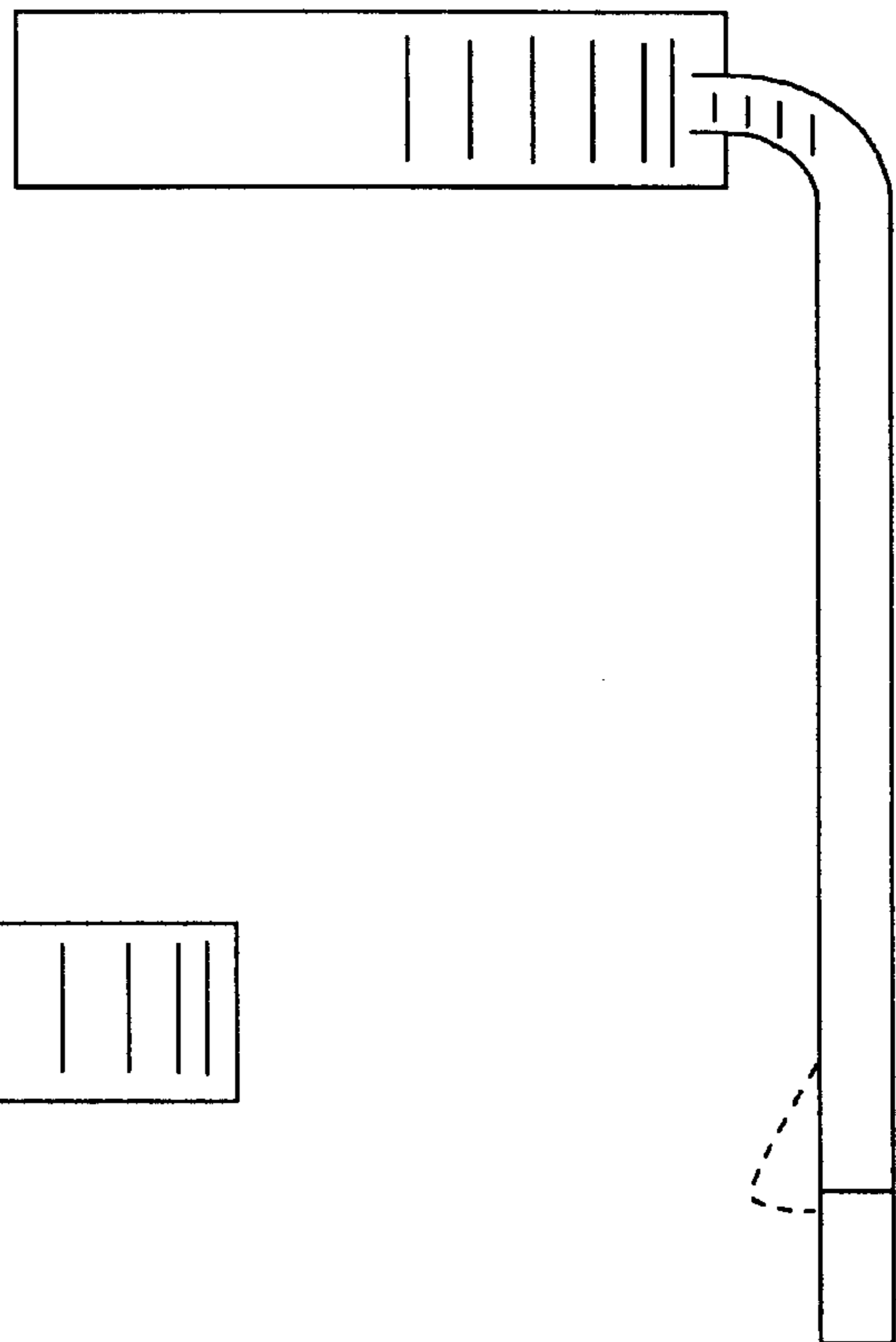


FIG. 6

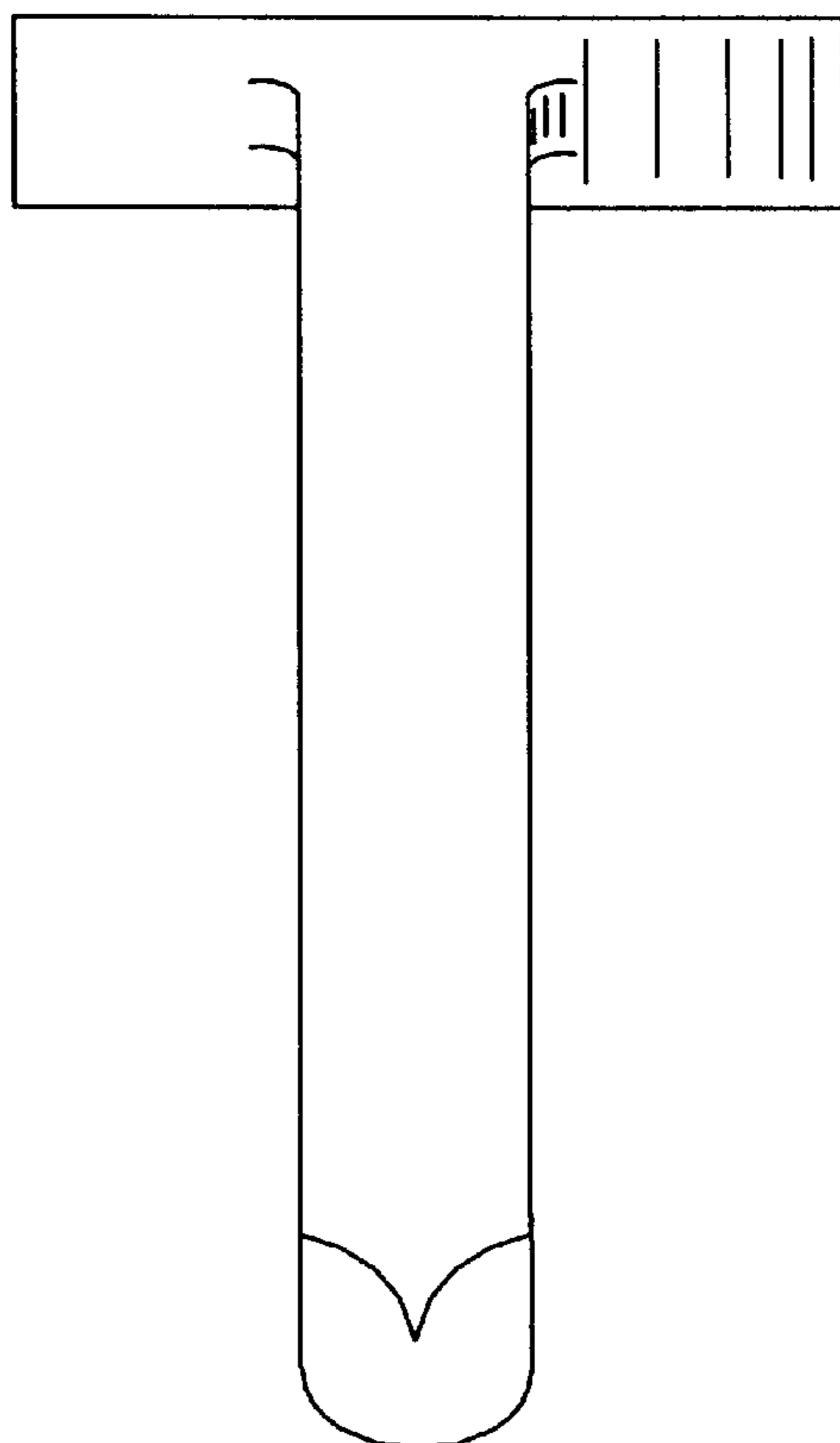


FIG. 7

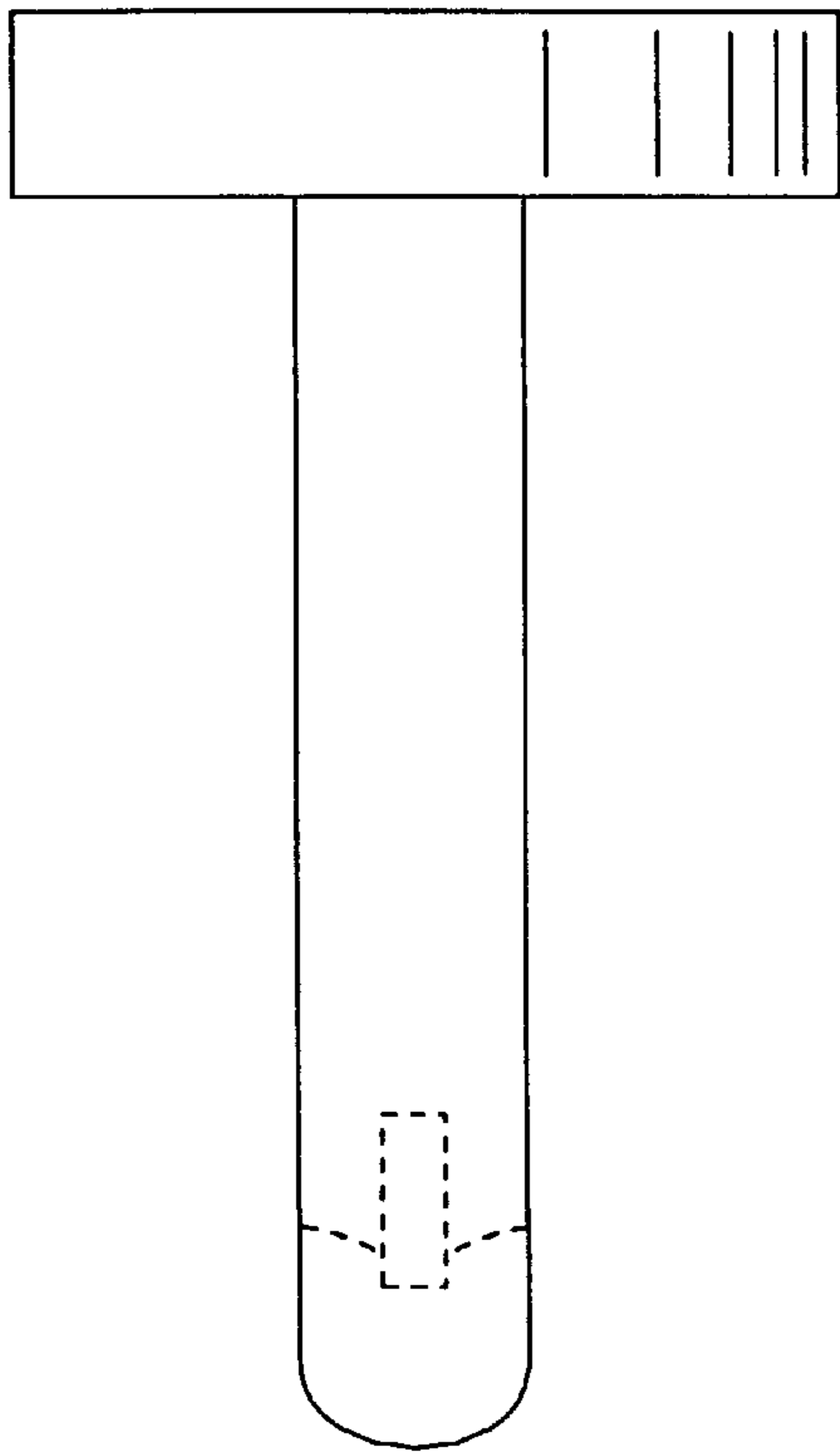


FIG. 8

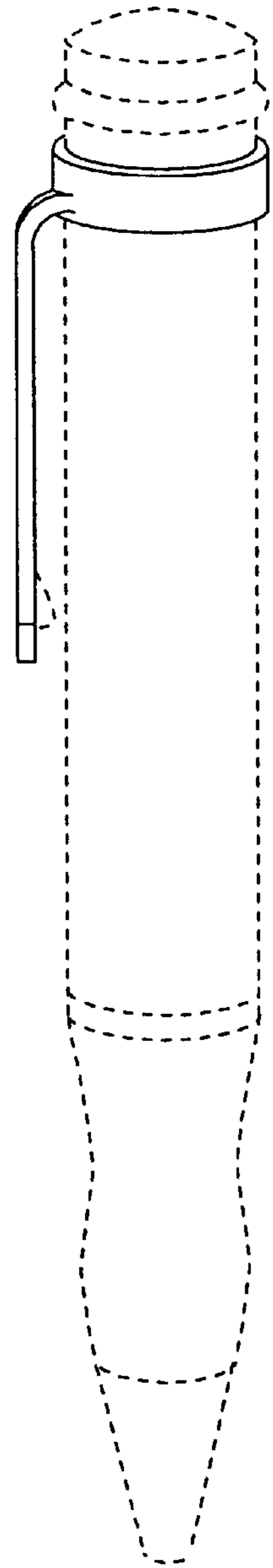


FIG. 9

