



US00D460980S

(12) **United States Design Patent**  
**Matsuzaki et al.**

(10) **Patent No.:** **US D460,980 S**

(45) **Date of Patent:** **\*\* Jul. 30, 2002**

(54) **IMAGE FORMING APPARATUS**

D443,636 S \* 6/2001 Kurosawa et al. .... D18/43

(75) Inventors: **Hiroomi Matsuzaki**, Mishima;  
**Nobuhiro Takeuchi**, Yokohama, both  
of (JP)

\* cited by examiner

*Primary Examiner*—Caron D. Veynar

(73) Assignee: **Canon Kabushik Kaisha**, Tokyo (JP)

(74) *Attorney, Agent, or Firm*—Fitzpatrick, Cella, Harper &  
Scinto

(\*\*) Term: **14 Years**

(57) **CLAIM**

(21) Appl. No.: **29/146,388**

The ornamental design for an image forming apparatus, as  
shown and described.

(22) Filed: **Aug. 10, 2001**

(30) **Foreign Application Priority Data**

**DESCRIPTION**

Feb. 20, 2001 (JP) ..... 2001-003774

FIG. 1 is a front view of an image forming apparatus  
showing our new design;

(51) **LOC (7) Cl.** ..... **16-03**

FIG. 2 is a rear view thereof;

(52) **U.S. Cl.** ..... **D18/40**

FIG. 3 is a top plan view thereof;

(58) **Field of Search** ..... D18/40, 43, 56;  
399/24-27, 31, 130, 262; 222/DIG. 1

FIG. 4 is a bottom plan view thereof;

FIG. 5 is a left side view thereof;

(56) **References Cited**

FIG. 6 is a right side view thereof; and,

FIG. 7 is a perspective view as viewed thereof.

**U.S. PATENT DOCUMENTS**

D417,694 S \* 12/1999 Miyazawa ..... D18/40

**1 Claim, 6 Drawing Sheets**

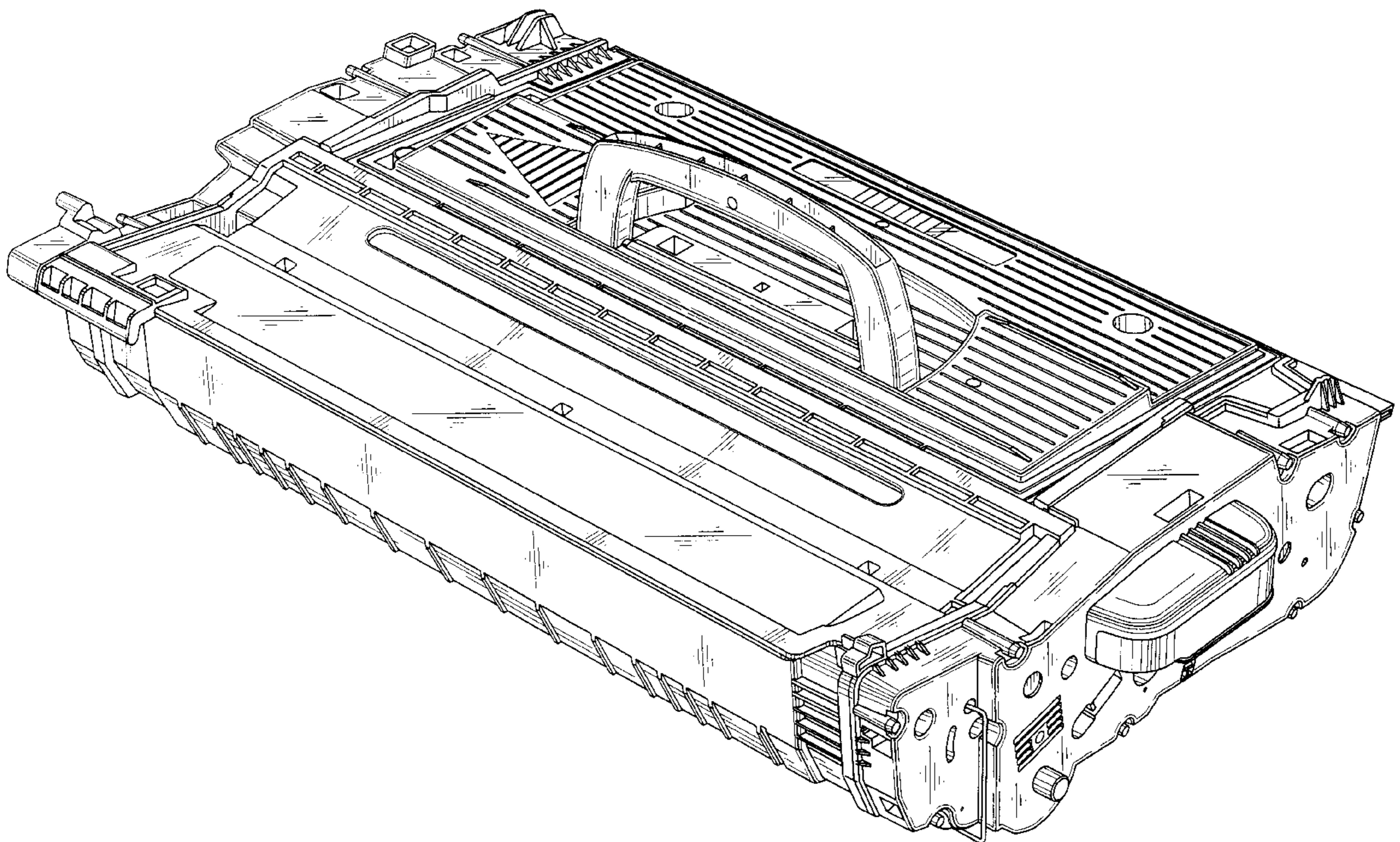


FIG. 1

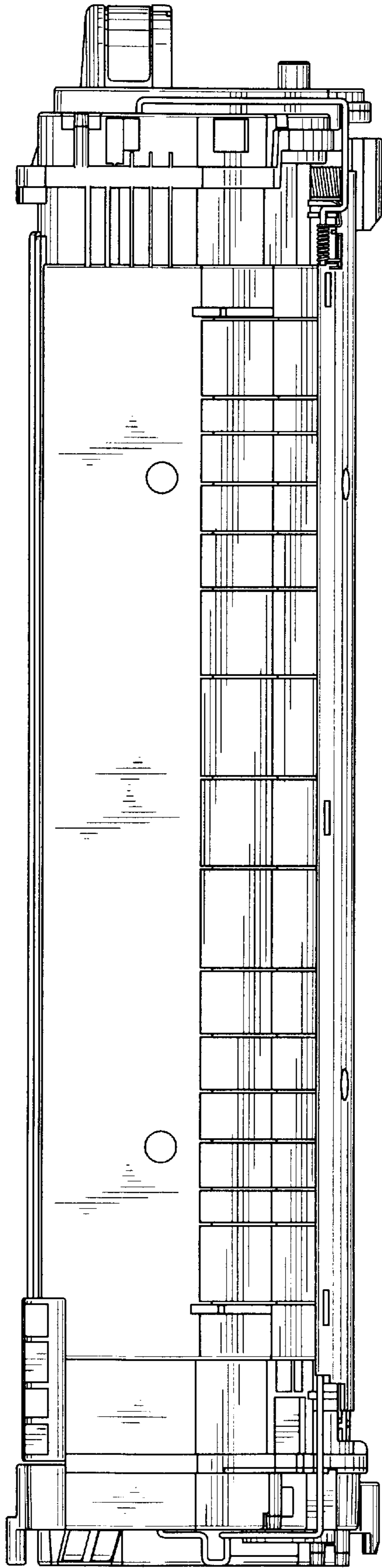


FIG. 2

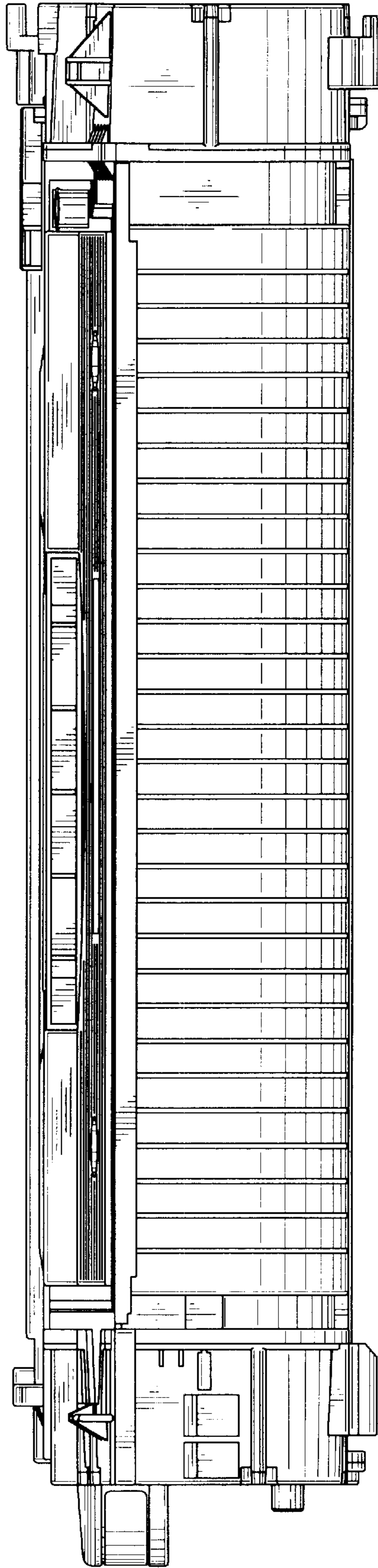




FIG. 3

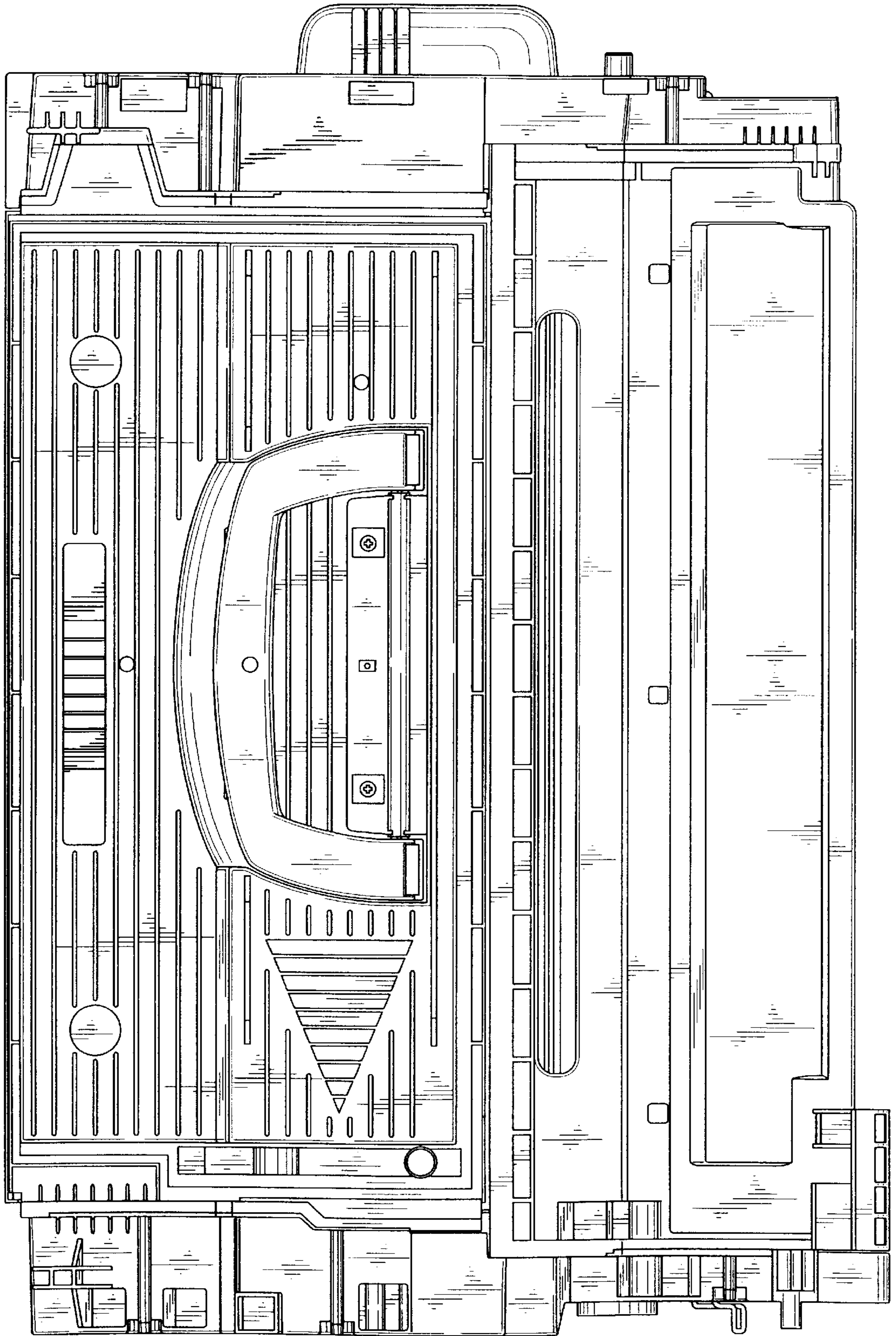
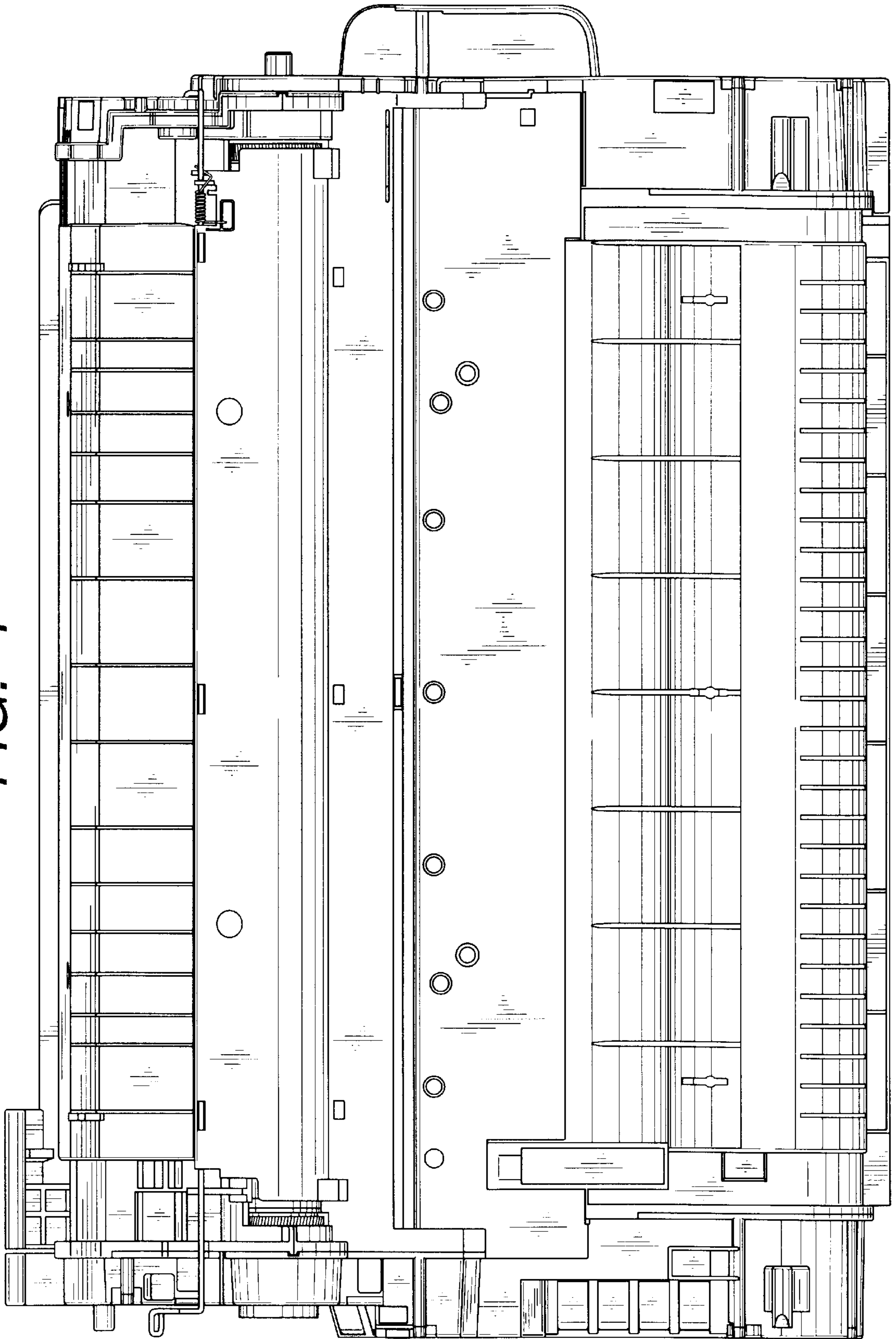
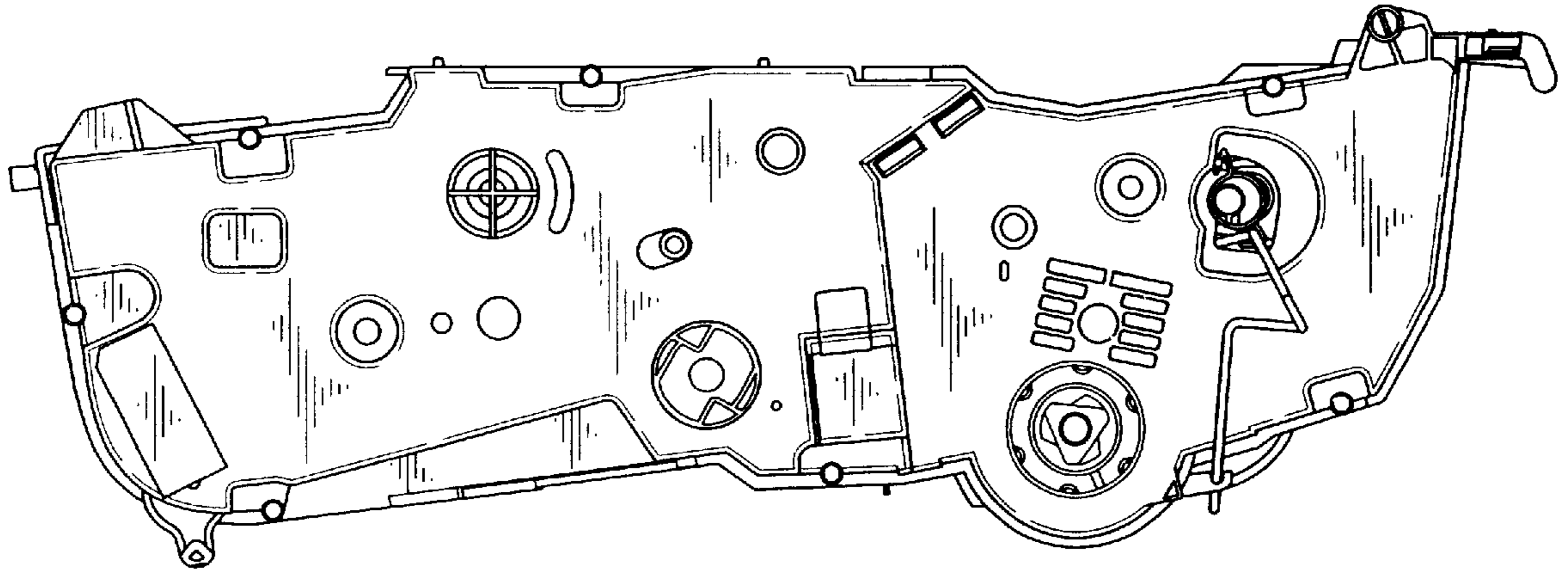


FIG. 4



*FIG. 5*



*FIG. 6*

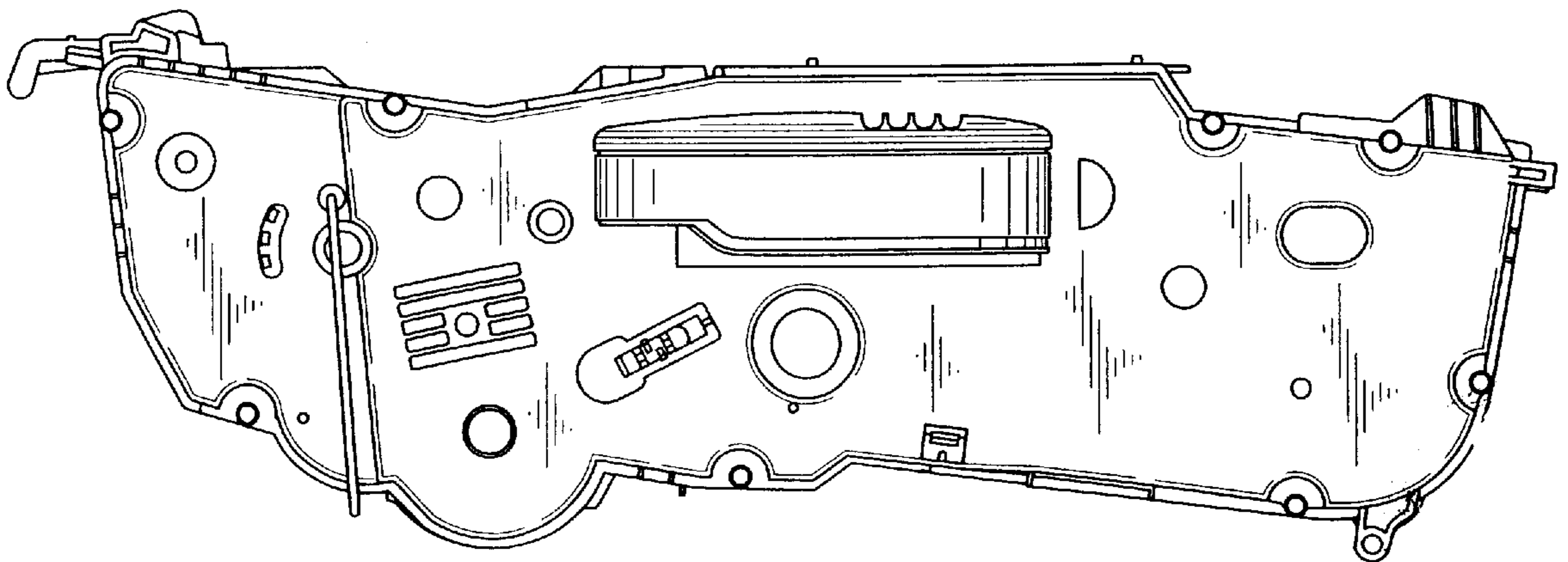
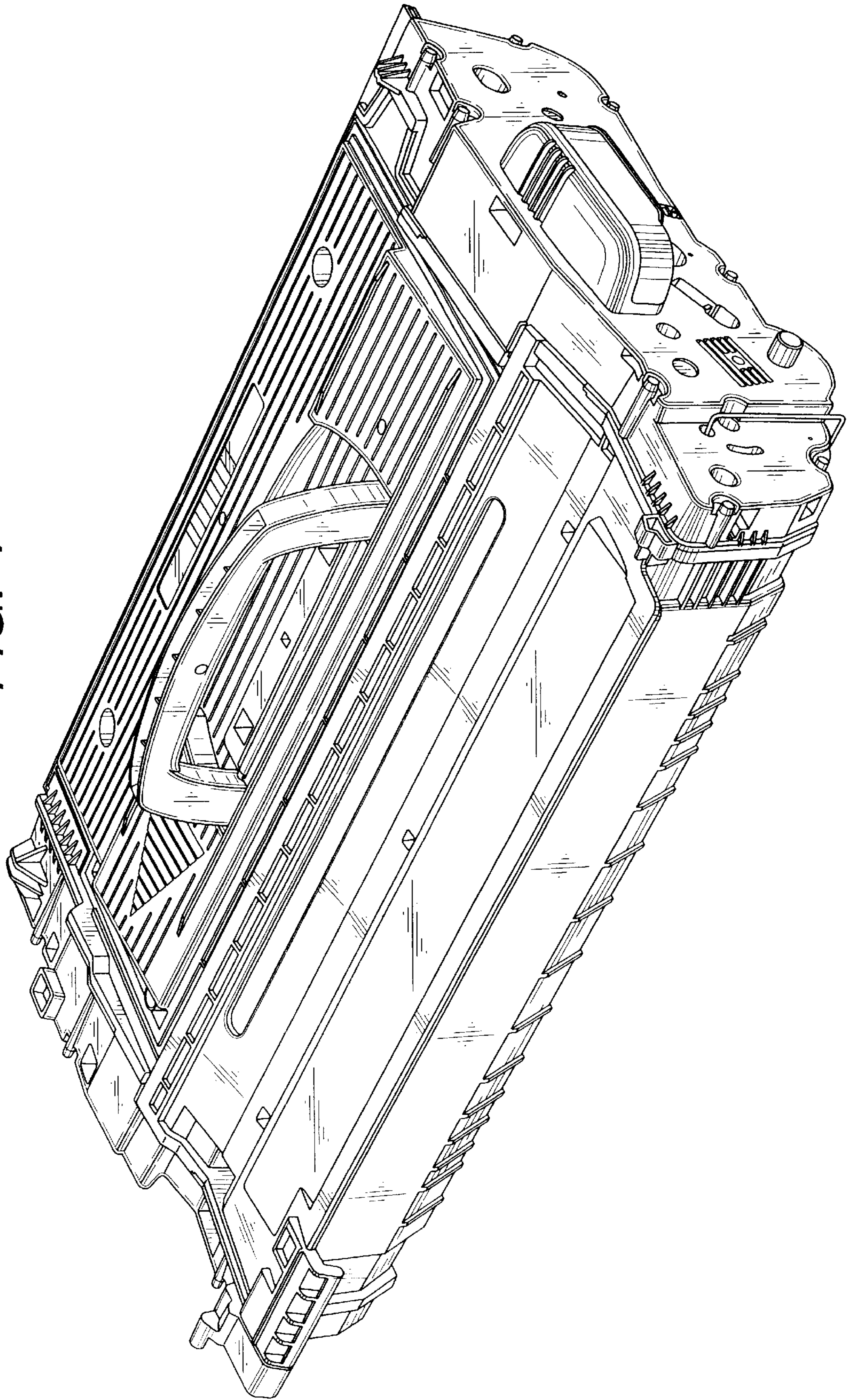




FIG. 7



UNITED STATES PATENT AND TRADEMARK OFFICE  
**CERTIFICATE OF CORRECTION**

PATENT NO. : Des. 460,980 S  
DATED : July 30, 2002  
INVENTOR(S) : Hiroomi Matsuzaki et al.

Page 1 of 1

It is certified that error appears in the above-identified patent and that said Letters Patent is hereby corrected as shown below:

Title page,  
Item [73], should read as follows:

-- **Canon Kabushiki Kaisha, Tokyo (JP)** --

Signed and Sealed this

Fifth Day of November, 2002

*Attest:*

A handwritten signature in black ink, appearing to read "James E. Rogan", written over a horizontal line.

*Attesting Officer*

JAMES E. ROGAN  
*Director of the United States Patent and Trademark Office*



UNITED STATES PATENT AND TRADEMARK OFFICE  
**CERTIFICATE OF CORRECTION**

PATENT NO. : Des. 460,980 S  
DATED : July 30, 2002  
INVENTOR(S) : Hiroomi Matsuaki et al.

Page 1 of 1

It is certified that error appears in the above-identified patent and that said Letters Patent is hereby corrected as shown below:

Title Page,

Item [73], Assignee, "**Canon Kabushik Kaisha**" should read -- **Canon Kabushiki Kaisha** --.

Signed and Sealed this

Thirty-first Day of December, 2002

A handwritten signature in black ink, appearing to read "James E. Rogan", with a horizontal line drawn underneath it.

JAMES E. ROGAN  
*Director of the United States Patent and Trademark Office*