



US00D460975S

(12) **United States Design Patent**
Yanagida et al.

(10) **Patent No.:** **US D460,975 S**

(45) **Date of Patent:** **** Jul. 30, 2002**

(54) **HYDRAULIC EXCAVATOR**

(75) Inventors: **Yasuhiro Yanagida**, Tokyo; **Taiichirou Kitatani**, Hirakata, both of (JP)

(73) Assignee: **Komatsu Ltd.**, Tokyo (JP)

(**) Term: **14 Years**

(21) Appl. No.: **29/145,930**

(22) Filed: **Aug. 2, 2001**

(51) **LOC (7) Cl.** **12-09**

(52) **U.S. Cl.** **D15/25**

(58) **Field of Search** D15/23-26; 37/379,
37/443, 142.5; 414/694, 715, 722, 687;
280/781, 798

(56) **References Cited**

U.S. PATENT DOCUMENTS

3,902,295	A	*	9/1975	Yancey	37/379
4,376,612	A	*	3/1983	Yeou	414/694
4,397,481	A	*	8/1983	Dion	280/781
D271,396	S	*	11/1983	Inui	D15/25

5,493,796	A	*	2/1996	Ballew et al.	37/142.5
D391,272	S	*	2/1998	Jin	D15/25
D437,602	S	*	2/2001	Hiraoka et al.	D15/25

* cited by examiner

Primary Examiner—Mitchell Siegel

(74) *Attorney, Agent, or Firm*—Kanesaka & Takeuchi

(57) **CLAIM**

The ornamental design for a hydraulic excavator, as shown and described.

DESCRIPTION

FIG. 1 is a front view of a hydraulic excavator showing our new design;

FIG. 2 is a rear view thereof;

FIG. 3 is a right side view thereof;

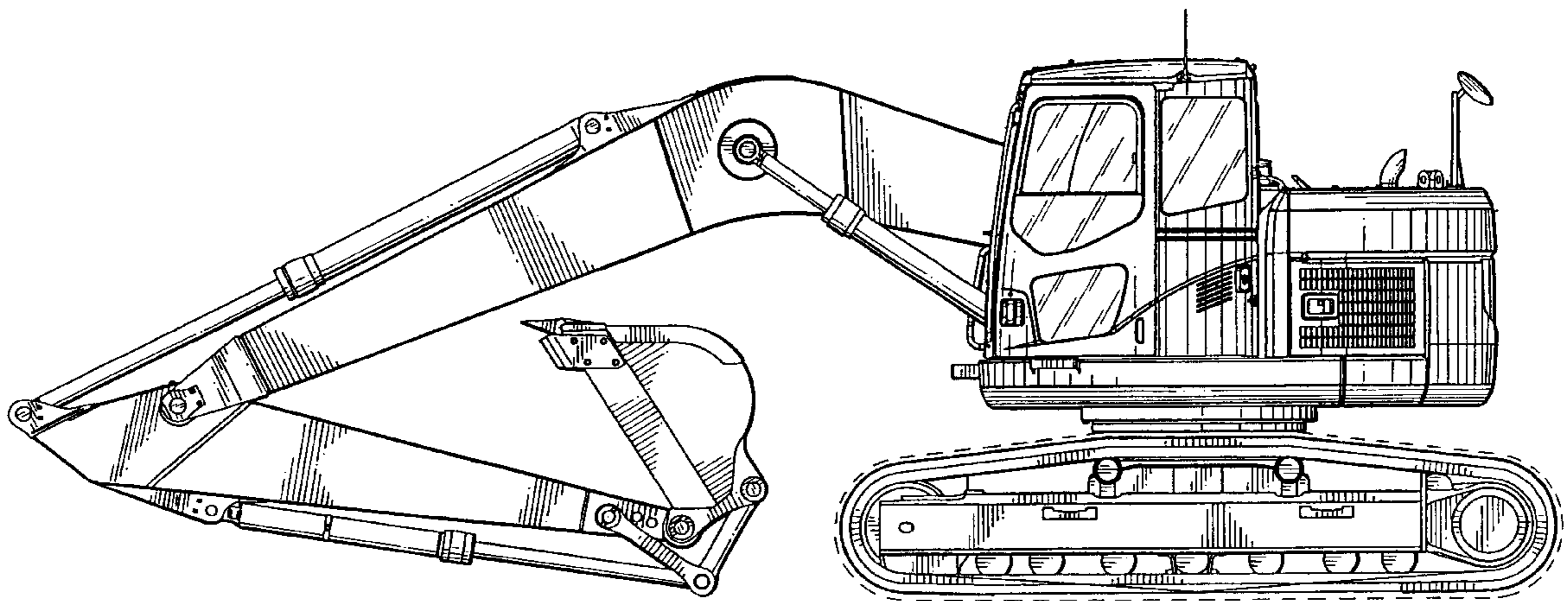
FIG. 4 is a left side view thereof;

FIG. 5 is a top plan view thereof; and,

FIG. 6 is a bottom plan view thereof.

The broken line showing is for illustrative purposes only and forms no part of the claimed design.

1 Claim, 6 Drawing Sheets



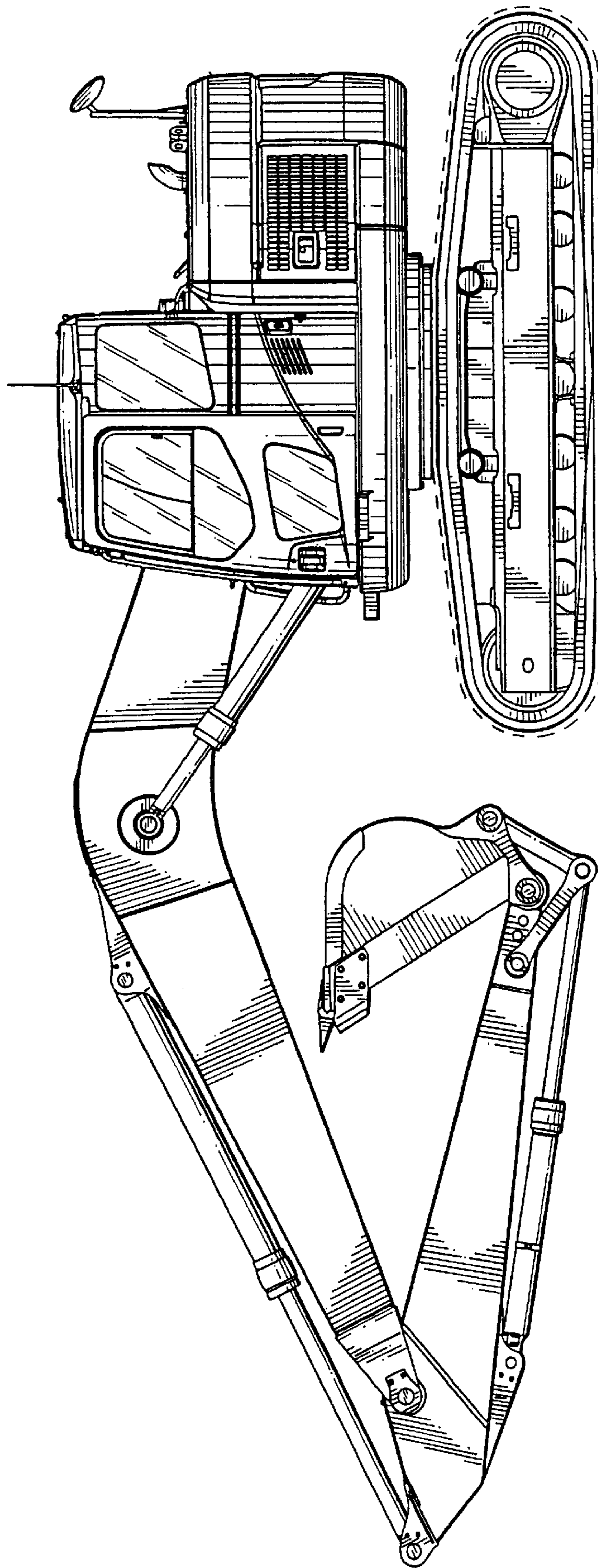


FIG. 1

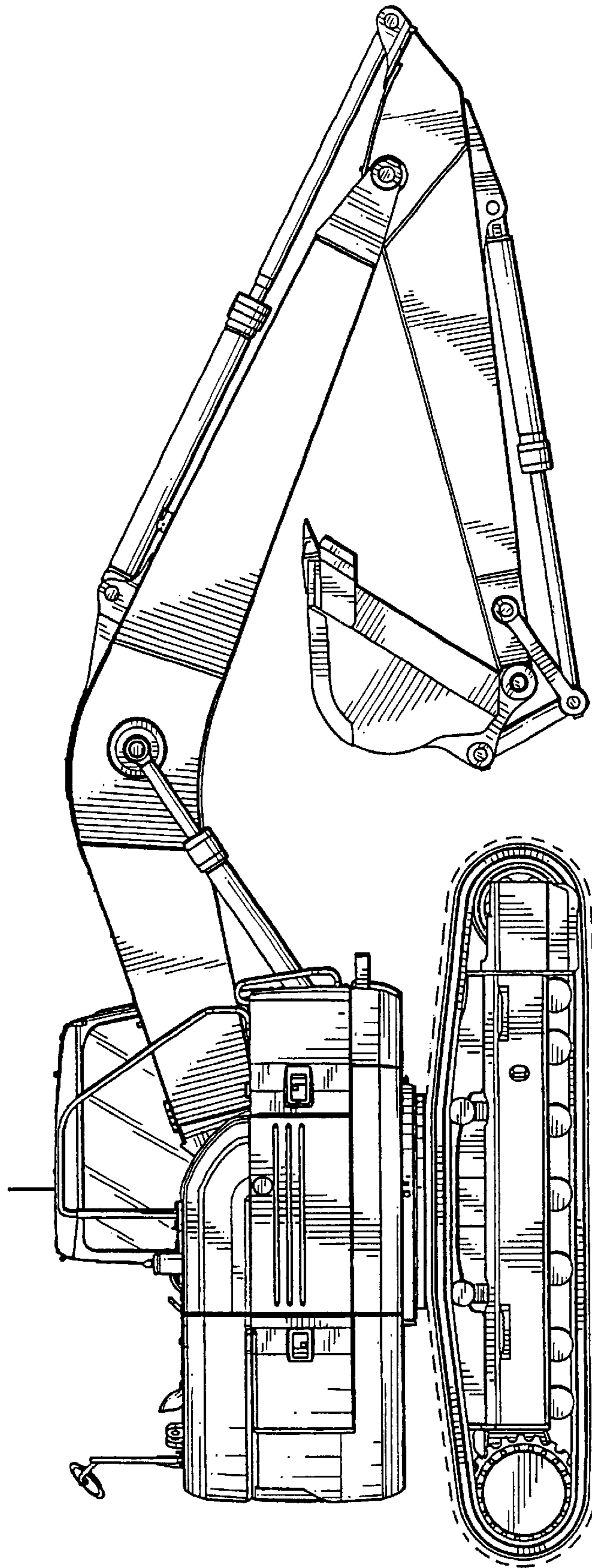


FIG. 2

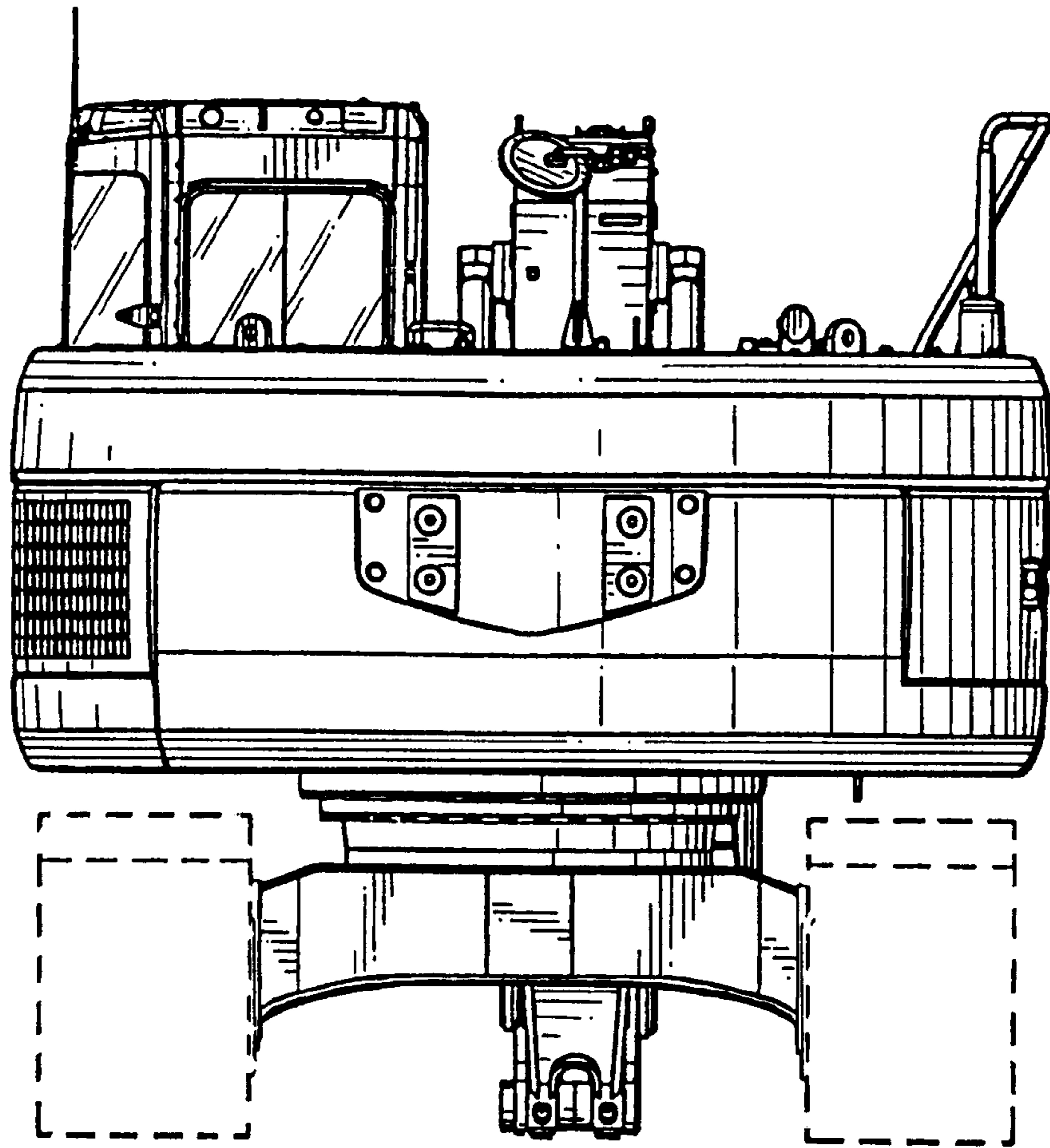


FIG. 3

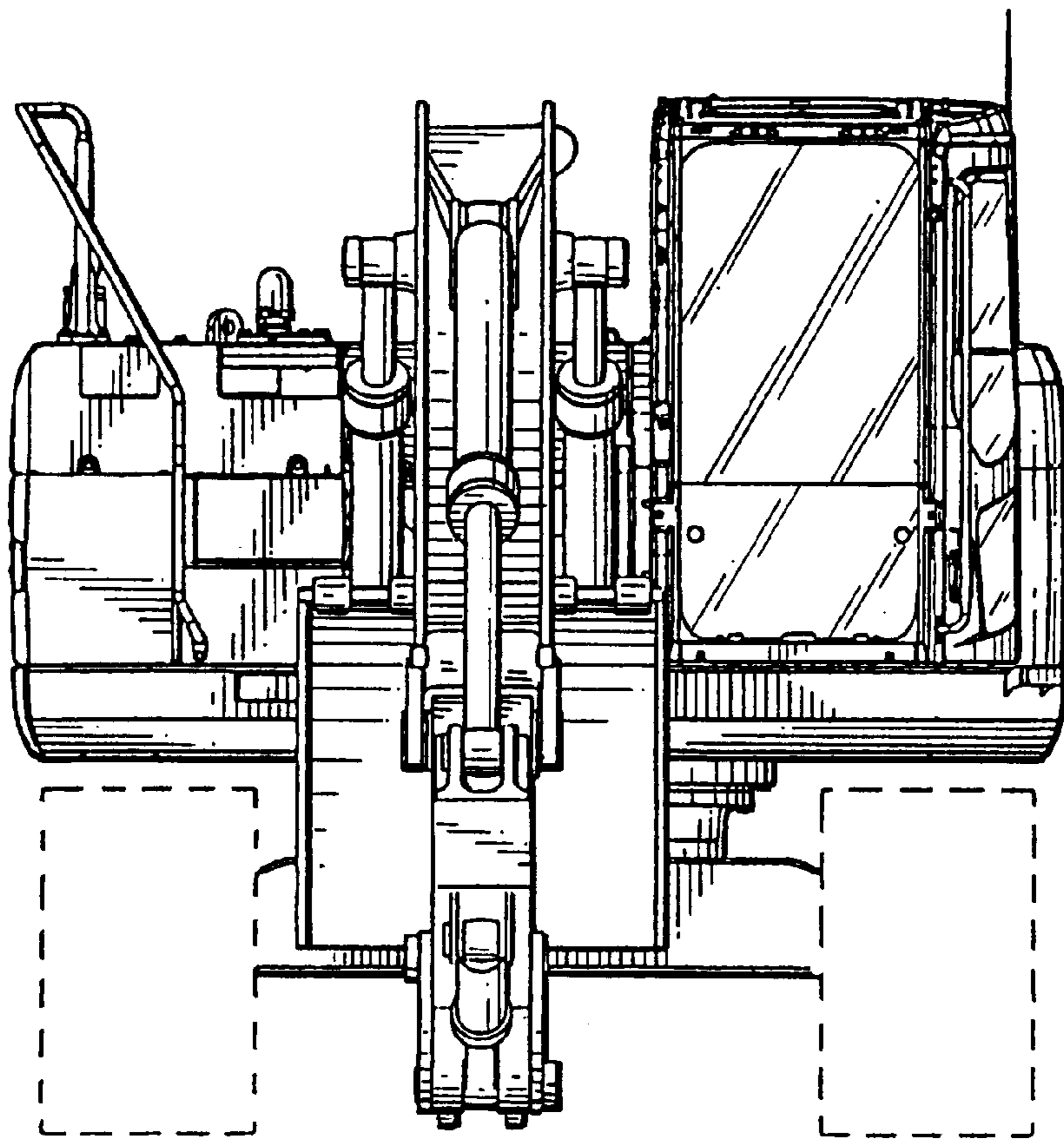


FIG. 4

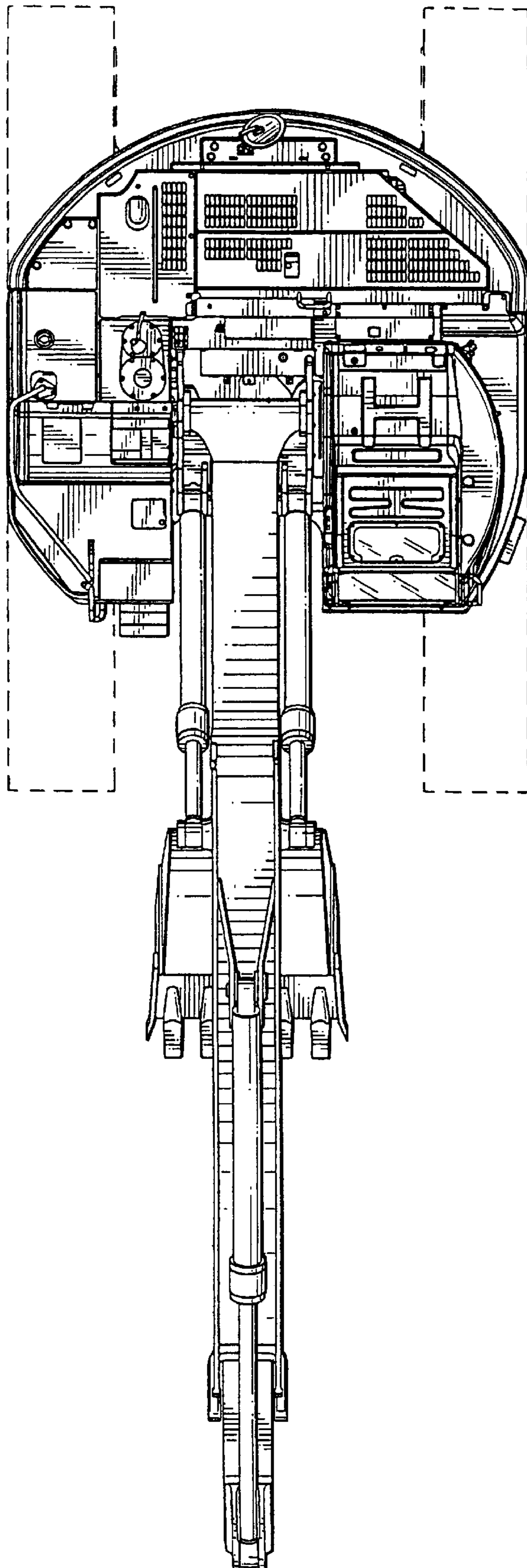


FIG. 5

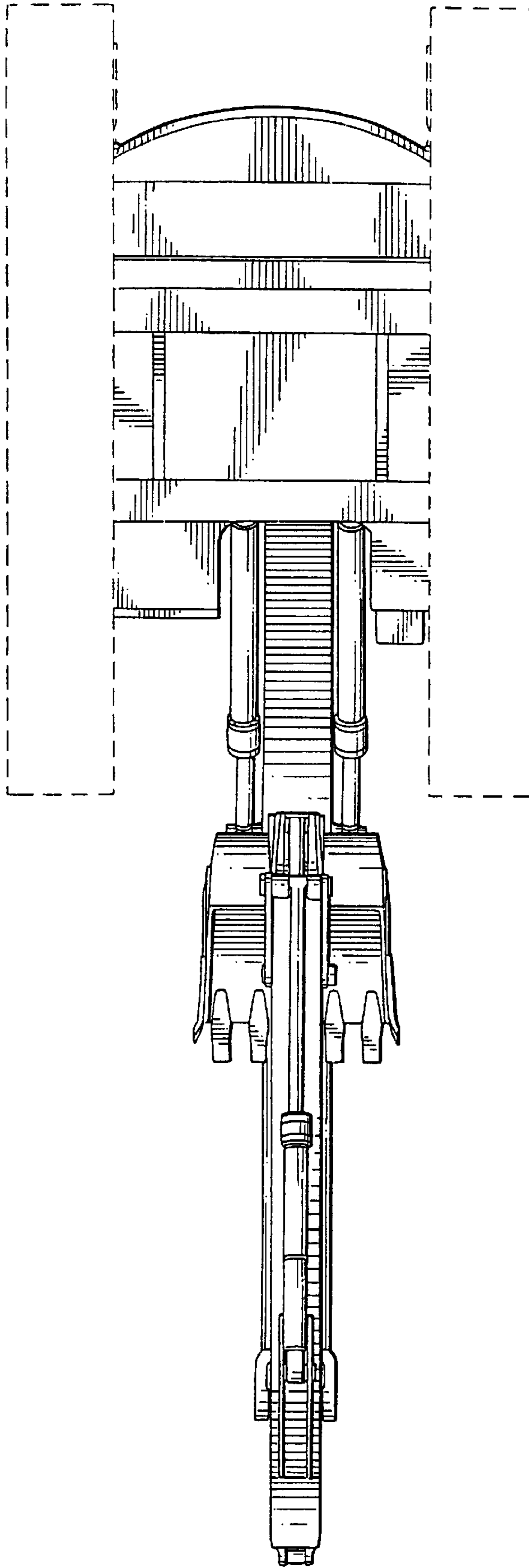


FIG. 6