



US00D460974S

(12) **United States Design Patent**  
**Murakami et al.**

(10) **Patent No.:** **US D460,974 S**  
(45) **Date of Patent:** **\*\* Jul. 30, 2002**

(54) **TRACKED VEHICLE FOR CONSTRUCTION**

(75) Inventors: **Yoshihiro Murakami; Kazuyuki Takeda**, both of Hiroshima (JP)

(73) Assignee: **Kobelco Construction Machinery Co., Ltd**, Hiroshima (JP)

(\*\*) Term: **14 Years**

(21) Appl. No.: **29/129,559**

(22) Filed: **Sep. 18, 2000**

(30) **Foreign Application Priority Data**

May 12, 2000 (JP) ..... 2000-012460

(51) **LOC (7) Cl.** ..... **12-09**

(52) **U.S. Cl.** ..... **D15/25**

(58) **Field of Search** ..... D15/23-25; 180/9.1, 180/9.2, 89.1, 89.12, 139, 235, 9.62, 14 R; 280/400; 414/694, 698, 699, 722-724

(56) **References Cited**

**U.S. PATENT DOCUMENTS**

- D273,384 S \* 4/1984 Nasu et al. .... D15/25
- D309,313 S \* 7/1990 Takashima et al. .... D15/25
- D406,152 S \* 2/1999 Miyaoka et al. .... D15/25

- D409,629 S \* 5/1999 Miyaoka et al. .... D15/25
- D431,253 S \* 9/2000 Marchetta et al. .... D15/25
- D432,144 S \* 10/2000 Kraft et al. .... D15/25
- D432,145 S \* 10/2000 Kraft et al. .... D15/25
- D433,689 S \* 11/2000 Kraft et al. .... D15/25
- D436,605 S \* 1/2001 Shaw et al. .... D15/25
- D440,235 S \* 4/2001 Kuwae et al. .... D15/25

\* cited by examiner

*Primary Examiner*—Mitchell Siegel

(74) *Attorney, Agent, or Firm*—Oblon, Spivak, McClelland, Maier & Neustadt, P.C.

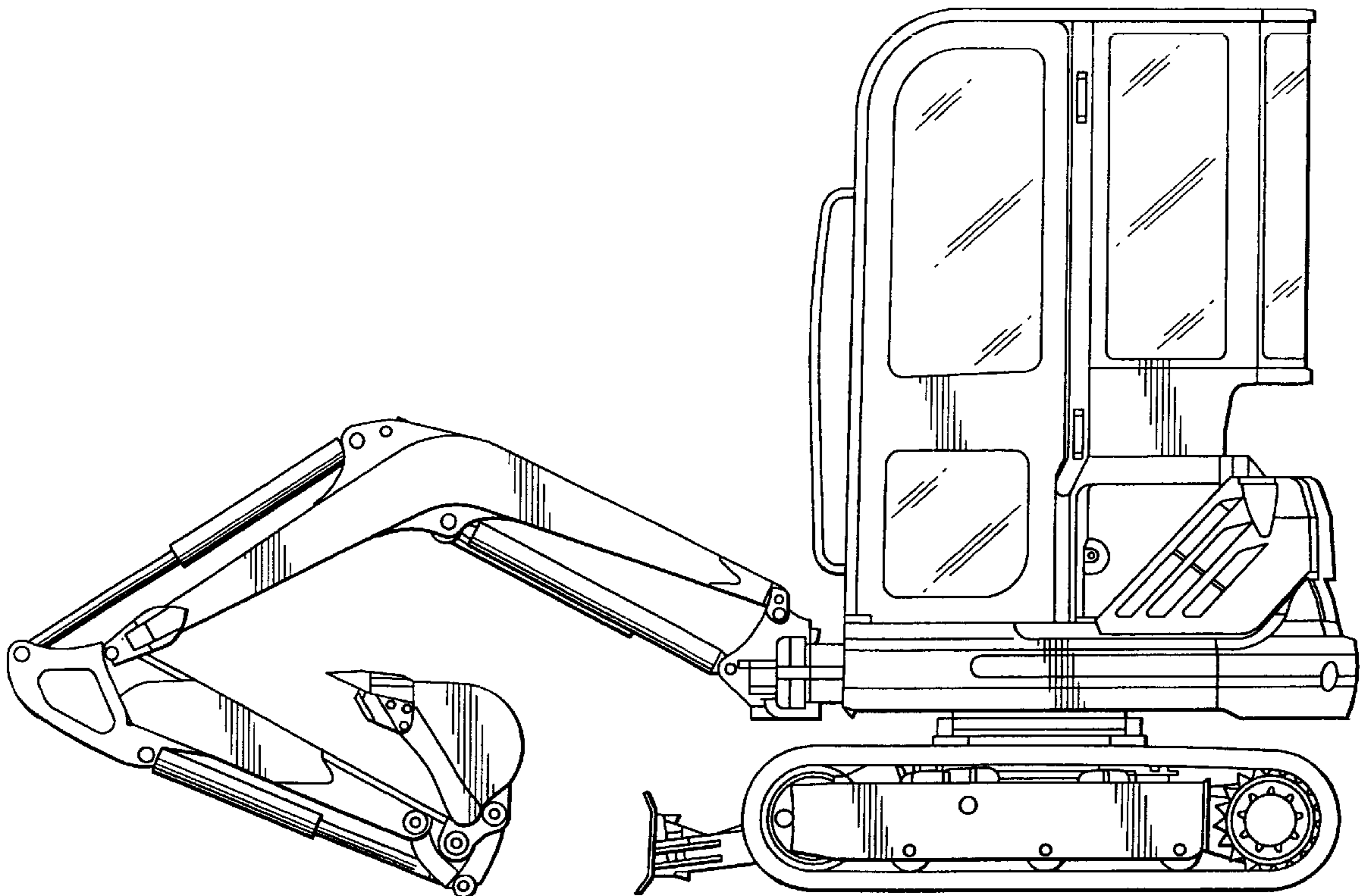
(57) **CLAIM**

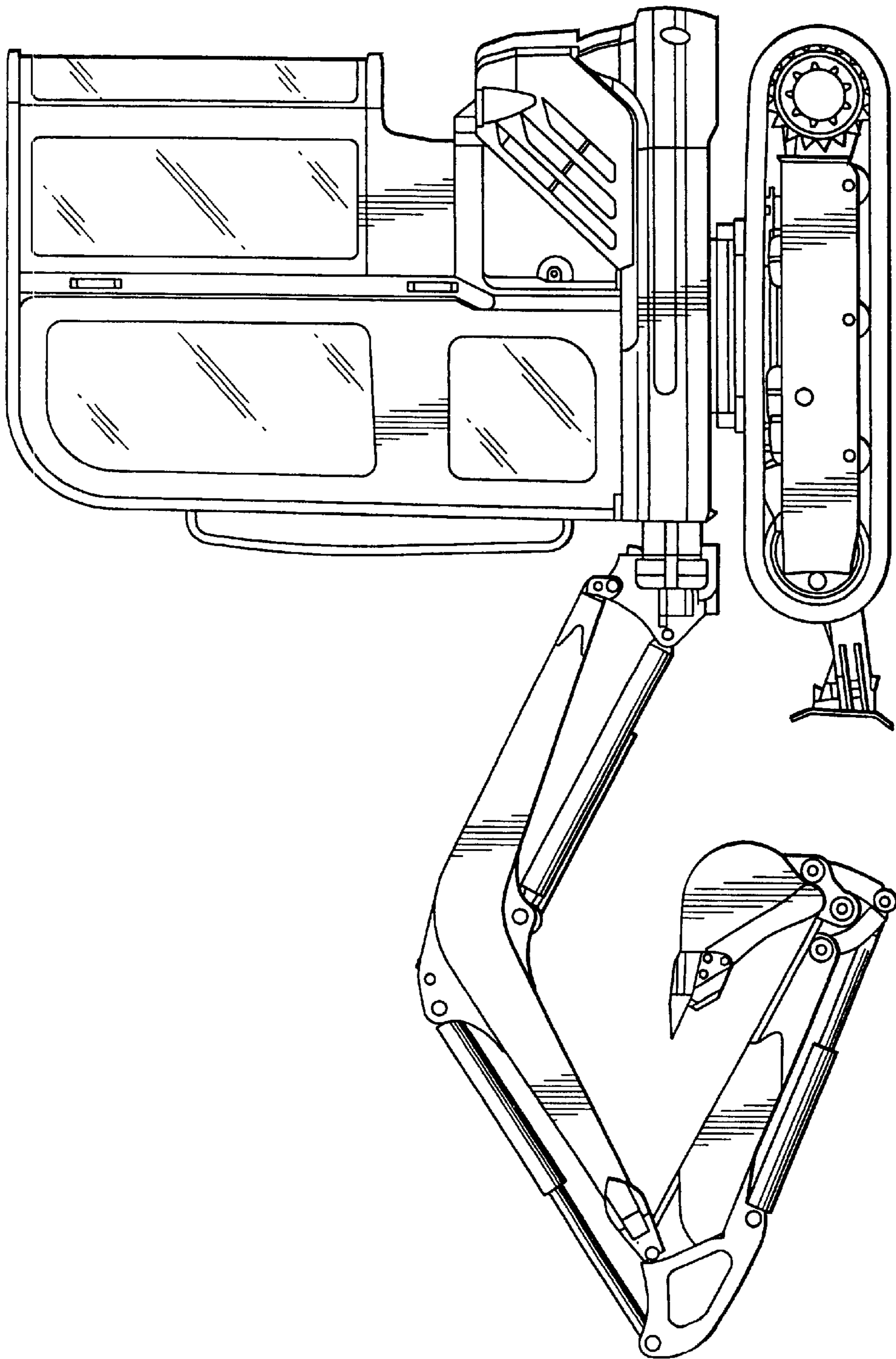
The ornamental design for a tracked vehicle for construction, as shown and described.

**DESCRIPTION**

FIG. 1 is a front elevational view of a tracked vehicle for construction, showing our design;  
 FIG. 2 is a rear elevational view thereof;  
 FIG. 3 is a right side elevational view thereof;  
 FIG. 4 is a left side elevational view thereof;  
 FIG. 5 is a top plan view thereof; and,  
 FIG. 6 is a bottom plan view thereof.

**1 Claim, 4 Drawing Sheets**





*FIG. 1*

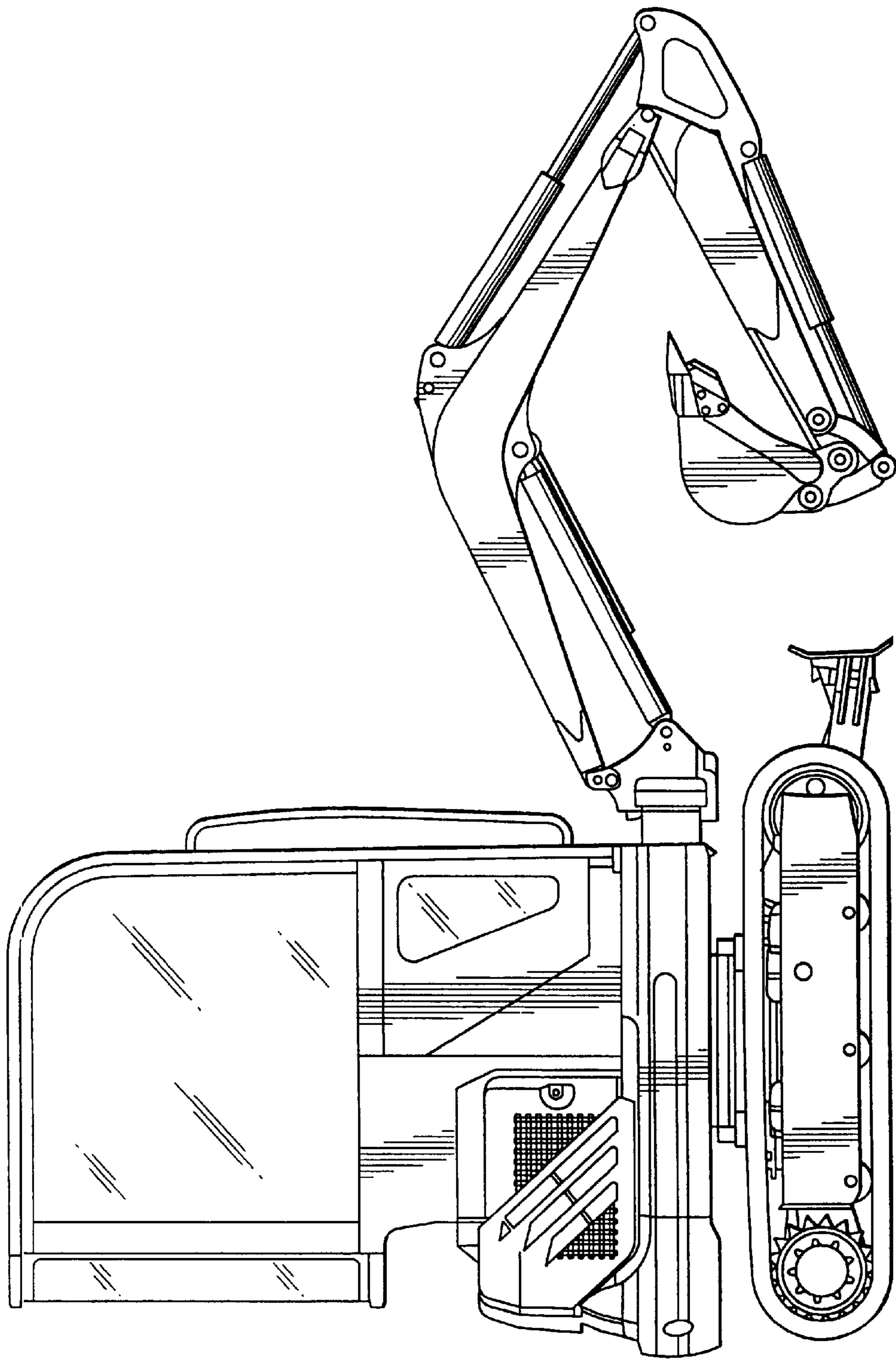
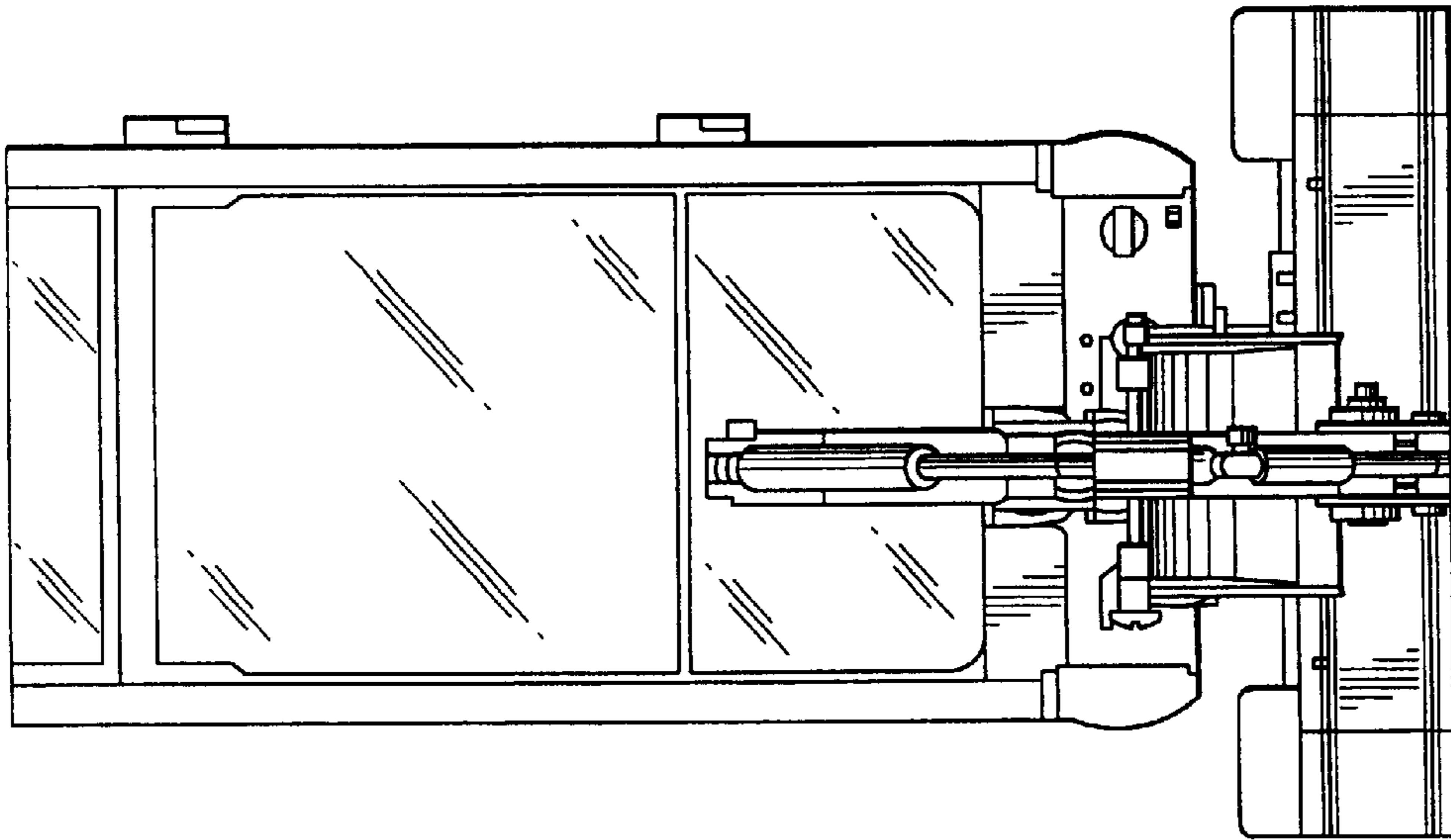
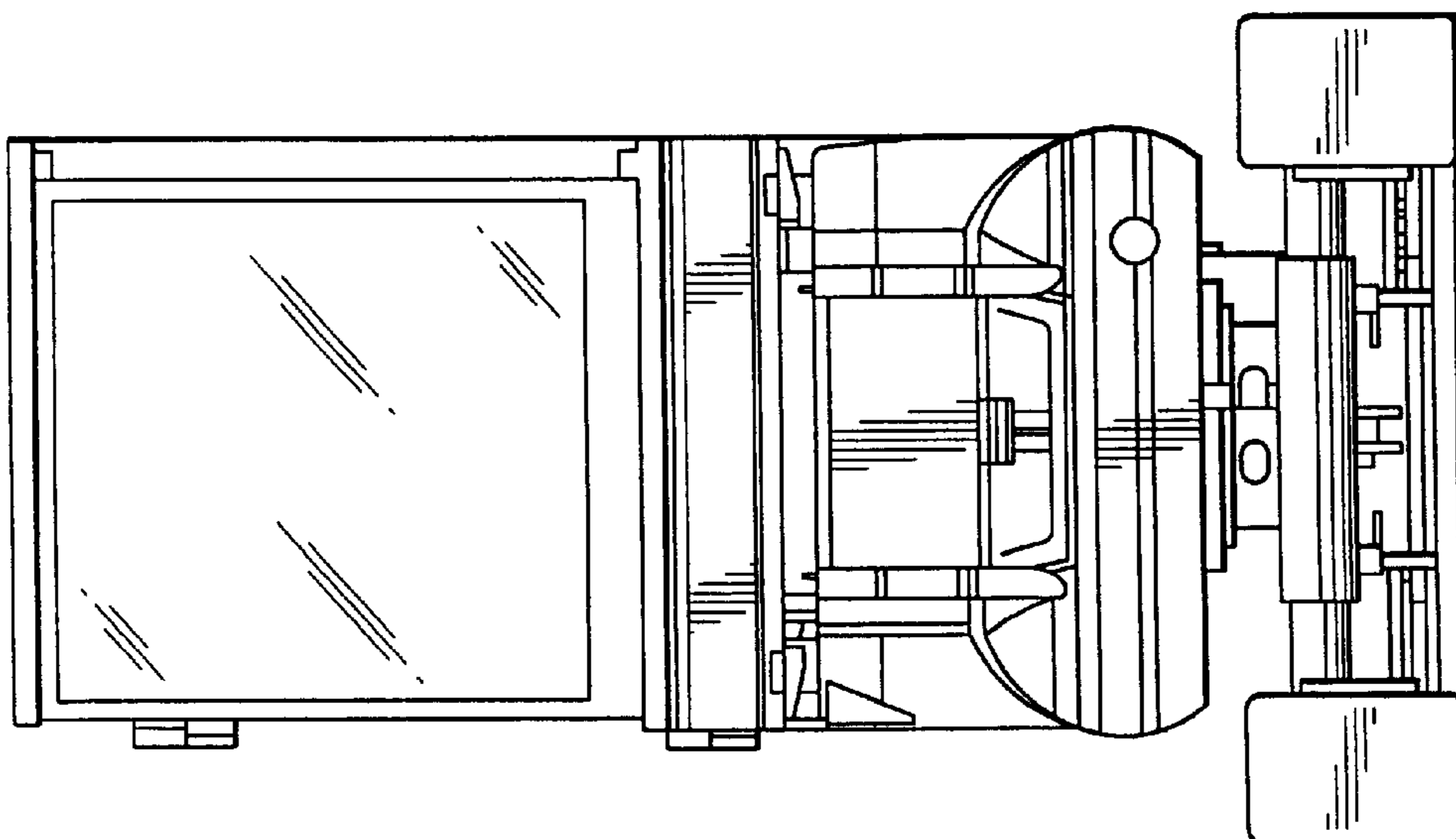


FIG. 2



*FIG. 4*



*FIG. 3*

FIG. 5

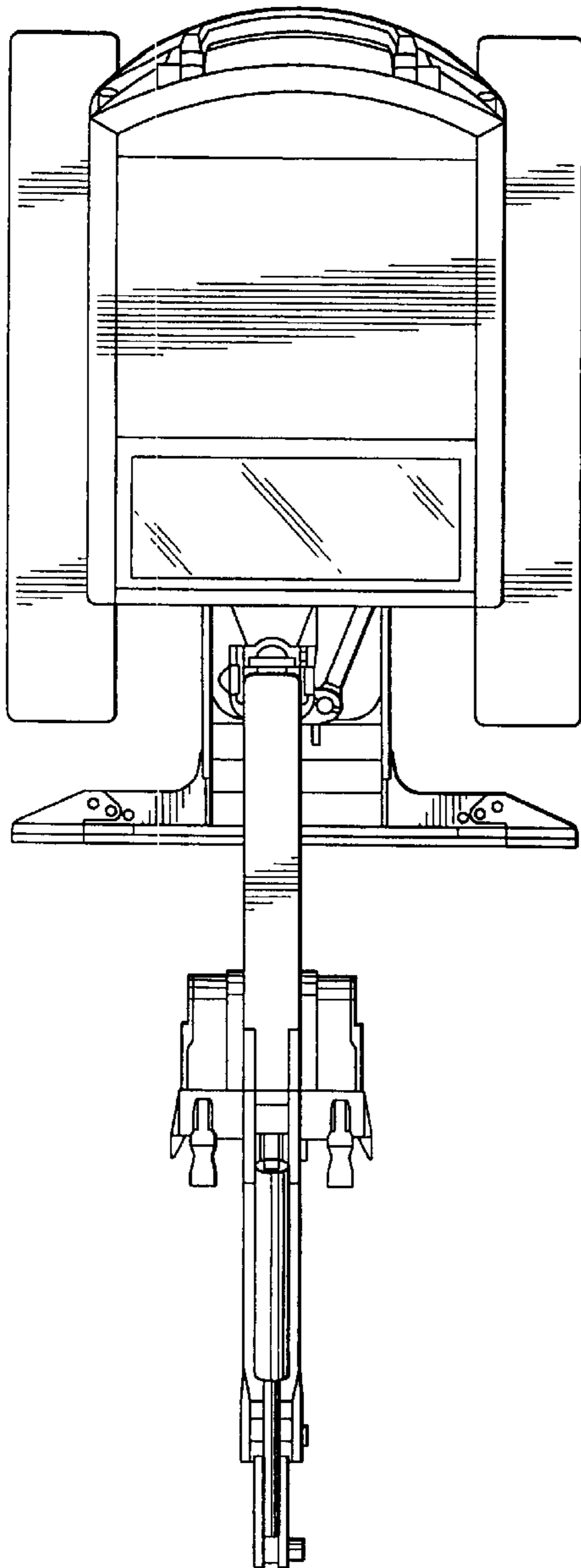


FIG. 6

