



US00D460973S

(12) **United States Design Patent**  
**Jong**

(10) **Patent No.:** **US D460,973 S**

(45) **Date of Patent:** **\*\* Jul. 30, 2002**

(54) **LAWN MOWER**

(75) **Inventor:** **Jung-Chang Jong, Chungil (TW)**

(73) **Assignee:** **Jenn Feng Industrial Co., Ltd.,  
Taoyuan (TW)**

(\*\*) **Term:** **14 Years**

(21) **Appl. No.:** **29/139,407**

(22) **Filed:** **Mar. 28, 2001**

(51) **LOC (7) Cl.** ..... **15-03**

(52) **U.S. Cl.** ..... **D15/14**

(58) **Field of Search** ..... D15/14; 56/11.9,  
56/10.2 R, 12.7, 13.4, 13.7, 12.2, 202,  
256, 320.1, 294, 295

(56) **References Cited**

**U.S. PATENT DOCUMENTS**

D179,289 S	*	11/1956	Heineke	.....	D15/14
D191,675 S	*	10/1961	Ernest	.....	D15/14
3,097,467 A	*	7/1963	Konrad	.....	56/12.2
3,133,398 A	*	5/1964	Tatum	.....	56/17.5

3,613,338 A	*	10/1971	Furtaw	.....	56/17.5
D249,266 S	*	9/1978	Furuya	.....	D15/14
D333,309 S		2/1993	Kristoffer et al.		
D346,810 S		5/1994	Howard et al.		
D419,163 S		1/2000	Michael et al.		
D426,836 S		6/2000	Michael et al.		

\* cited by examiner

*Primary Examiner*—Mitchell Siegel

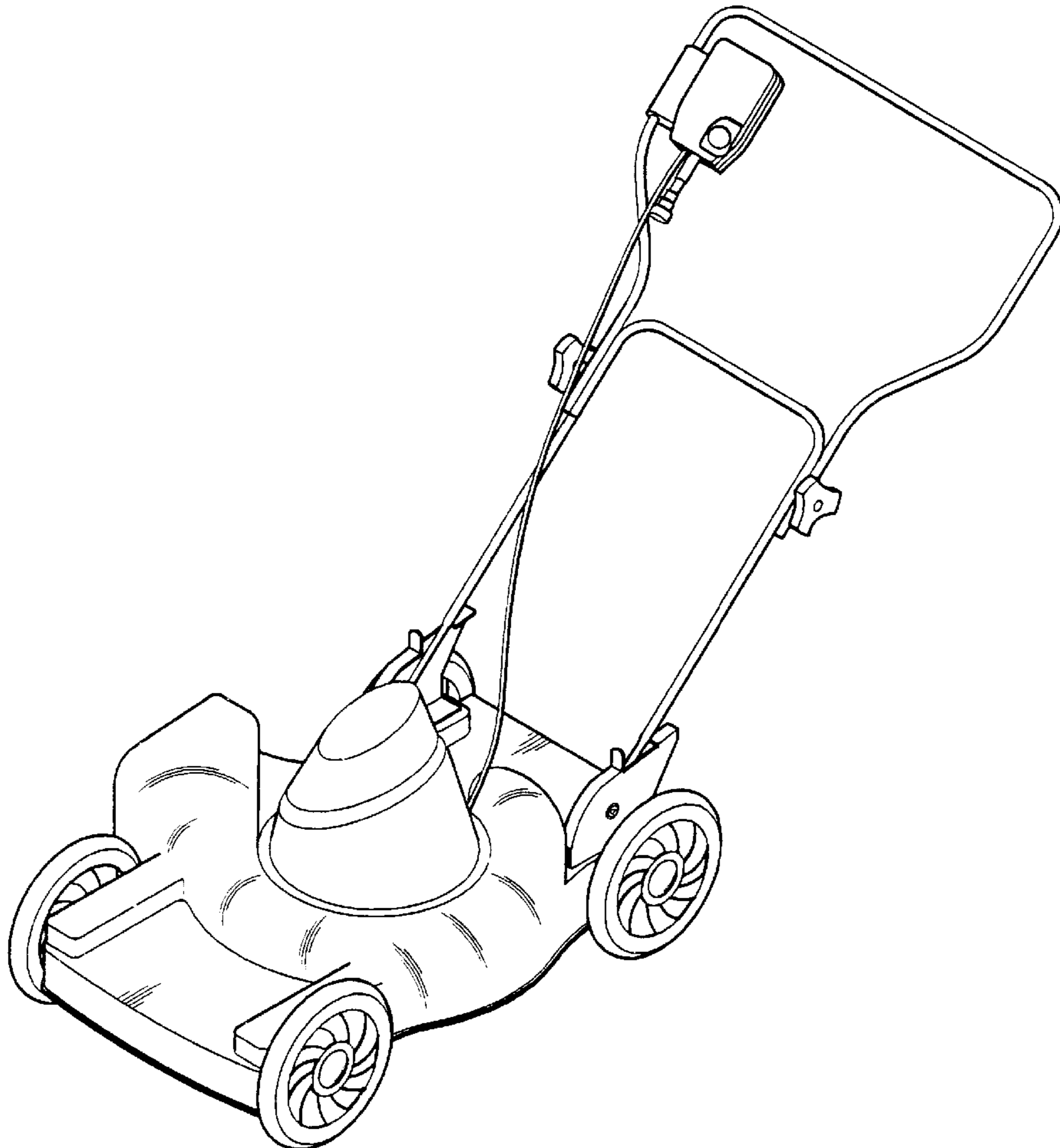
(57) **CLAIM**

The ornamental design for lawn mower, as shown and described.

**DESCRIPTION**

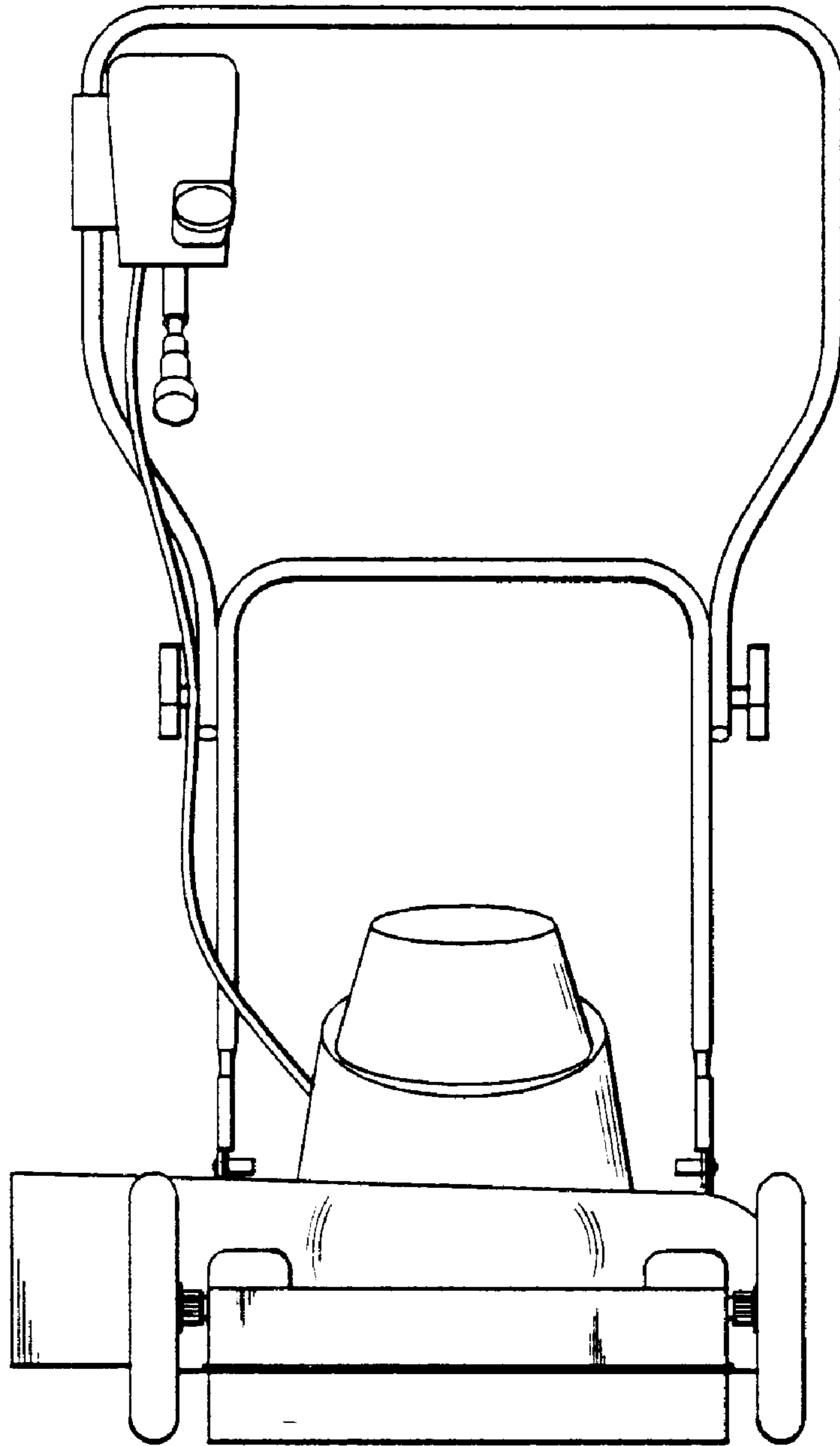
FIG. 1 is a perspective view of lawn mower showing my new design;  
FIG. 2 is a front elevational view thereof;  
FIG. 3 is a rear elevational view thereof;  
FIG. 4 is a left side elevational view thereof;  
FIG. 5 is right side elevational view thereof;  
FIG. 6 is a top view thereof; and,  
FIG. 7 is a bottom view thereof.

**1 Claim, 7 Drawing Sheets**

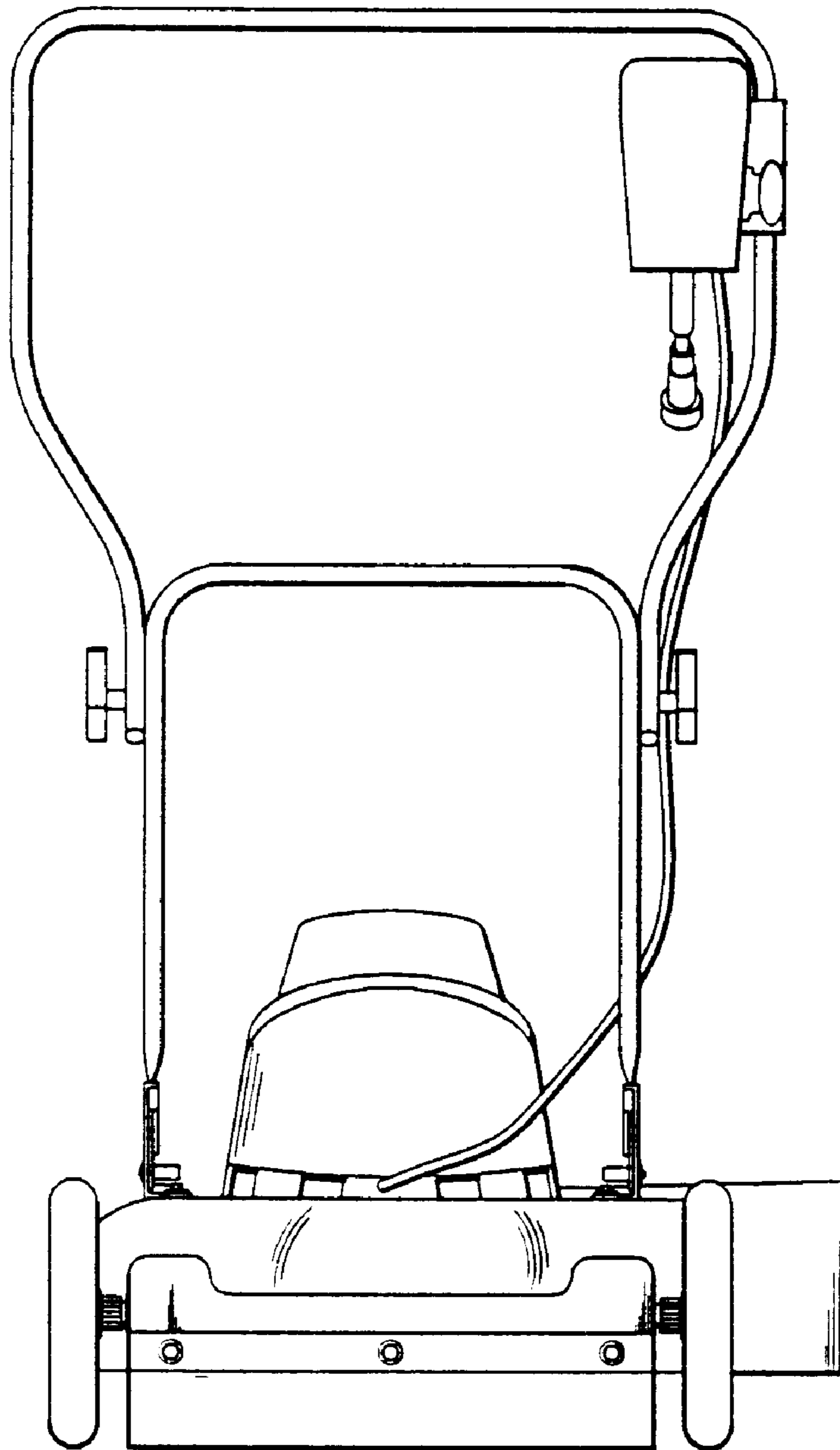




**FIG. 1**



**FIG. 2**



**FIG. 3**

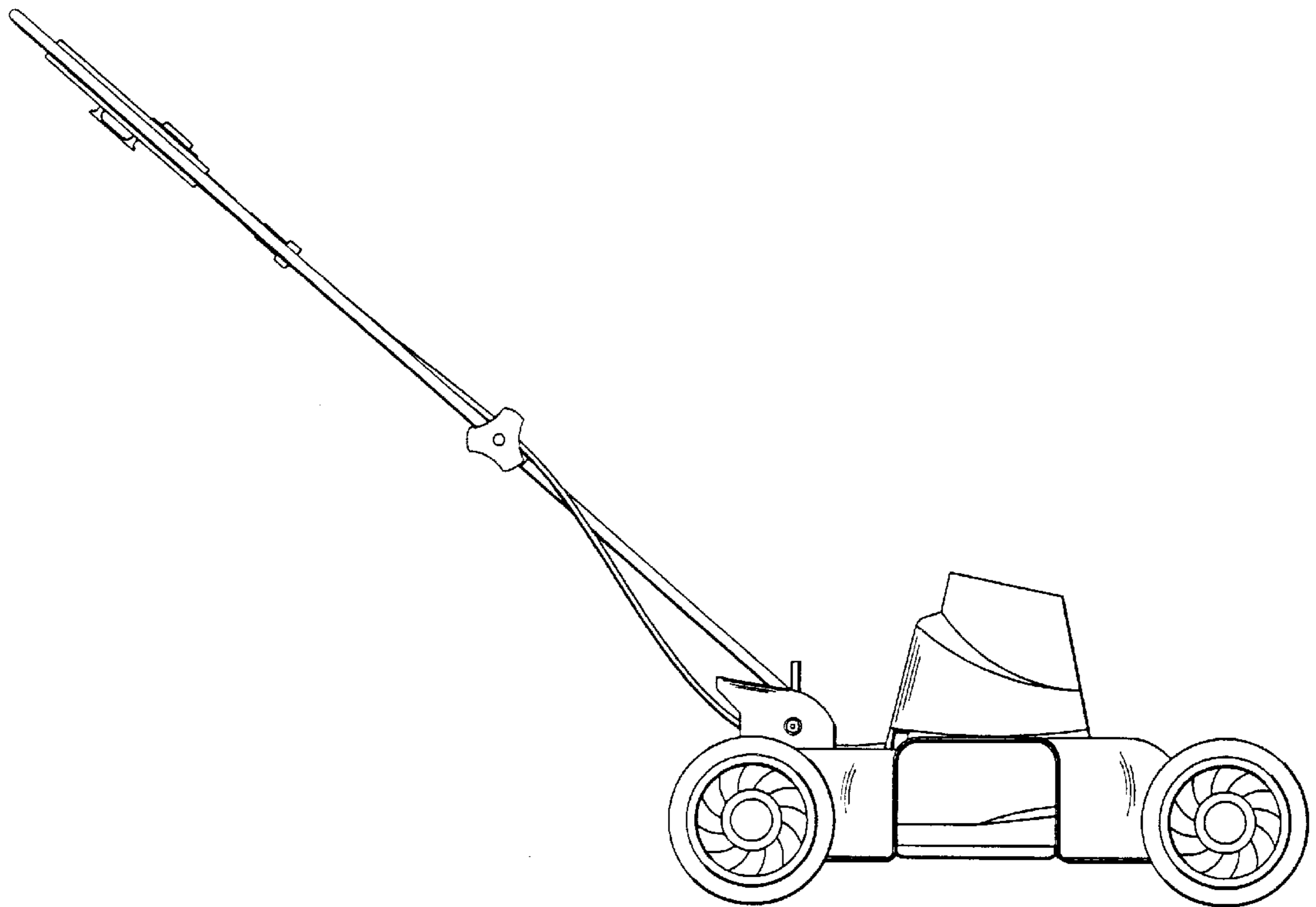


FIG. 4

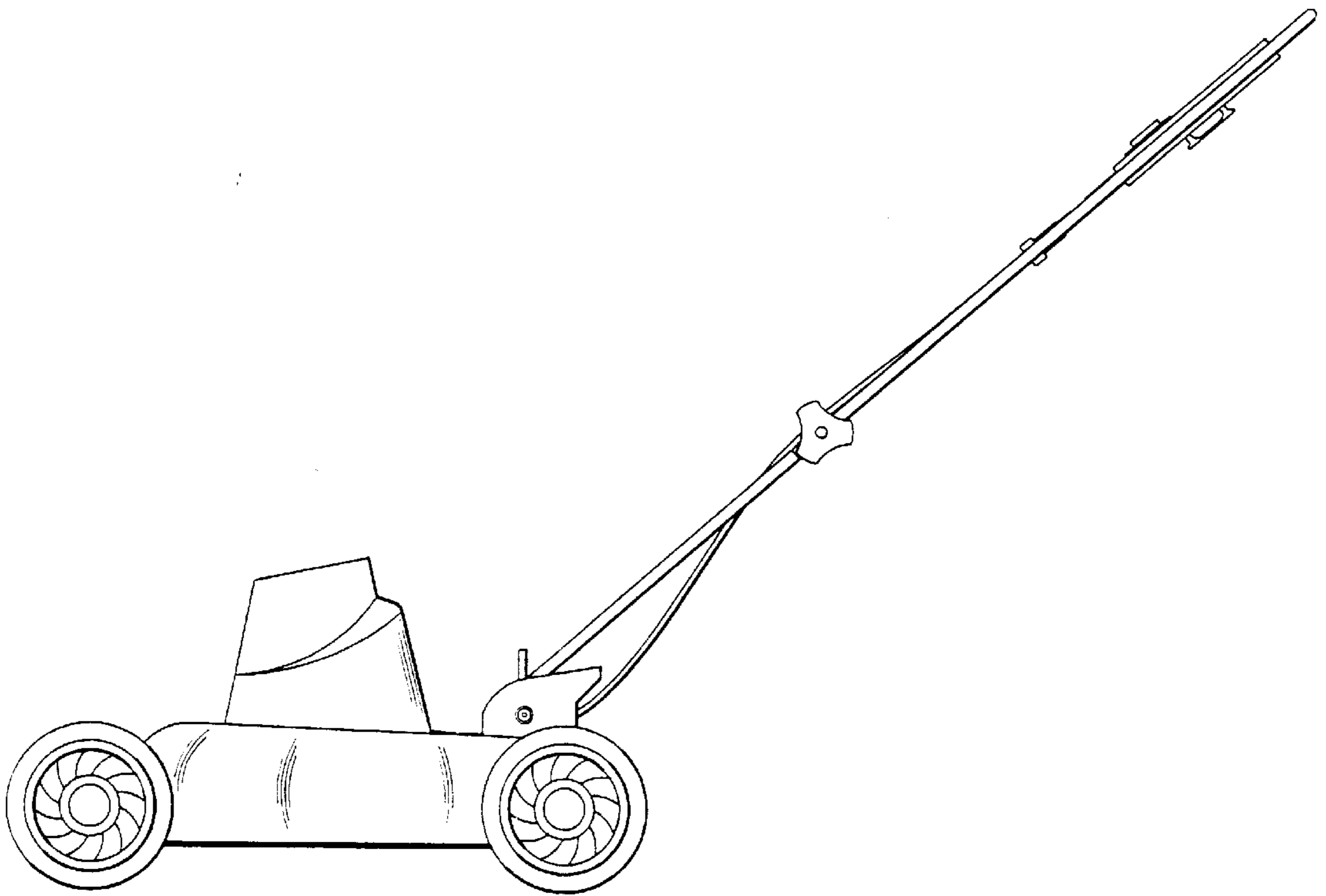


FIG. 5

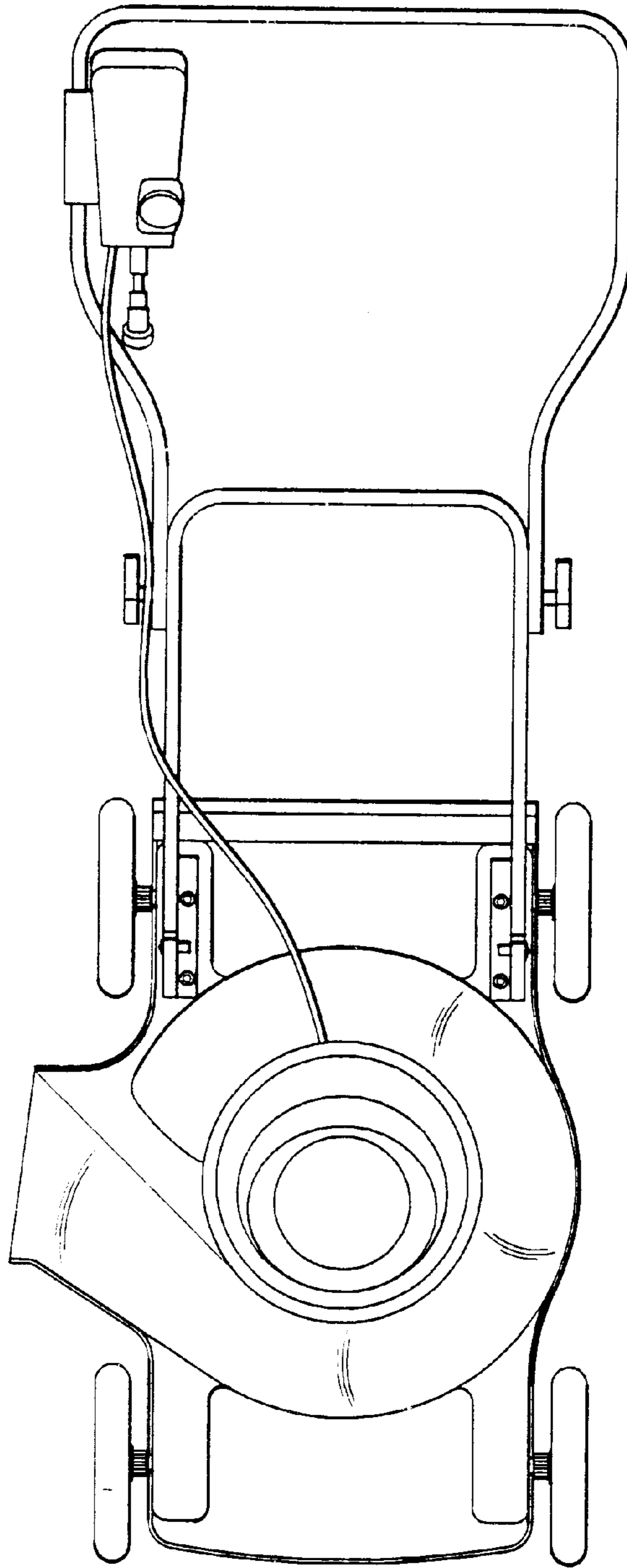


FIG. 6



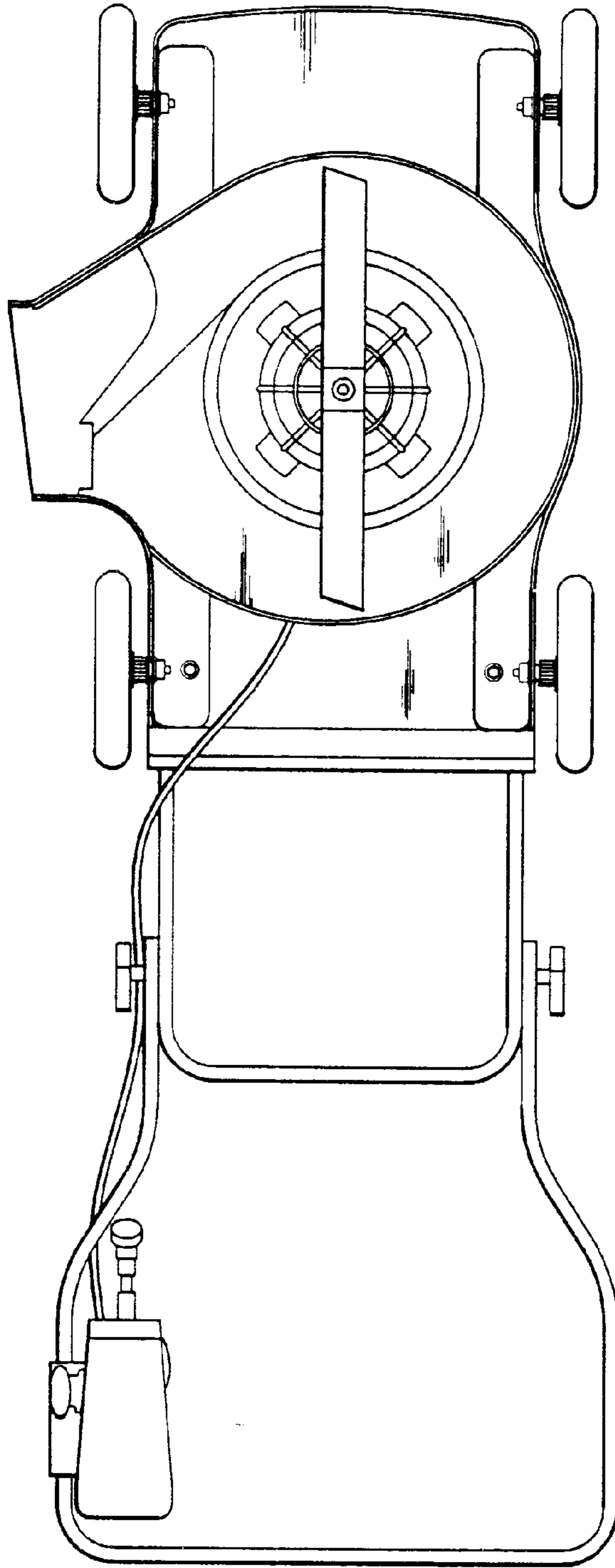


FIG. 7