



US00D460967S

(12) **United States Design Patent**
Peng et al.

(10) **Patent No.:** **US D460,967 S**

(45) **Date of Patent:** **** Jul. 30, 2002**

(54) **LIQUID CRYSTAL DISPLAY**

(75) Inventors: **Yao-Che Peng; Chien-Min Liao**, both
of Tu-Chen (TW)

(73) Assignee: **Hon Hai Precision Ind. Co., Ltd.**,
Taipei Hsien (TW)

(**) Term: **14 Years**

(21) Appl. No.: **29/143,480**

(22) Filed: **Jun. 13, 2001**

(51) **LOC (7) Cl.** **14-02**

(52) **U.S. Cl.** **D14/375**

(58) **Field of Search** D14/371, 374,
D14/375, 376, 132, 125-129; 248/917-924;
341/12; 345/104, 156, 168, 173, 87; 348/180,
184, 325, 739; 349/1, 2, 11, 62; D21/324,
515

(56) **References Cited**

U.S. PATENT DOCUMENTS

D356,552 S * 3/1995 Maeno et al. D14/375

D357,468 S * 4/1995 Rodd D14/375

D391,951 S * 3/1998 Rosen D14/132

D439,900 S * 4/2001 Baek D14/374

* cited by examiner

Primary Examiner—Freda Nunn

(74) *Attorney, Agent, or Firm*—Wei Te Chung

(57) **CLAIM**

The ornamental design for a liquid crystal display, as shown.

DESCRIPTION

FIG. 1 is a perspective view of a liquid crystal display showing our new design;

FIG. 2 is a front elevational view thereof;

FIG. 3 is a rear elevational view thereof;

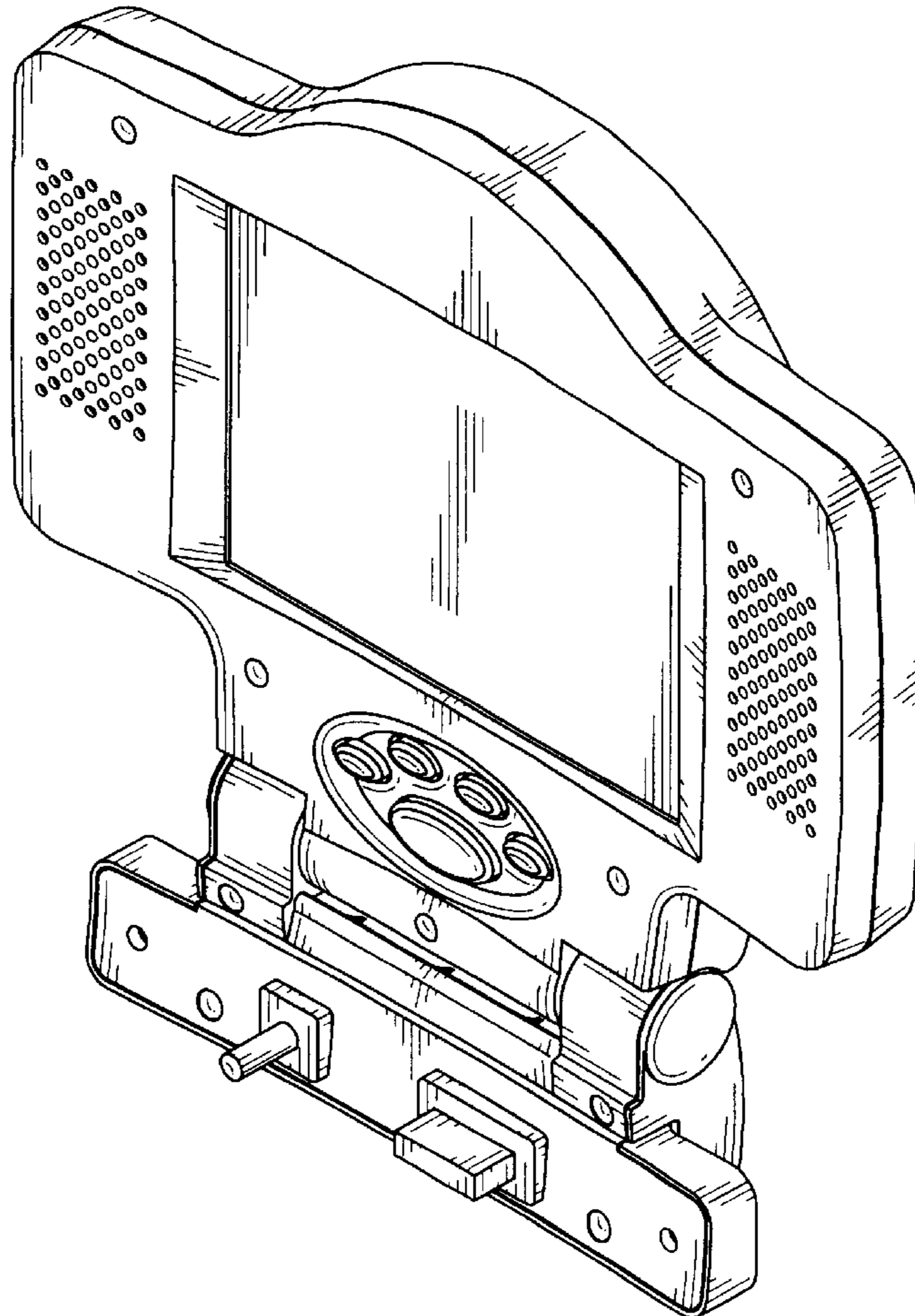
FIG. 4 is a left elevational view thereof;

FIG. 5 is a right elevational view thereof;

FIG. 6 is a top elevational view thereof; and,

FIG. 7 is a bottom elevational view thereof.

1 Claim, 5 Drawing Sheets



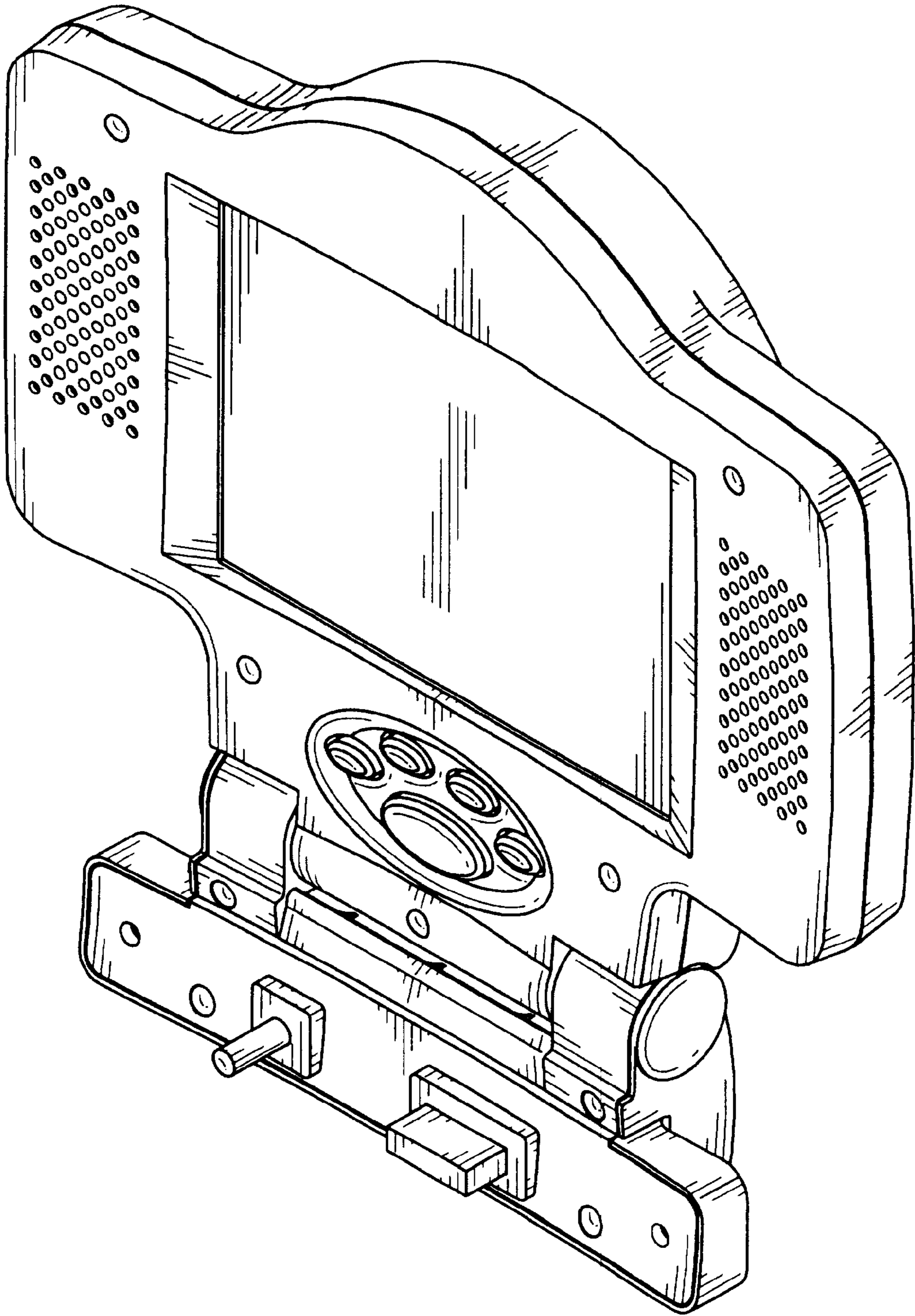


FIG. 1

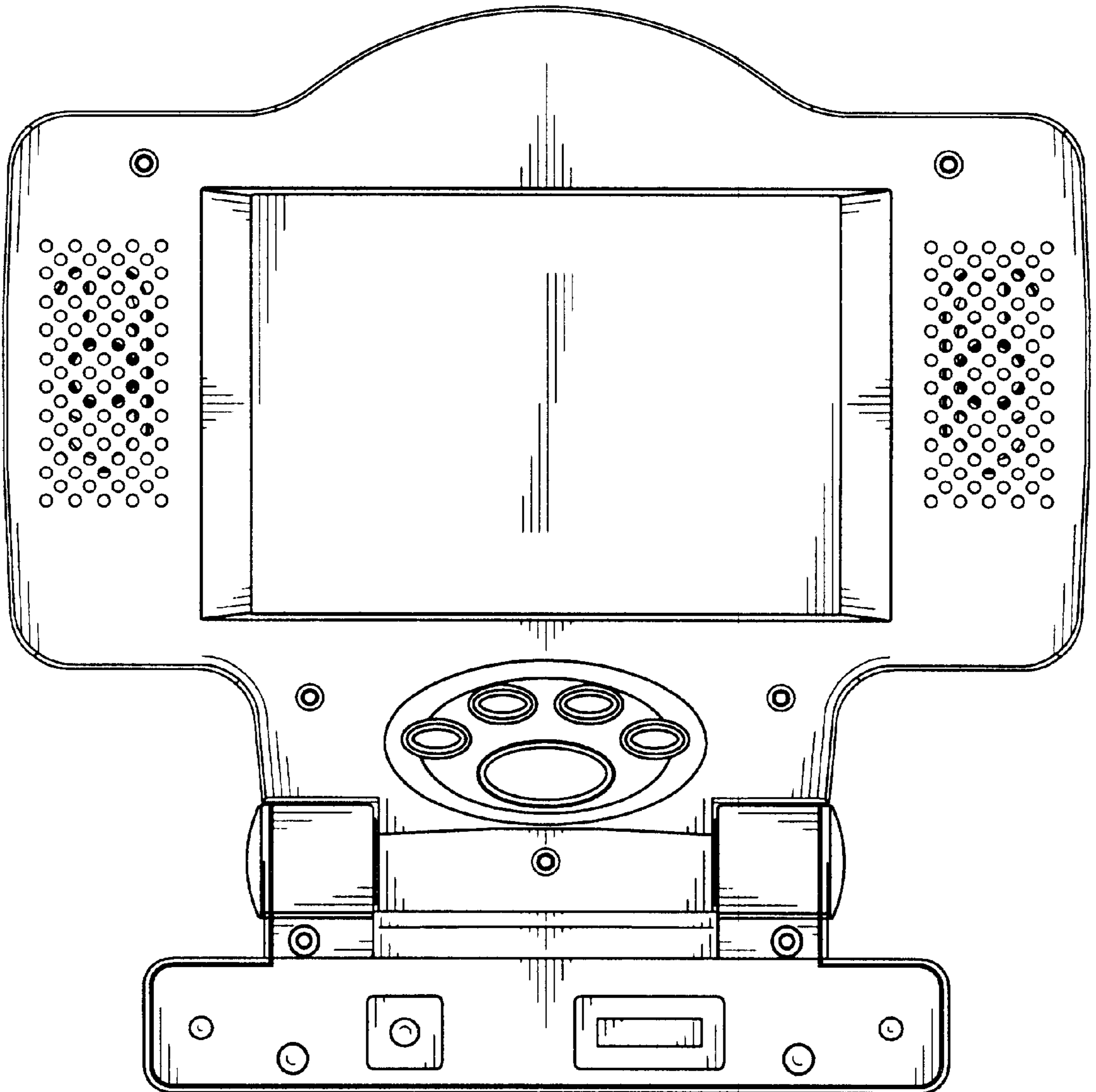


FIG. 2

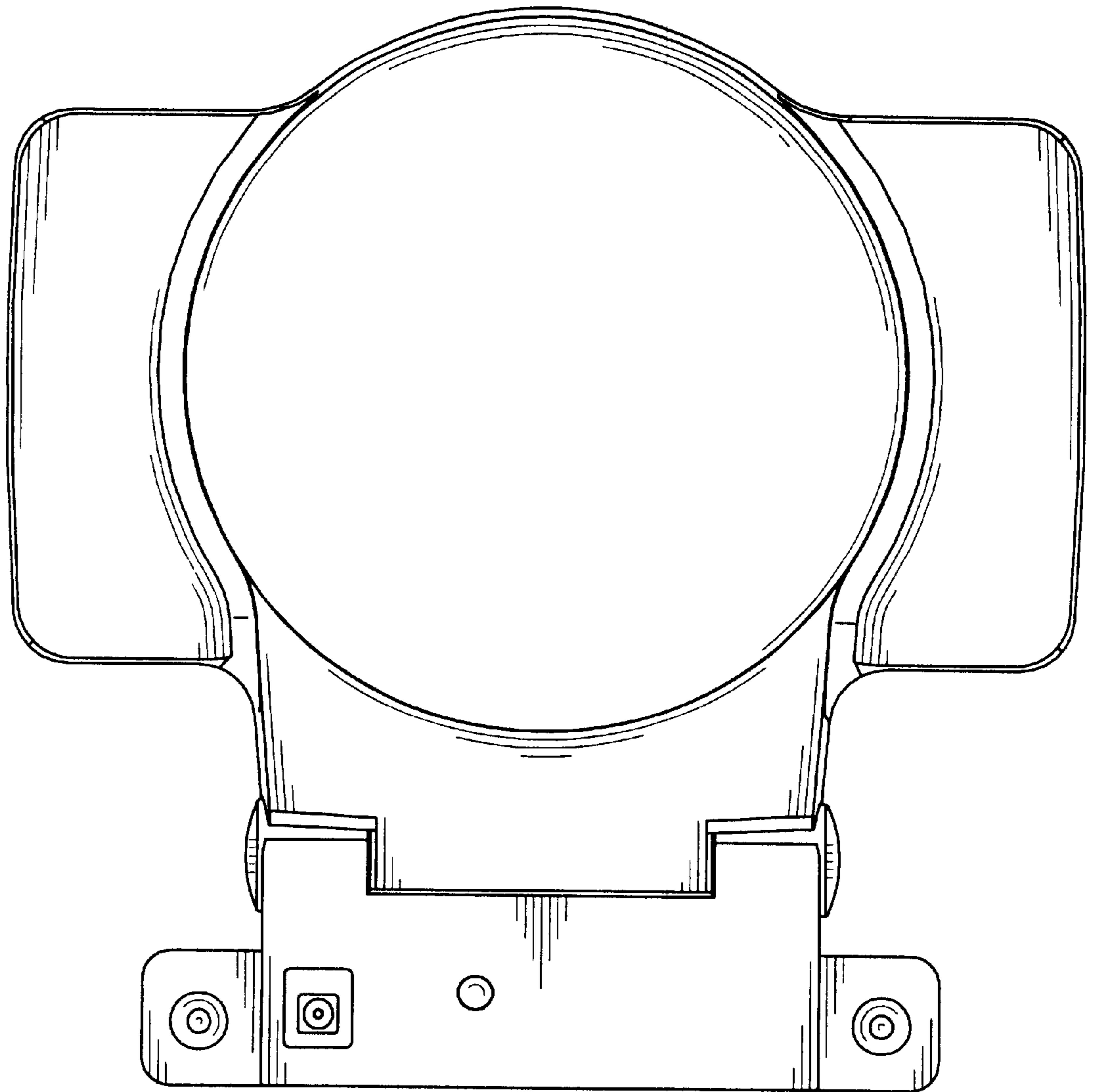


FIG. 3

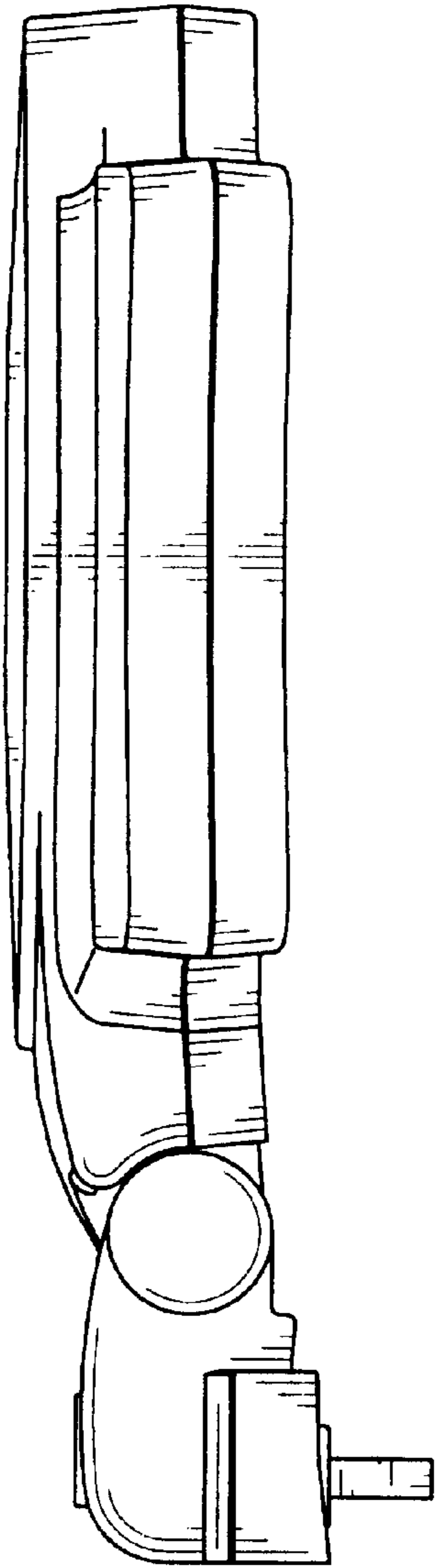


FIG. 4

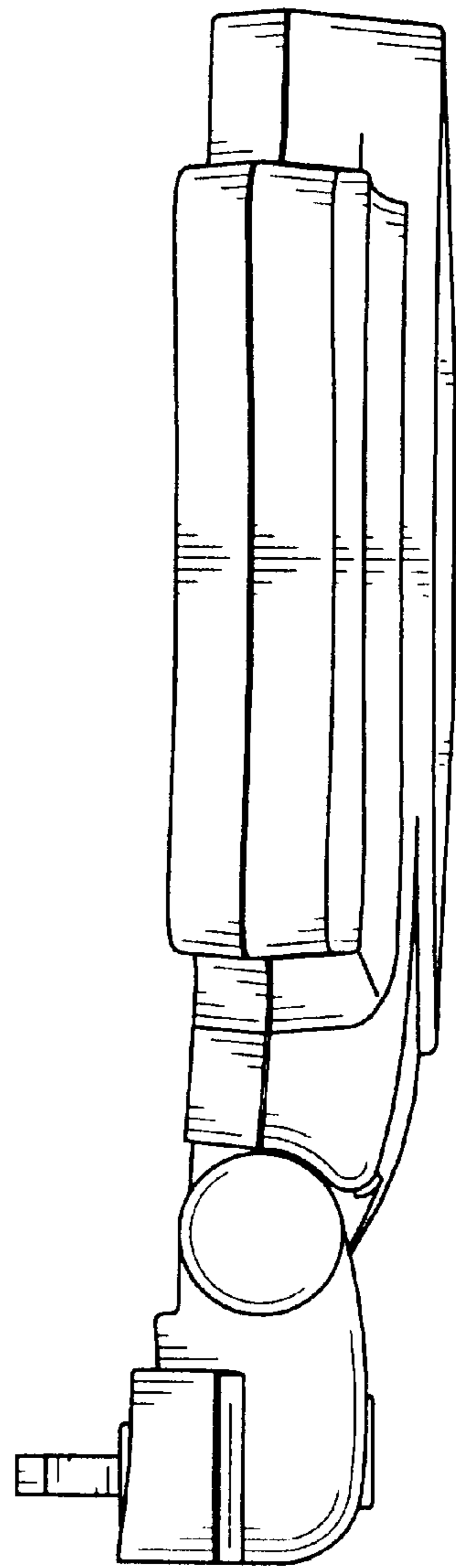


FIG. 5

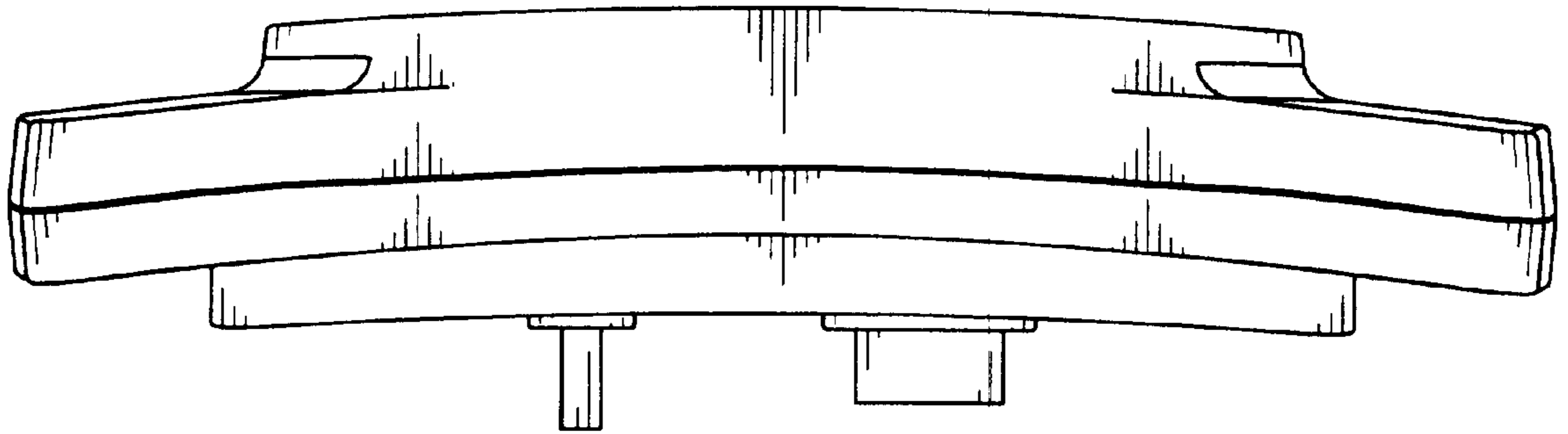


FIG. 6

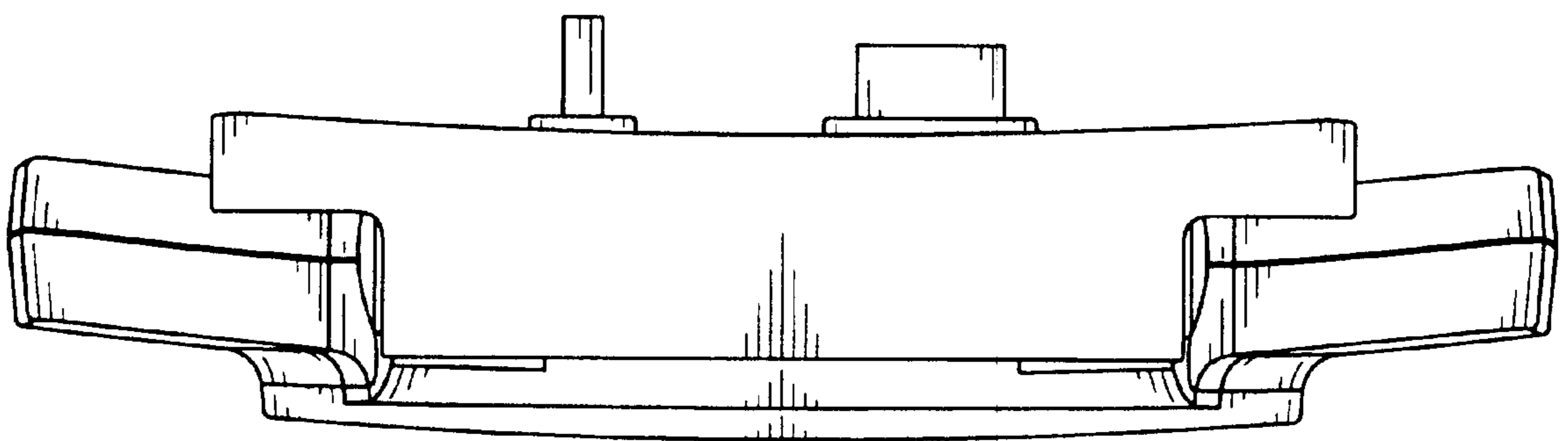


FIG. 7