



US00D460966S

(12) **United States Design Patent**
Wang et al.

(10) **Patent No.:** **US D460,966 S**

(45) **Date of Patent:** **** Jul. 30, 2002**

(54) **COMPUTER ENCLOSURE**

(75) Inventors: **Liang Chin Wang; Yun Lung Chen,**
both of Taipei (TW)

(73) Assignee: **Hon Hai Precision Ind. Co., Ltd.,**
Taipei Hsien (TW)

(**) Term: **14 Years**

(21) Appl. No.: **29/150,533**

(22) Filed: **Nov. 6, 2001**

(51) **LOC (7) Cl.** **14-02**

(52) **U.S. Cl.** **D14/351**

(58) **Field of Search** D14/349, 351-354,
D14/356; D13/162, 184, 199; 312/223.1-223.3;
360/99.01-99.12; 361/690-696; 369/34,
36

(56) **References Cited**

U.S. PATENT DOCUMENTS

- 5,248,193 A * 9/1993 Schlemmer 312/223.2
- 5,828,545 A * 10/1998 Loudenslager 361/683

- D408,020 S * 4/1999 Han D14/349
- D427,594 S * 7/2000 Lai D14/349
- D431,563 S * 10/2000 Jean et al. D14/349
- D434,035 S * 11/2000 Jean et al. D14/349
- D438,203 S * 2/2001 Lai D14/349
- D442,176 S * 5/2001 Wolff et al. D14/349

* cited by examiner

Primary Examiner—Freda Nunn

(74) *Attorney, Agent, or Firm*—Wei Te Chung

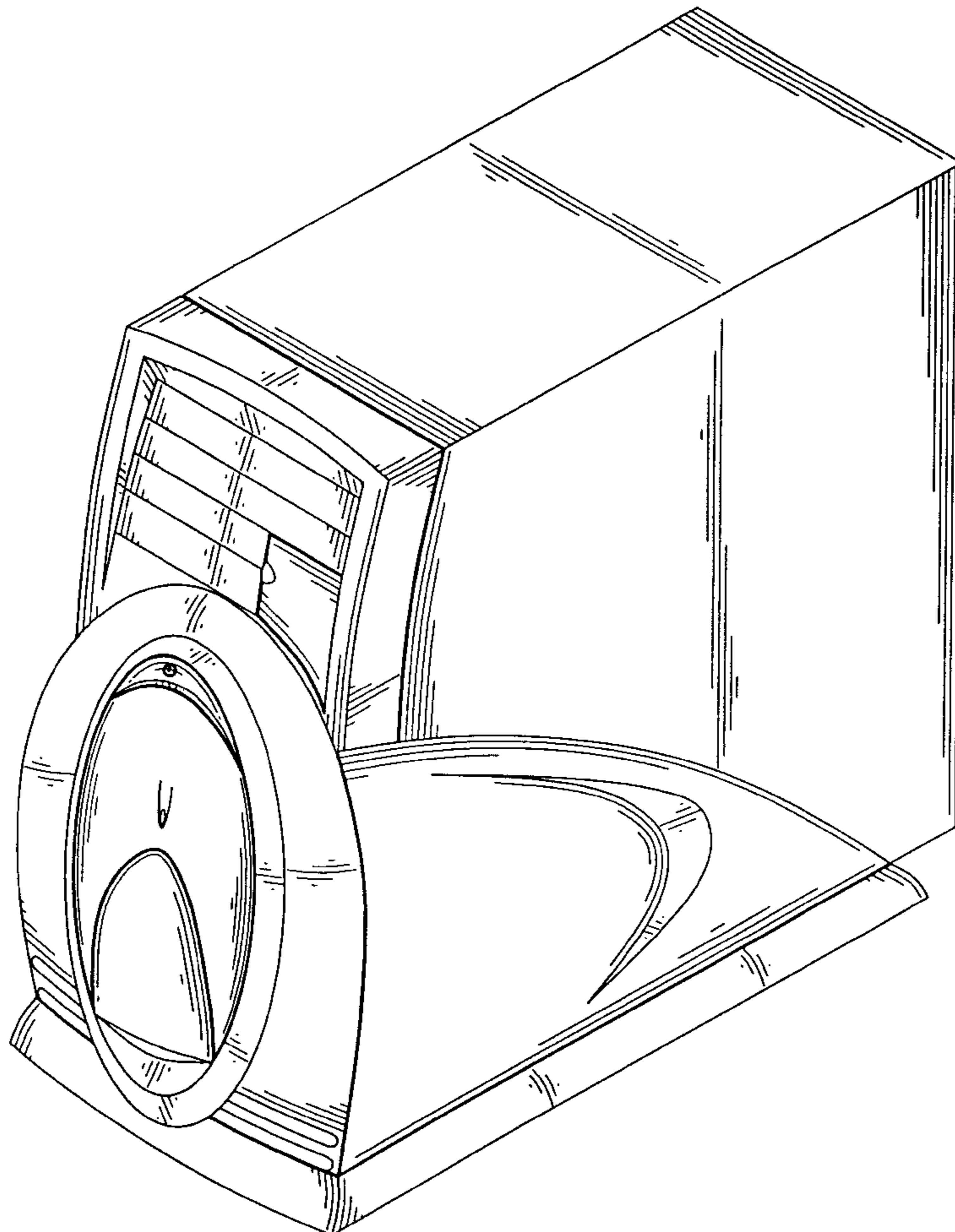
(57) **CLAIM**

The ornamental design for a computer enclosure, as shown.

DESCRIPTION

FIG. 1 is a perspective view of a computer enclosure of our new design;
 FIG. 2 is a front elevational view thereof;
 FIG. 3 is a rear elevational view thereof;
 FIG. 4 is a left side elevational view thereof;
 FIG. 5 is a right side elevational view thereof;
 FIG. 6 is a top plan view thereof; and,
 FIG. 7 is a bottom plan view thereof.

1 Claim, 7 Drawing Sheets



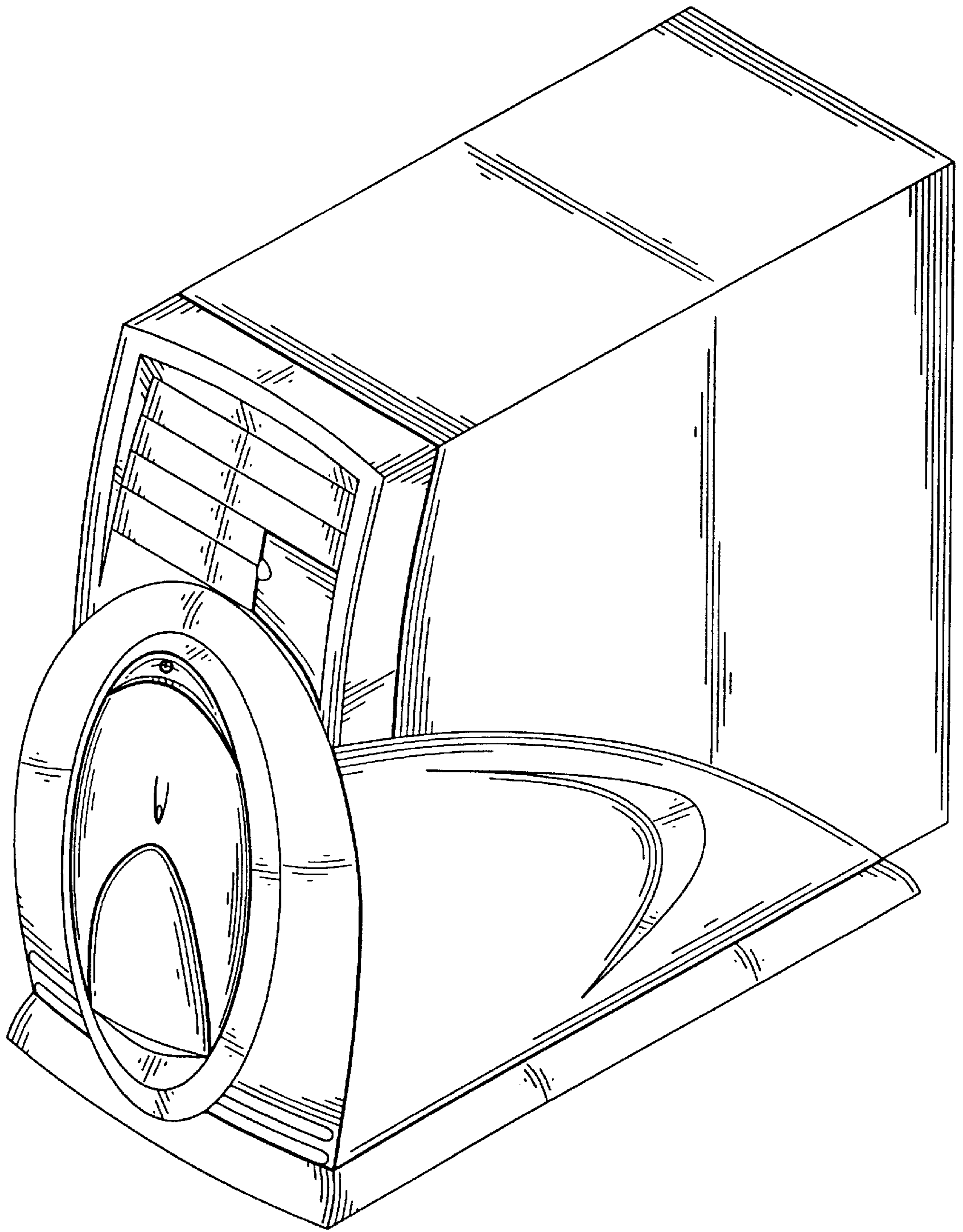


FIG. 1

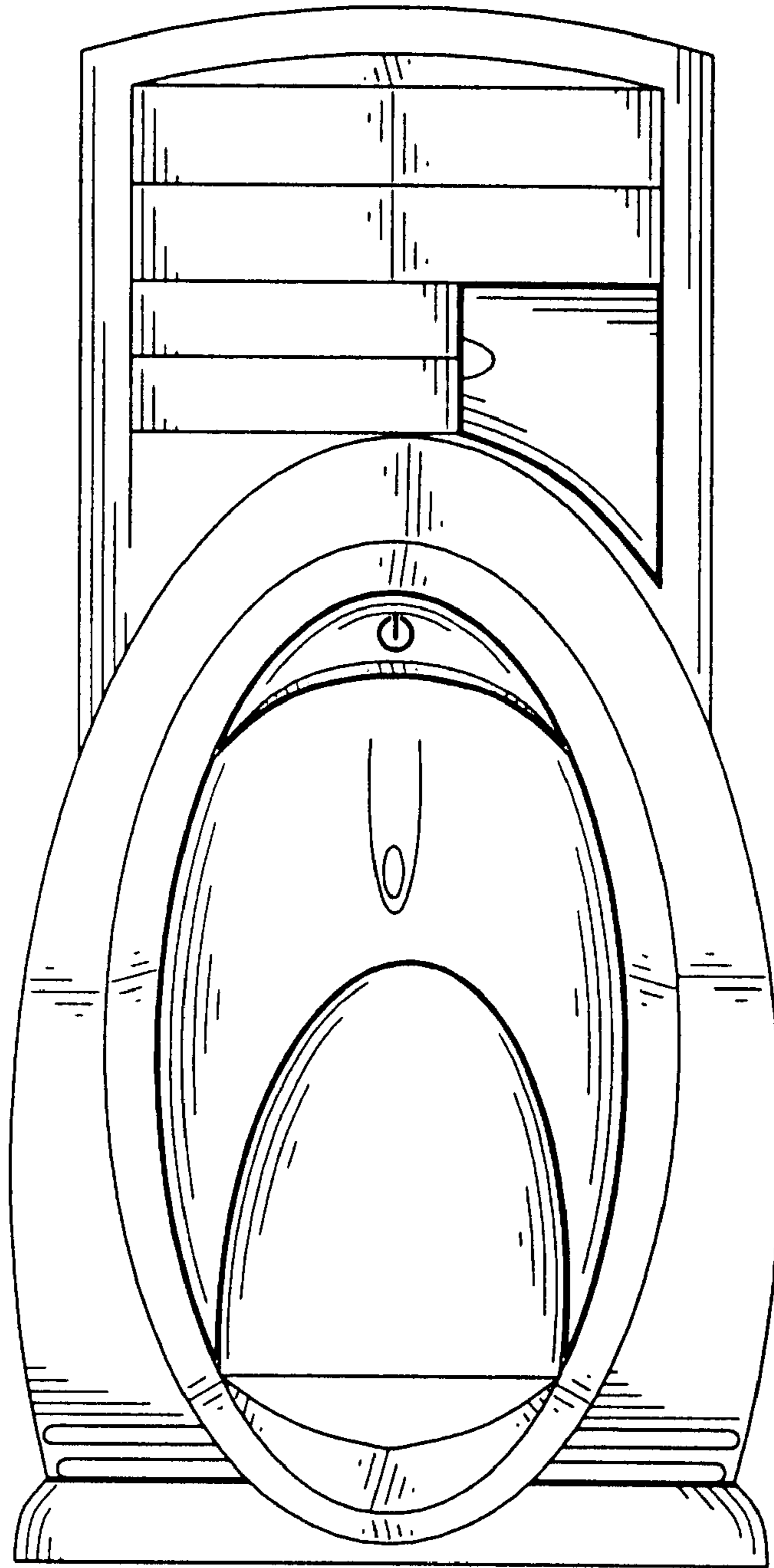


FIG. 2

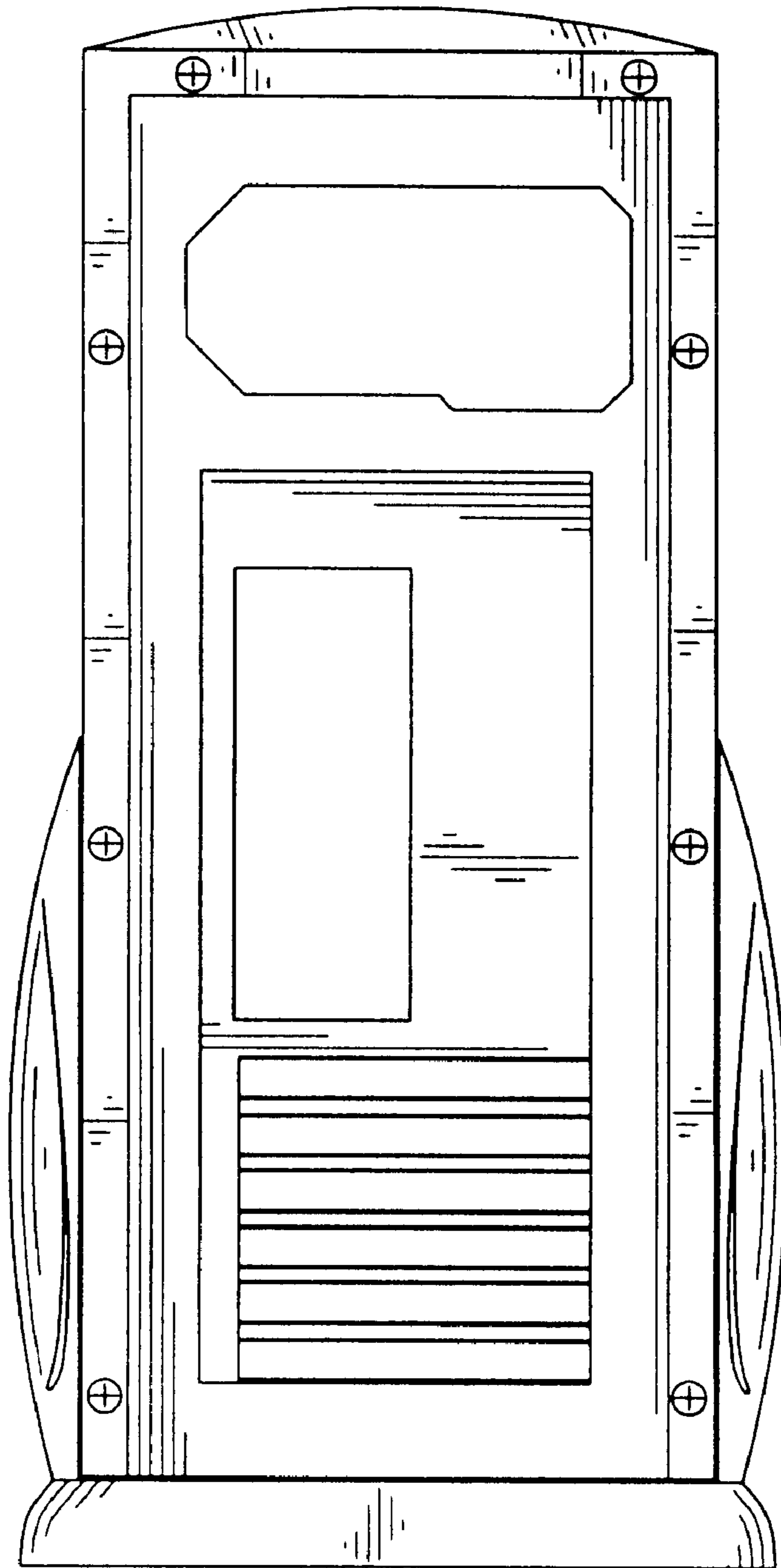


FIG. 3

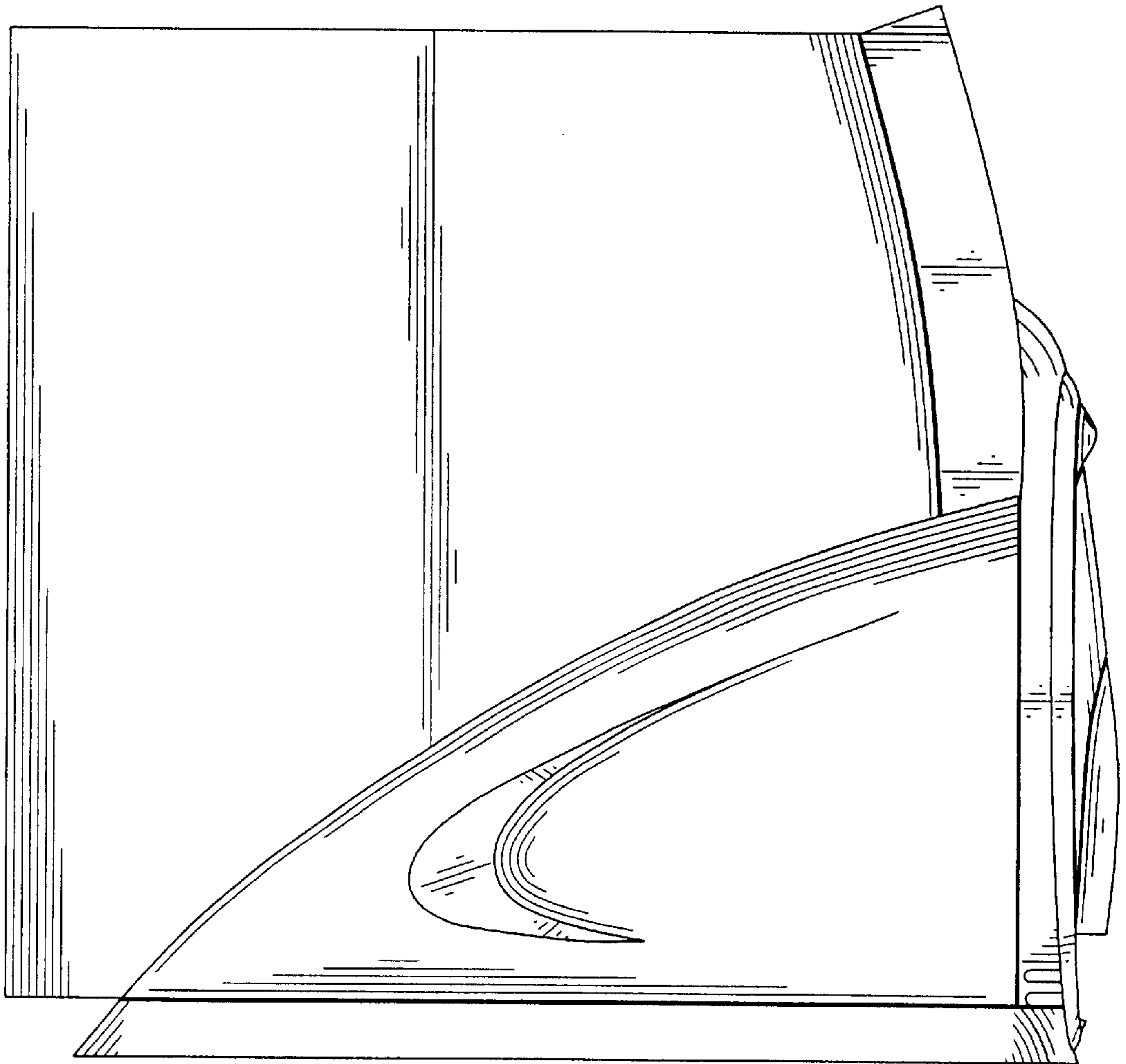


FIG. 4

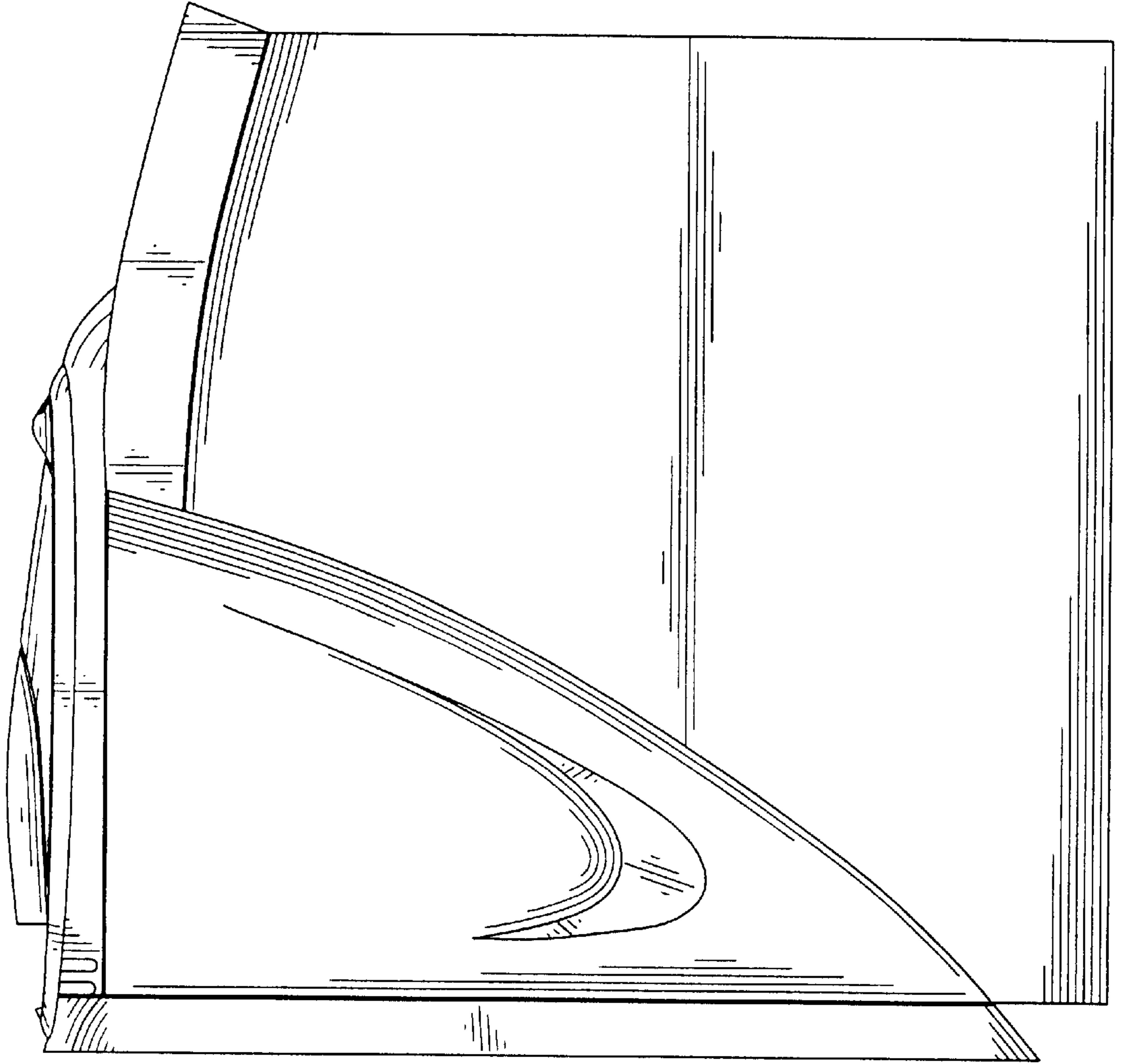


FIG. 5

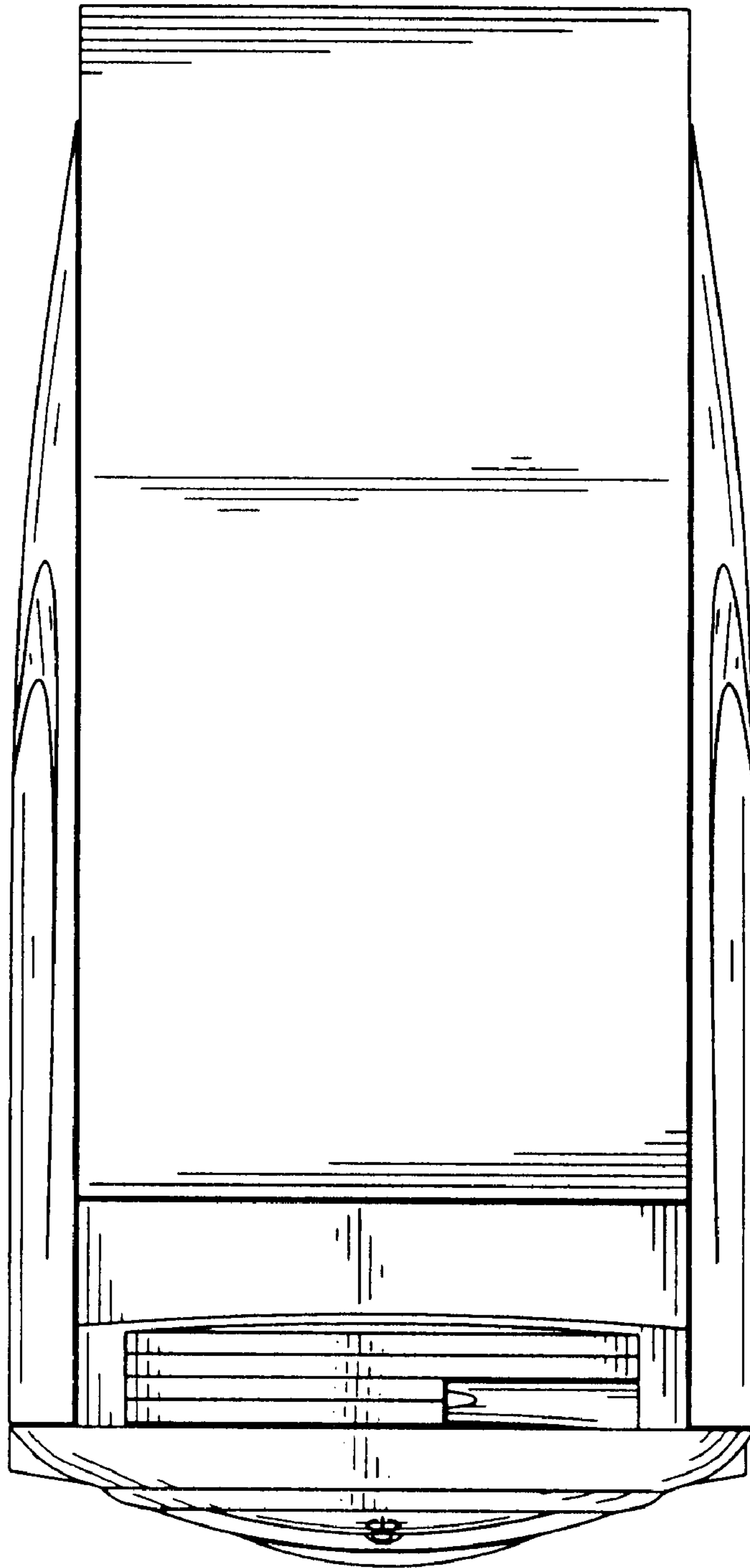


FIG. 6

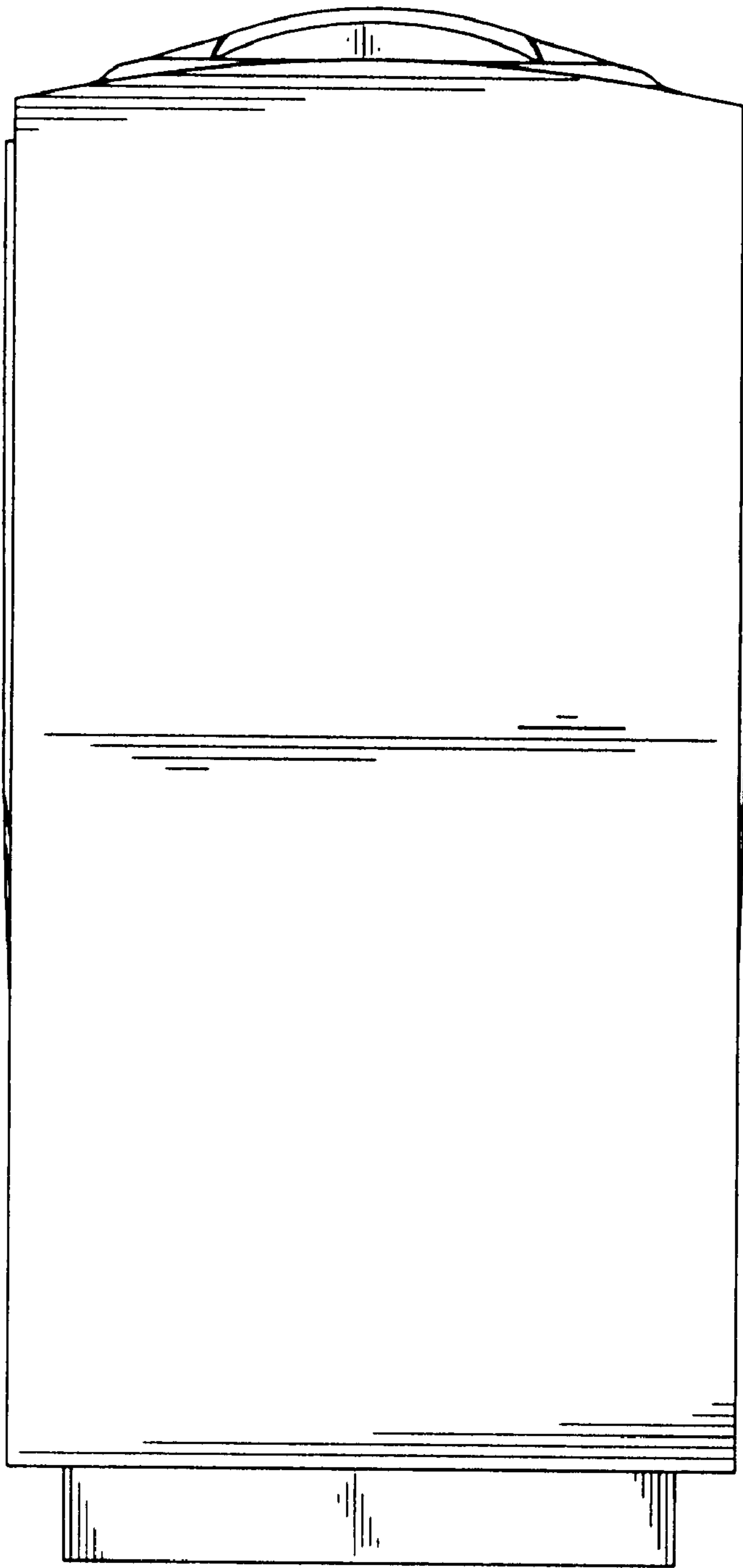


FIG. 7