



US00D460960S

(12) **United States Design Patent**  
**Kao**

(10) **Patent No.:** **US D460,960 S**

(45) **Date of Patent:** **\*\* Jul. 30, 2002**

(54) **WIRELESS EARPHONE**

D403,327 S \* 12/1998 Landreth et al. .... D14/223  
D439,890 S \* 4/2001 Skulley et al. .... D14/223

(75) Inventor: **Eric Kao**, Taipei Hsien (TW)

\* cited by examiner

(73) Assignee: **Everspring Industry Co., Ltd.**, Tu Cheng (TW)

*Primary Examiner*—Nanda Bondade

(74) *Attorney, Agent, or Firm*—Bacon & Thomas, PLLC

(\*\*) Term: **14 Years**

(57) **CLAIM**

(21) Appl. No.: **29/146,048**

The ornamental design for a wireless earphone, as shown.

(22) Filed: **Aug. 3, 2001**

**DESCRIPTION**

(51) **LOC (7) Cl.** ..... **14-01**

(52) **U.S. Cl.** ..... **D14/223**

(58) **Field of Search** ..... D14/188, 192,  
D14/205–206, 223; 181/129–130; 379/430,  
433; 381/370, 376–381

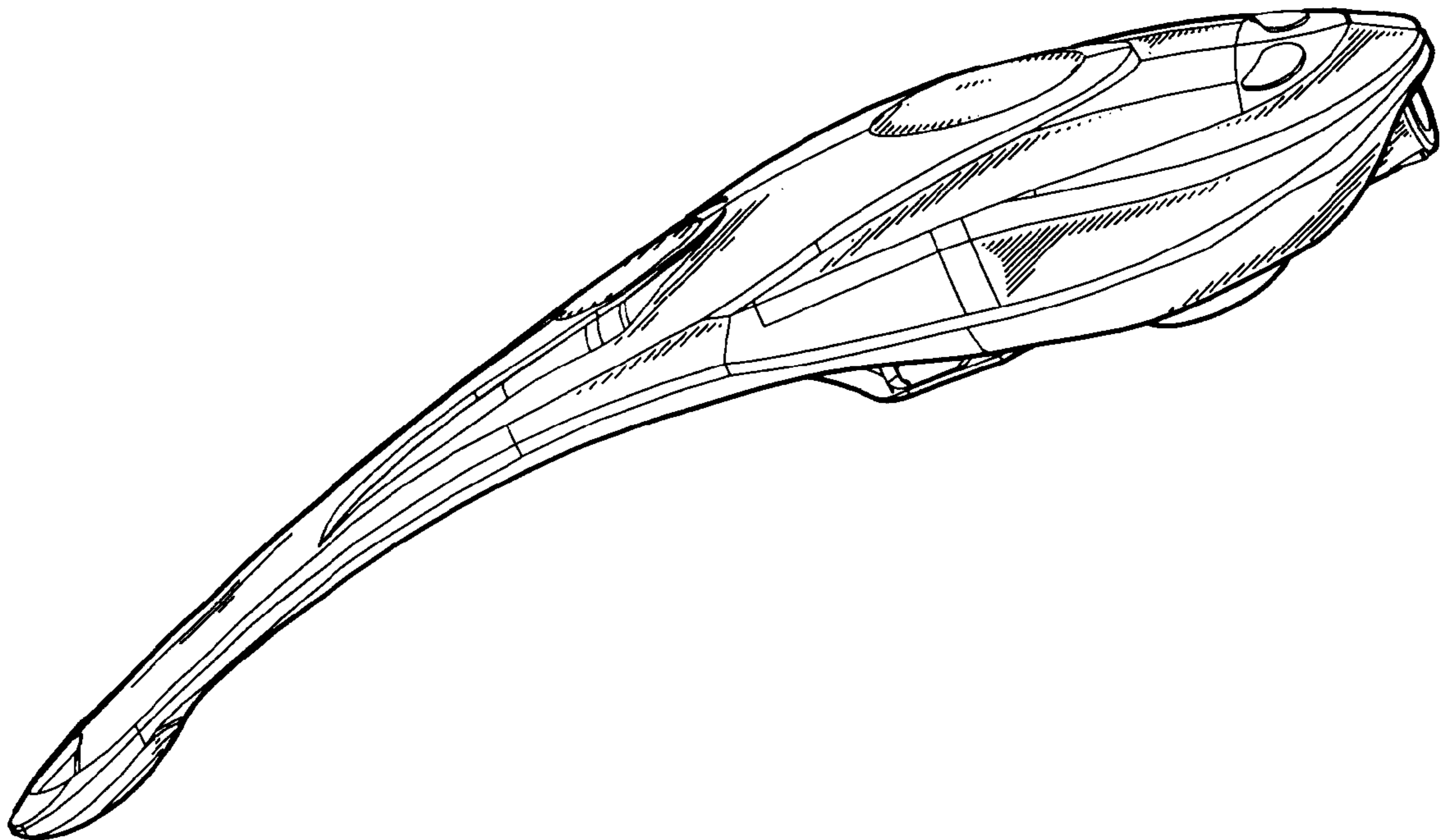
FIG. 1 is a front right perspective view of a wireless earphone showing my new design;  
FIG. 2 is a front elevational view thereof;  
FIG. 3 is a rear elevational view thereof;  
FIG. 4 is a left side elevation view thereof;  
FIG. 5 is a right side elevation view thereof;  
FIG. 6 is a top plan view thereof; and,  
FIG. 7 is a bottom plan view thereof.

(56) **References Cited**

**U.S. PATENT DOCUMENTS**

D366,486 S \* 1/1996 Runquist et al. .... D14/206

**1 Claim, 7 Drawing Sheets**





*FIG. 1*

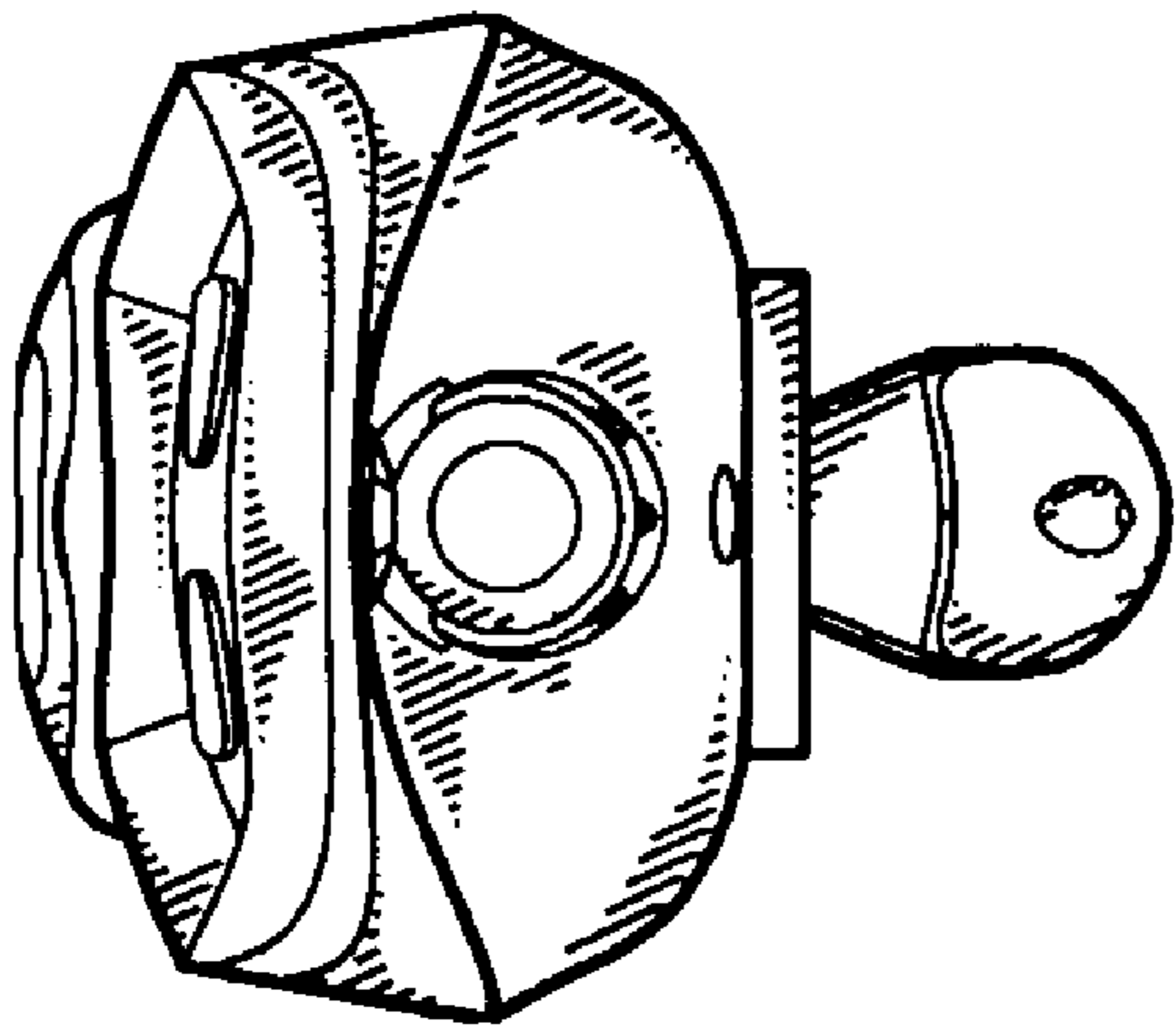
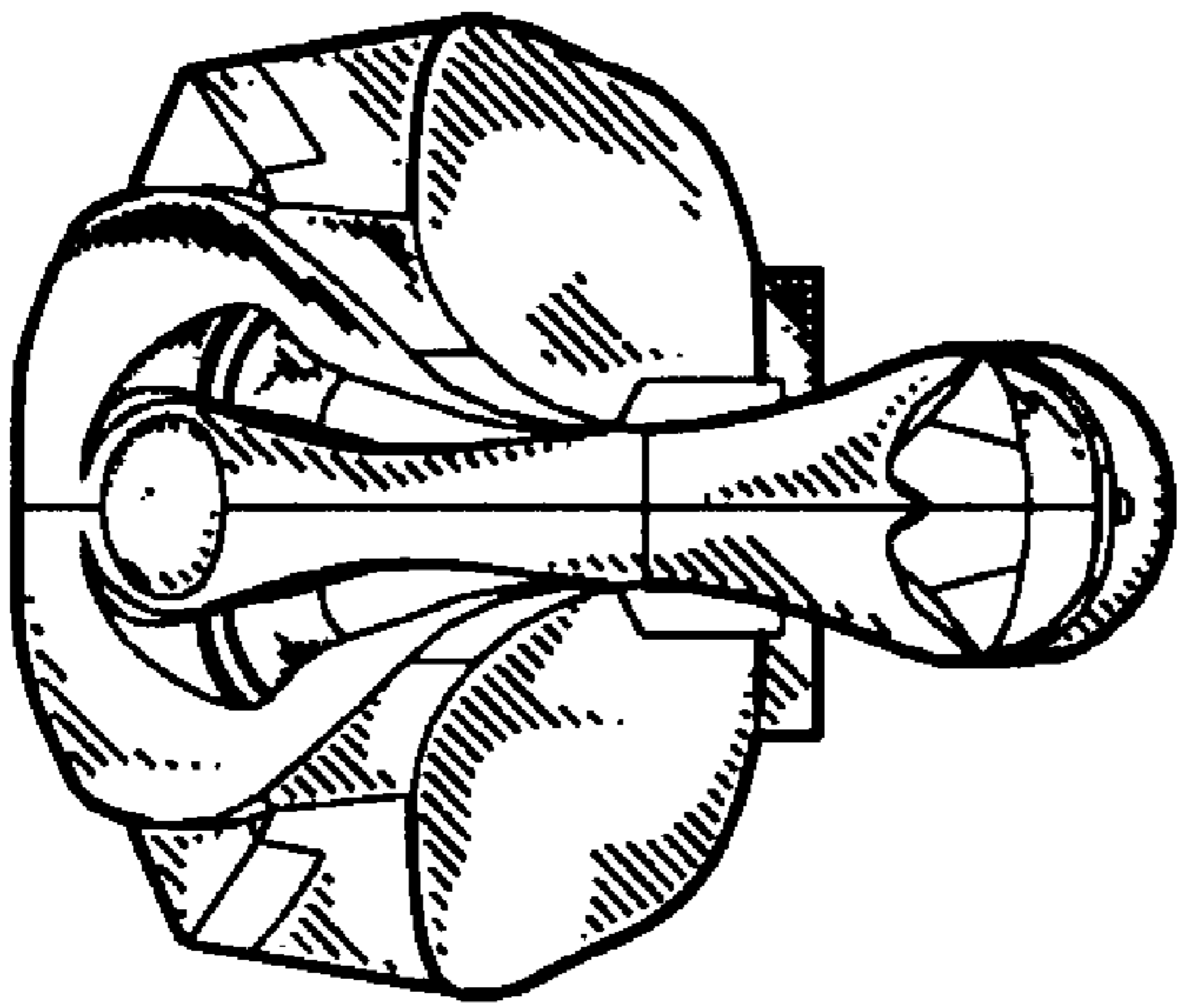
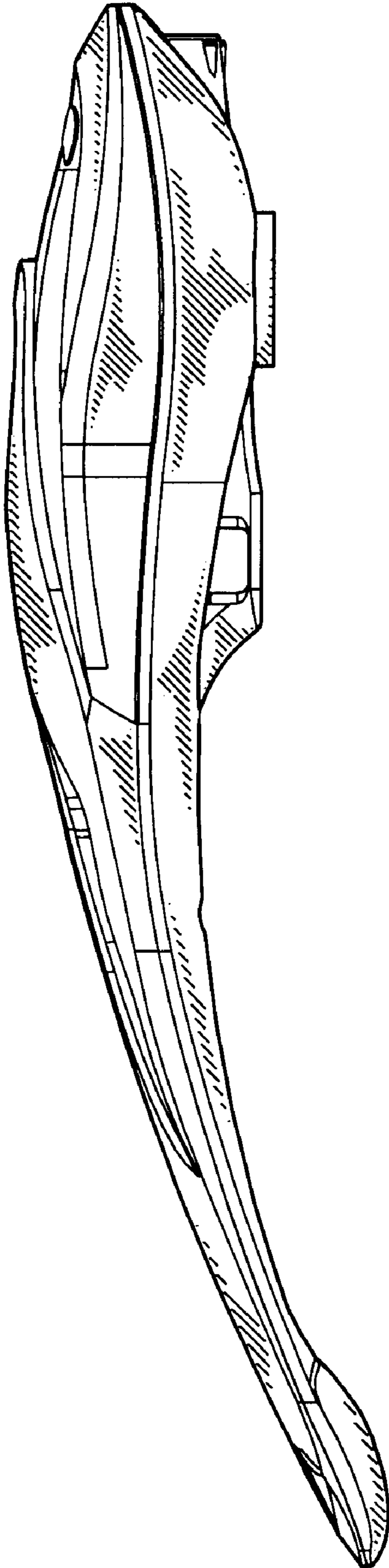


FIG. 2



*FIG. 3*



*FIG. 4*

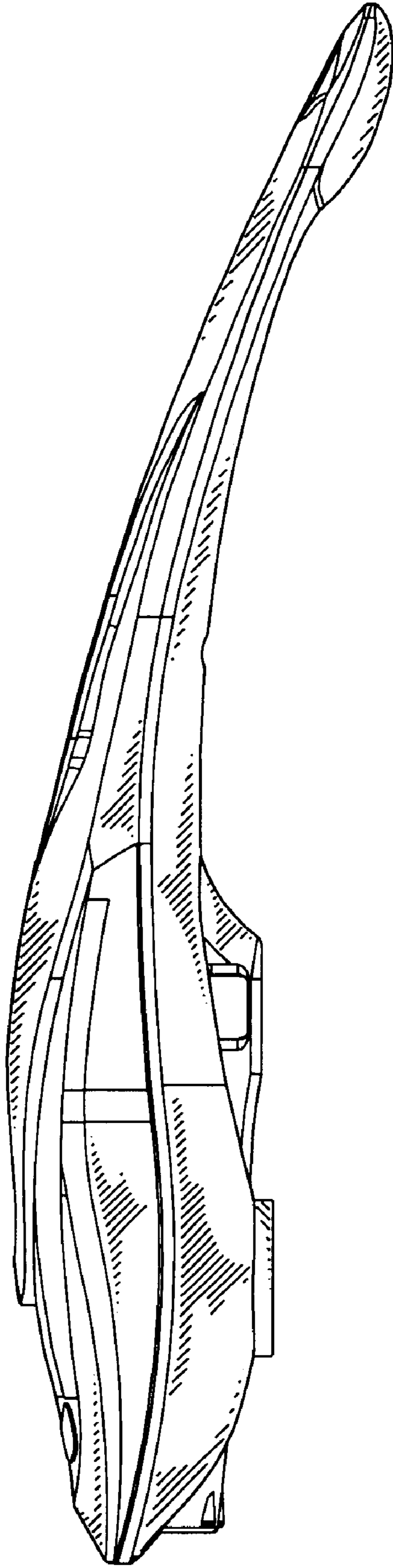
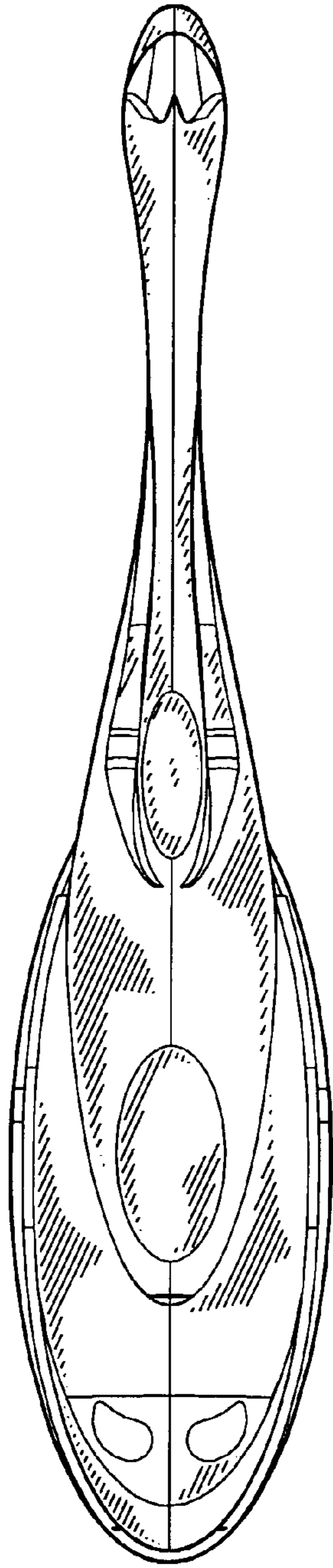
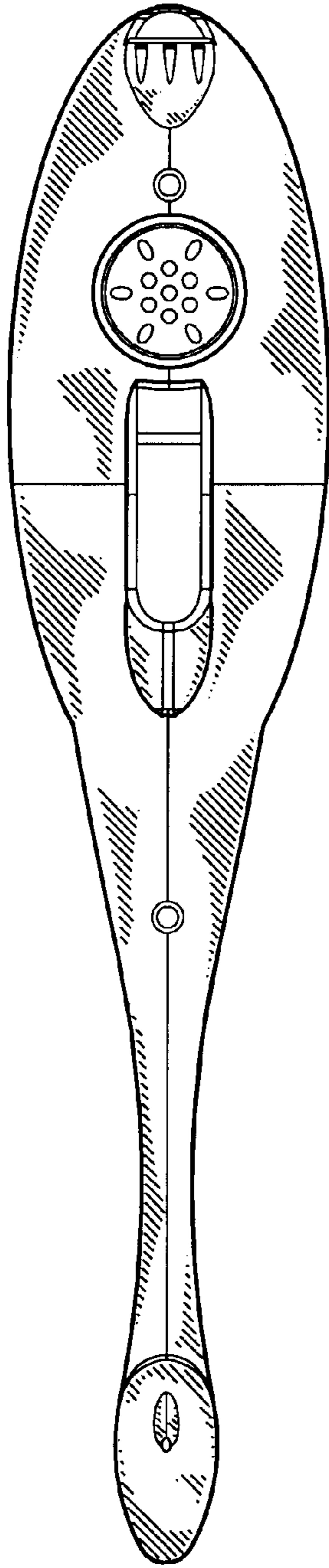


FIG. 5



*FIG. 6*



*FIG. 7*