



US00D460959S

(12) **United States Design Patent**
Solland

(10) **Patent No.:** **US D460,959 S**

(45) **Date of Patent:** **** Jul. 30, 2002**

- (54) **PORTION OF A SPEAKER**
- (75) Inventor: **Kurt Solland**, Westlake Village, CA (US)
- (73) Assignee: **Harman International Industries, Incorporated**, Northridge, CA (US)
- (**) Term: **14 Years**
- (21) Appl. No.: **29/147,138**
- (22) Filed: **Aug. 24, 2001**

| | | | | | |
|-------------|---|---------|-----------------|-------|-----------|
| 2,888,090 A | * | 5/1959 | Wylezik | | 181/147 |
| D222,072 S | * | 9/1971 | Levitt | | D14/211 |
| D413,887 S | * | 9/1999 | Renk | | D14/211 X |
| D417,872 S | * | 12/1999 | Monson | | D14/215 X |
| D430,142 S | * | 8/2000 | Kuo et al. | | D14/216 |
| D432,116 S | * | 10/2000 | Ichikawa et al. | | D14/211 |

* cited by examiner

Primary Examiner—Nanda Bondade

(74) *Attorney, Agent, or Firm*—Banner & Witcoff, Ltd.

(57) **CLAIM**

The ornamental design for a portion of a speaker, as shown and described.

Related U.S. Application Data

- (62) Division of application No. 29/138,826, filed on Mar. 20, 2001.
- (51) **LOC (7) Cl.** **14-01**
- (52) **U.S. Cl.** **D14/221; D14/207; D14/211; D14/216**
- (58) **Field of Search** D7/522, 524, 537; D14/204, 207–216, 221–222, 224; 181/144–145, 147–148, 150, 153, 157, 198–199; 381/300–302, 307, 359, 361–364, 386

DESCRIPTION

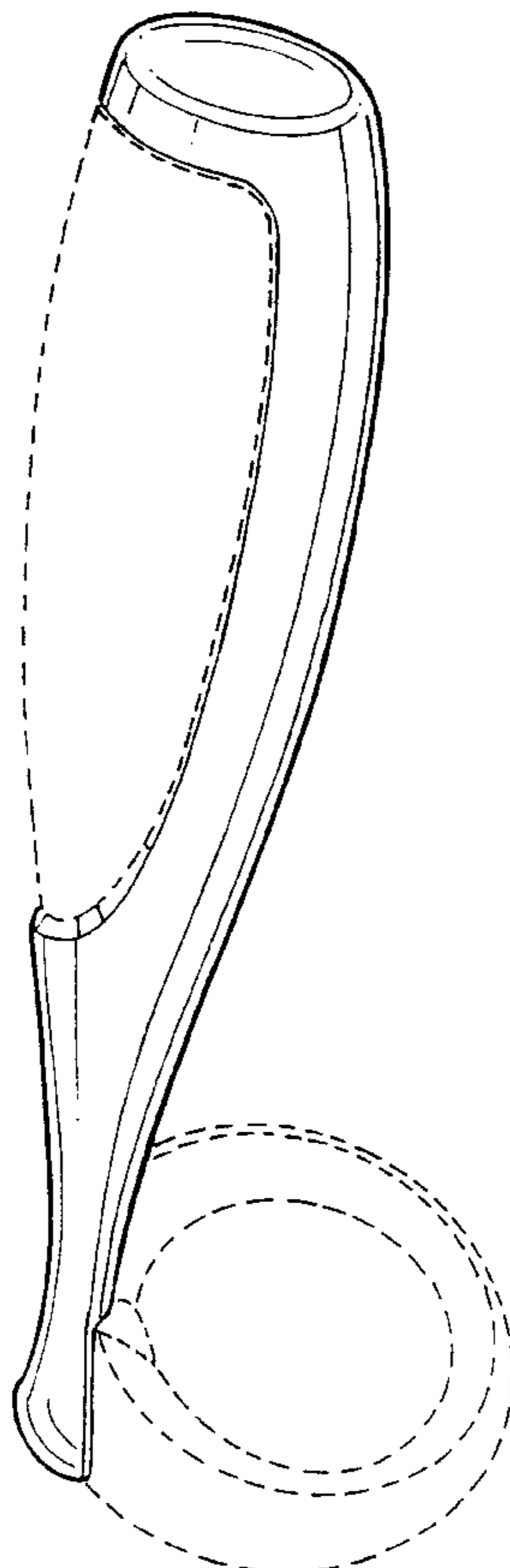
FIG. 1 is a perspective view of a portion of a speaker showing my new design;
 FIG. 2 is a reduced front elevational view thereof;
 FIG. 3 is a rear elevational view thereof;
 FIG. 4 is a side elevational view of one side thereof, the other side view being a mirror image thereof; and,
 FIG. 5 is a top plan view thereof.
 The broken lines with in the claimed area in FIGS. 1–2 and 4–5 represent the bounds of the claim and all other broken lines are for illustrative purposes only. None of the broken lines form a part of the claimed design.

(56) **References Cited**

U.S. PATENT DOCUMENTS

D74,218 S * 1/1928 Grau D14/207

1 Claim, 2 Drawing Sheets



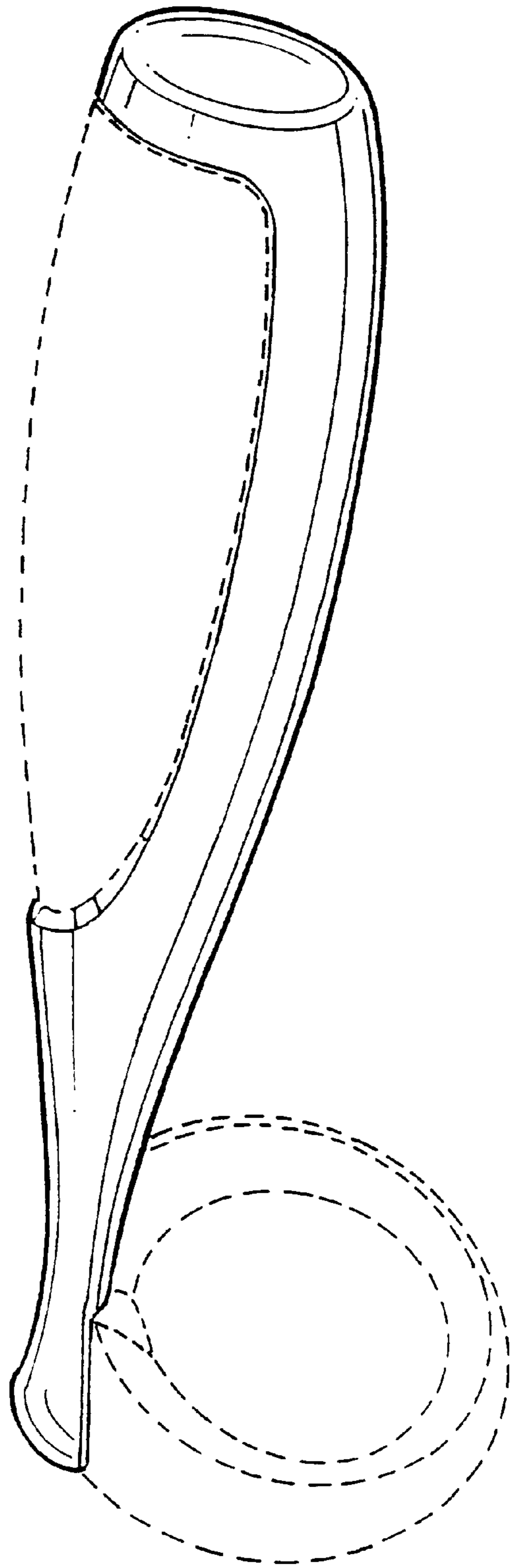


FIG. 1

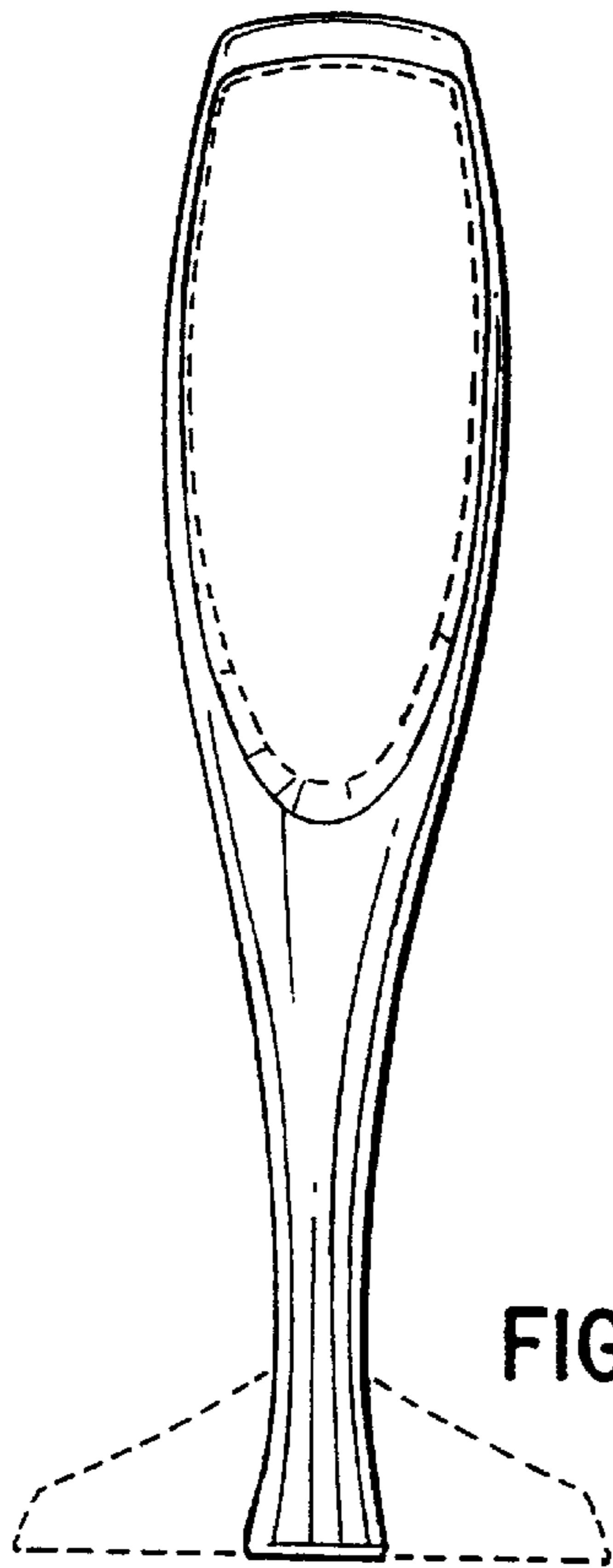


FIG. 2

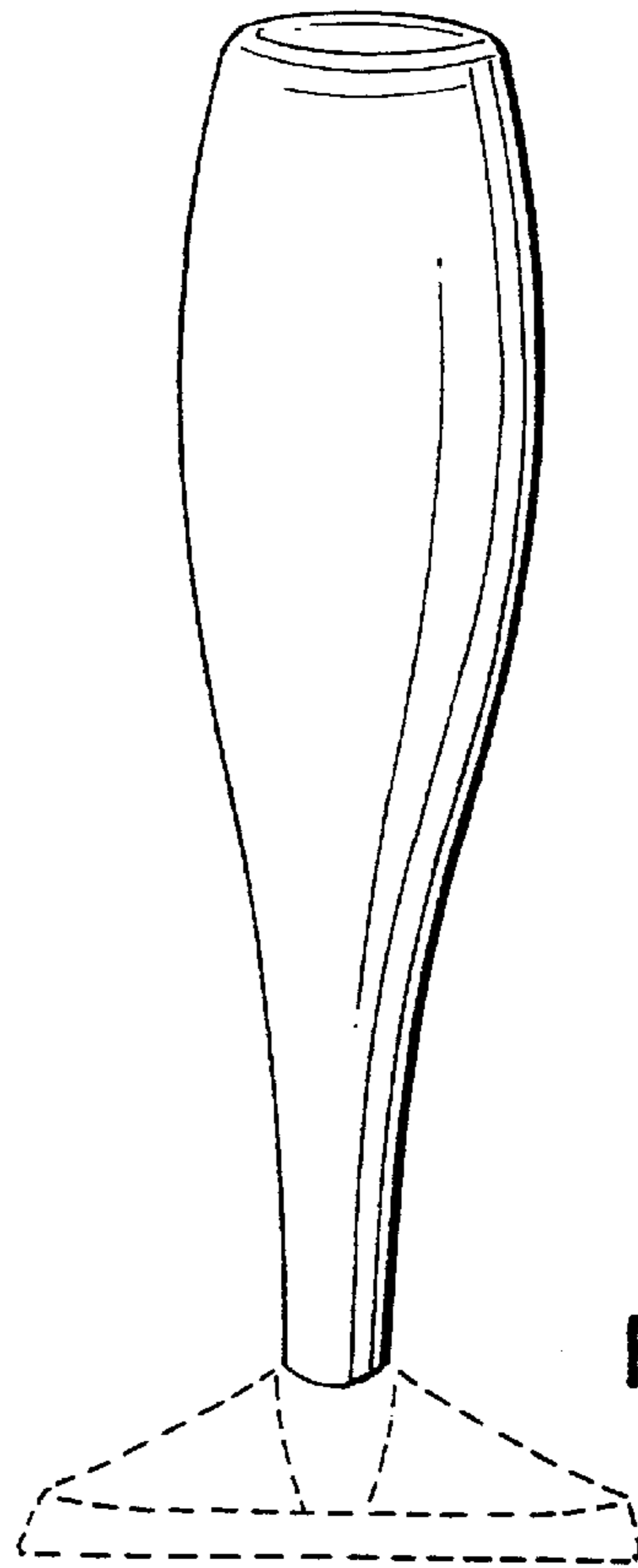


FIG. 3

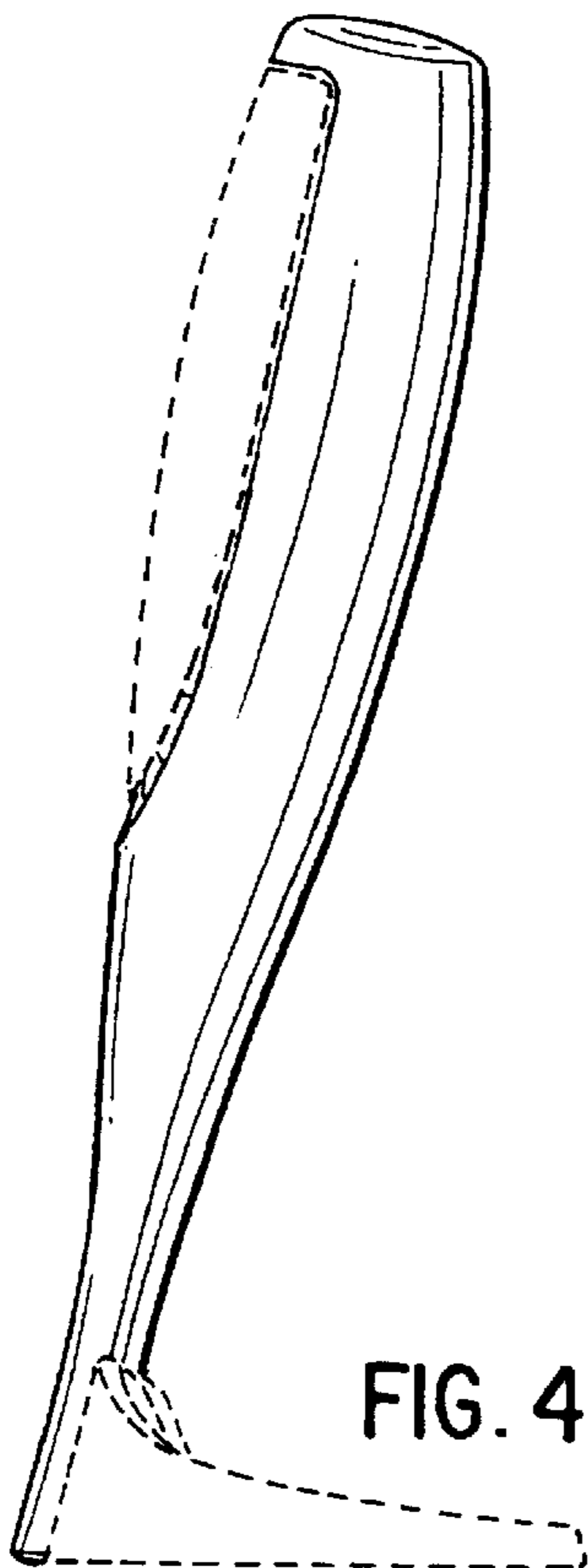


FIG. 4

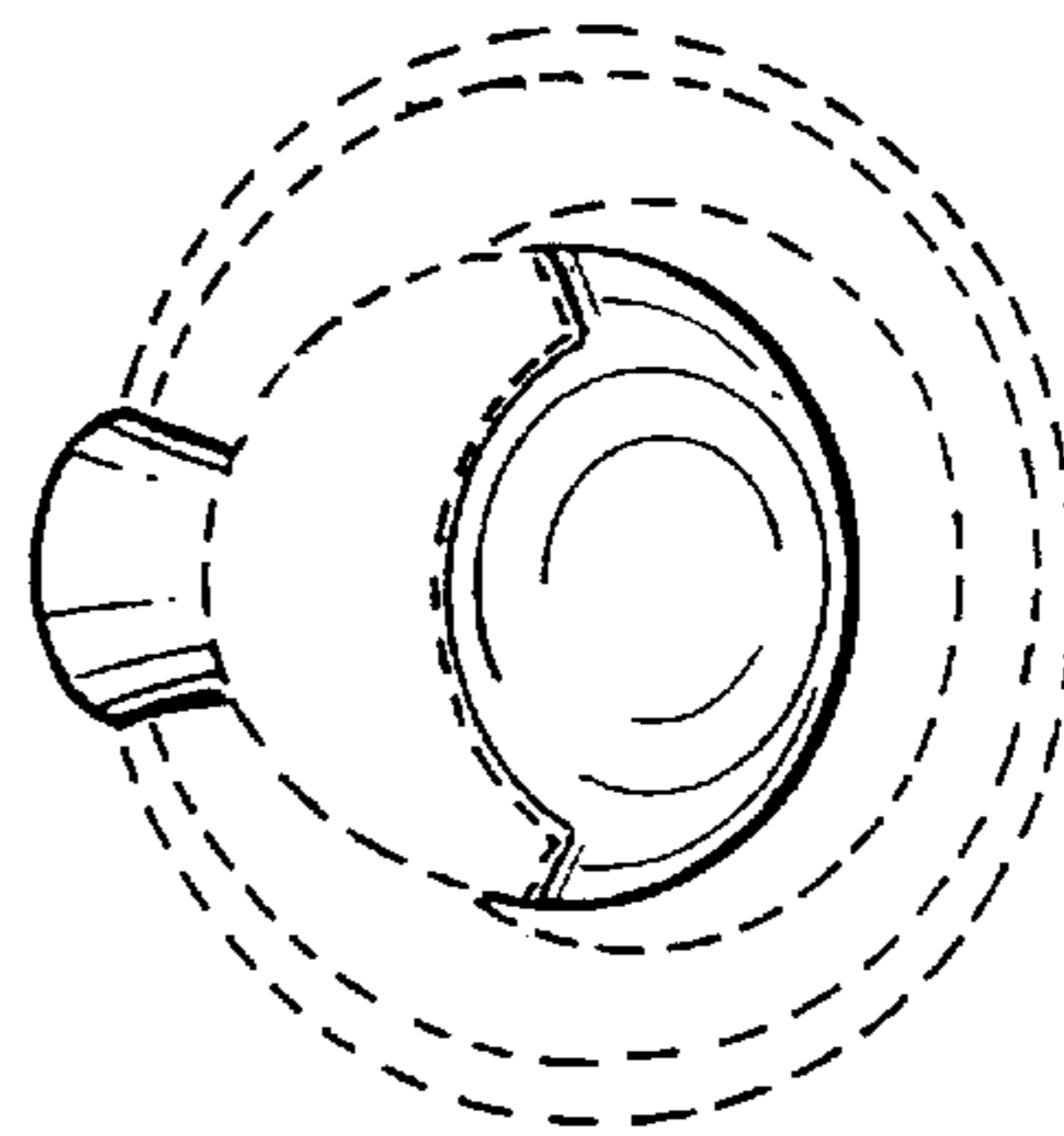


FIG. 5