



US00D460953S

(12) **United States Design Patent**
Argle et al.

(10) **Patent No.:** **US D460,953 S**

(45) **Date of Patent:** **** Jul. 30, 2002**

(54) **CELLULAR PHONE**

(76) Inventors: **Tyler B. Argle; Shane R. Tidwell**, both
of 1278 S. 1100 West, Woods Cross,
UT (US) 84087

(**) Term: **14 Years**

(21) Appl. No.: **29/148,972**

(22) Filed: **Sep. 29, 2001**

(51) **LOC (7) Cl.** **14-03**

(52) **U.S. Cl.** **D14/138**

(58) **Field of Search** D14/137, 138,
D14/218, 147-148, 247-248, 144, 243,
341-347; 379/433.01-433.13, 419, 434,
428.01-428.04, 420.01-420.04, 440, 430;
455/550-575, 90; D13/168; D10/104, 106;
D3/208

D389,763 S	*	1/1998	Merritt, III	D10/106
5,724,667 A	*	3/1998	Furuno	455/575
5,749,057 A	*	5/1998	Takagi	455/569
D396,464 S	*	7/1998	Bradford	D14/138
D401,565 S	*	11/1998	Smith et al.	D13/168
D407,032 S	*	3/1999	McDonald	D10/104
5,940,503 A	*	8/1999	Palett et al.	379/454
5,982,883 A	*	11/1999	Alix et al.	379/433.13
6,052,464 A	*	4/2000	Harris et al.	379/433.07
6,118,882 A	*	9/2000	Haynes	381/374
6,137,883 A	*	10/2000	Kaschke et al.	379/433.07
D433,671 S	*	11/2000	Fitzgerald	D14/142
D434,403 S	*	11/2000	Jaynes et al.	D14/138
6,246,765 B1	*	6/2001	Palett et al.	379/454

* cited by examiner

Primary Examiner—Jeffrey Asch

(57) **CLAIM**

The ornamental design for a cellular phone, as shown and described.

(56) **References Cited**

U.S. PATENT DOCUMENTS

4,754,484 A	*	6/1988	Larkin et al.	379/430
D313,398 S	*	1/1991	Gilchrist	D13/168
5,281,953 A	*	1/1994	Torres et al.	340/571
D346,382 S	*	4/1994	Ando et al.	D14/138
D358,785 S	*	5/1995	Flick	D10/104
D371,135 S	*	6/1996	Jutte	D14/240
5,555,449 A	*	9/1996	Kim	455/575
D377,320 S	*	1/1997	McGuire	D10/104

DESCRIPTION

FIG. 1 is a front view of a cellular phone showing my new design.

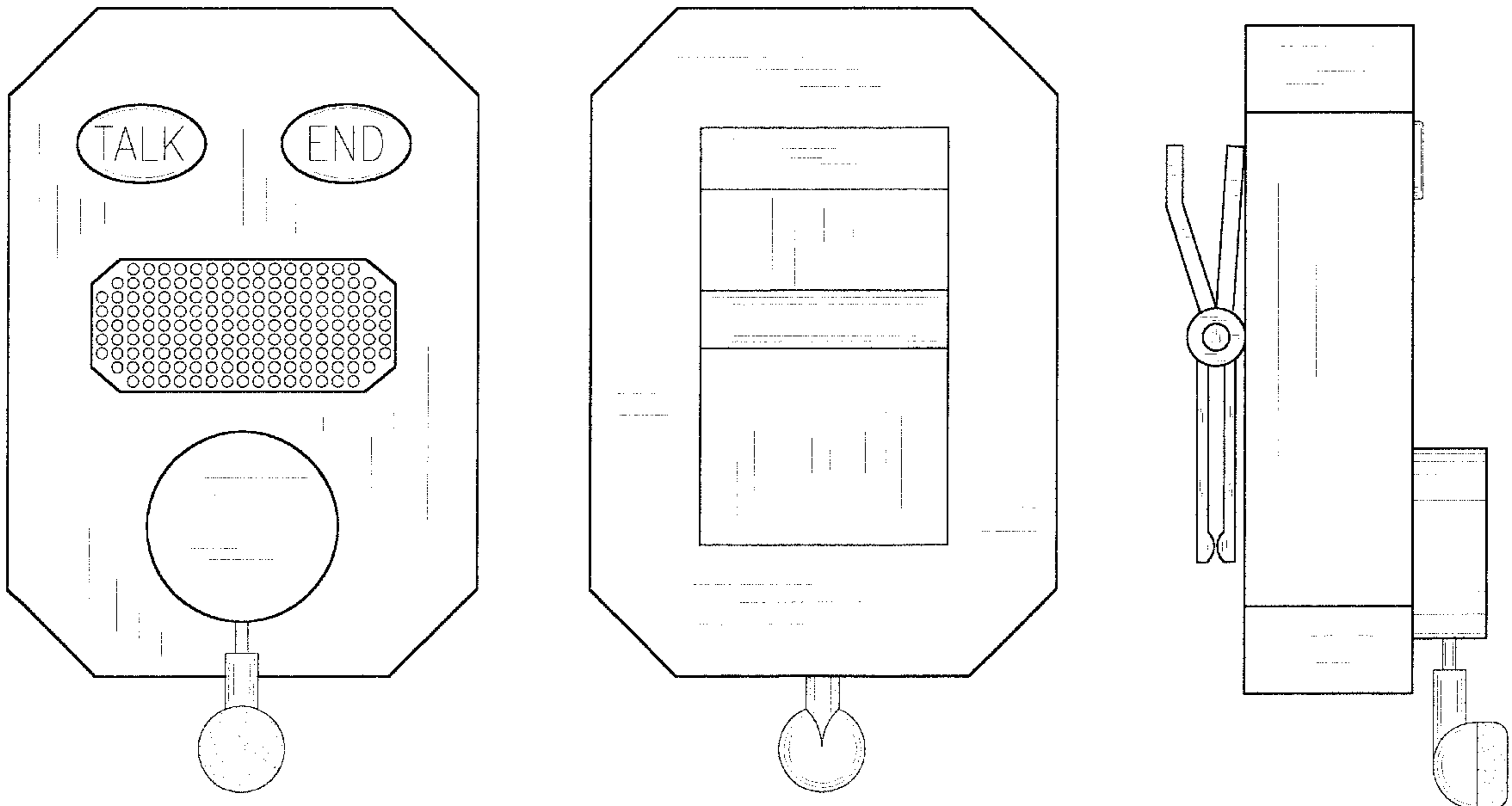
FIG. 2 is a rear view of the cellular phone.

FIG. 3 is a side view of the cellular phone.

FIG. 4 is a top view of the cellular phone; and,

FIG. 5 is a bottom view of the cellular phone.

1 Claim, 2 Drawing Sheets



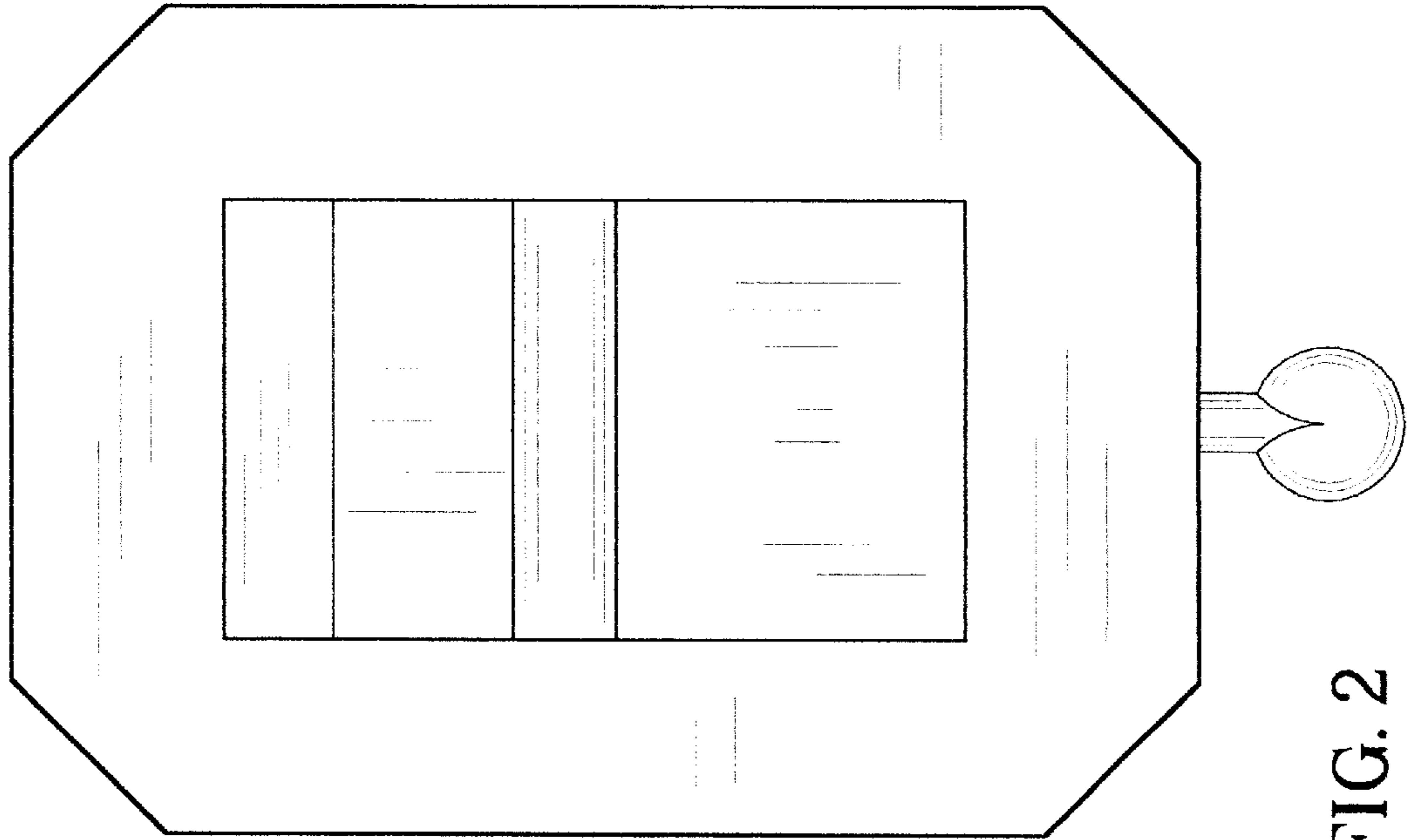


FIG. 2

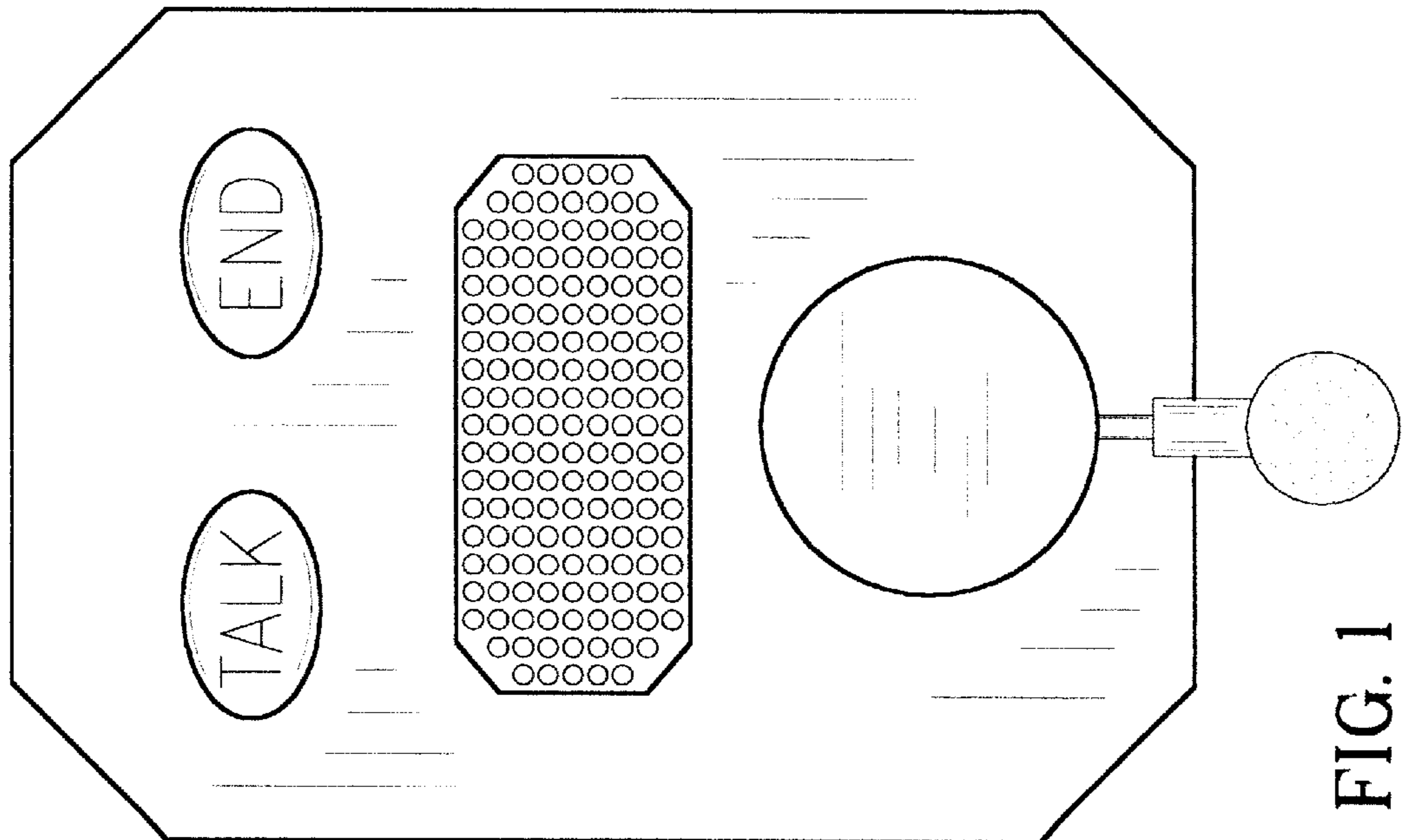


FIG. 1

FIG. 3

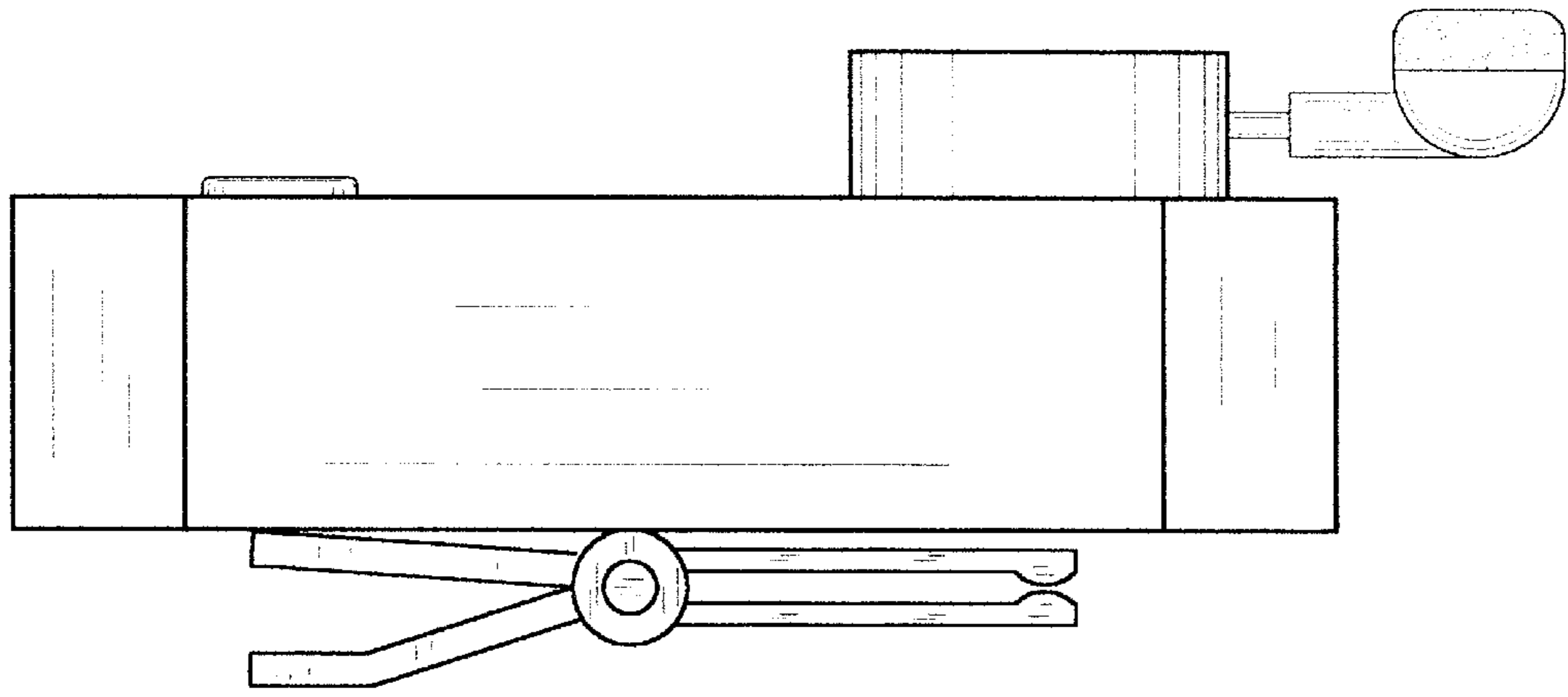


FIG. 4

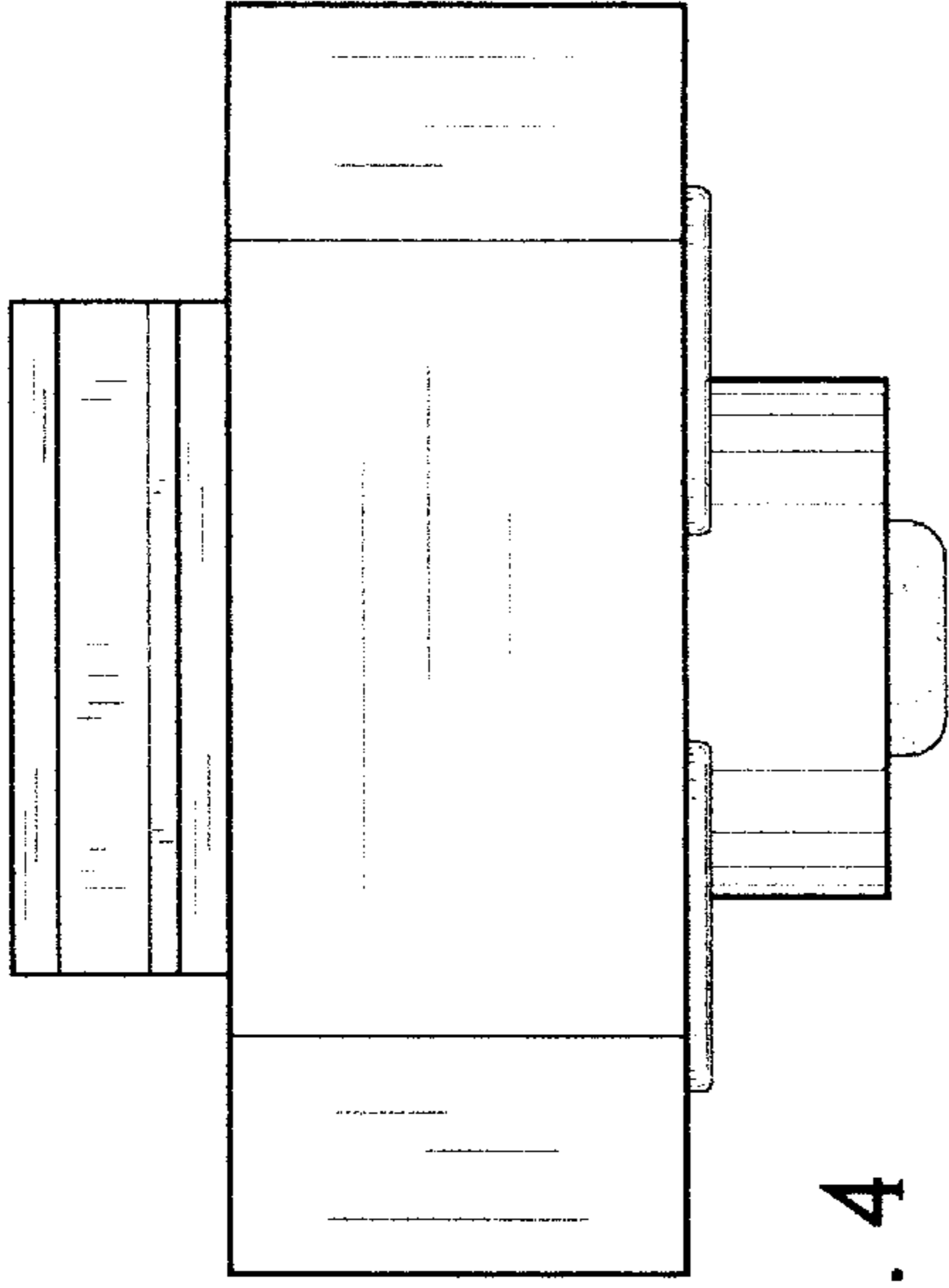


FIG. 5

