



US00D460950S

(12) **United States Design Patent**
Miller et al.

(10) **Patent No.:** **US D460,950 S**

(45) **Date of Patent:** **** Jul. 30, 2002**

(54) **REMOTE CONTROL FOR A LIGHT BAR OR SPOTLIGHT**

(75) Inventors: **Roger L. Miller**, Crestwood, KY (US);
Robert E. Kreutzer, Jr., Columbia, IL (US)

(73) Assignee: **Code 3, Inc.**, St. Louis, MO (US)

(**) Term: **14 Years**

(21) Appl. No.: **29/143,839**

(22) Filed: **Jun. 20, 2001**

(51) **LOC (7) Cl.** **13-03**

(52) **U.S. Cl.** **D13/168**

(58) **Field of Search** D13/168, 171;
D10/104, 106; D14/159, 188, 191, 218,
240; 70/256, 257; 348/734; 340/825.29,
825.36, 825.58, 825.69, 825.72; 455/151.1-151.4,
352

(56) **References Cited**

U.S. PATENT DOCUMENTS

D270,441 S	9/1983	Moldenhauer	
D307,739 S	5/1990	Grant	
D331,745 S	* 12/1992	Miyake et al.	D14/100
D343,164 S	* 1/1994	Miyazawa	D13/162
D346,152 S	4/1994	Zaugg	
D350,962 S	* 9/1994	Reardon et al.	D14/218
D351,591 S	10/1994	Chen	
D352,930 S	11/1994	Tsuji	
D352,931 S	11/1994	Tsuji	
D357,919 S	5/1995	Tsui	
D366,262 S	1/1996	Inaba	
D371,791 S	7/1996	Patton	
D373,318 S	9/1996	Berch et al.	
D375,696 S	11/1996	Seki et al.	
D375,748 S	11/1996	Hartman	
D375,909 S	11/1996	Dziersk et al.	
D381,417 S	7/1997	Simmons et al.	
D385,208 S	* 10/1997	Chui	D10/104
D387,352 S	* 12/1997	Kaneko et al.	D14/218
D390,195 S	2/1998	Chen	
D393,262 S	* 4/1998	Shimatsu et al.	D14/154
D393,832 S	4/1998	Chen	
D398,588 S	9/1998	Pinardi et al.	
D402,966 S	* 12/1998	Lim	D13/168
D409,577 S	5/1999	Doppelt et al.	

D413,579 S	9/1999	Mullet et al.	
D413,580 S	* 9/1999	Zuege	D13/168
D415,735 S	10/1999	Zuege	
D435,834 S	* 1/2001	Picozza et al.	D13/168
D436,104 S	* 1/2001	Bhatia et al.	D14/341

* cited by examiner

Primary Examiner—Ted Shooman
Assistant Examiner—Selina Sikder

(74) *Attorney, Agent, or Firm*—Senniger, Powers, Leavitt & Roedel

(57) **CLAIM**

The ornamental design for a remote control for a light bar or spotlight, as shown and described.

DESCRIPTION

FIG. 1 is a front elevational view of one preferred embodiment of a remote control for a light bar or spotlight incorporating our new design, illustrating the control cables in phantom;

FIG. 2 is a rear elevation view of the FIG. 1 embodiment;

FIG. 3 is a top plan view of the FIG. 1 embodiment;

FIG. 4 is a bottom plan view of the FIG. 1 embodiment;

FIG. 5 is a left side elevational view of the FIG. 1 embodiment;

FIG. 6 is a right side elevational view of the FIG. 1 embodiment; and

FIG. 7 is a front, top and left side perspective view of the FIG. 1 embodiment.

FIG. 8 is a front elevational view of another preferred embodiment of a remote control for a light bar or spotlight incorporating our new design;

FIG. 9 is a rear elevation view of the FIG. 8 embodiment;

FIG. 10 is a top plan view of the FIG. 8 embodiment;

FIG. 11 is a bottom plan view of the FIG. 8 embodiment;

FIG. 12 is a left side elevational view of the FIG. 8 embodiment;

FIG. 13 is a right side elevational view of the FIG. 8 embodiment; and,

FIG. 14 is a front, top and right side perspective view of the FIG. 8 embodiment.

The broken lines in the drawing are for illustrative purposes only and form no part of the claimed design.

1 Claim, 12 Drawing Sheets

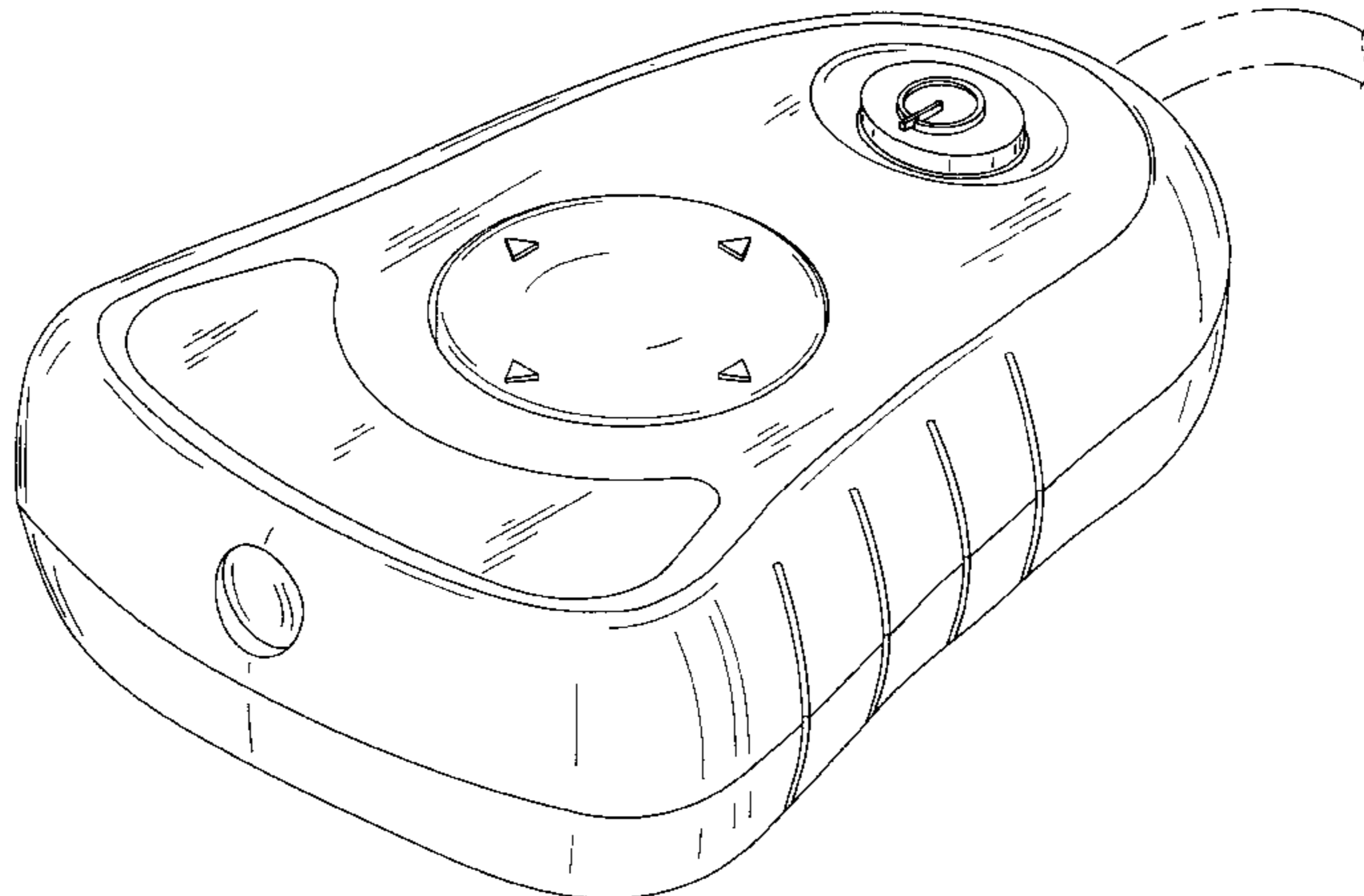


FIG. 1

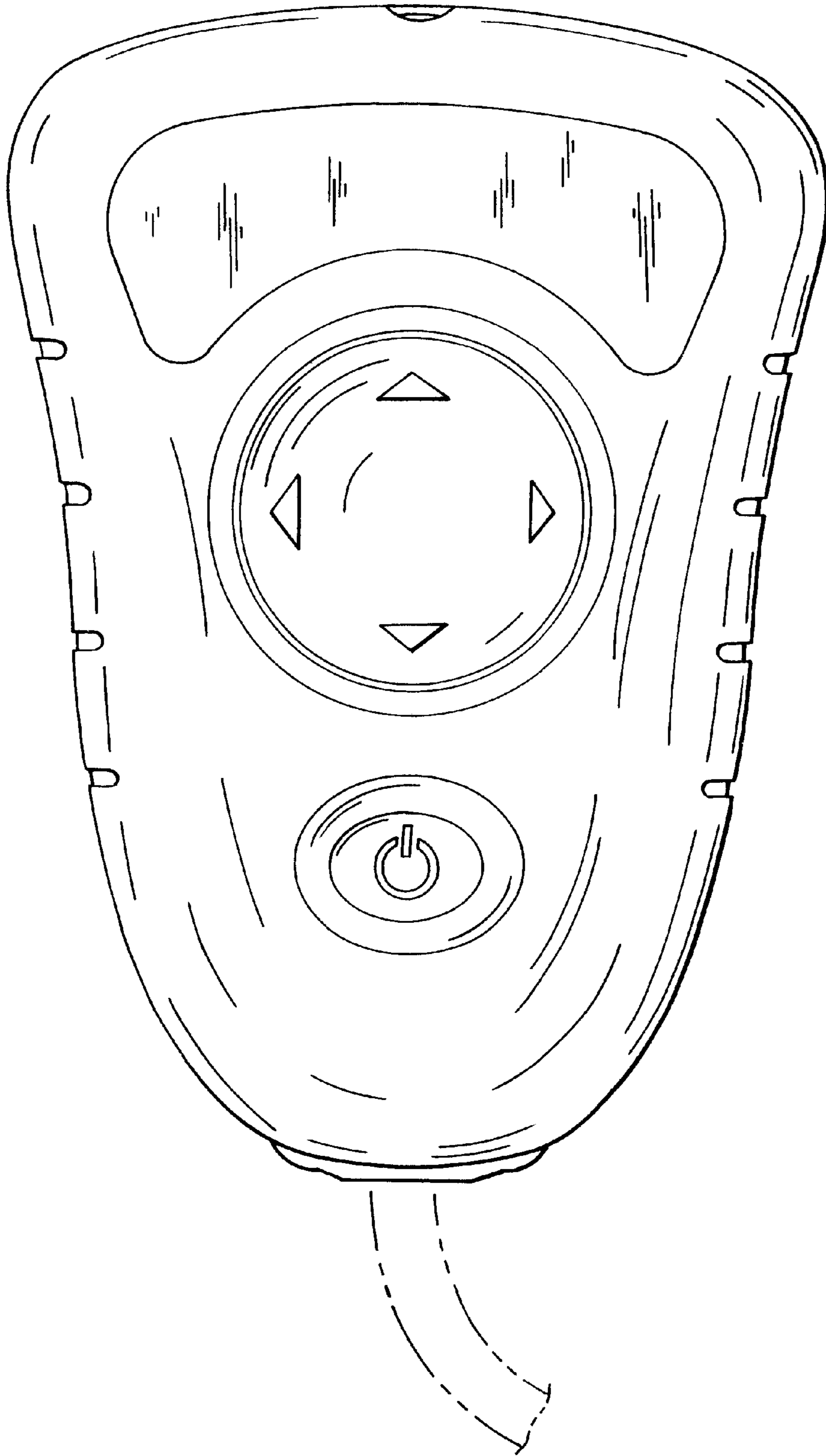


FIG. 2

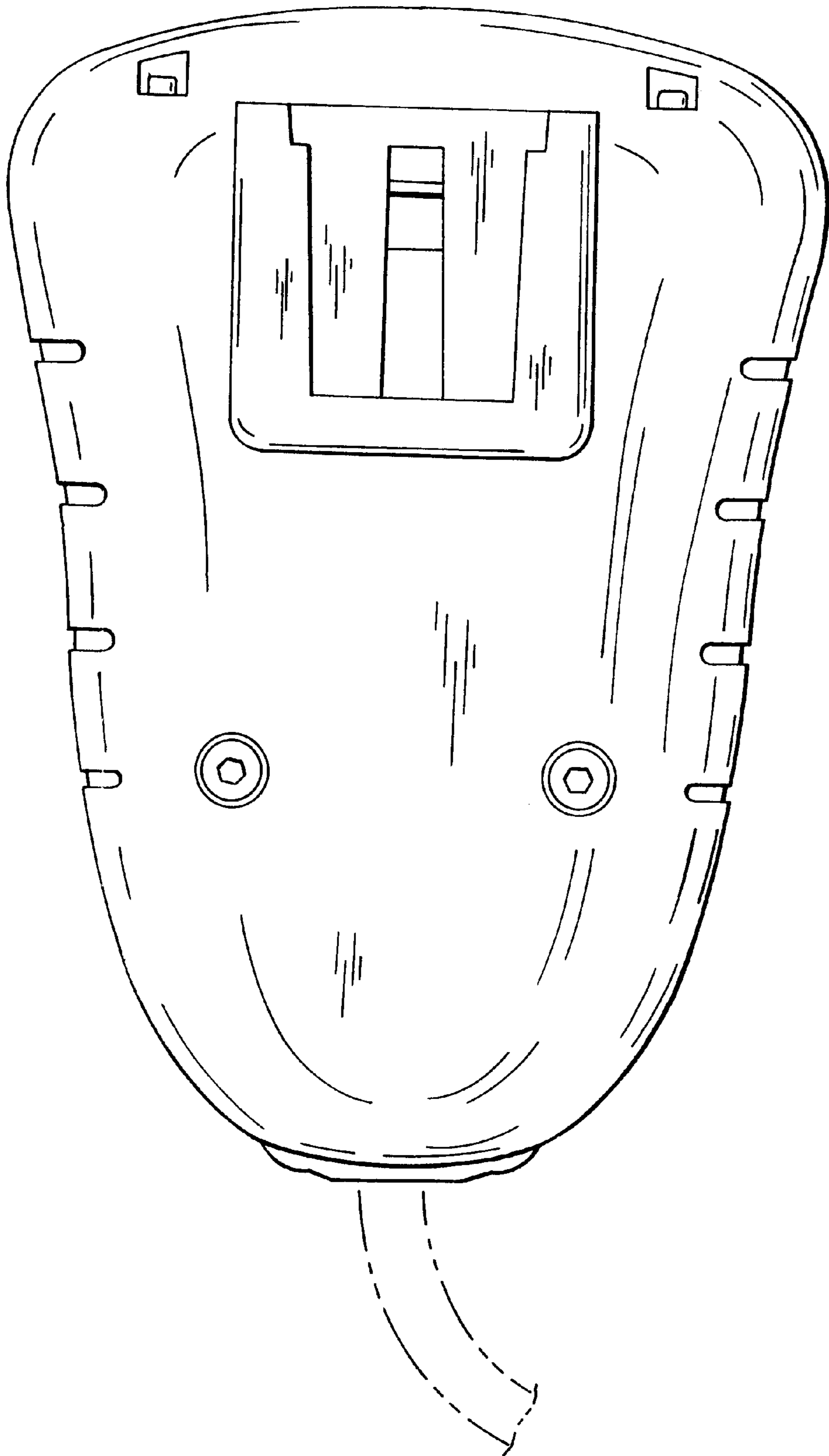


FIG. 3

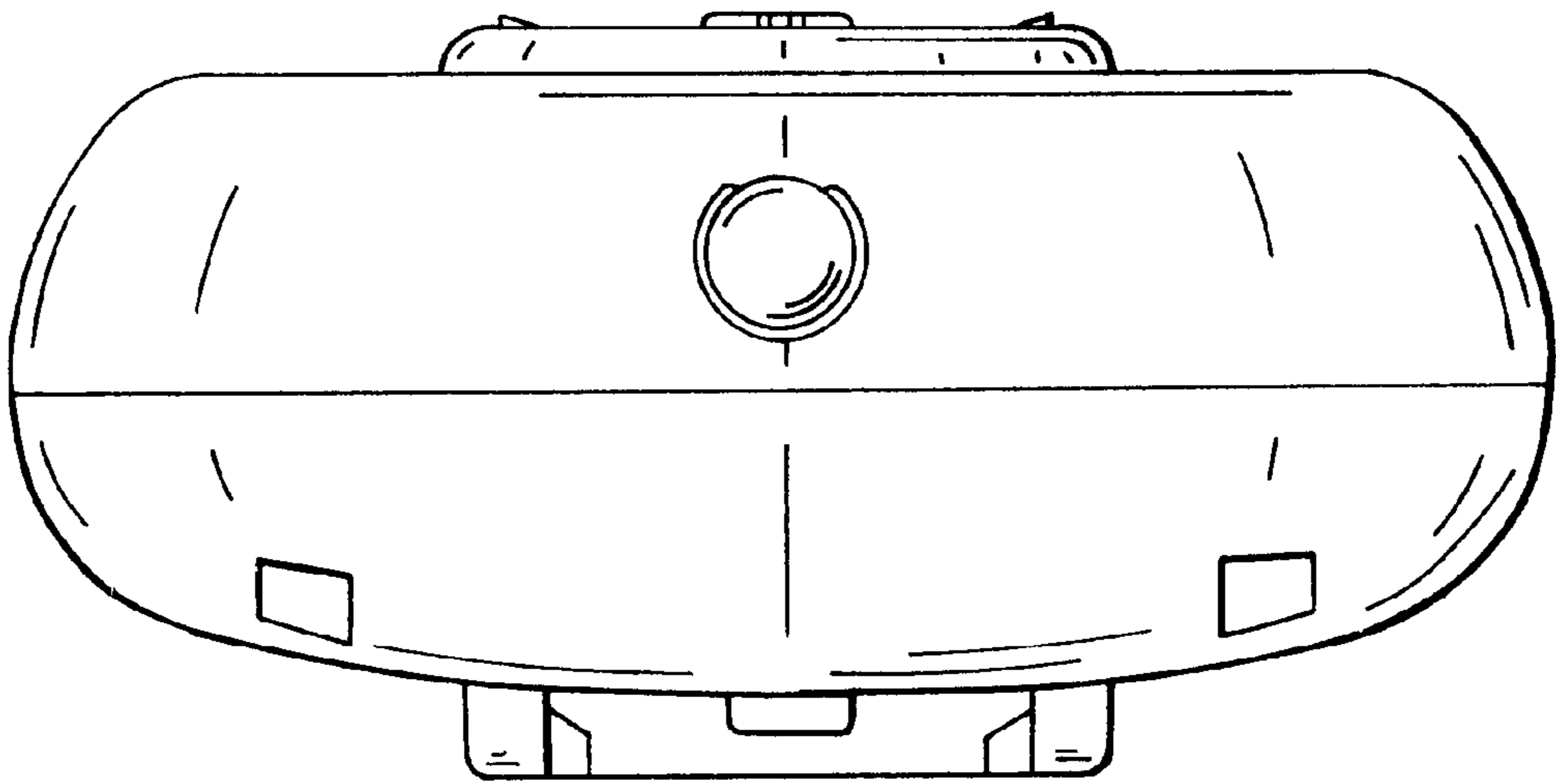


FIG. 4

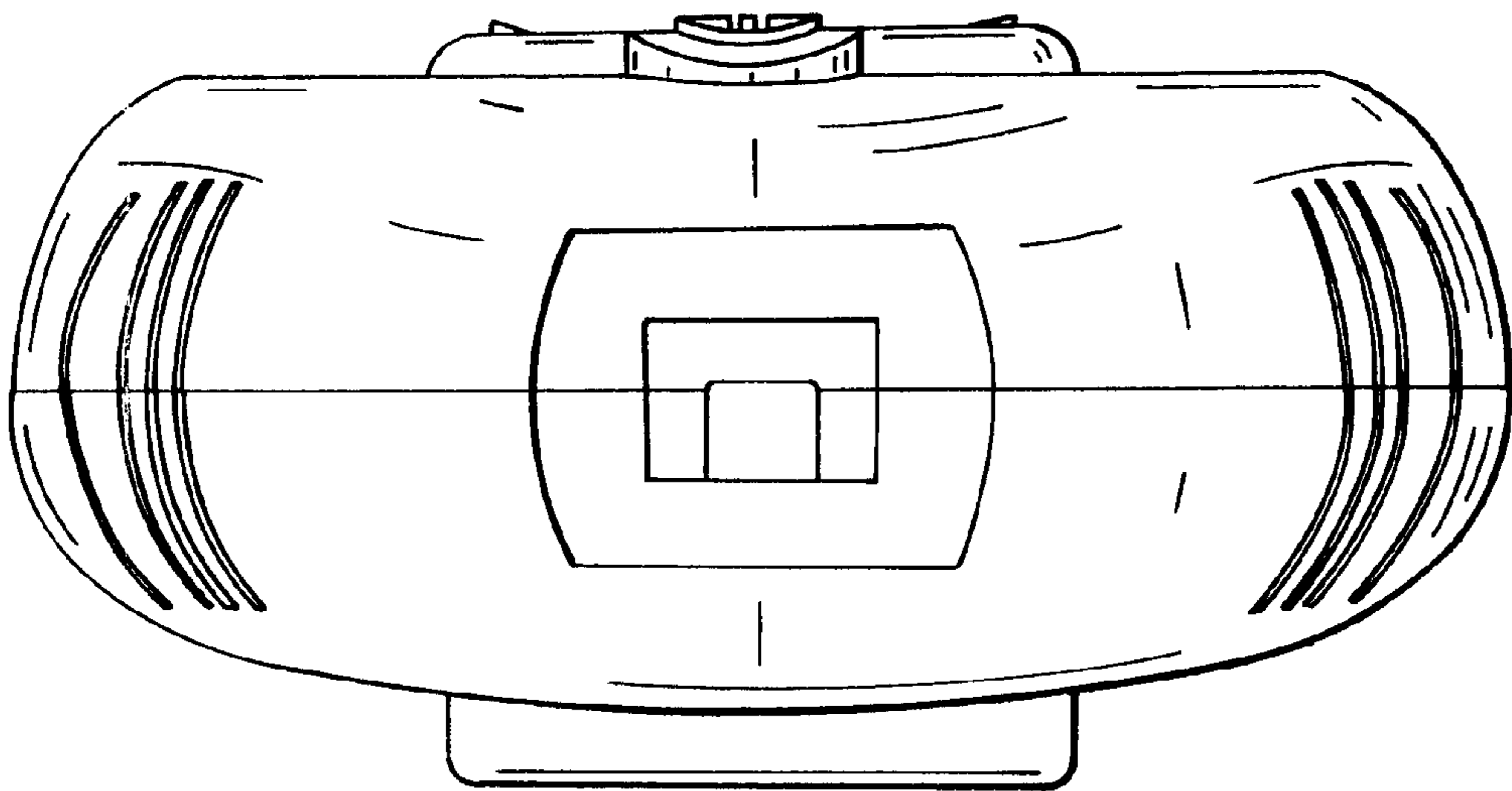


FIG. 5

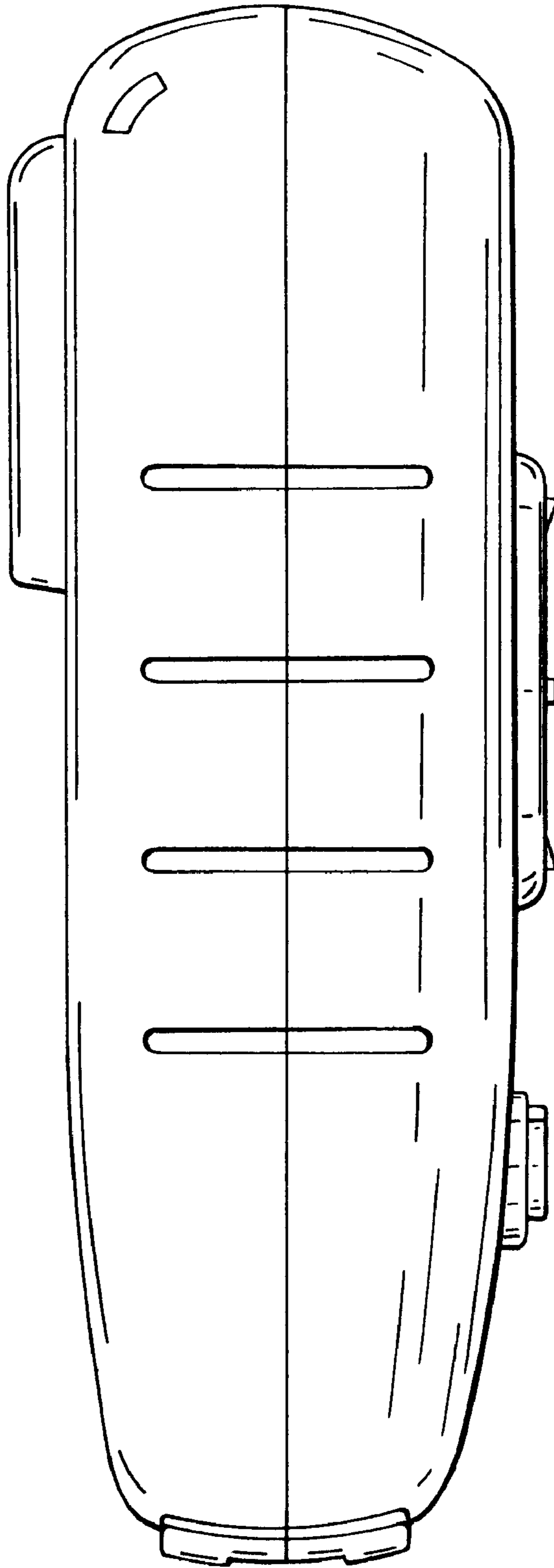
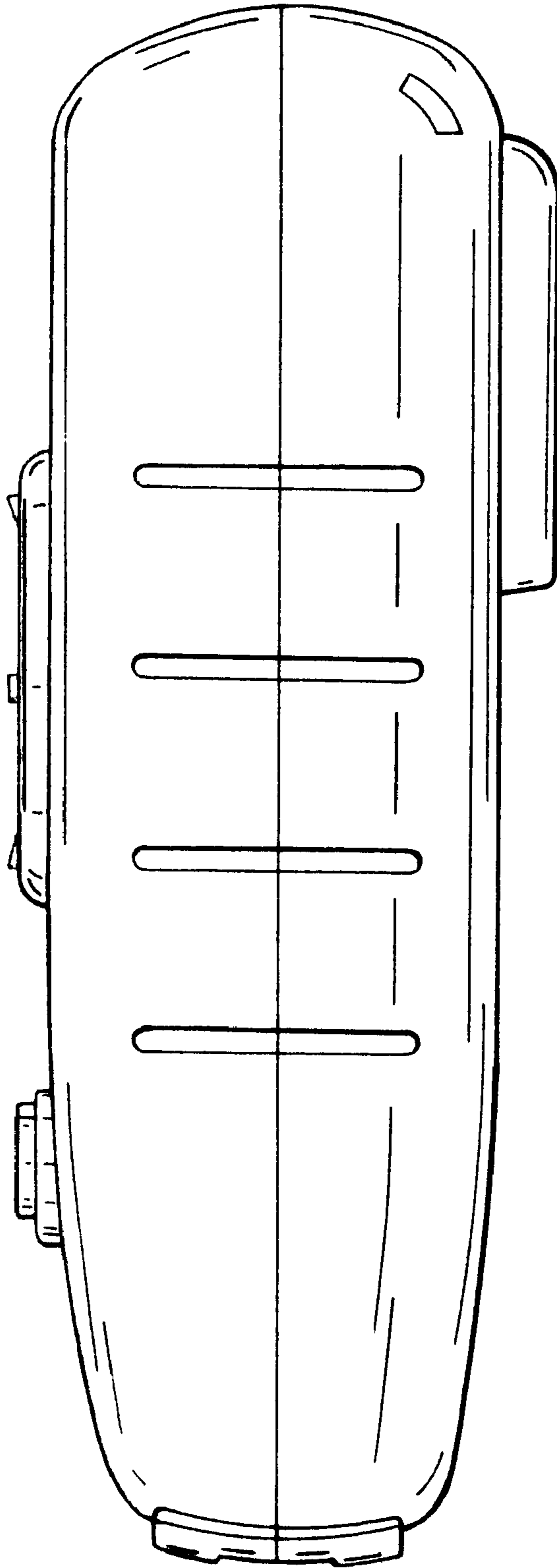


FIG. 6



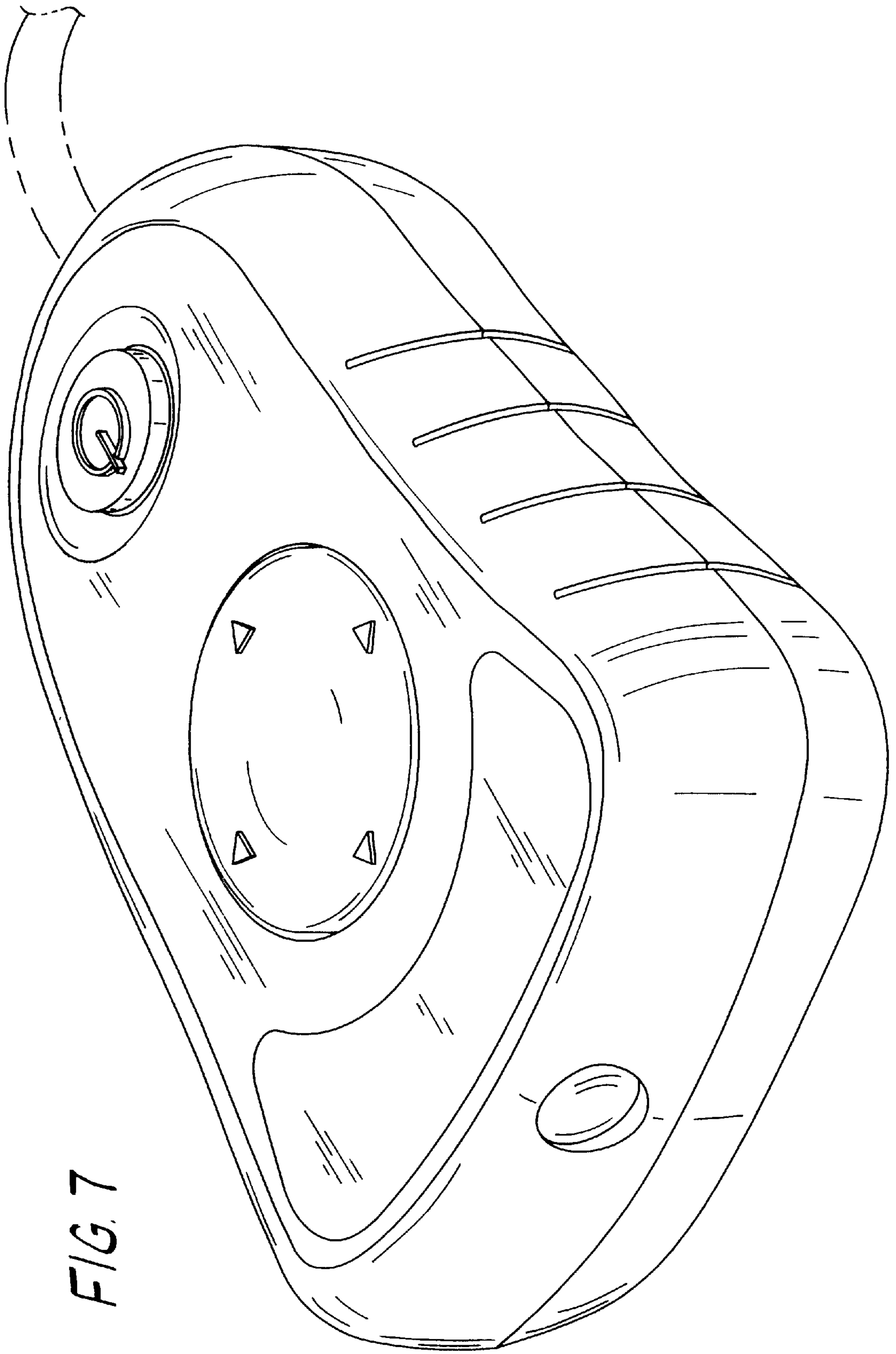


FIG. 7

FIG. 8

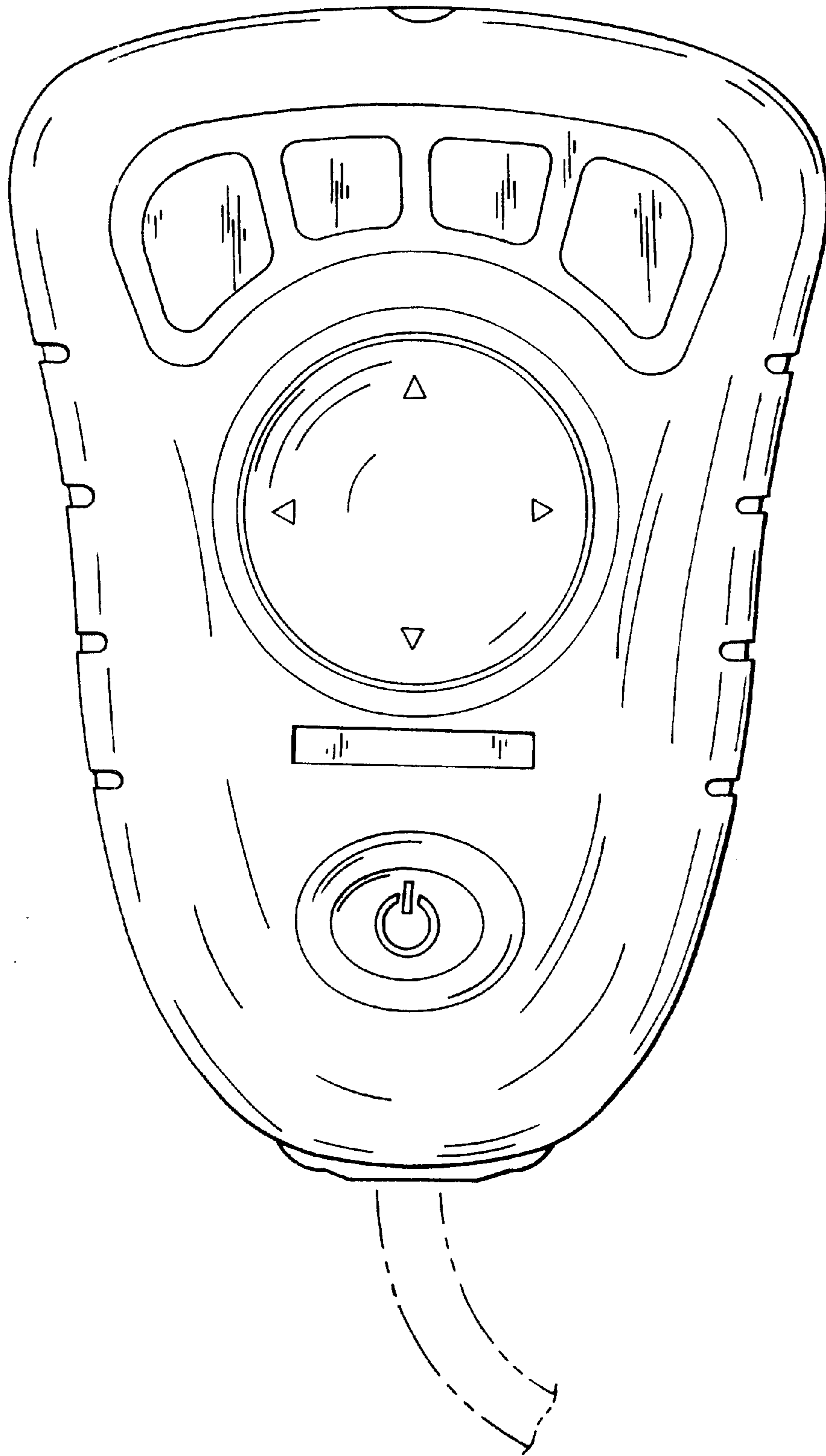


FIG. 9

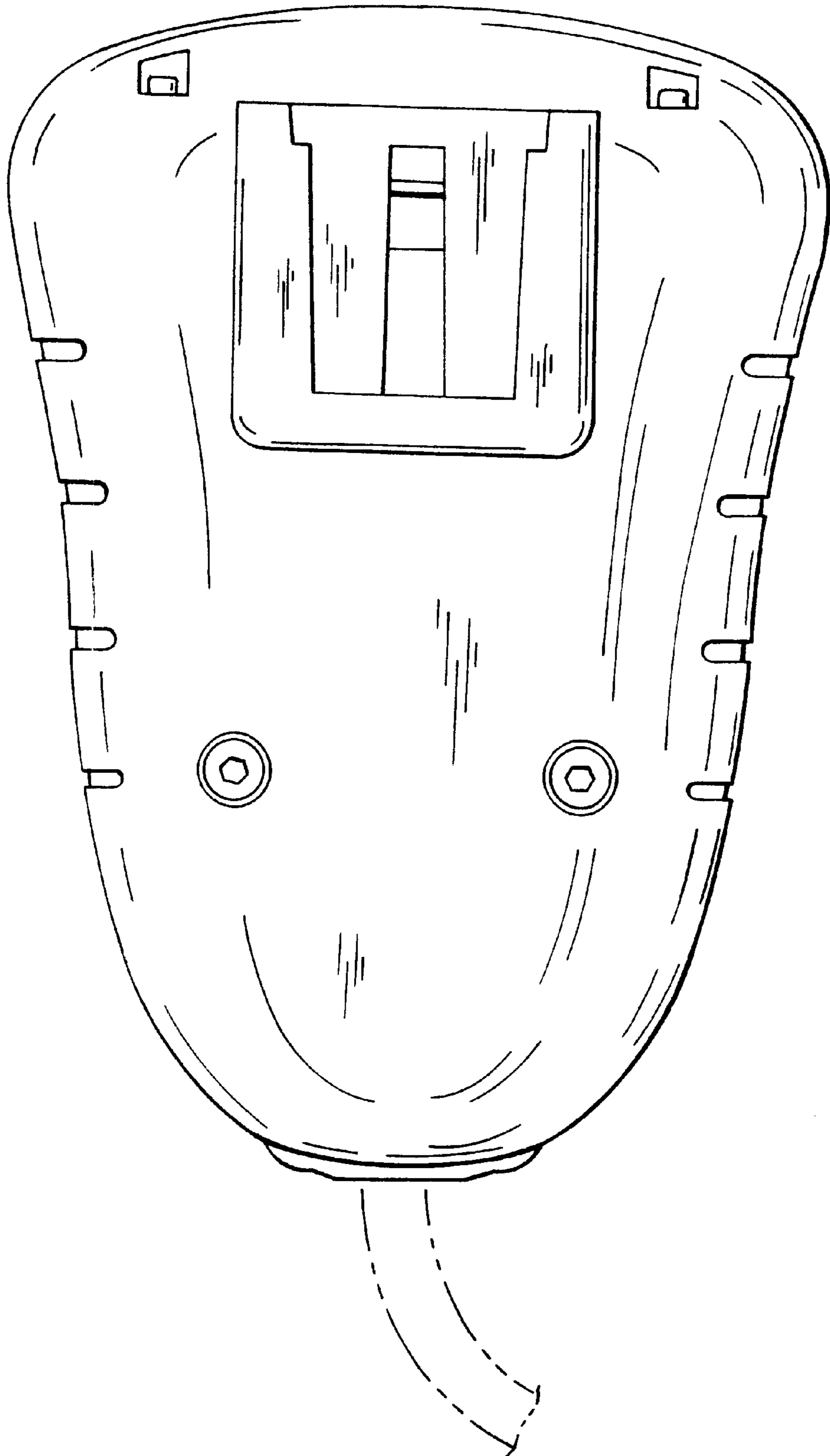


FIG. 10

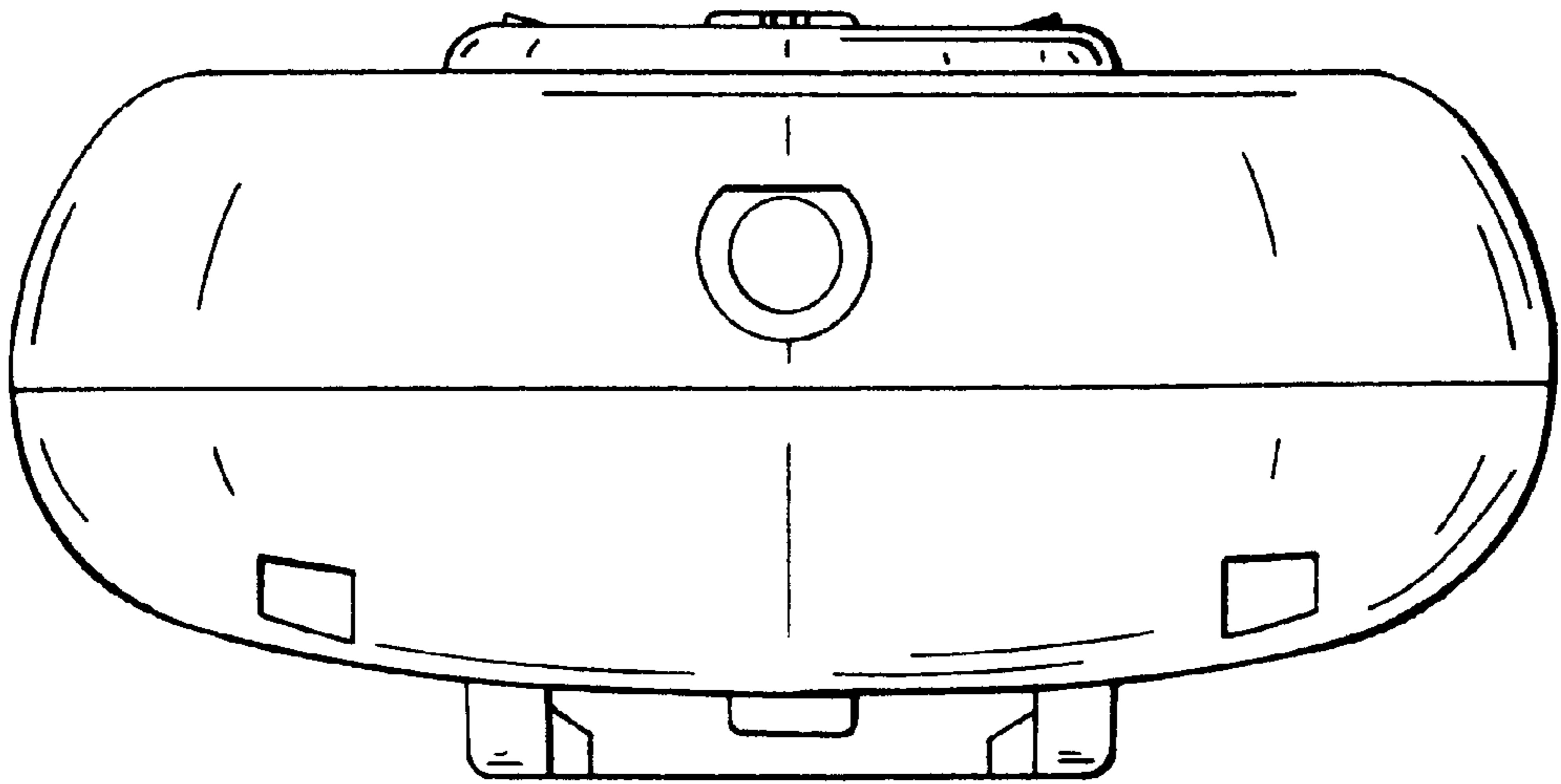


FIG. 11

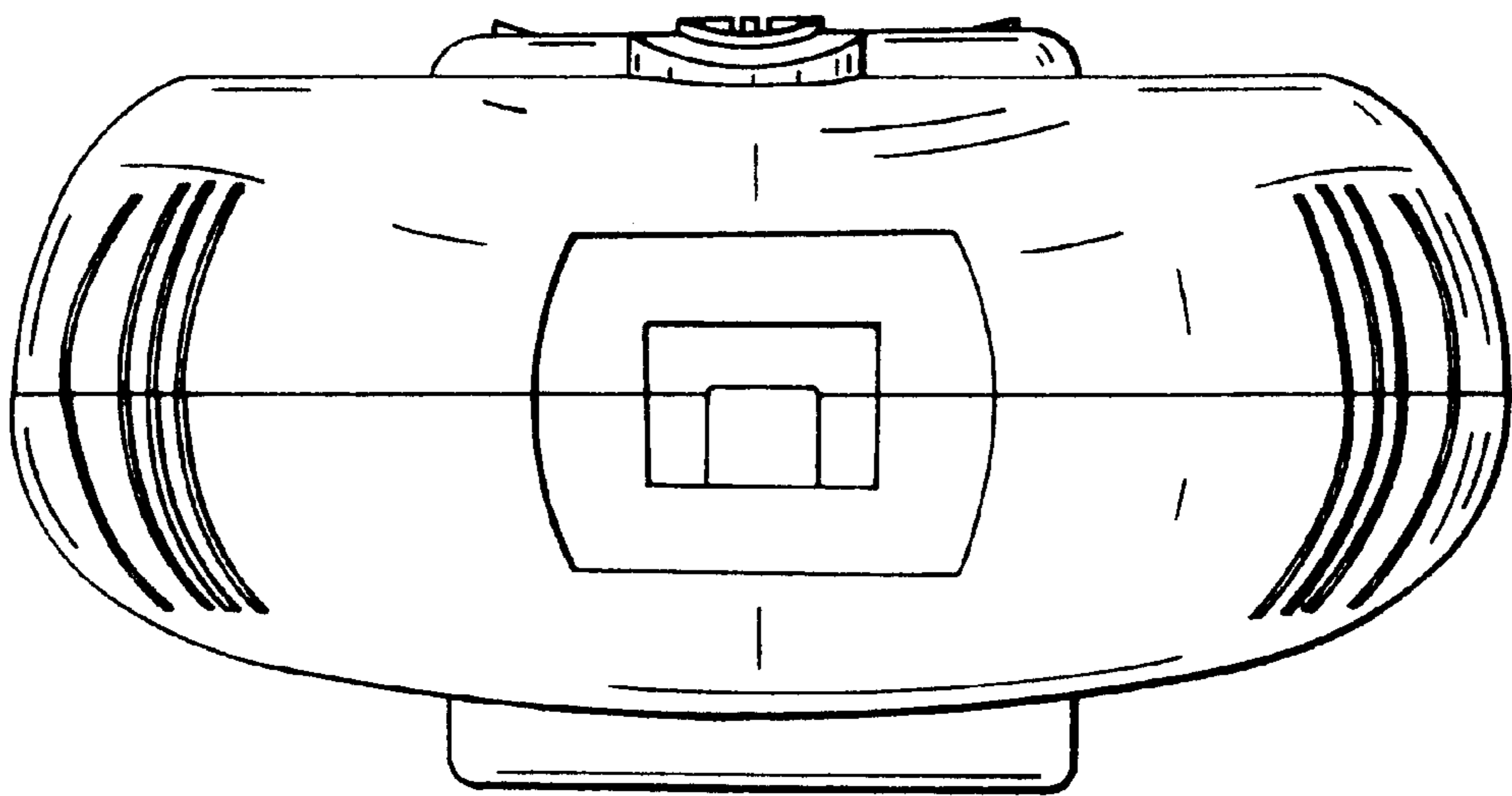


FIG. 12

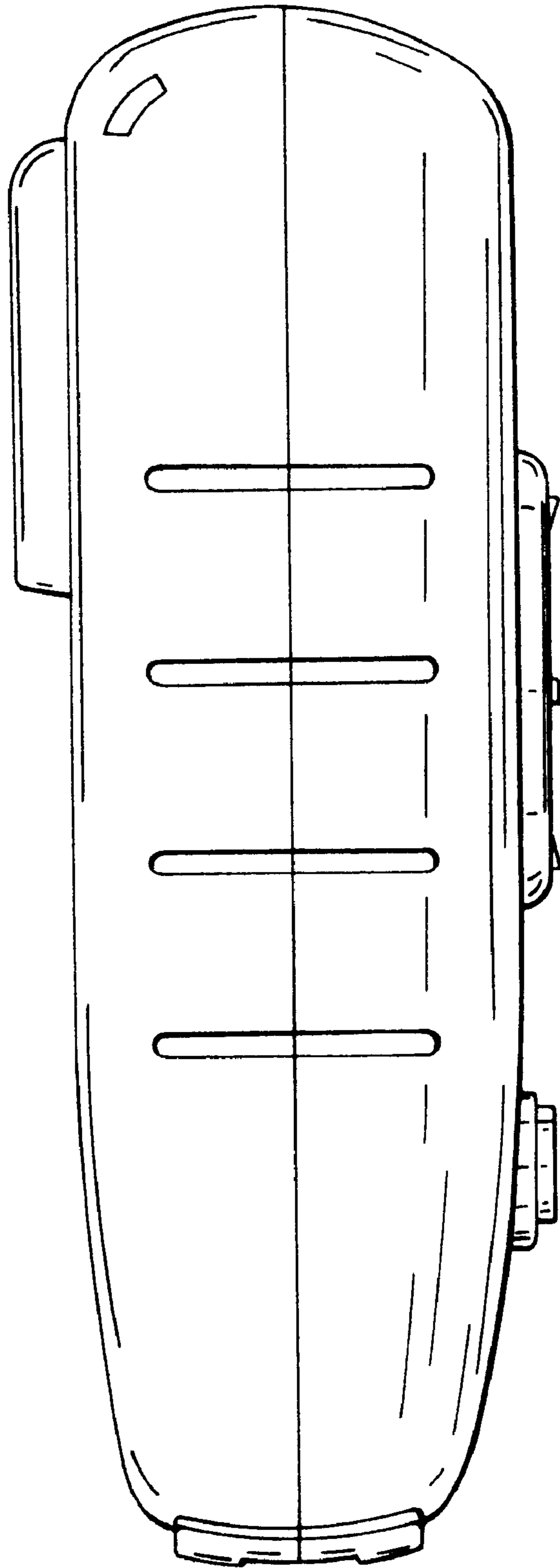
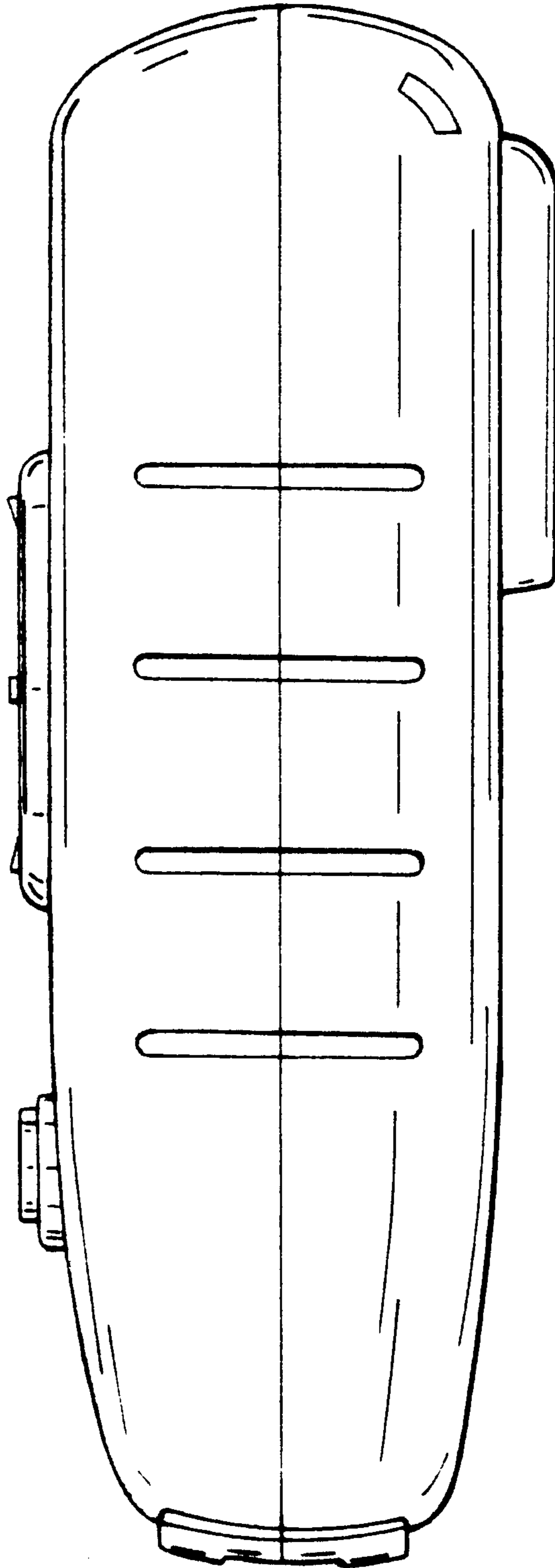


FIG. 13



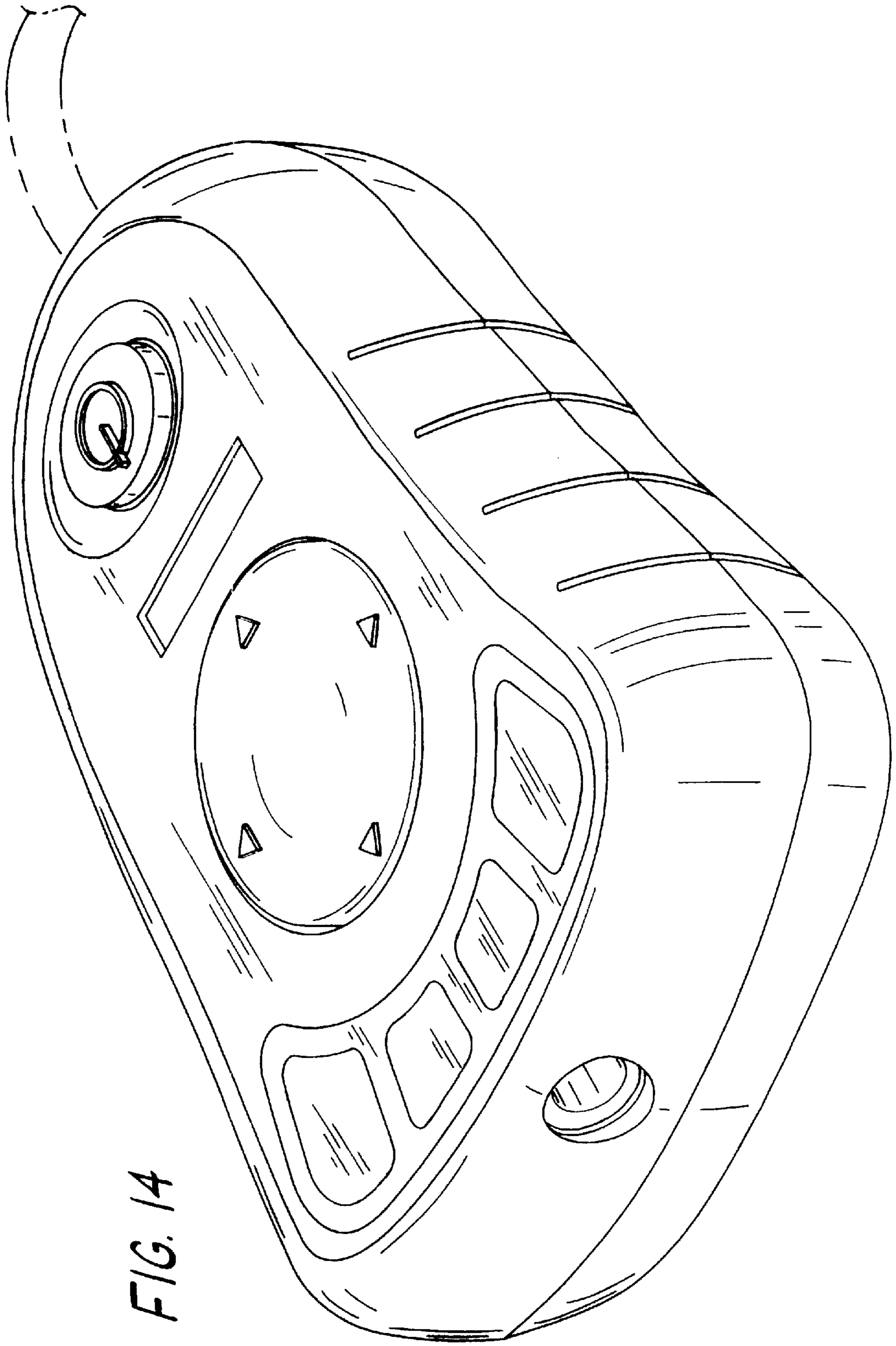


FIG. 14