



US00D460949S

(12) **United States Design Patent**  
**Iby et al.**

(10) **Patent No.:** **US D460,949 S**

(45) **Date of Patent:** **\*\* Jul. 30, 2002**

(54) **FUSE HOLDER DEVICE**

(75) Inventors: **Lewis C. Iby**, Woodland Hills; **Joseph K. Garretson**, Simi Valley, both of CA (US)

(73) Assignee: **Scosche Industries, Inc.**, Oxnard, CA (US)

(\*\*) Term: **14 Years**

(21) Appl. No.: **29/141,848**

(22) Filed: **May 15, 2001**

(51) **LOC (7) Cl.** ..... **13-03**

(52) **U.S. Cl.** ..... **D13/161**

(58) **Field of Search** ..... D13/160, 161, D13/178; 337/33, 34, 35, 60, 198; 307/10.1, 10.8; 200/208, 293, 303; 361/600, 622, 626, 642, 646, 833, 834; 439/170, 172, 366, 620, 621, 622, 687, 541.5, 540.1

(56) **References Cited**

**U.S. PATENT DOCUMENTS**

3,908,109	A	*	9/1975	Studebaker	.....	200/275
4,267,543	A	*	5/1981	Arikawa	.....	337/255
D298,123	S	*	10/1988	Beard	.....	D13/161
D317,439	S	*	6/1991	Kao	.....	D13/160
5,167,541	A		12/1992	Alyes et al.		

D364,848	S	*	12/1995	Miyanishi	.....	D13/161
5,596,233	A	*	1/1997	Leiber et al.	.....	1/73
5,623,169	A	*	4/1997	Sugimoto et al.	.....	307/10.1
D394,843	S	*	6/1998	Ohta et al.	.....	D13/178
D407,693	S	*	4/1999	Rowton et al.	.....	D13/161
5,892,295	A	*	4/1999	Ohtsuka et al.	.....	307/10.1

\* cited by examiner

*Primary Examiner*—Ted Shooman

*Assistant Examiner*—Selina Sikder

(74) *Attorney, Agent, or Firm*—William W. Haefliger

(57) **CLAIM**

The ornamental design for a fuse holder device, substantially as shown and described.

**DESCRIPTION**

FIG. 1 is a front, top and left side view of the preferred fuse holder device design;  
 FIG. 2 is a top view of the FIG. 1 fuse holder device;  
 FIG. 3 is a left side elevation view of the FIG. 1 fuse holder device, the right side being the same;  
 FIG. 4 is a front elevation view of the FIG. 1 fuse holder device;  
 FIG. 5 is a rear elevation view of the FIG. 1 fuse holder device; and,  
 FIG. 6 is a bottom plan view of the FIG. 1 fuse holder device.

**1 Claim, 2 Drawing Sheets**

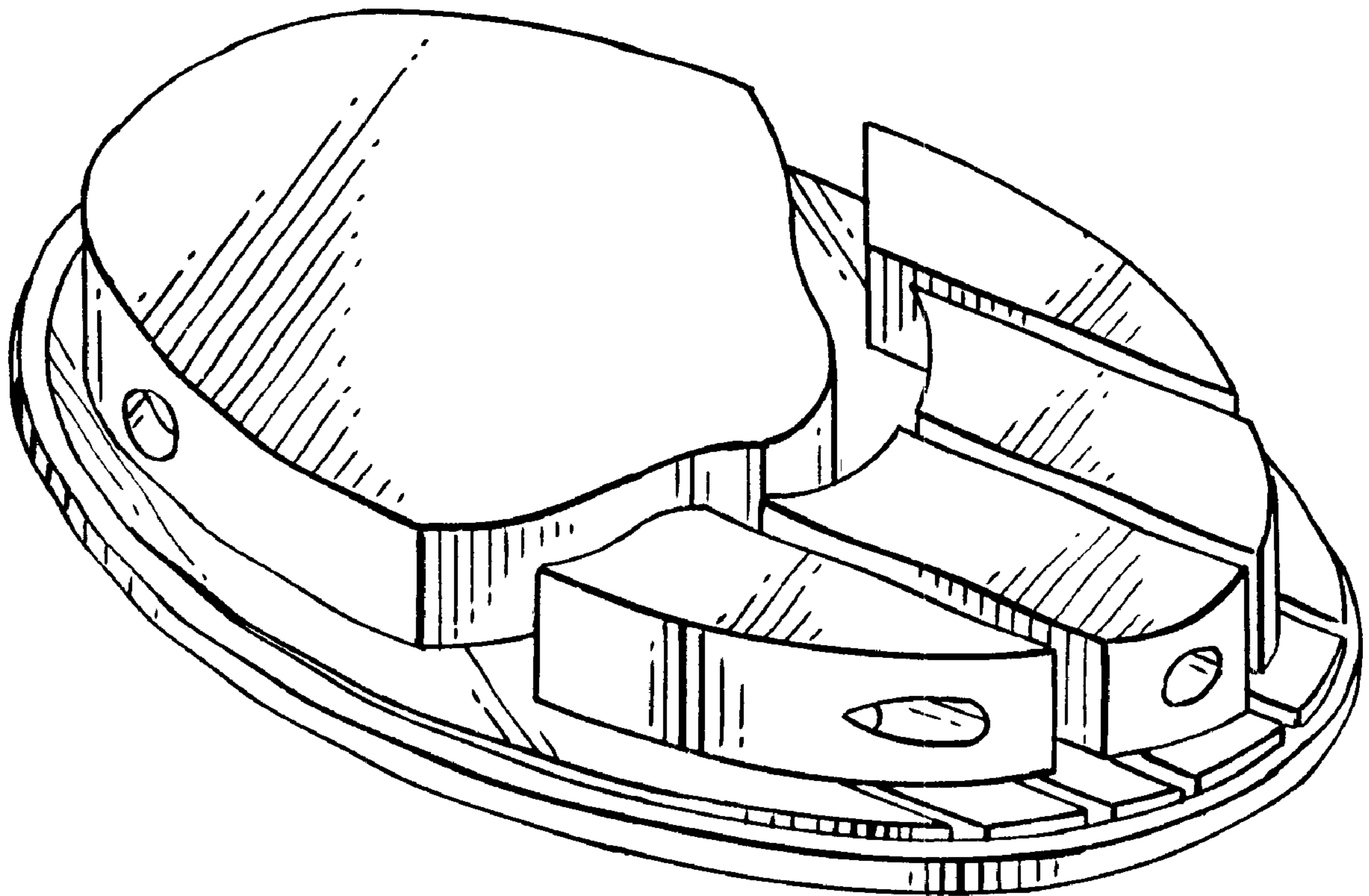


FIG. 1.

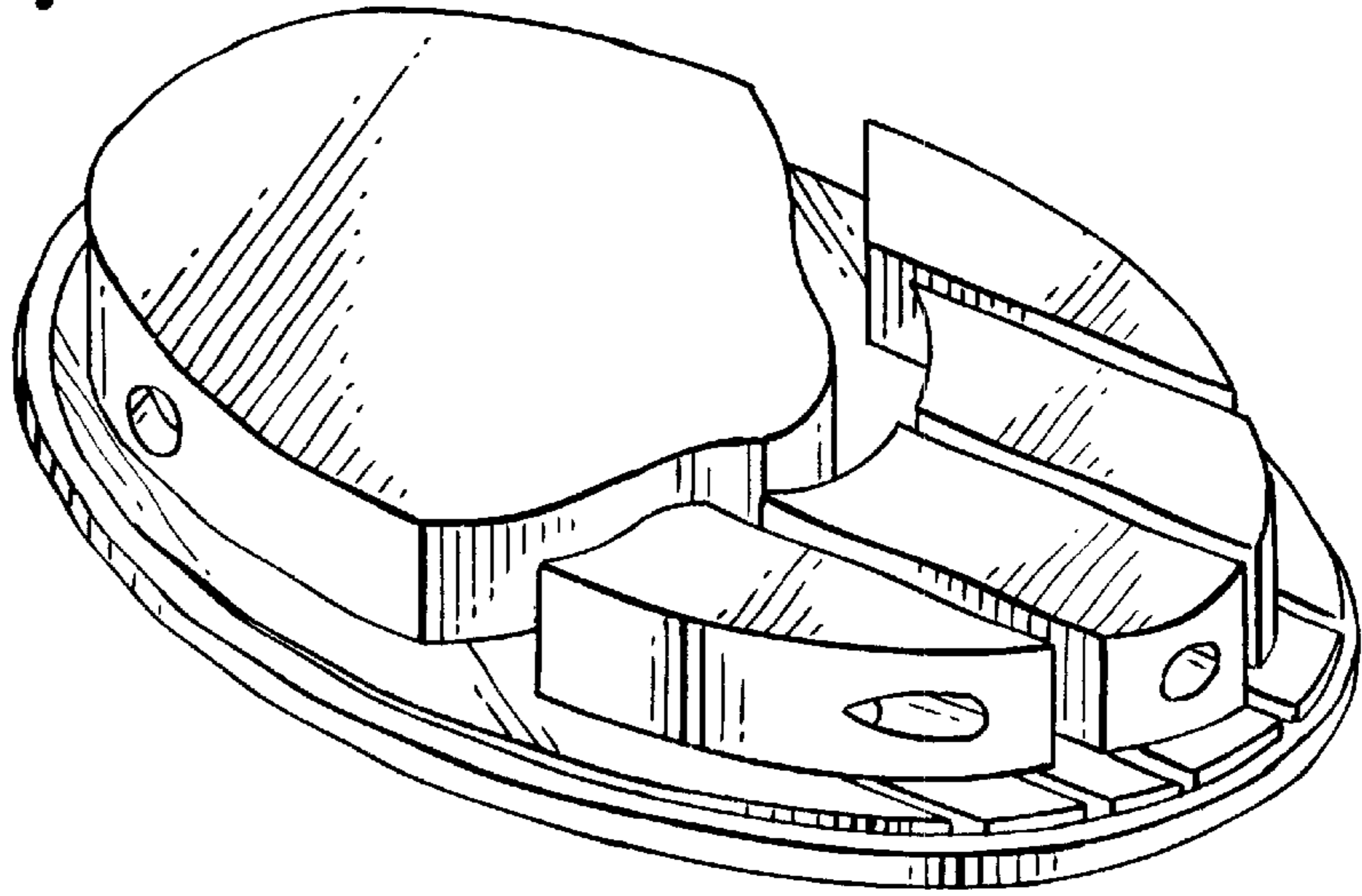


FIG. 2.

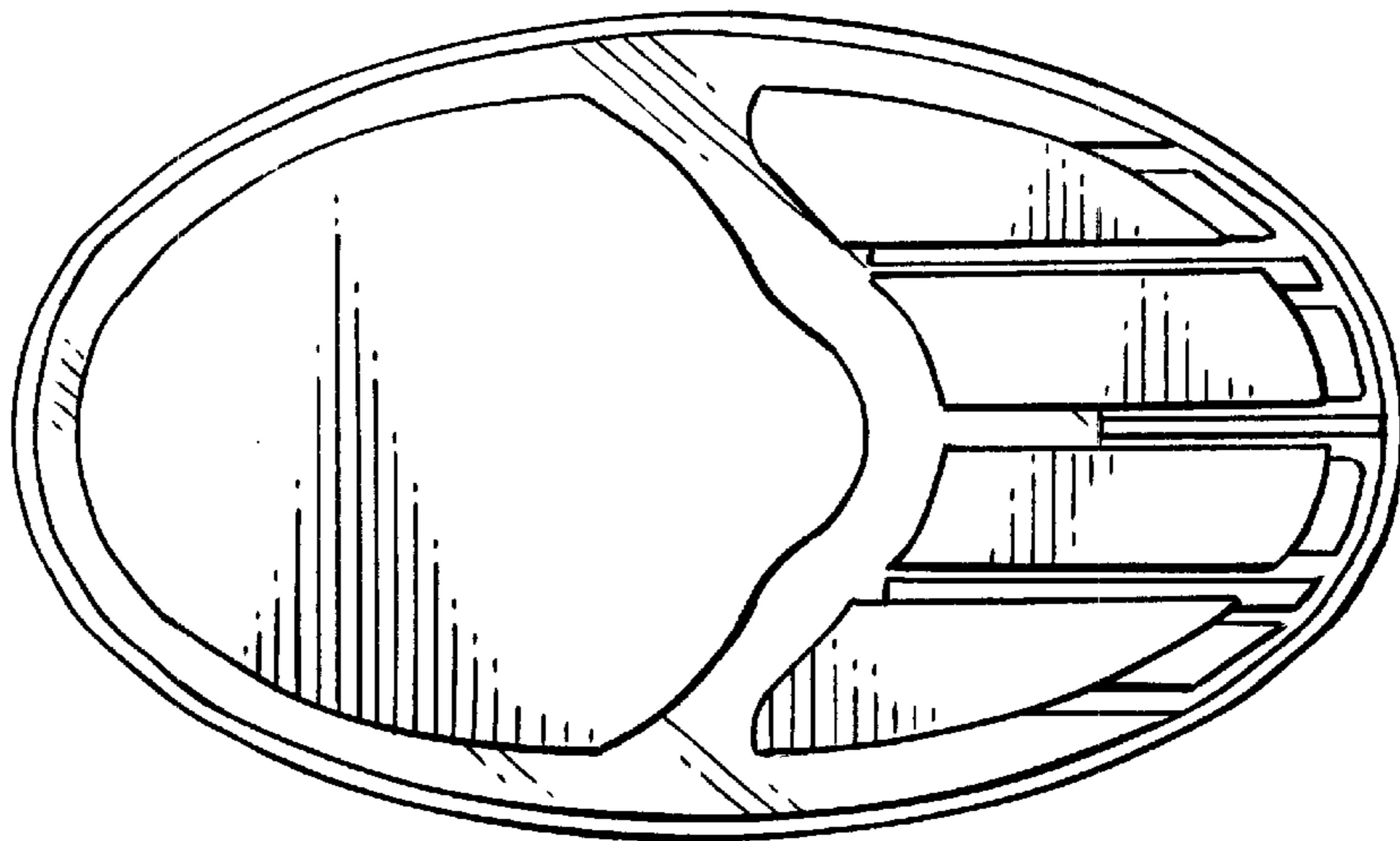


FIG. 3.

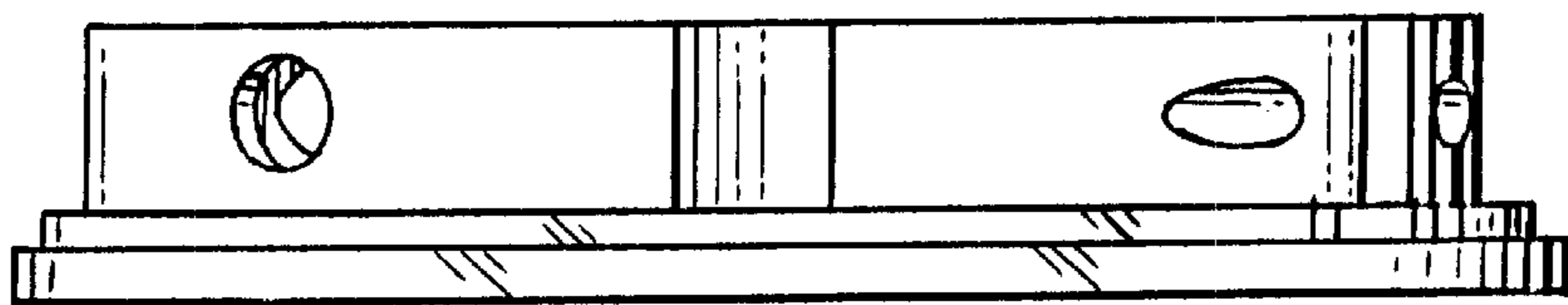


FIG. 4.

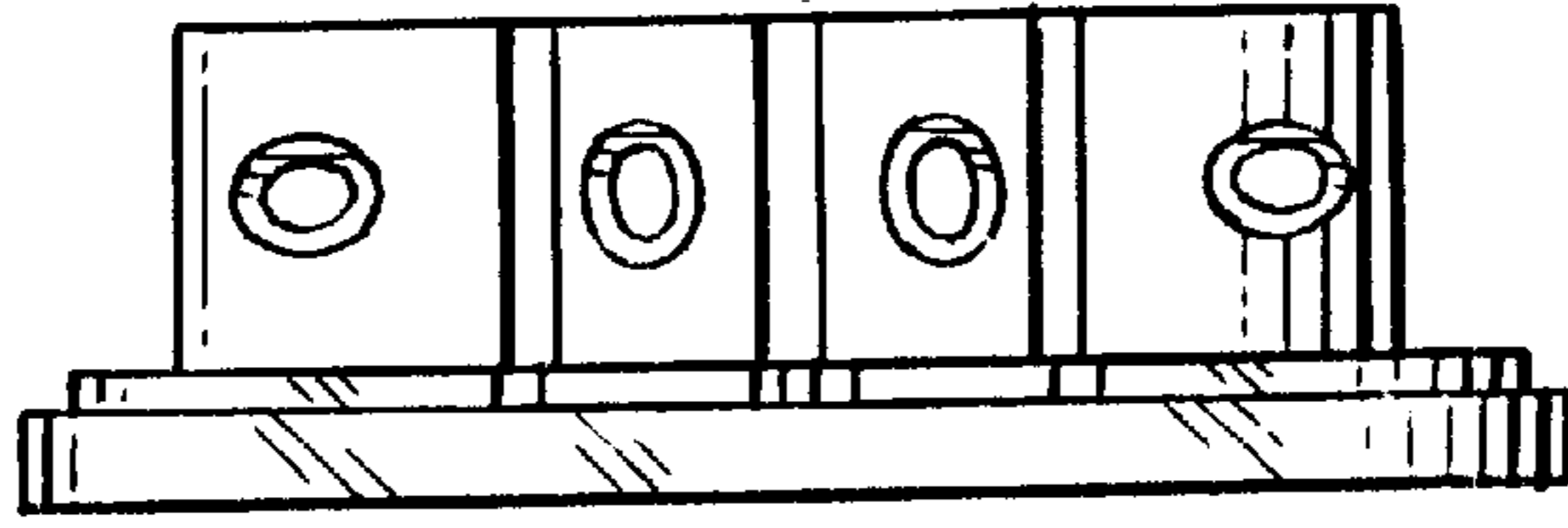


FIG. 5.

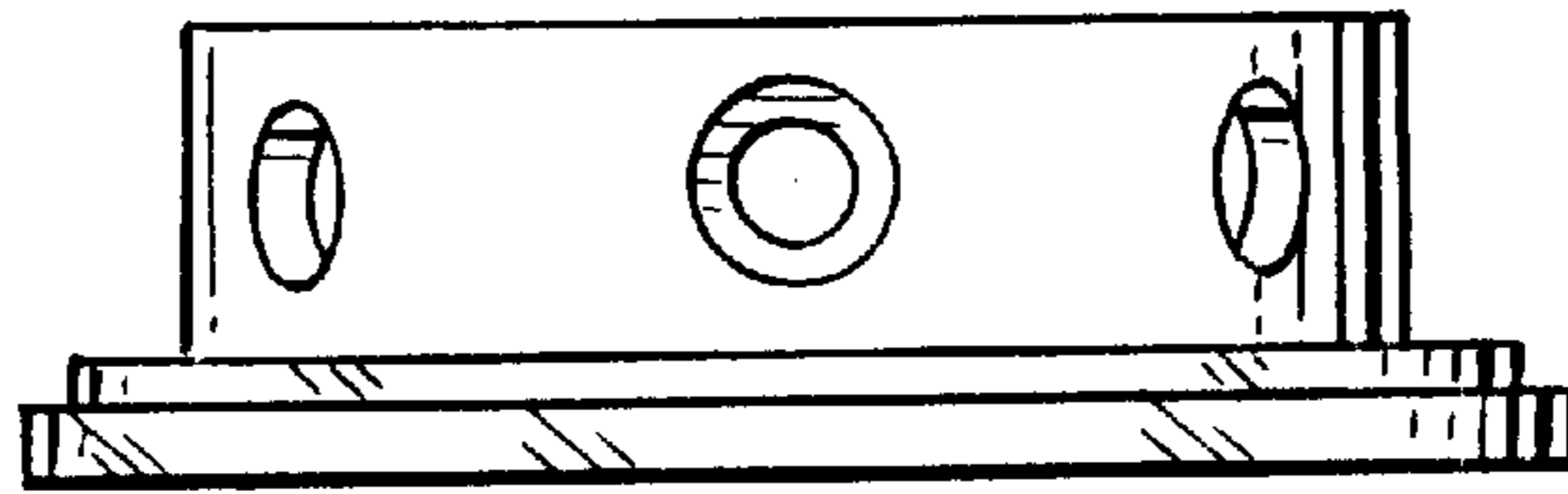


FIG. 6.

