



US00D460947S

(12) **United States Design Patent**
Montena

(10) **Patent No.:** **US D460,947 S**

(45) **Date of Patent:** **** Jul. 30, 2002**

(54) **SLEEVE FOR CO-AXIAL CABLE CONNECTOR**

3,539,969 A * 11/1970 Johnson et al. 439/231
5,662,488 A * 9/1997 Alden 439/314
D412,885 S * 8/1999 Toly D13/154

(75) Inventor: **Noah Montena**, Syracuse, NY (US)

* cited by examiner

(73) Assignee: **John Mezzalingua Associates, Inc.**,
East Syracuse, NY (US)

Primary Examiner—Robert M. Spear
(74) *Attorney, Agent, or Firm*—George R. McGuire;
Hancock & Estabrook, LLP

(**) Term: **14 Years**

(57) **CLAIM**

(21) Appl. No.: **29/151,966**

The ornamental design for a sleeve for co-axial cable connector, as shown and described.

(22) Filed: **Dec. 13, 2001**

(51) **LOC (7) Cl.** **13-03**

DESCRIPTION

(52) **U.S. Cl.** **D13/154**

FIG. 1 is a perspective view of a sleeve for co-axial cable connector showing my new design;

(58) **Field of Search** D13/133, 149,
D13/151, 154; 439/578, 583, 584, 585

FIG. 2 is a side elevational view thereof, the other sides, top, plan and bottom plan views being mirror images;

(56) **References Cited**

FIG. 3 is a first end view thereof; and,

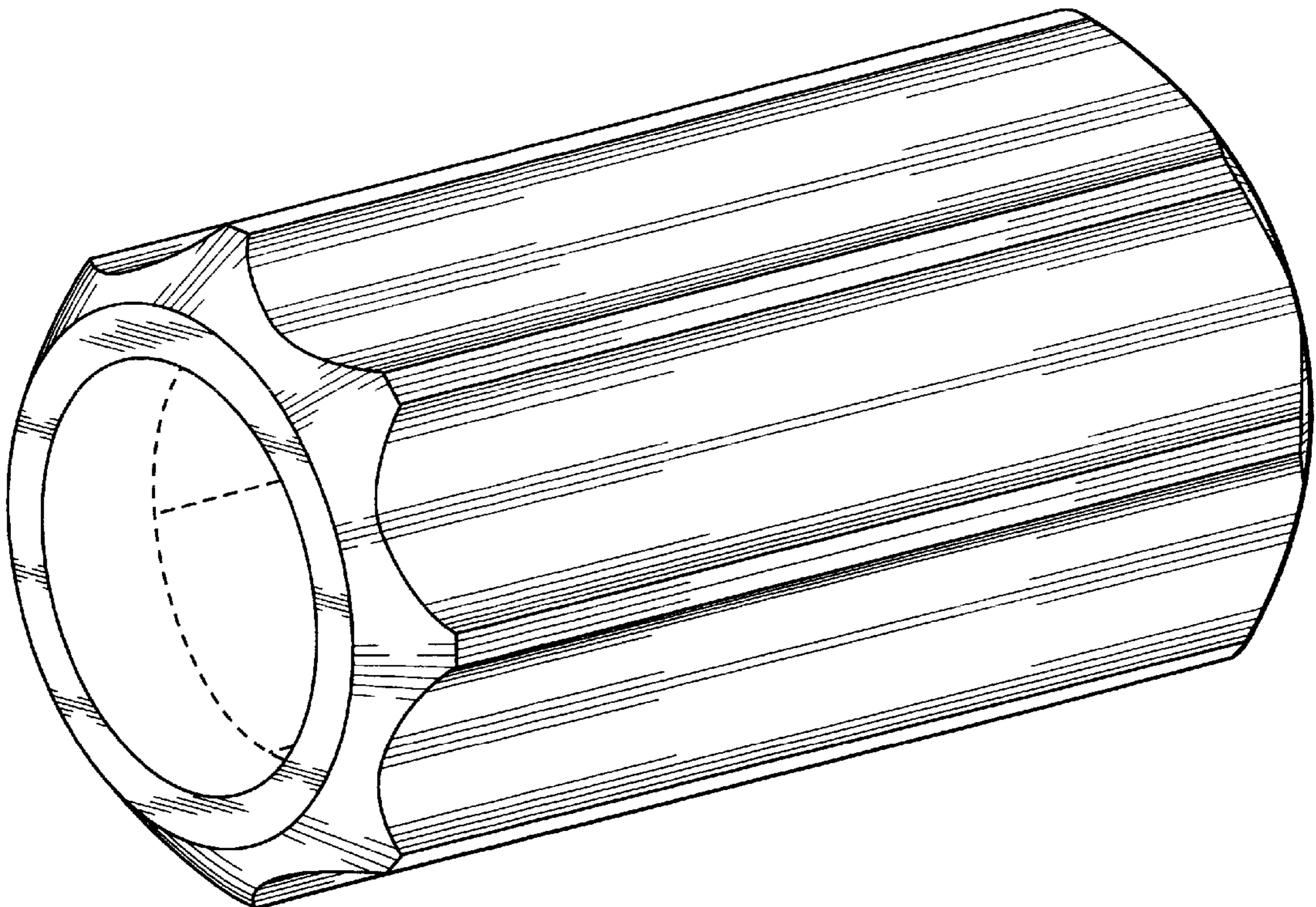
U.S. PATENT DOCUMENTS

FIG. 4 is an opposite end view thereof.

- D42,947 S * 8/1912 Ningesser D13/199
- D111,981 S * 11/1938 Koger D13/153
- D178,554 S * 8/1956 Stone D13/199
- D204,674 S * 5/1966 Trimble D13/133

The broken lines depict environmental structure and form no part of the claimed design.

1 Claim, 3 Drawing Sheets



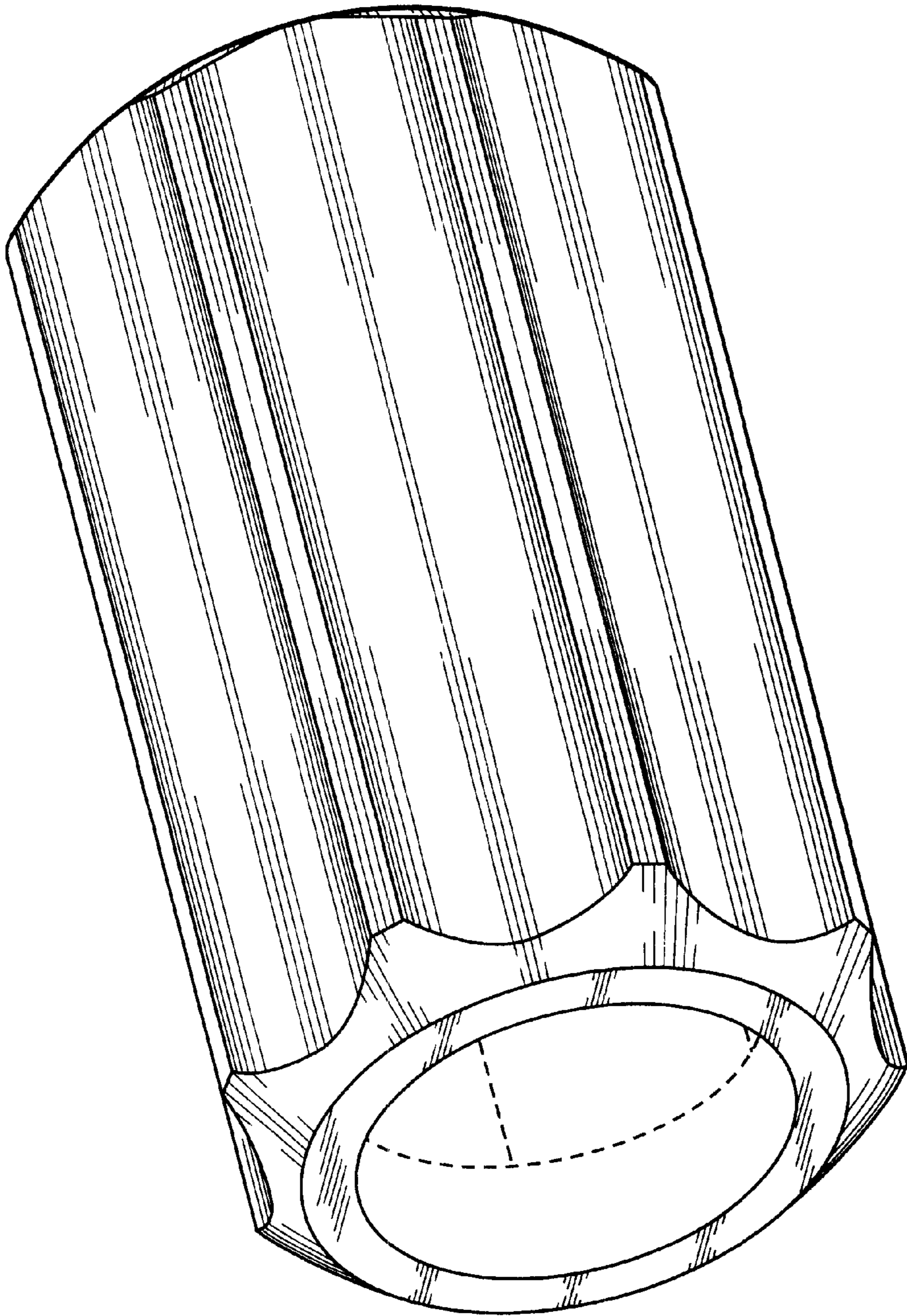


FIG. 1

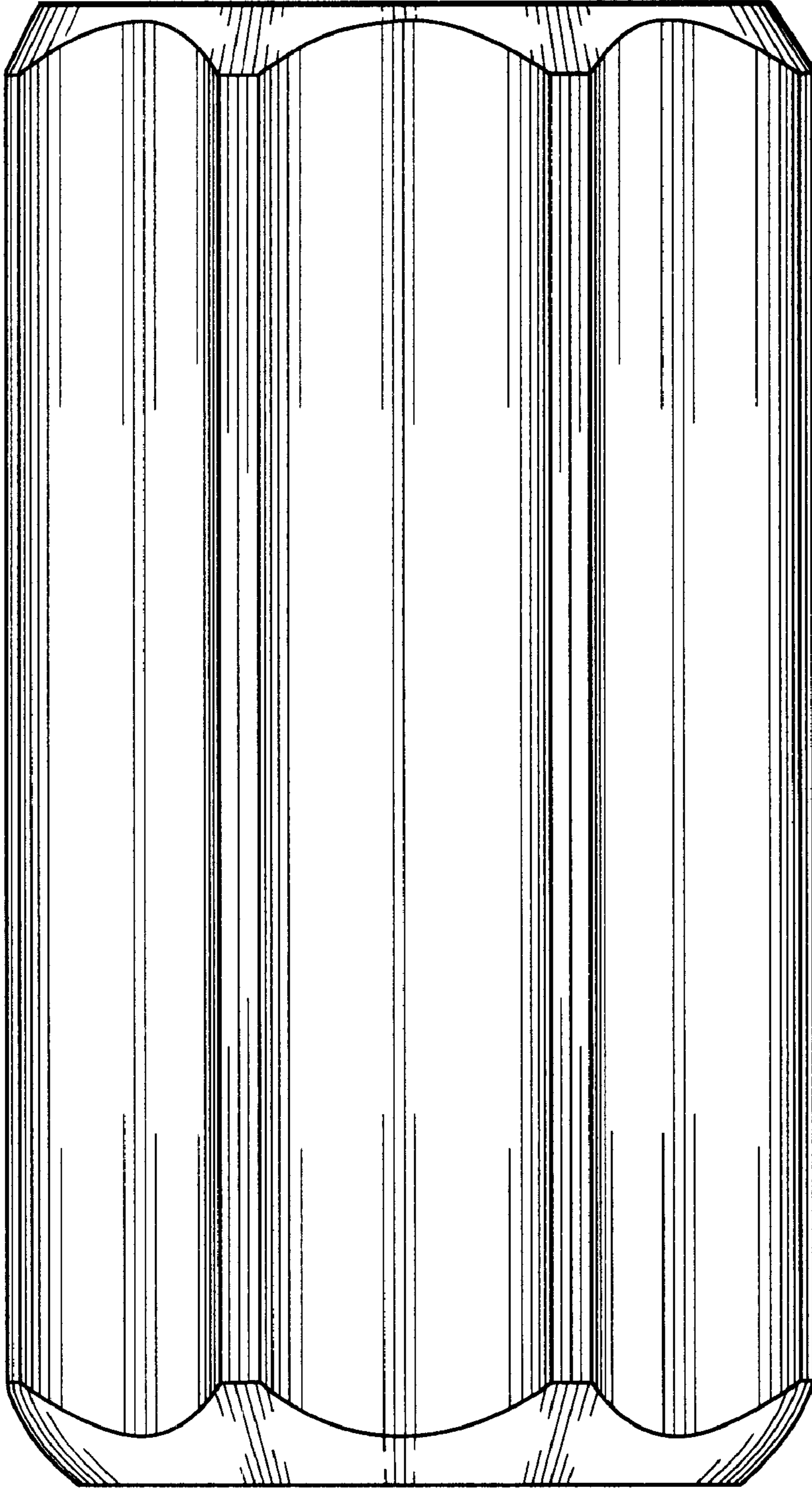


FIG. 2

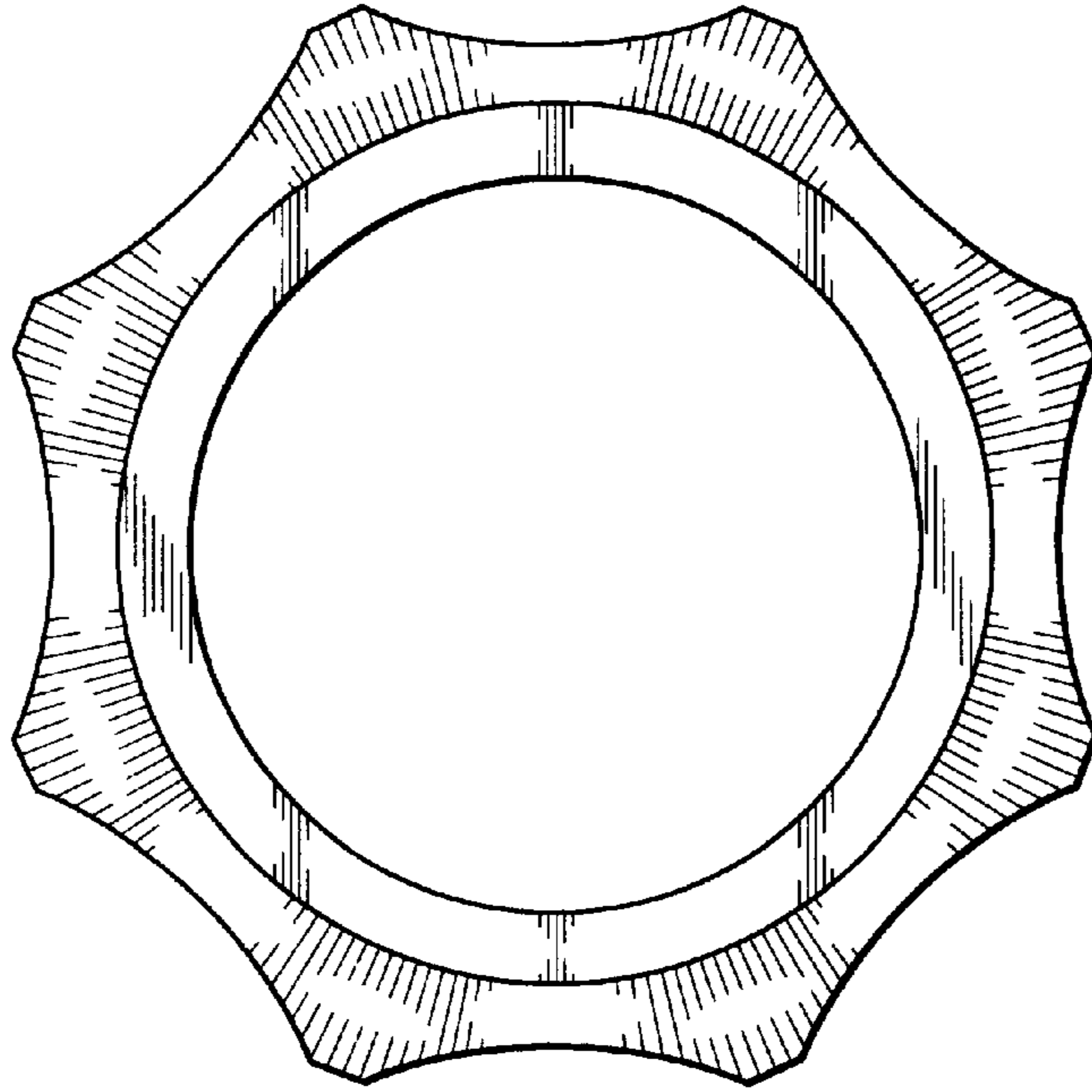


FIG. 3

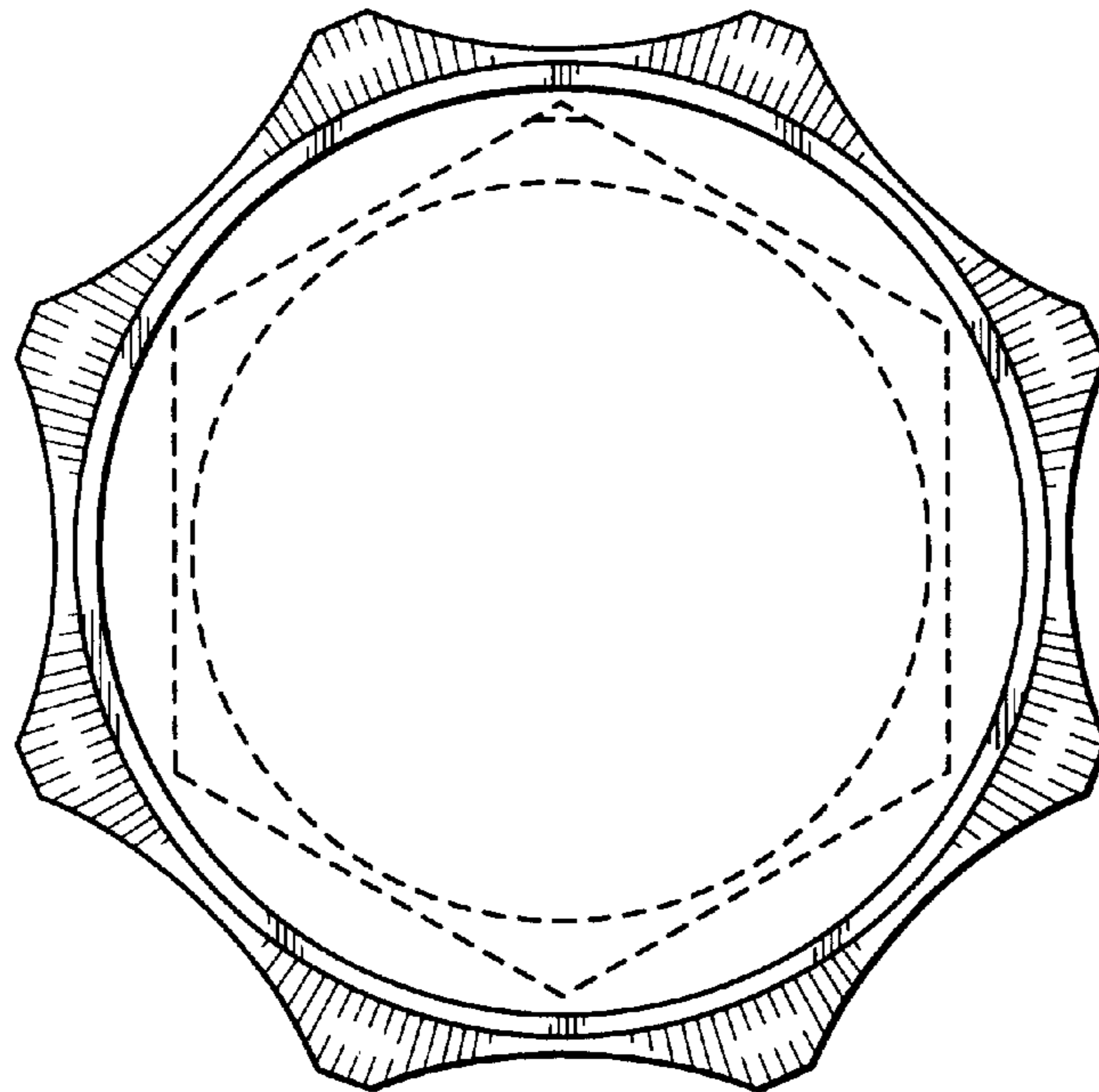


FIG. 4