



US00D460945S

(12) **United States Design Patent**
Wang

(10) **Patent No.:** **US D460,945 S**

(45) **Date of Patent:** **** Jul. 30, 2002**

(54) **AV TERMINAL CONNECTOR**

(75) **Inventor:** **Yao Do Wang, Hsintien (TW)**

(73) **Assignee:** **Conser Precision Electronics Co., Ltd., Hsintien (TW)**

(**) **Term:** **14 Years**

(21) **Appl. No.:** **29/151,085**

(22) **Filed:** **Dec. 5, 2001**

(51) **LOC (7) Cl.** **13-03**

(52) **U.S. Cl.** **D13/147**

(58) **Field of Search** **D13/133, 146, D13/147; 439/188, 668, 669, 541.5**

(56) **References Cited**

U.S. PATENT DOCUMENTS

4,878,856	A	*	11/1989	Maxwell	439/541.5
D377,336	S	*	1/1997	Tan et al.	D13/147
5,643,008	A	*	7/1997	Tan et al.	439/541.5
5,755,592	A	*	5/1998	Hillbish et al.	439/541.5
D420,645	S	*	2/2000	Chang et al.	D13/146
D420,978	S	*	2/2000	Chang	D13/146

D420,979	S	*	2/2000	Chang	D13/146
6,083,044	A	*	7/2000	Wang et al.	439/541.5 X
6,109,936	A	*	8/2000	Tan et al.	439/92
6,168,462	B1	*	1/2001	Liao	439/541.5
6,200,161	B1	*	3/2001	McClinton et al.	439/541.5

* cited by examiner

Primary Examiner—Joel Sincavage

(74) *Attorney, Agent, or Firm*—Rosenberg, Klein & Lee

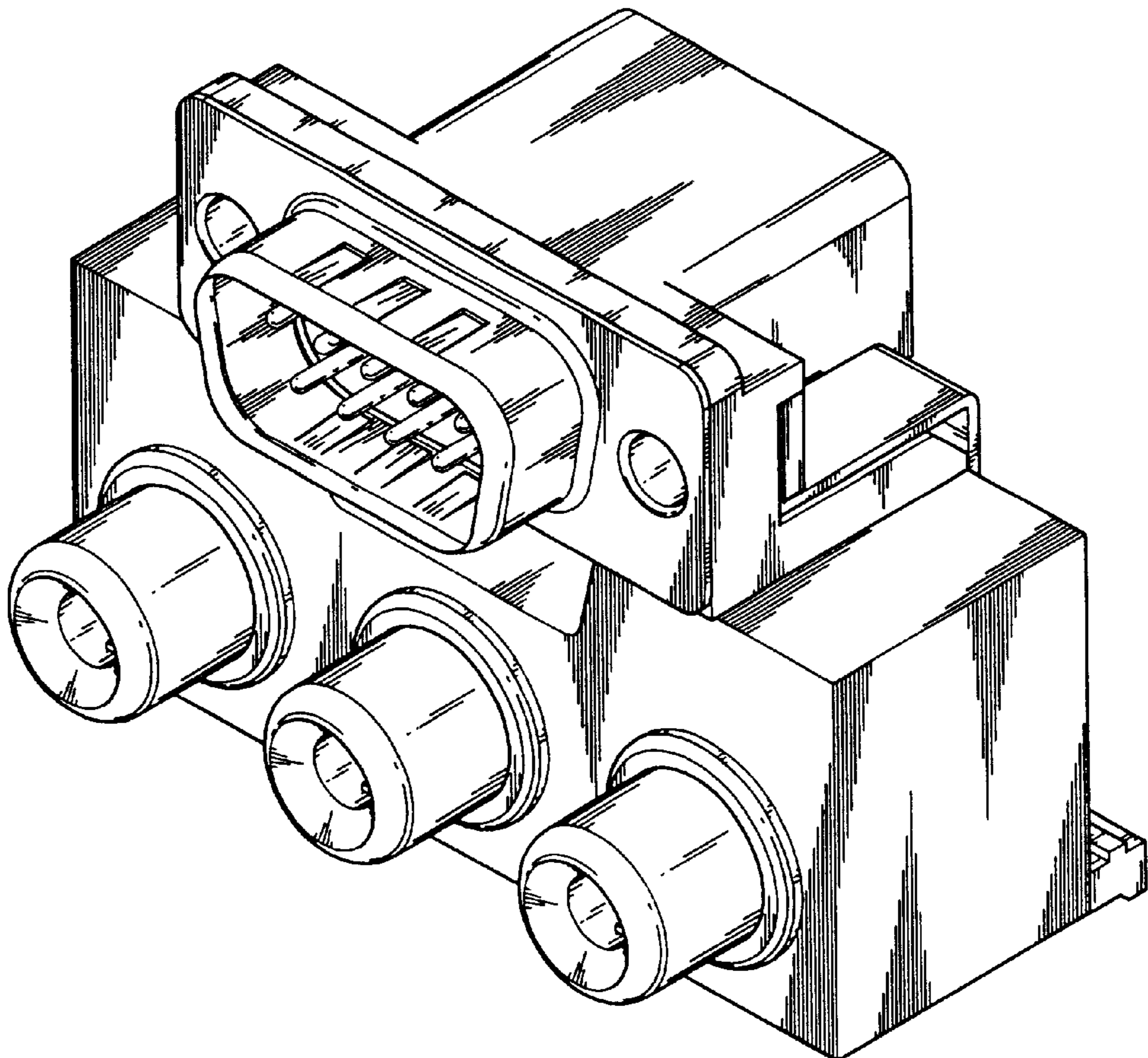
(57) **CLAIM**

The ornamental design for an “AV terminal connector”, as shown and described.

DESCRIPTION

FIG. 1 is the perspective view of an “AV terminal connector” showing my new design; FIG. 2 is the front view thereof; FIG. 3 is the rear view thereof; FIG. 4 is the left side view thereof; FIG. 5 is the right side view thereof; FIG. 6 is the top view thereof; and, FIG. 7 is the bottom view thereof.

1 Claim, 4 Drawing Sheets



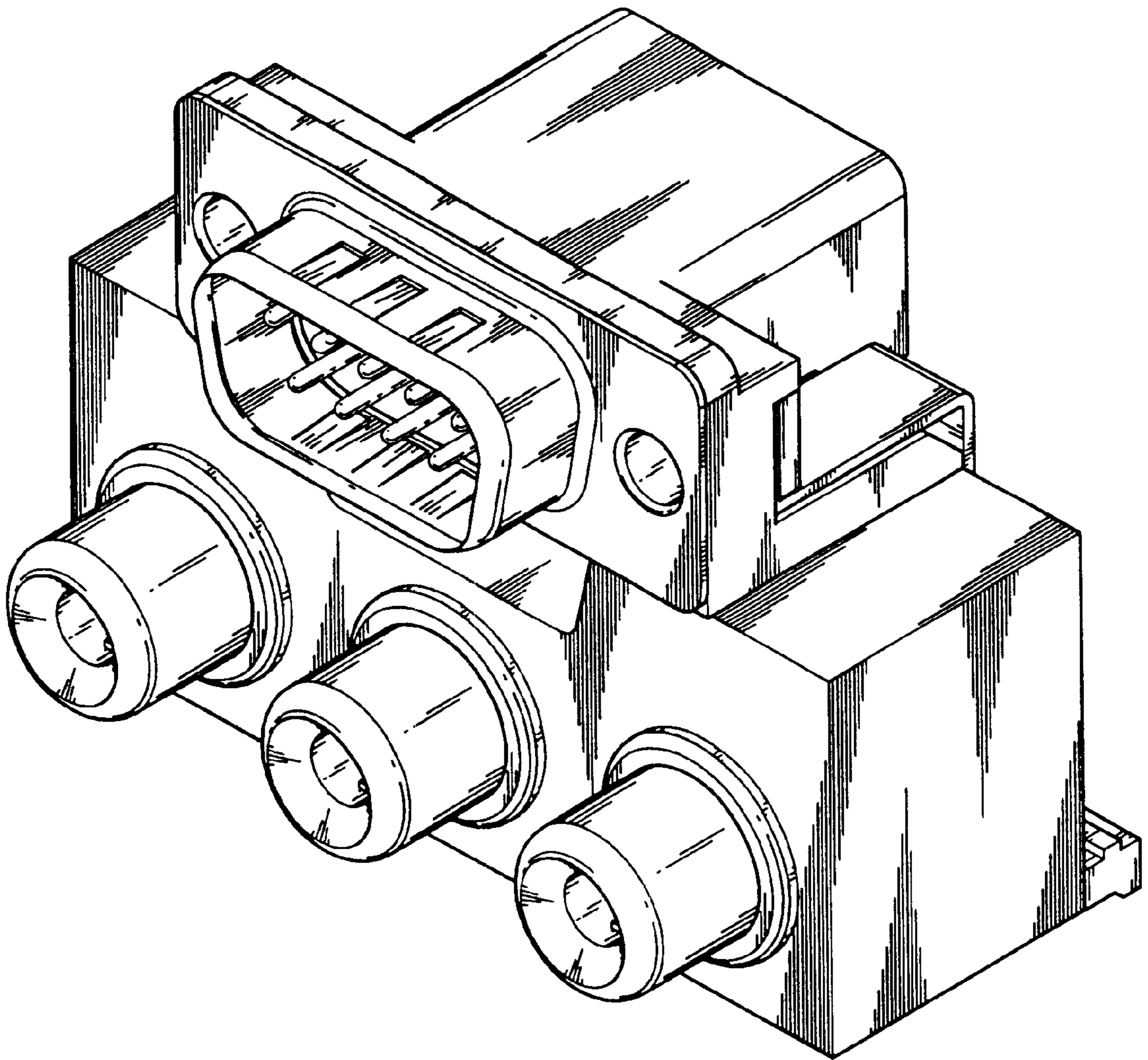


FIG. 1

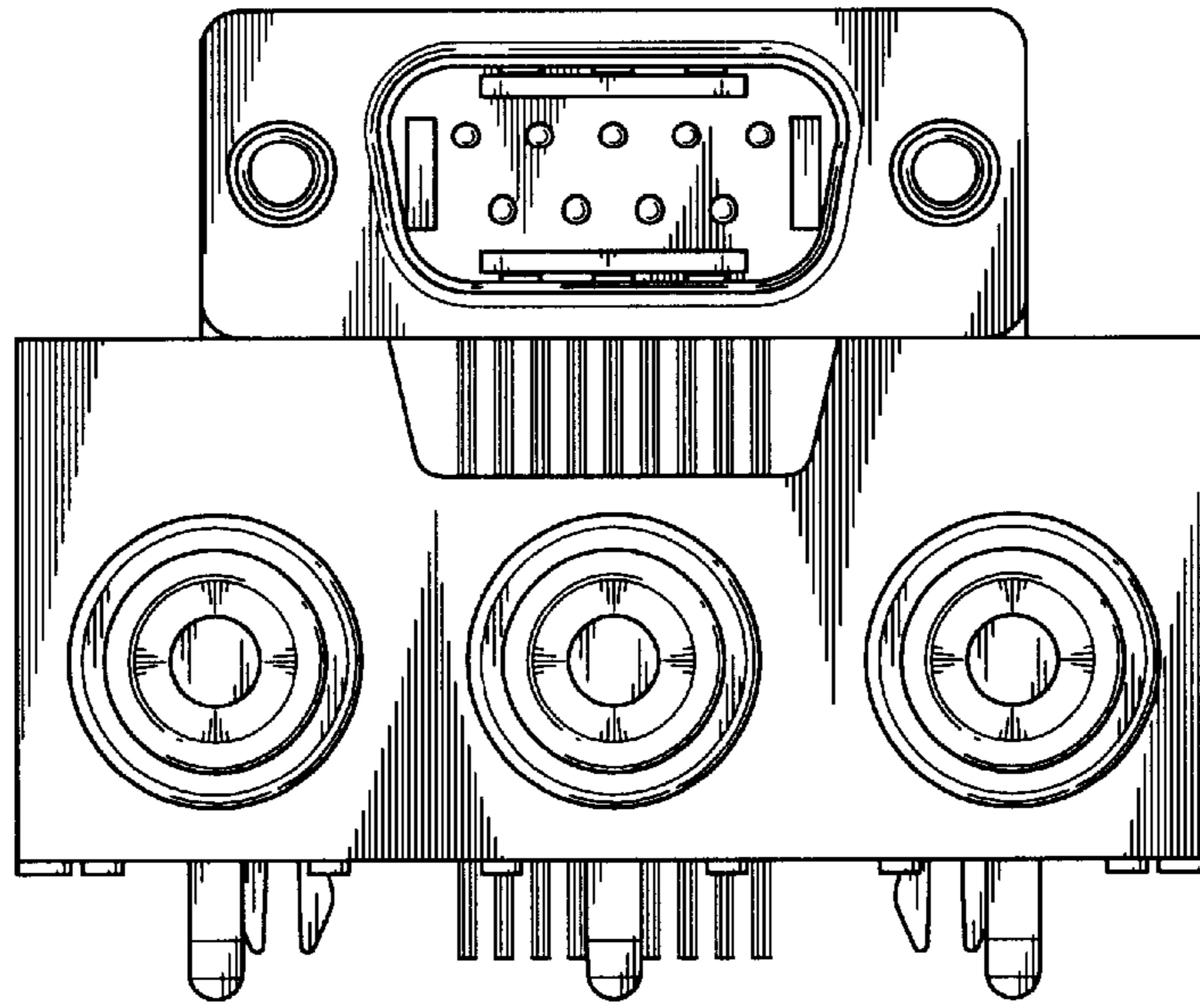


FIG. 2

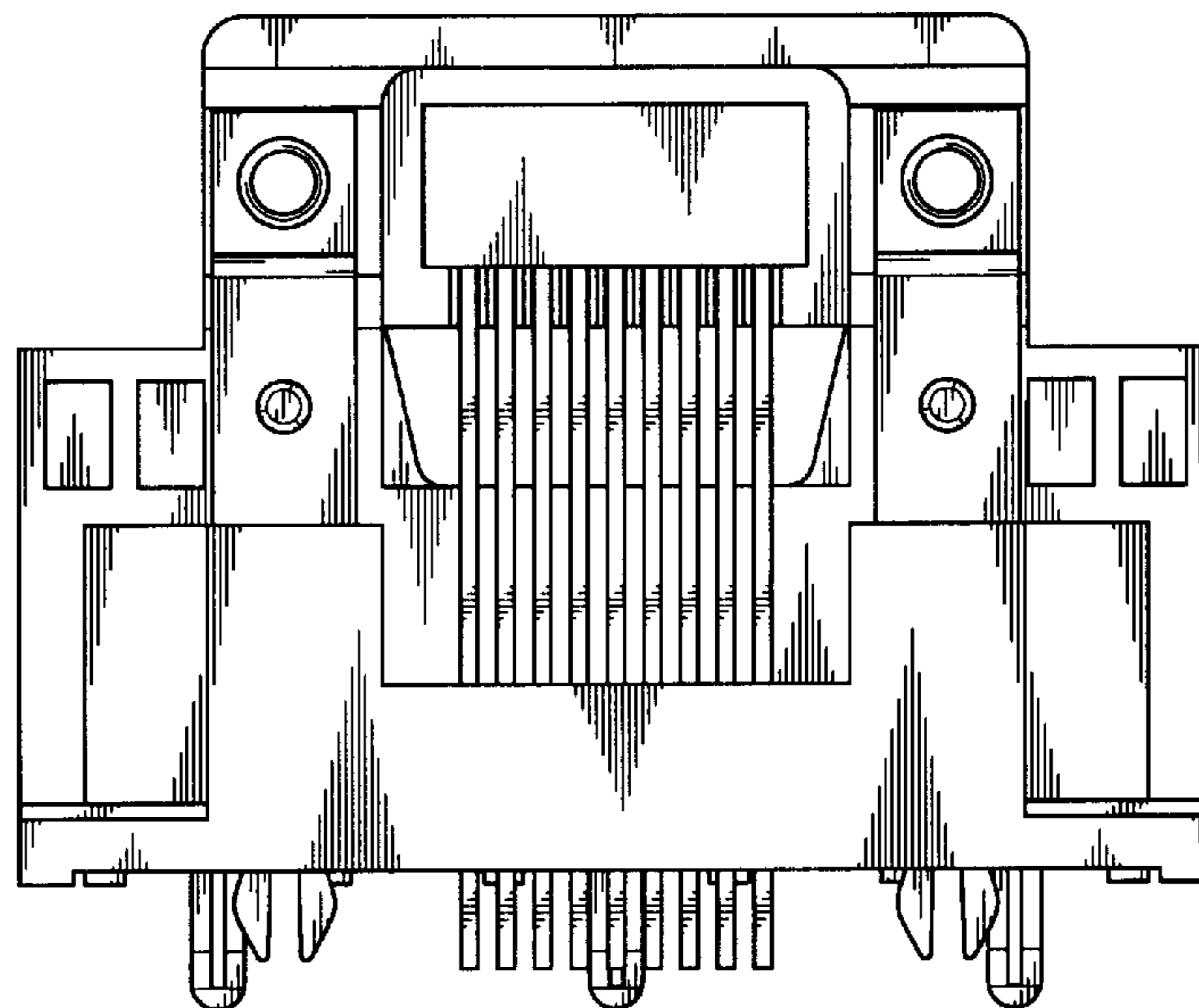


FIG. 3

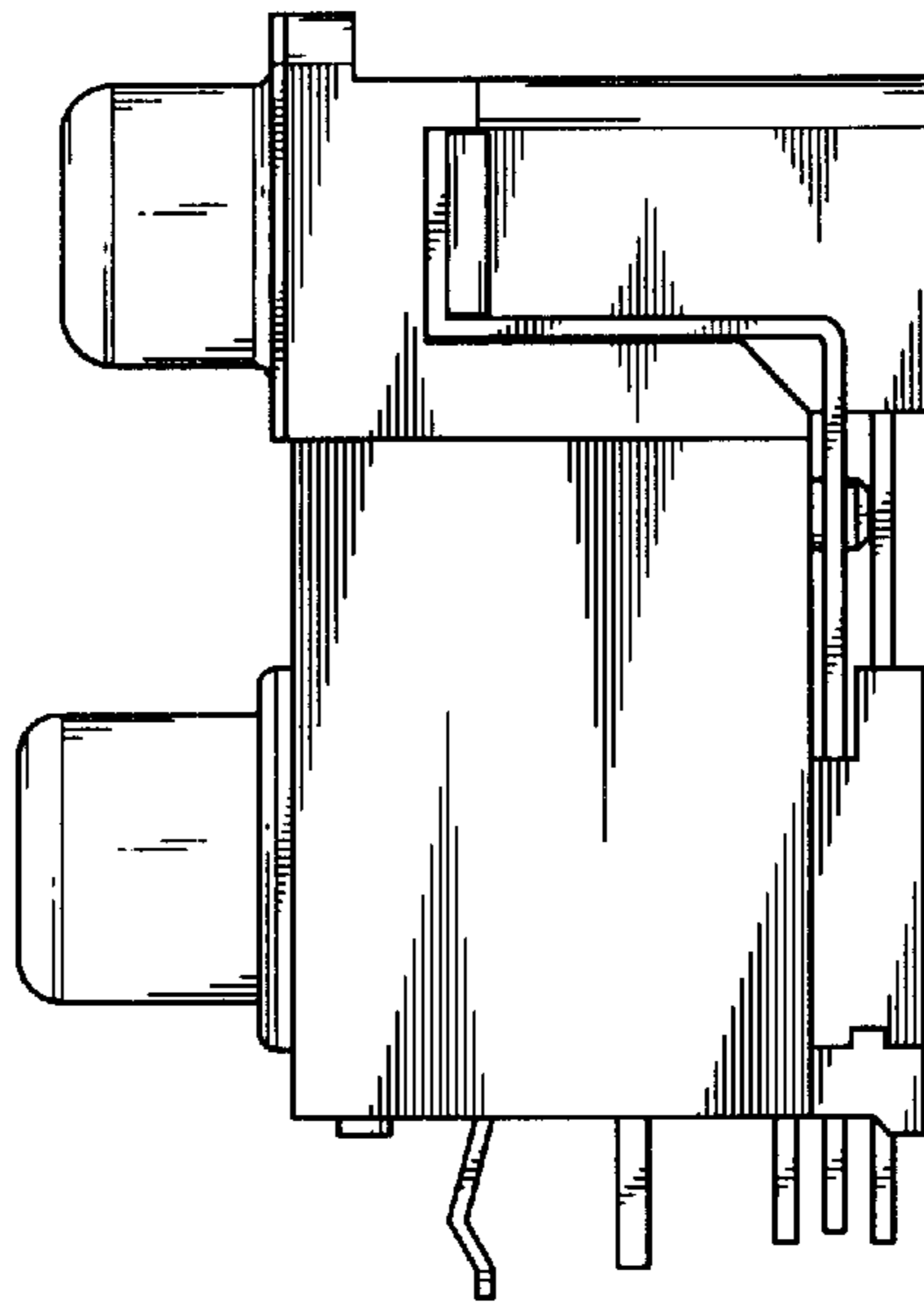


FIG. 4

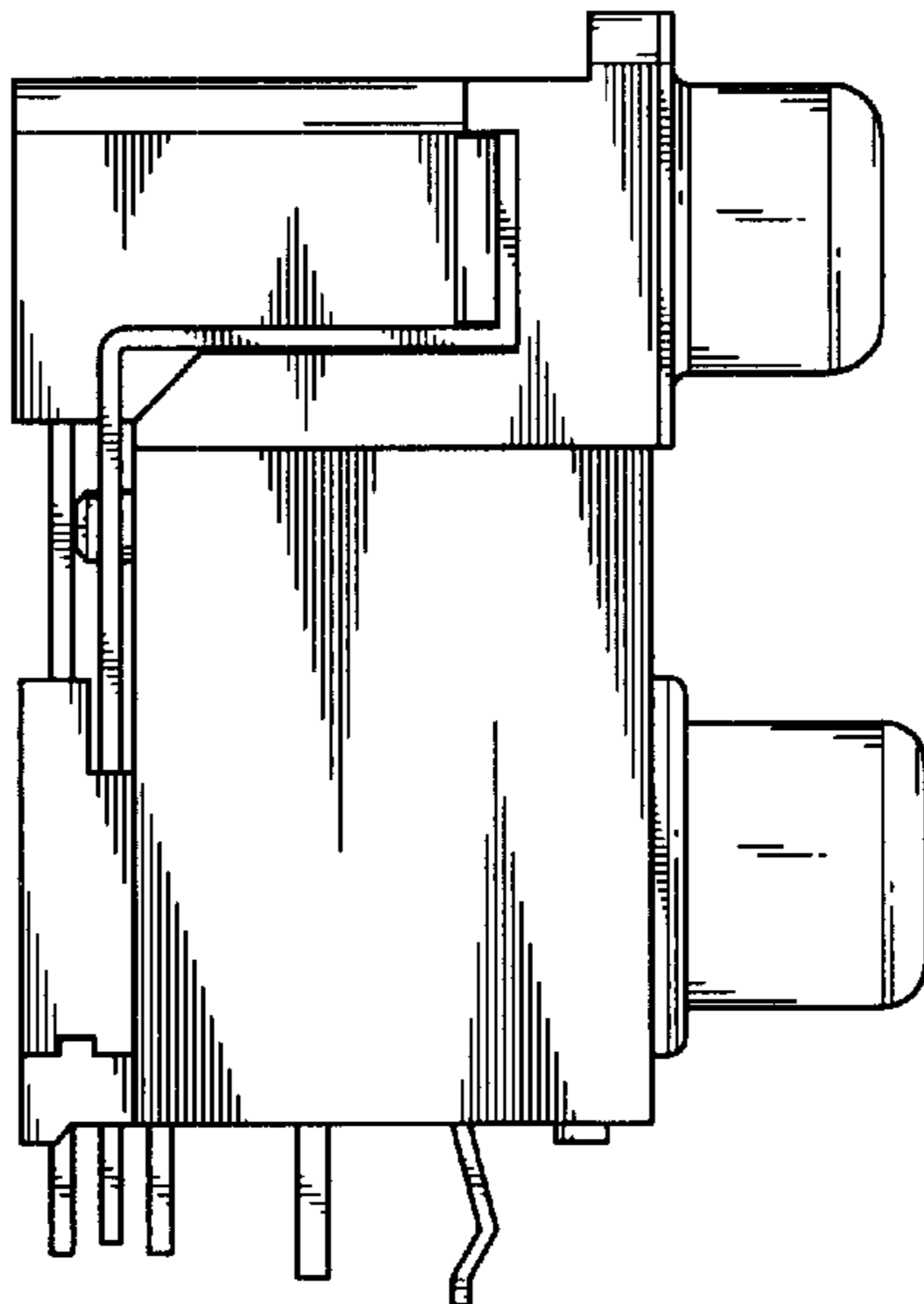


FIG. 5

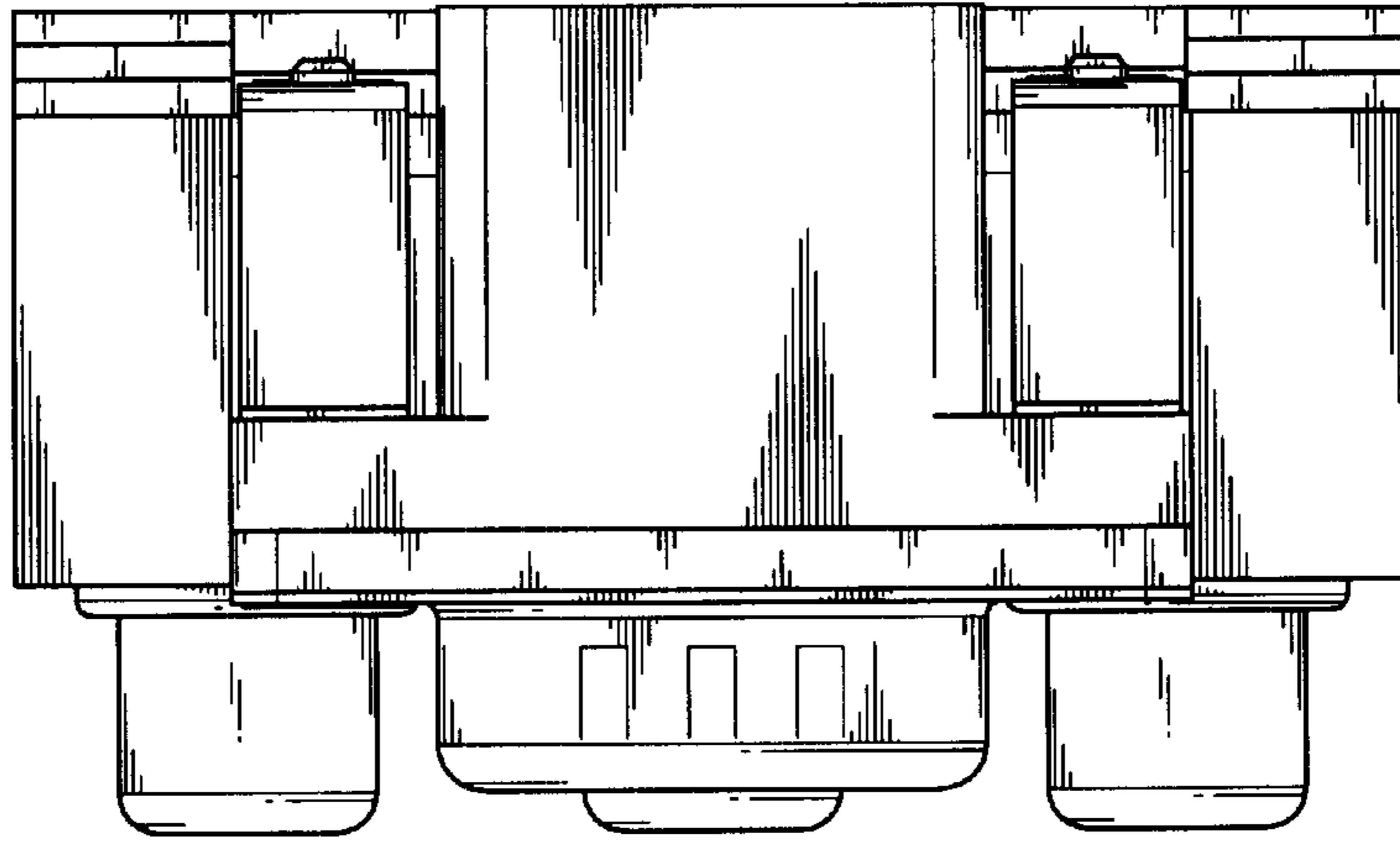


FIG. 6

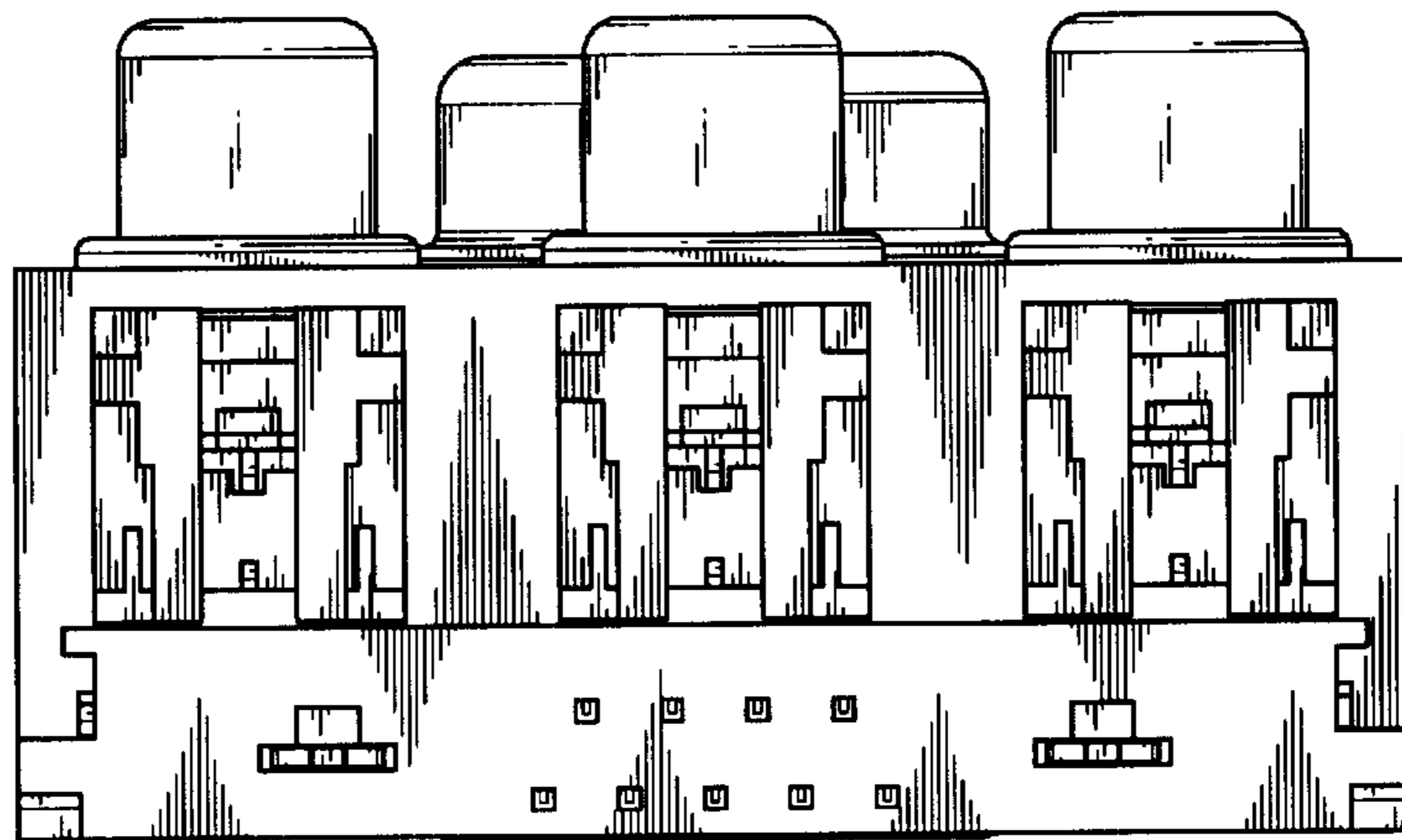


FIG. 7