



US00D460942S

(12) **United States Design Patent**  
**Lee**

(10) **Patent No.:** **US D460,942 S**

(45) **Date of Patent:** **\*\* Jul. 30, 2002**

(54) **AUTOMOTIVE WHEEL**

(75) **Inventor:** **Seon Kyu Lee, Fullerton, CA (US)**

(73) **Assignee:** **Sancro International, Santa Fe Springs, CA (US)**

(\*\*) **Term:** **14 Years**

(21) **Appl. No.:** **29/135,603**

(22) **Filed:** **Jan. 16, 2001**

(51) **LOC (7) Cl.** ..... **12-16**

(52) **U.S. Cl.** ..... **D12/211**

(58) **Field of Search** ..... **D12/204-211;**  
**301/37.1, 64.1, 65**

(56) **References Cited**

**U.S. PATENT DOCUMENTS**

D368,464 S	*	4/1996	Morley et al.	.....	D12/209
D410,426 S	*	6/1999	Frizzi	.....	D12/211
D416,849 S	*	11/1999	Weidhase	.....	D12/211
D422,258 S	*	4/2000	Hale, Jr.	.....	D12/211
D428,379 S	*	7/2000	Donikoglu	.....	D12/211
D432,484 S	*	10/2000	Chung	.....	D12/211

D432,974 S	*	10/2000	Jablonski	.....	D12/211
D438,503 S	*	3/2001	Syring	.....	D12/211
D438,505 S	*	3/2001	McMath	.....	D12/211
D445,082 S	*	7/2001	Chung	.....	D12/211
D449,028 S	*	10/2001	Weidhase	.....	D12/209
D451,067 S	*	11/2001	Frizzi	.....	D12/211
D451,877 S	*	12/2001	Lee	.....	D12/211

\* cited by examiner

*Primary Examiner*—Stacia Cadmus

(74) *Attorney, Agent, or Firm*—G. Donald Weber, Jr.

(57) **CLAIM**

The ornamental design for an automotive wheel, as shown and described.

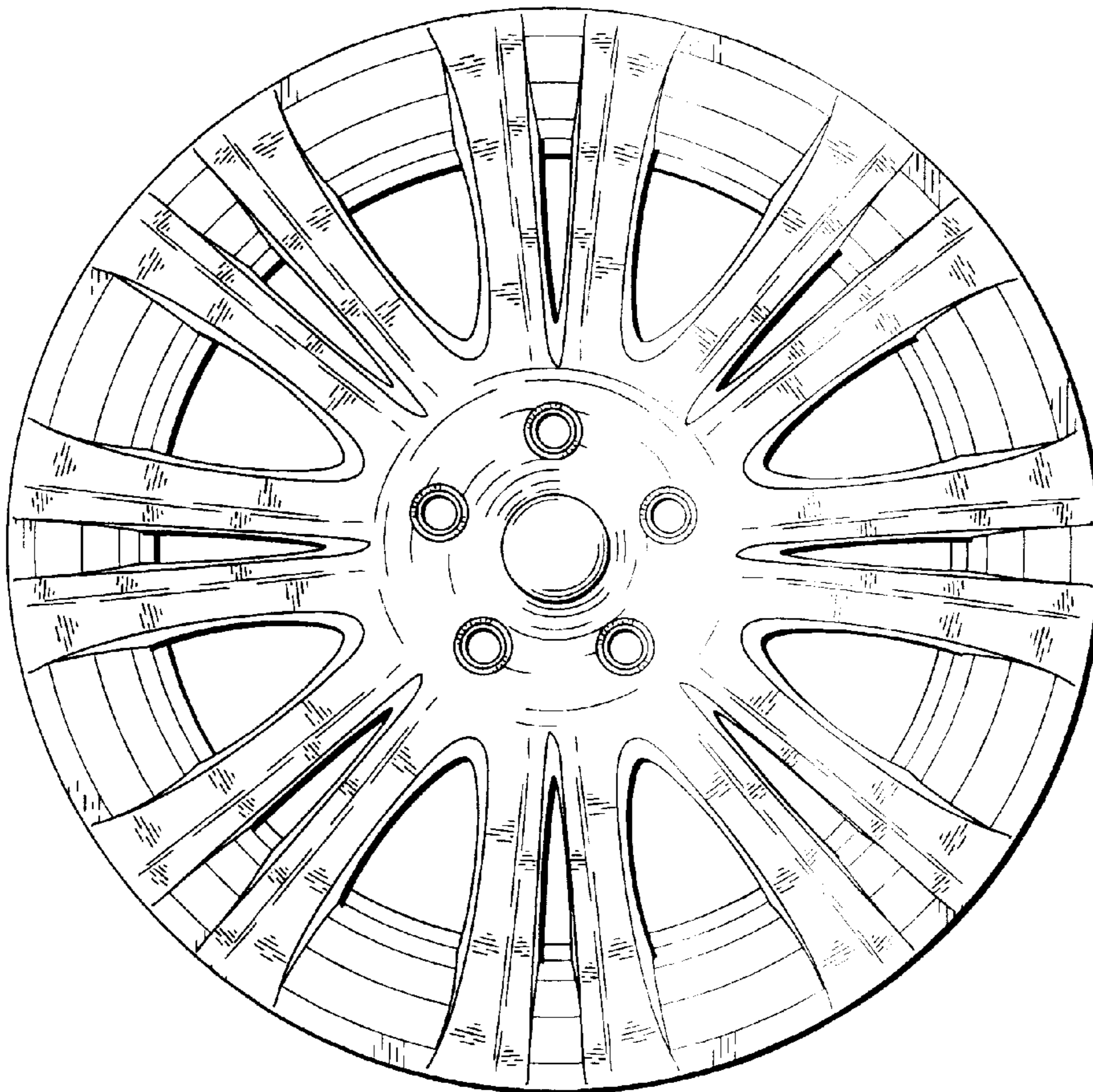
**DESCRIPTION**

FIG. 1 is an oblique view of the automotive wheel of the instant invention; and,

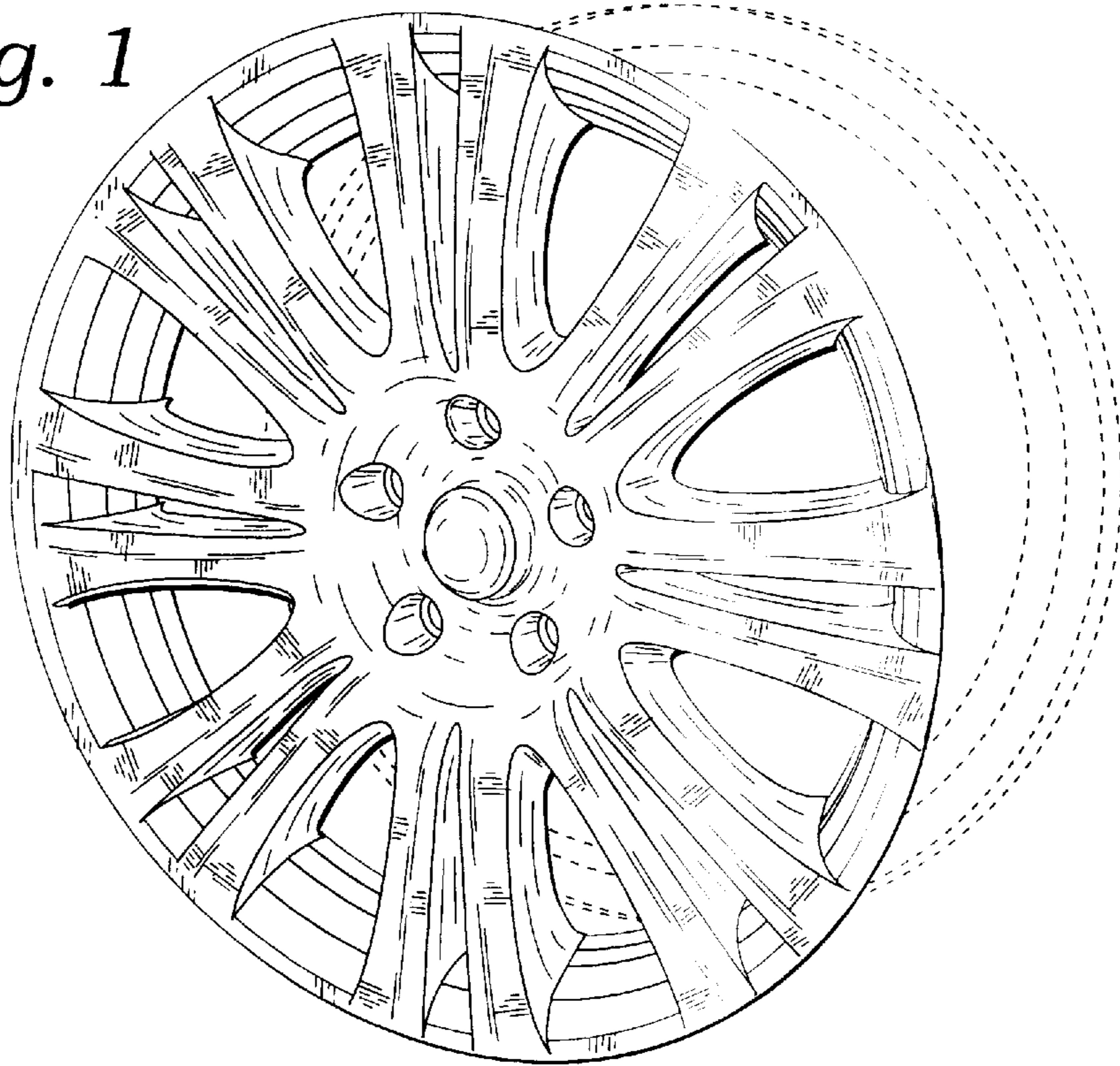
FIG. 2 is a front view of the automotive wheel of the instant invention.

The broken line showing of environment is for illustrative purposes only and forms no part of the claimed design.

**1 Claim, 1 Drawing Sheet**



*Fig. 1*



*Fig. 2*

