



US00D460940S

(12) **United States Design Patent**  
**Chung**

(10) **Patent No.:** **US D460,940 S**

(45) **Date of Patent:** **\*\* Jul. 30, 2002**

(54) **AUTOMOTIVE WHEEL**

(75) **Inventor:** **Suny Chung**, Placentia, CA (US)

(73) **Assignee:** **DM Tech America, Inc.**, Cerritos, CA (US)

(\*\*) **Term:** **14 Years**

(21) **Appl. No.:** **29/154,089**

(22) **Filed:** **Jan. 16, 2002**

(51) **LOC (7) Cl.** ..... **12-16**

(52) **U.S. Cl.** ..... **D12/209**

(58) **Field of Search** ..... **D12/204-211;**  
**301/37.1, 64.1, 65**

(56) **References Cited**

**U.S. PATENT DOCUMENTS**

- D408,345 S \* 4/1999 Cullen ..... D12/209
- D421,417 S \* 3/2000 Weidhase ..... D12/209
- D429,681 S \* 8/2000 Cullen ..... D12/211

- D447,993 S \* 9/2001 Neeper ..... D12/211
- D450,027 S \* 11/2001 Kuribayashi ..... D12/209
- D450,650 S \* 11/2001 Cinibulk ..... D12/211
- D451,463 S \* 12/2001 Murkett et al. .... D12/209
- D454,105 S \* 3/2002 Pfeiffer ..... D12/209

\* cited by examiner

*Primary Examiner*—Stacia Cadmus

(74) *Attorney, Agent, or Firm*—G. Donald Weber, Jr.

(57) **CLAIM**

The ornamental design for an automotive wheel, as shown and described.

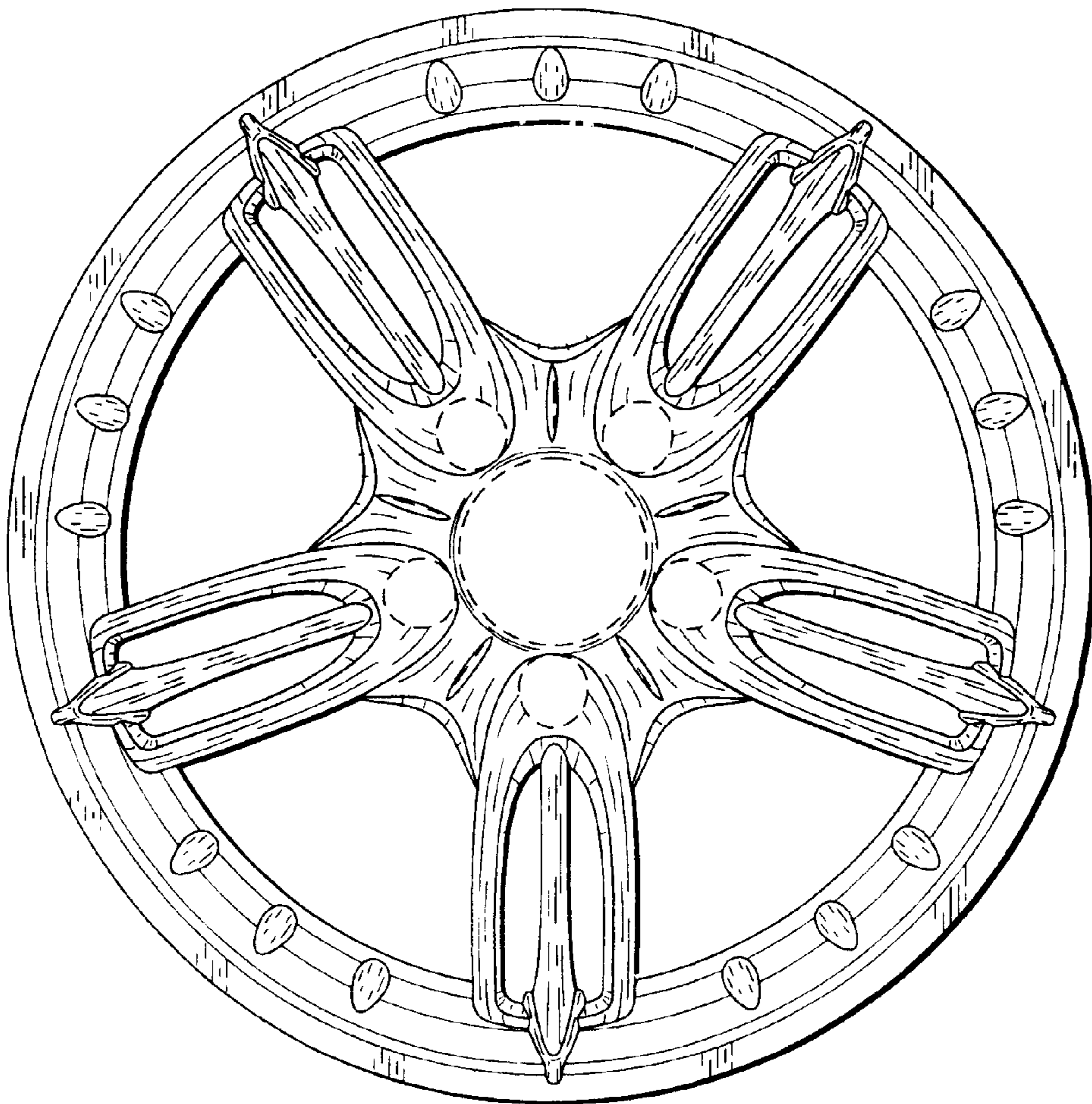
**DESCRIPTION**

FIG. 1 is an oblique view of the automotive wheel of the instant invention; and,

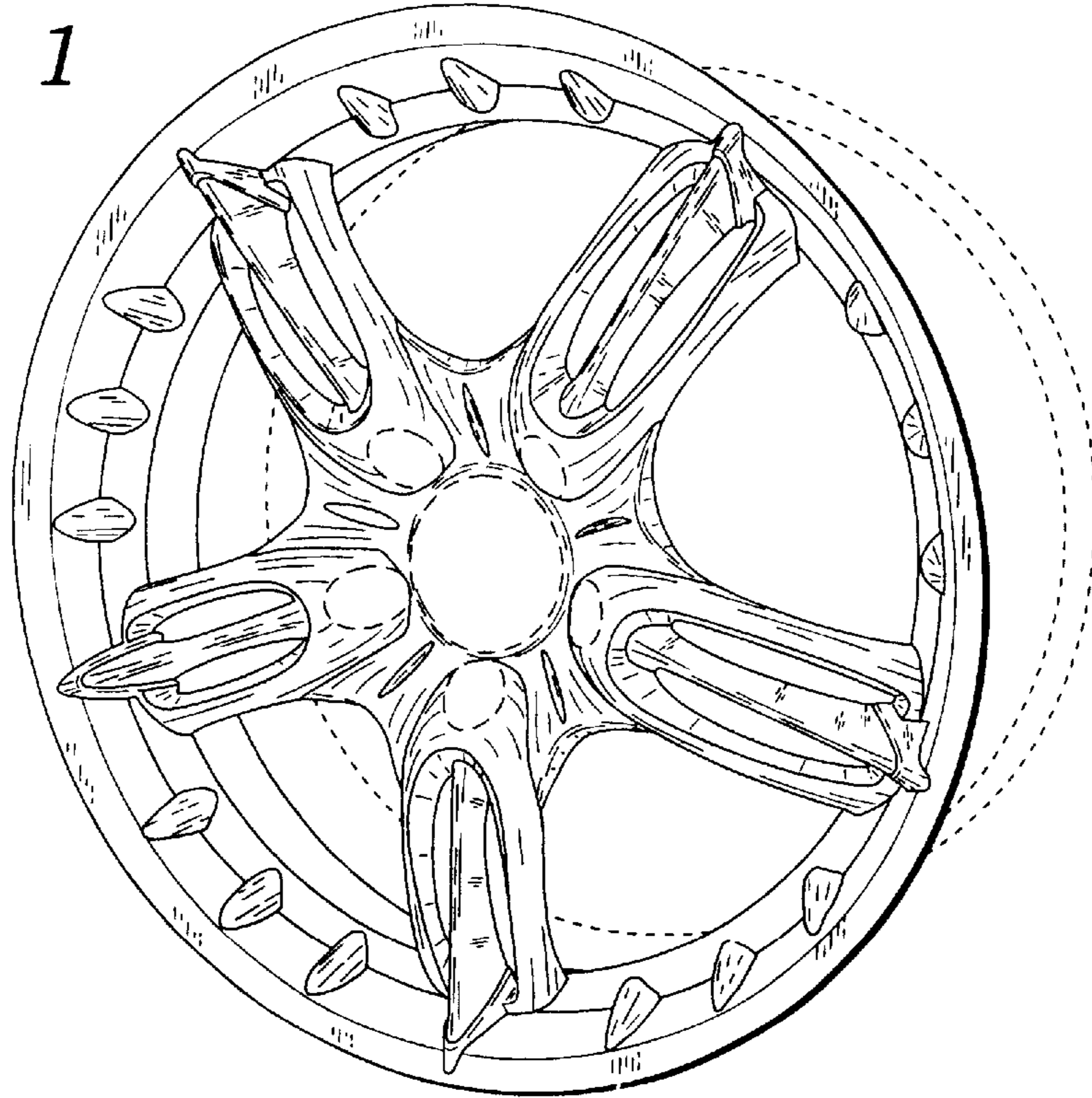
FIG. 2 is a side elevation view of the automotive wheel of the instant invention.

The broken line showing of environment is for illustrative purposes only and forms no part of the claimed design.

**1 Claim, 1 Drawing Sheet**



*Fig. 1*



*Fig. 2*

