



US00D460936S

(12) **United States Design Patent**
Nakazawa et al.

(10) **Patent No.:** **US D460,936 S**

(45) **Date of Patent:** **** Jul. 30, 2002**

(54) **PORTION OF A WHEEL**

(75) Inventors: **Tetsuya Nakazawa**, Rancho Palos Verdes; **Anthony Schroeder**, Huntington Beach; **Bruno Conte**, Redondo Beach, all of CA (US)

(73) Assignee: **Honda Giken Kogyo Kabushiki Kaisha**, Tokyo (JP)

(**) Term: **14 Years**

(21) Appl. No.: **29/136,640**

(22) Filed: **Feb. 6, 2001**

(51) **LOC (7) Cl.** **12-16**

(52) **U.S. Cl.** **D12/209**

(58) **Field of Search** D12/204-211;
301/37.1, 64.1, 65

(56) **References Cited**

U.S. PATENT DOCUMENTS

D204,669 S	*	5/1966	Goodwin	D12/209
D208,541 S	*	9/1967	Rader	D12/211
D336,743 S	*	6/1993	Cattaneo	D12/211
D370,883 S	*	6/1996	Bhambra	D12/209
D395,863 S	*	7/1998	Sacco et al.	D12/211
D403,291 S	*	12/1998	Cullen	D12/211
D408,774 S	*	4/1999	Nishida	D12/209
D412,693 S	*	8/1999	Kulla	D12/211
D416,845 S	*	11/1999	Frueh	D12/209
D423,441 S	*	4/2000	Bildhaeuser	D12/209
D423,446 S	*	4/2000	Chung	D12/211
D431,517 S	*	10/2000	Donikoglu	D12/209

D431,807 S	*	10/2000	Fitzgerald	D12/211
D432,068 S	*	10/2000	Fitzgerald	D12/209
D432,479 S	*	10/2000	Lee et al.	D12/209
D432,970 S	*	10/2000	Pfeiffer et al.	D12/209
D436,070 S	*	1/2001	Lee	D12/209
D436,339 S	*	1/2001	Fitzgerald	D12/209
D436,912 S	*	1/2001	Boyer	D12/211
D444,118 S	*	6/2001	Chung	D12/211
D446,761 S	*	8/2001	Kulla	D12/209
D450,648 S	*	11/2001	Oota	D12/211
D451,065 S	*	11/2001	Braun	D12/211
D453,131 S	*	1/2002	Gabath	D12/209
D453,133 S	*	1/2002	Murkett et al.	D12/209

* cited by examiner

Primary Examiner—Stacia Cadmus

(74) *Attorney, Agent, or Firm*—Banner & Witcoff, Ltd.

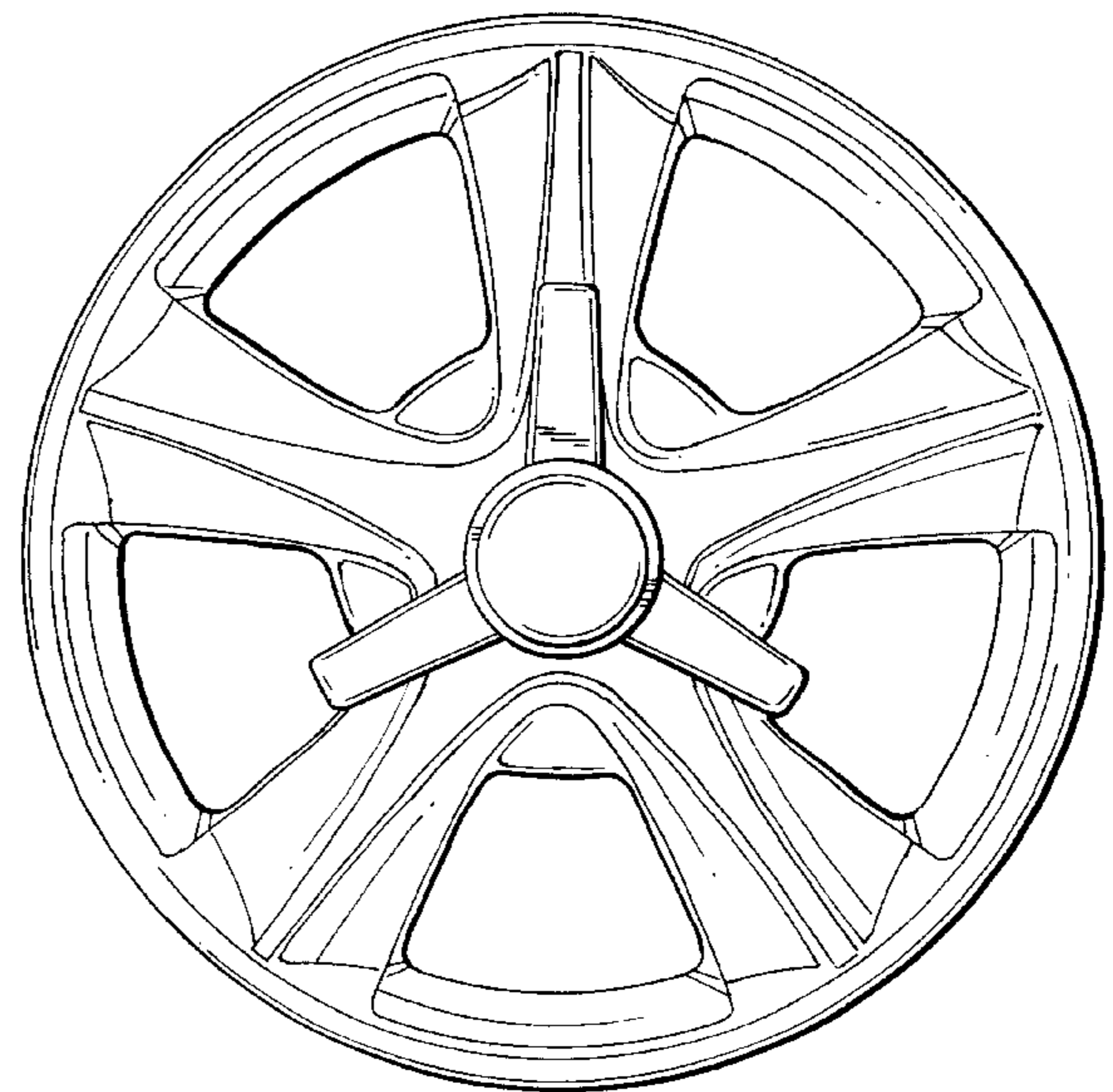
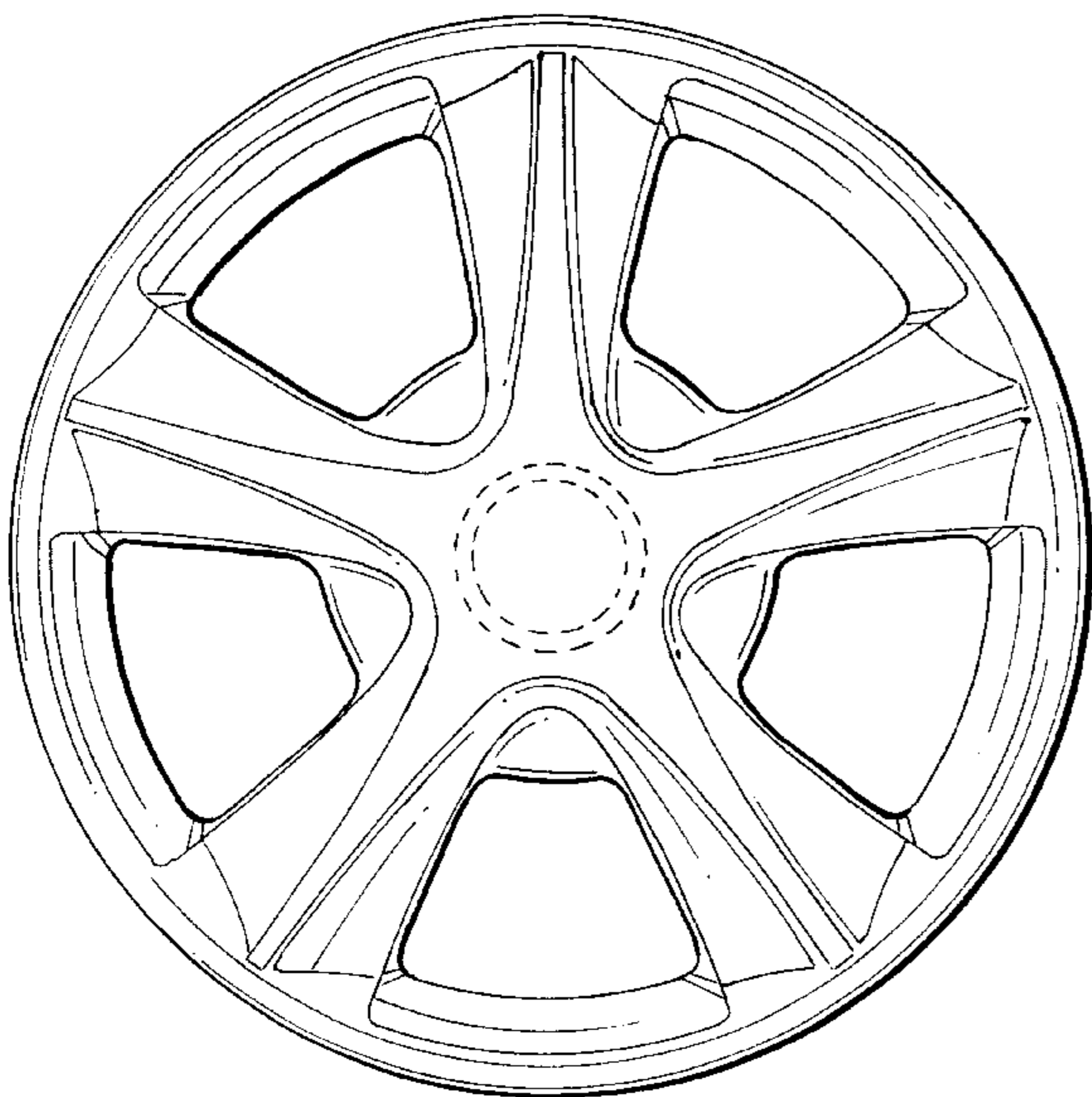
(57) **CLAIM**

The ornamental design for a portion of a wheel, as shown and described.

DESCRIPTION

FIG. 1 is an elevational view of a first embodiment of a portion of a wheel showing our new design; FIG. 2 is a perspective view thereof; FIG. 3 is an elevational view of a second embodiment of a portion of a wheel showing our new design; and, FIG. 4 is a perspective view thereof. The broken line showing of a hub element in FIGS. 1 and 2 is for illustrative purposes only and forms no part of the claimed design.

1 Claim, 2 Drawing Sheets



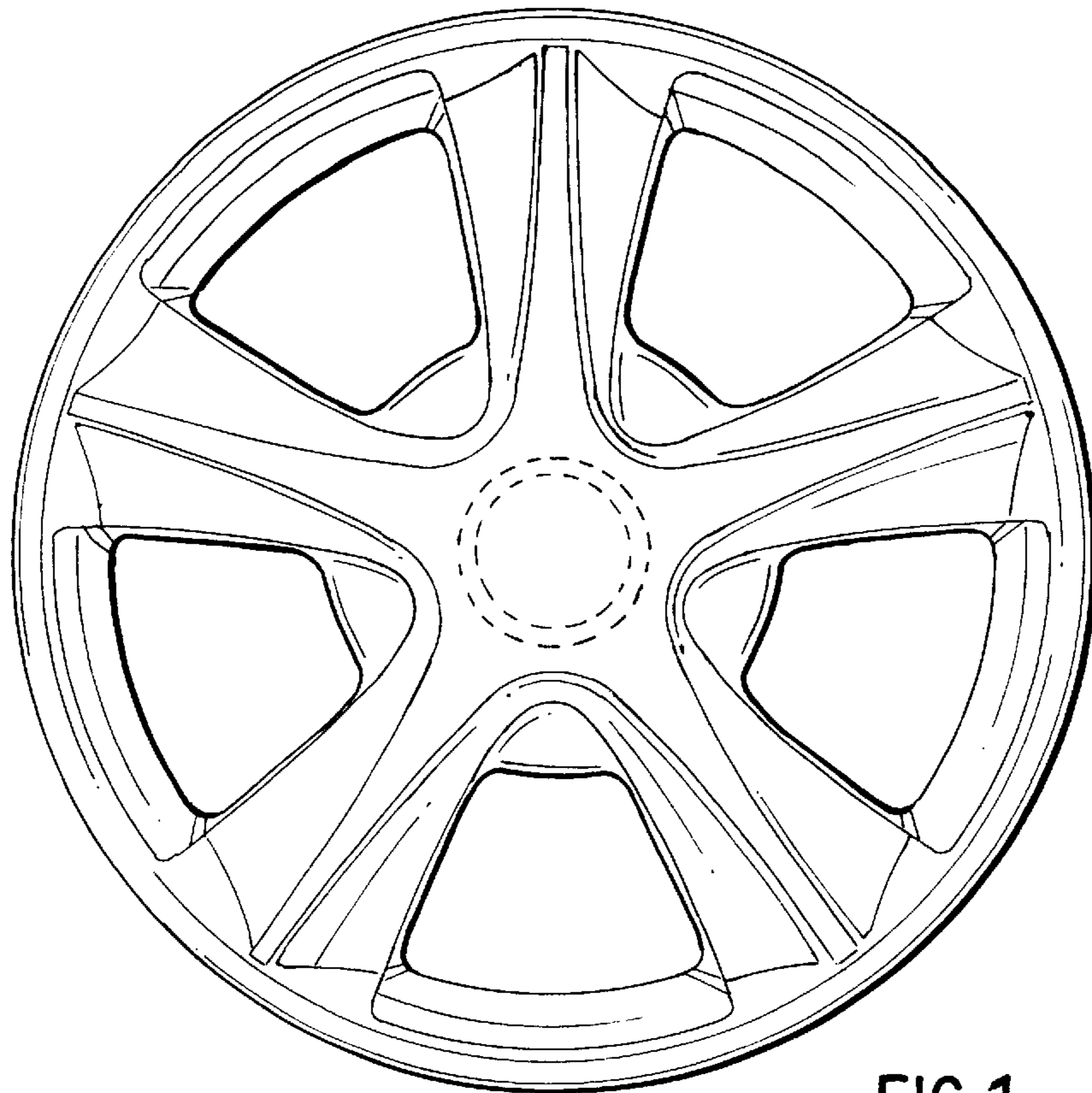


FIG. 1

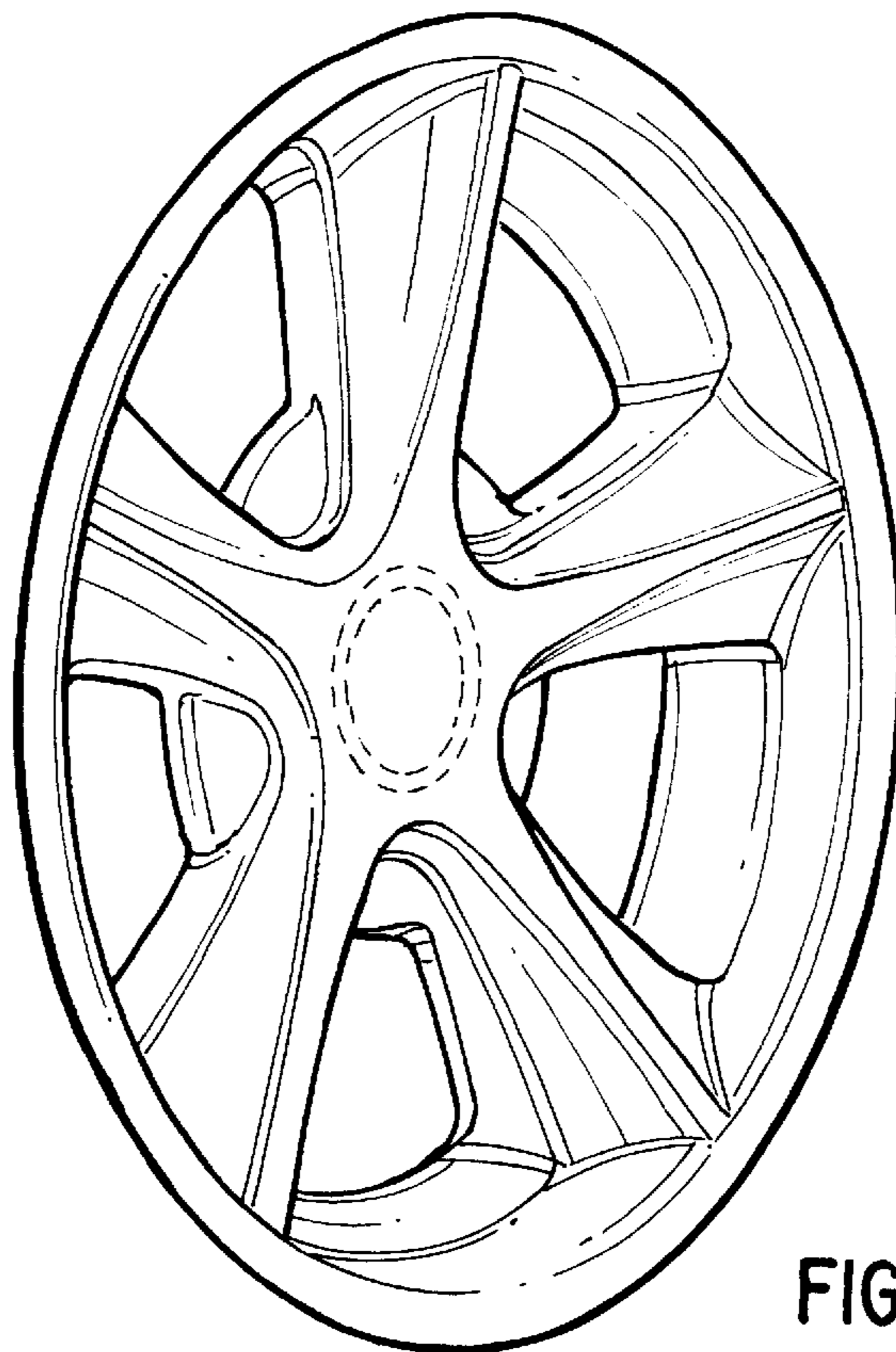


FIG. 2

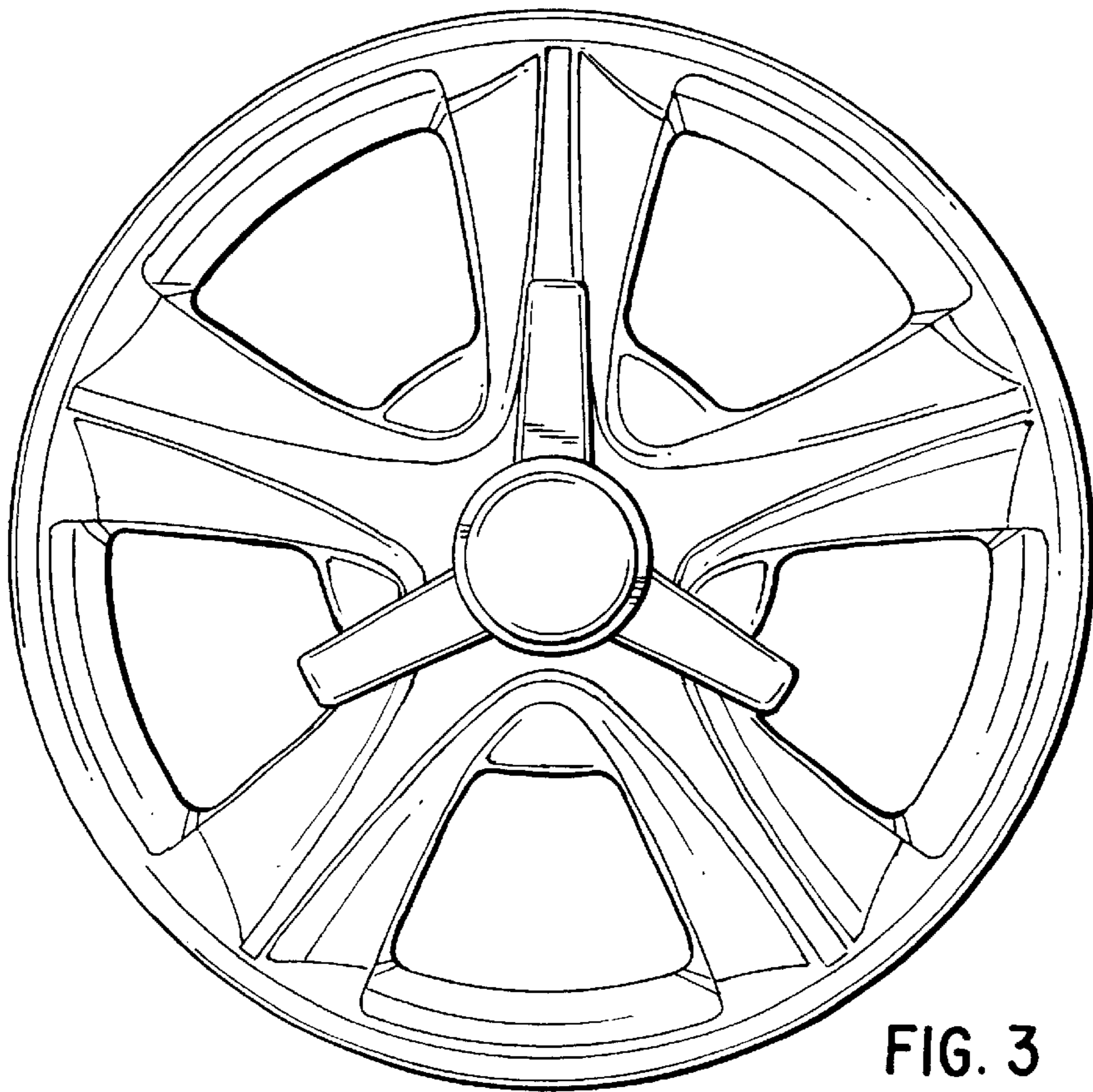


FIG. 3

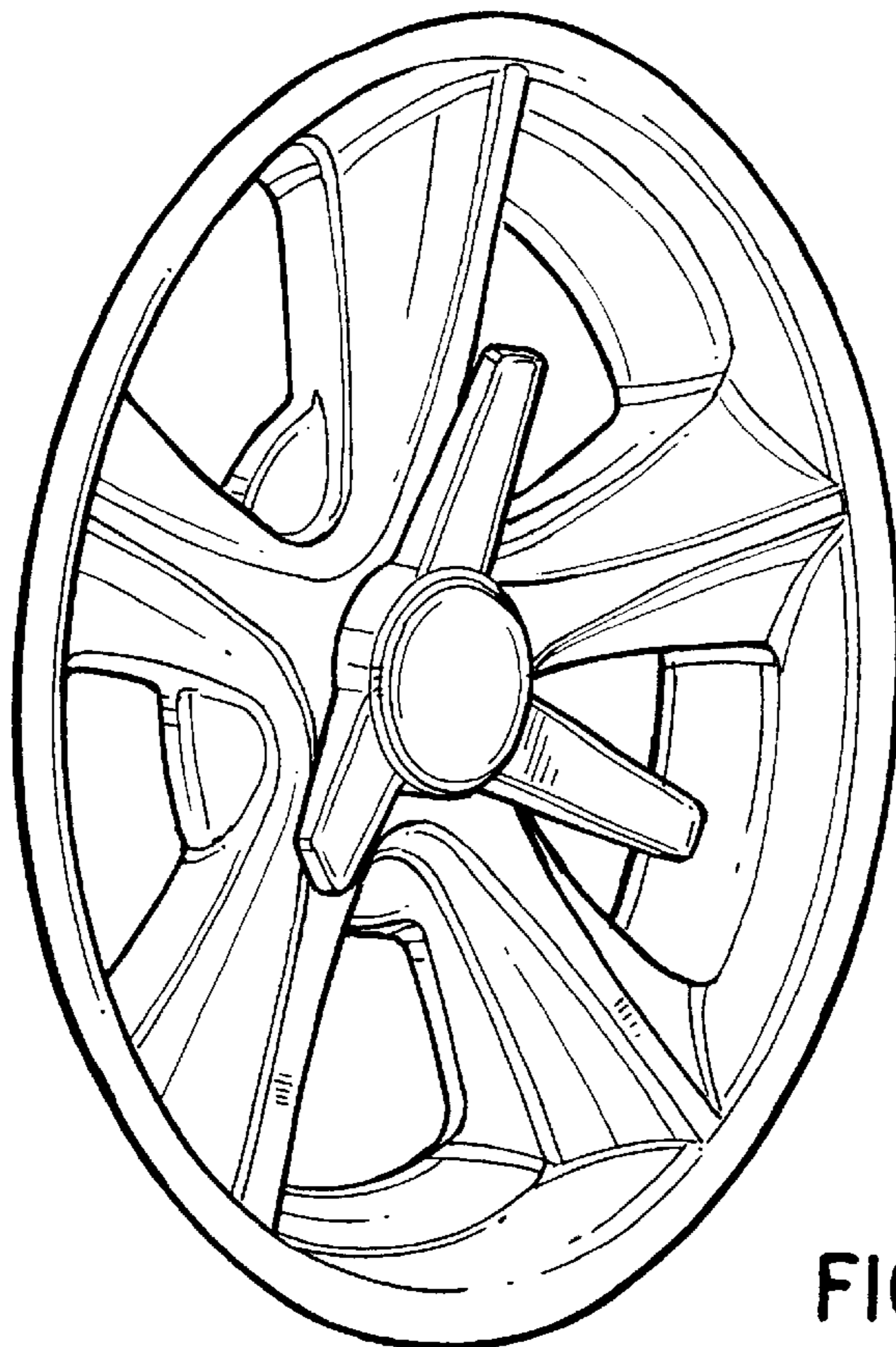


FIG. 4