



US00D460934S

(12) **United States Design Patent**
Richardson

(10) **Patent No.:** **US D460,934 S**

(45) **Date of Patent:** **** Jul. 30, 2002**

(54) **DUAL-ANGLE MIRROR**

D450,643 S * 11/2001 Terzano D12/187

(76) Inventor: **Edward LeRoy Richardson**, 3838
Rowena Cir., West Palm Beach, FL
(US) 33417

* cited by examiner

Primary Examiner—Melody N. Brown

(**) Term: **14 Years**

(57) **CLAIM**

The ornamental design for a dual-angle mirror, as shown and described.

(21) Appl. No.: **29/150,481**

(22) Filed: **Nov. 23, 2001**

DESCRIPTION

(51) **LOC (7) Cl.** **12-16**

(52) **U.S. Cl.** **D12/187**

(58) **Field of Search** D12/187-189;
359/838-850, 868-881; 248/475.1-481

FIG. 1 is a front elevational view of a dual-angle mirror showing my new design;
FIG. 2 is a rear elevational view thereof;
FIG. 3 is a side view, taken from the left side of FIG. 1;
FIG. 4 is a side view, taken from the right side of FIG. 1;
FIG. 5 is a top plan view, the bottom plan view being a mirror image thereof; and,
FIG. 6 is a perspective view of a dual-angle mirror mounted for use.

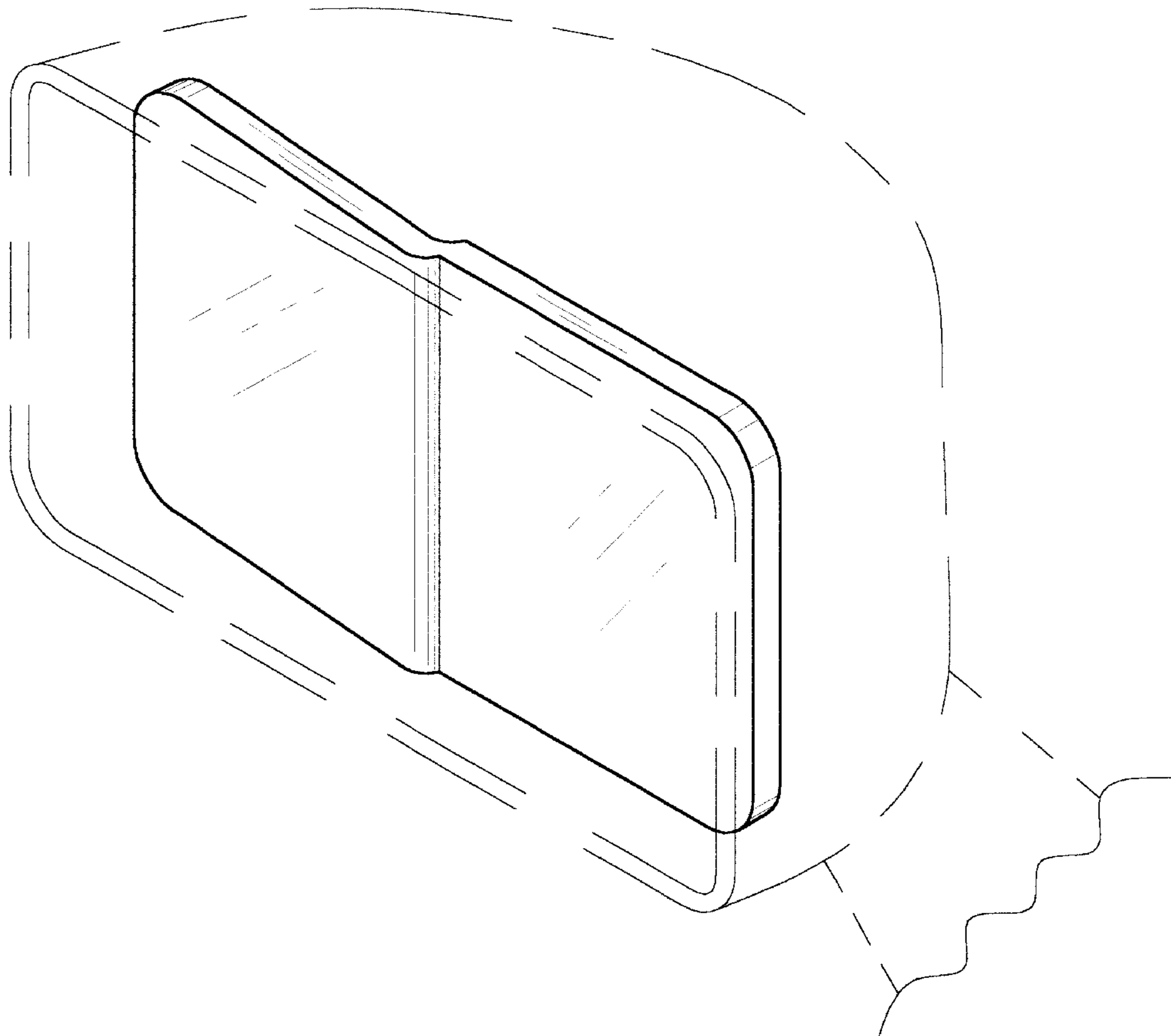
(56) **References Cited**

U.S. PATENT DOCUMENTS

5,296,973 A	*	3/1994	Burke	359/871
D367,457 S	*	2/1996	Fuleihan	D12/187
D402,604 S	*	12/1998	Morris	D12/187
D440,922 S	*	2/2001	Evers	D12/187
D449,261 S	*	10/2001	Englander	D12/187
D450,022 S	*	11/2001	Nagayama	D12/187

The broken line showing a vehicle exterior rear-view mirror mount in FIG. 6 is for illustrative purposes only and forms no part of the claimed design.

1 Claim, 3 Drawing Sheets



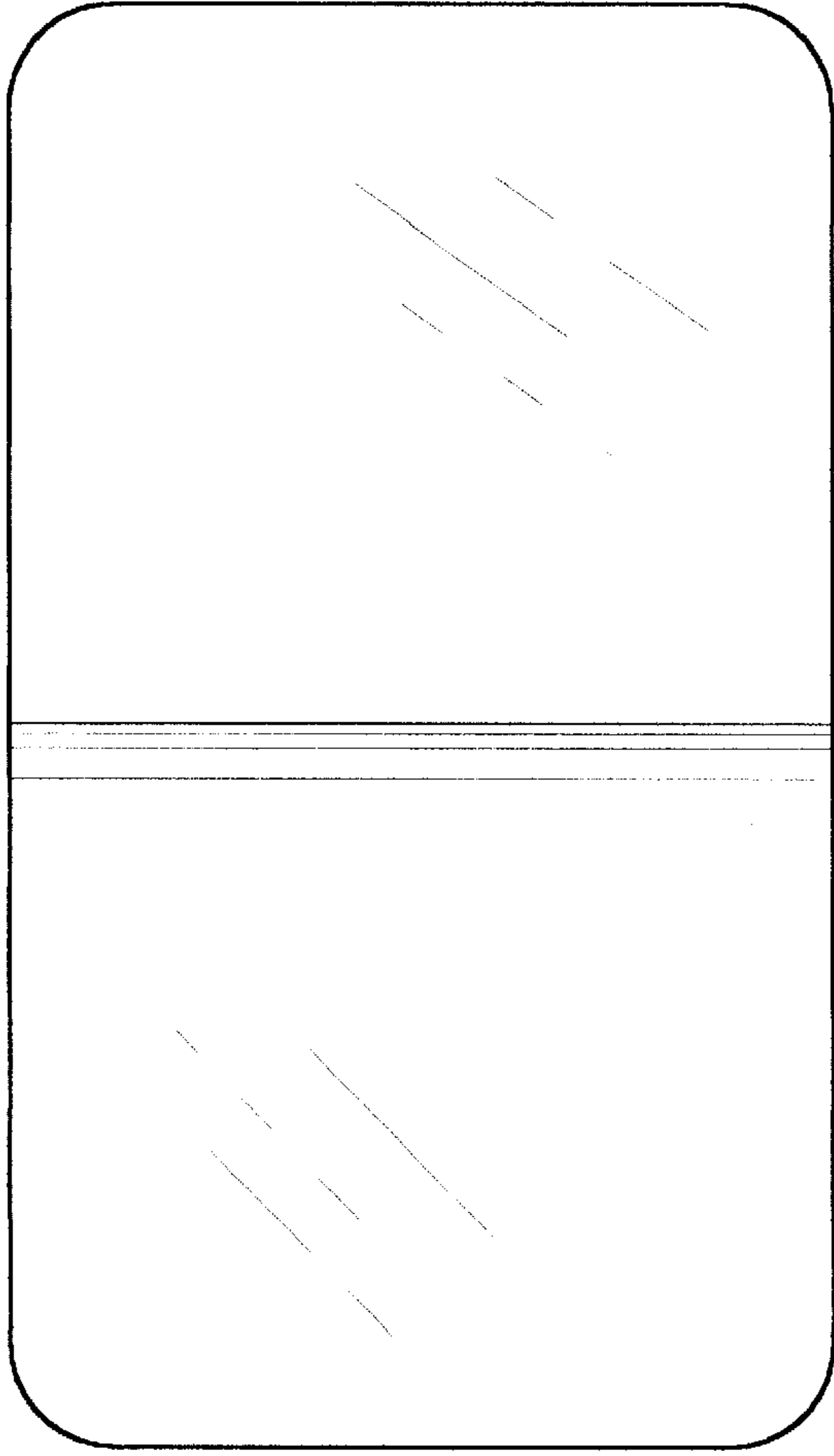


FIG. 1

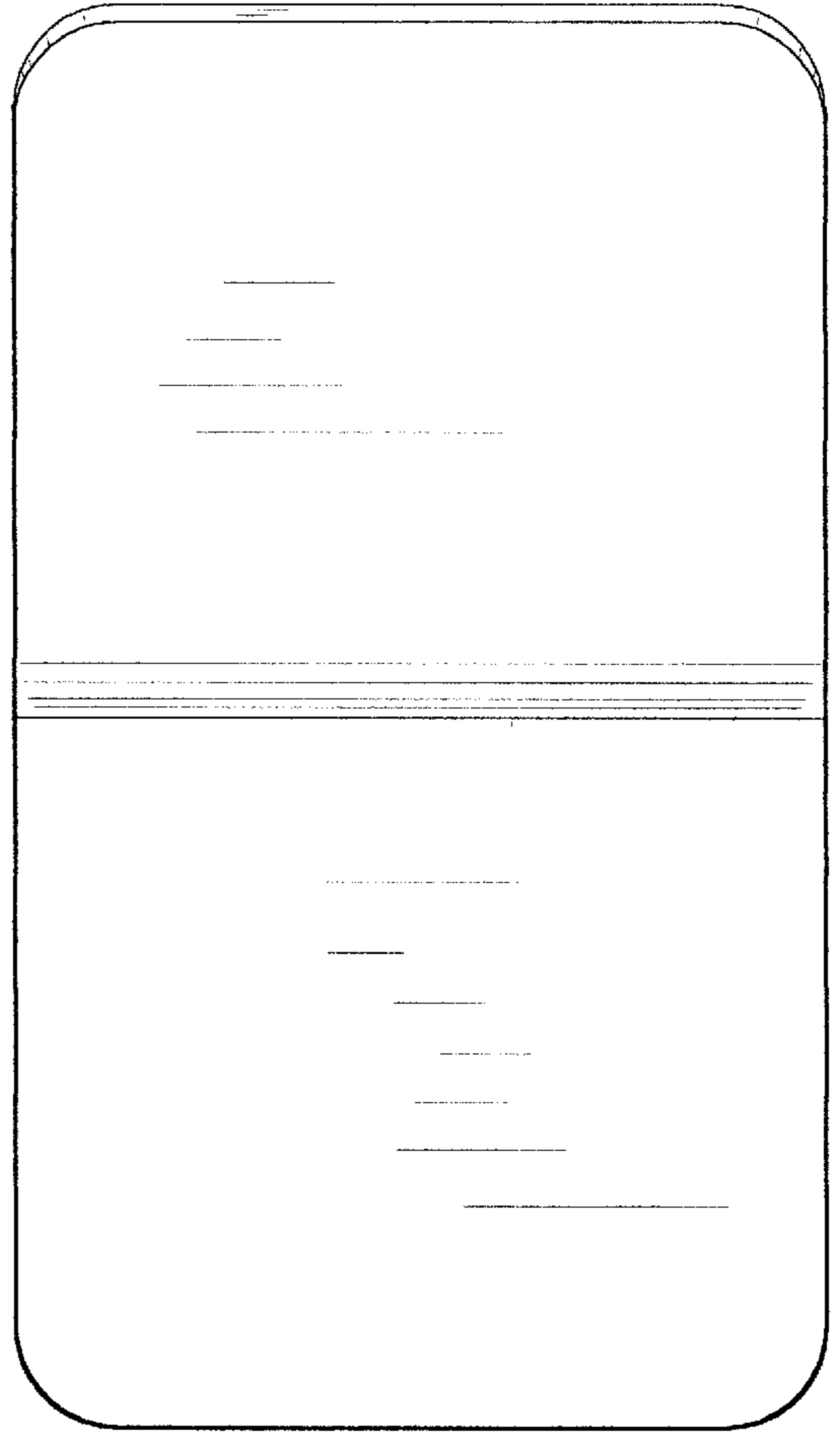


FIG. 2

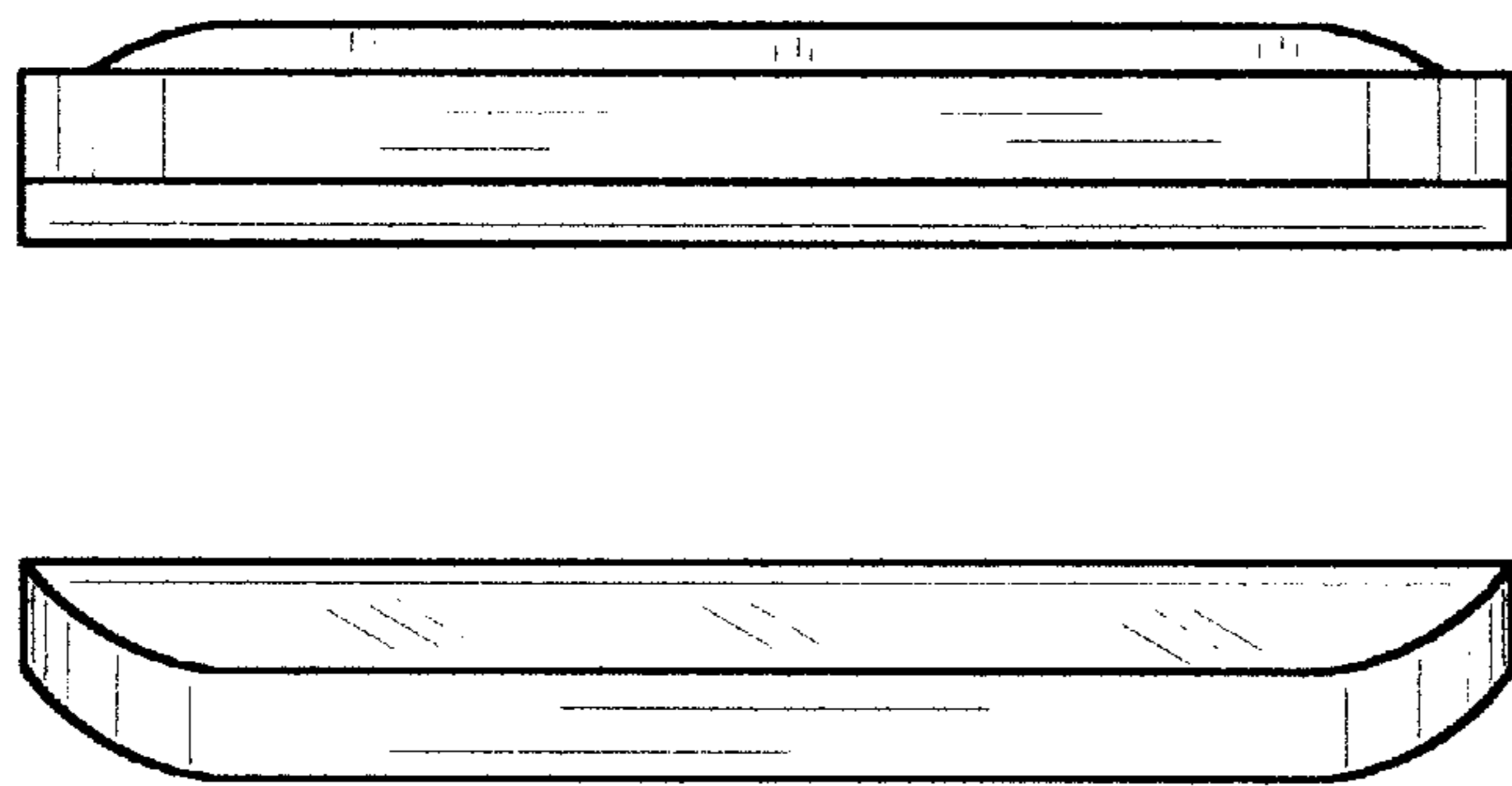


FIG. 4

FIG. 3



FIG. 5

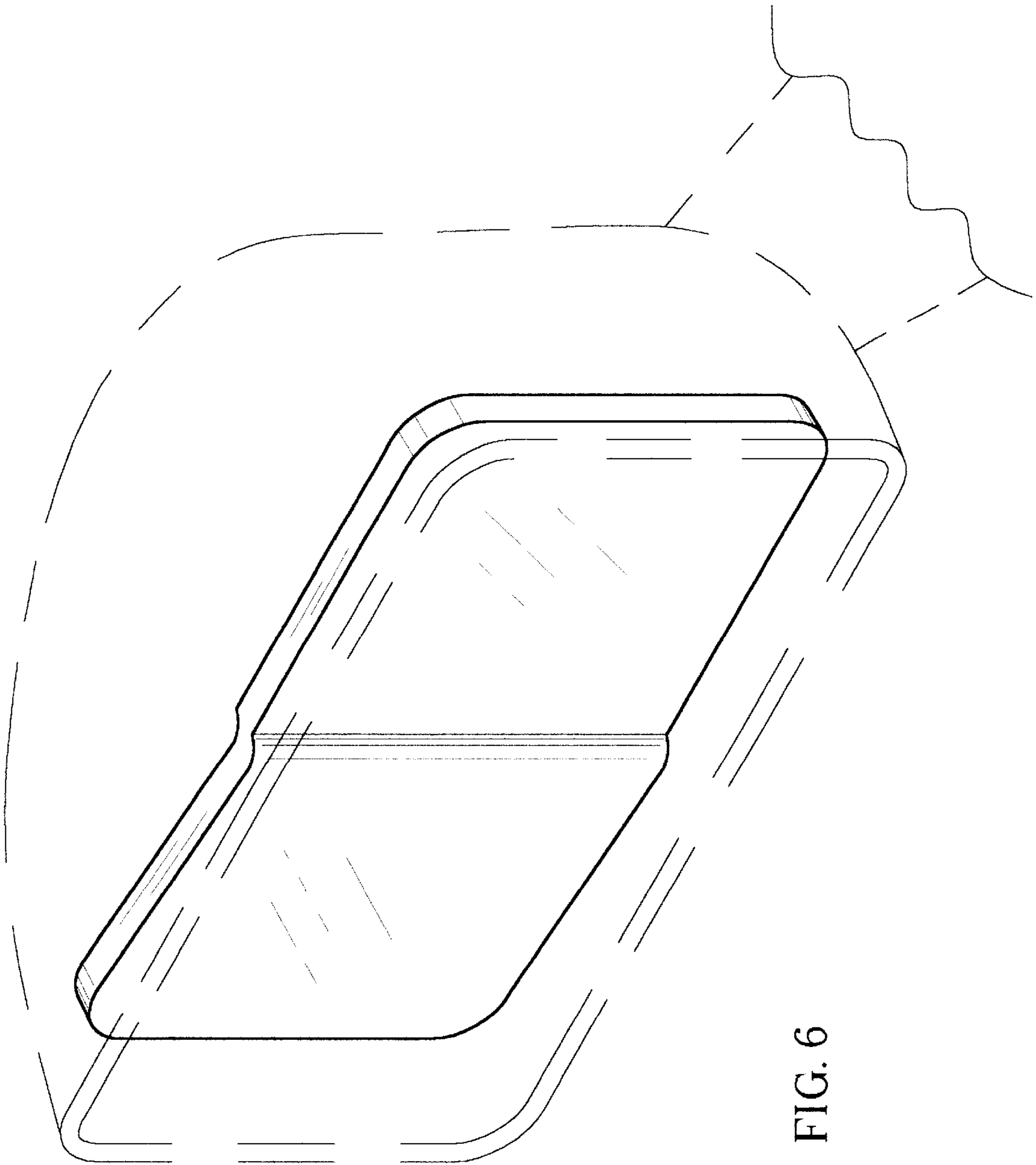


FIG. 6