



US00D460927S

(12) **United States Design Patent**
Ambar

(10) **Patent No.:** **US D460,927 S**

(45) **Date of Patent:** **** Jul. 30, 2002**

(54) **FINGER RING**

(76) **Inventor:** **Betzalel Ambar**, 15824 Woodvale Rd.,
Encino, CA (US) 91436

(**) **Term:** **14 Years**

(21) **Appl. No.:** **29/138,652**

(22) **Filed:** **Mar. 16, 2001**

(51) **LOC (7) Cl.** **11-01**

(52) **U.S. Cl.** **D11/34**

(58) **Field of Search** D11/26-39, 3;
63/15, 15.1, 15.2, 15.3, 15.4, 15.45, 15.5,
15.6, 15.65, 15.7, 15.8, 15.9, 3, 26-28

(56) **References Cited**

U.S. PATENT DOCUMENTS

D374,193 S	*	10/1996	Doustorian	D11/34
D422,527 S	*	4/2000	Pasquetti	D11/26
D431,793 S	*	10/2000	Ambar	D11/34
D432,938 S	*	10/2000	Vardakis et al.	D11/26

D445,056 S	*	7/2001	Haquet	D11/26
D446,470 S	*	8/2001	Itzkowitz	D11/26
D451,046 S	*	11/2001	Itzkowitz	D11/26
D451,423 S	*	12/2001	Ambar	D11/34
D451,424 S	*	12/2001	Ambar	D11/34

* cited by examiner

Primary Examiner—Cathy Anne MacCormac

(74) *Attorney, Agent, or Firm*—Howard C. Miskin, Esq.;
Gloria Tsui-Yip, Esq.

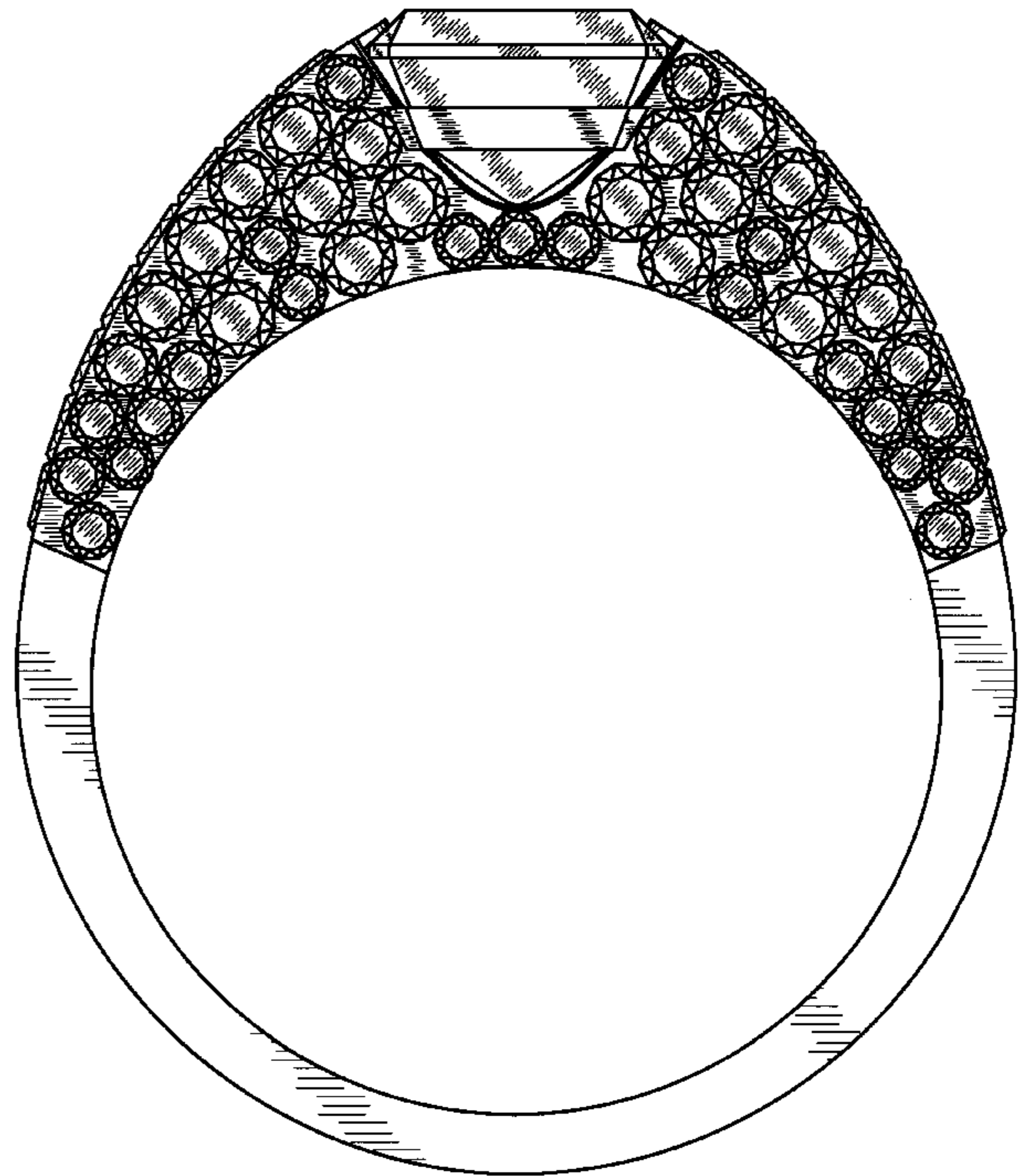
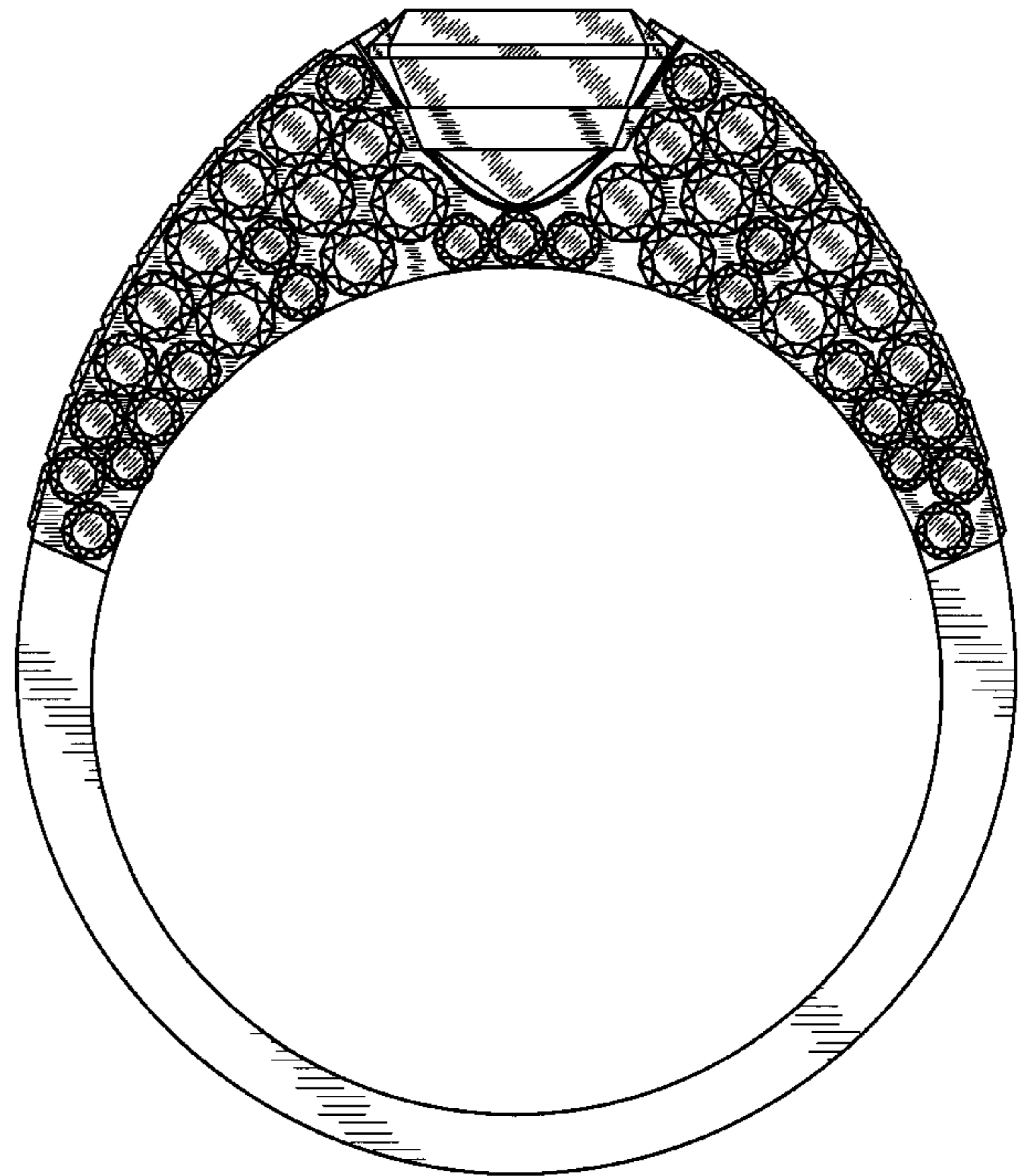
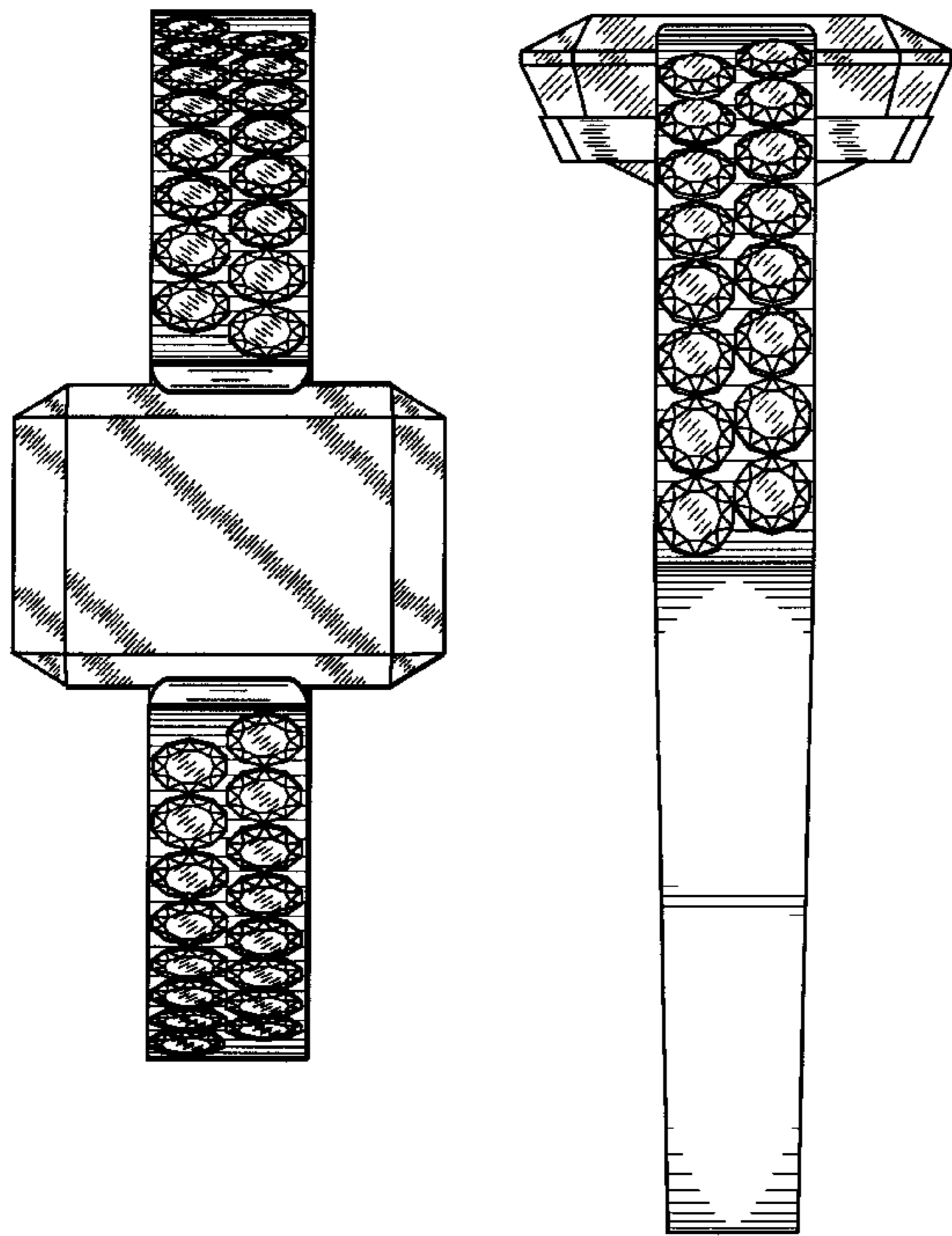
(57) **CLAIM**

The ornamental design for a finger ring, as shown and described.

DESCRIPTION

FIG. 1 is a top plan view of my new finger ring design;
FIG. 2 is a left side view, the right side being identical;
FIG. 3 is front elevational view, the rear elevational being
identical; and,
FIG. 4 is a bottom plan view thereof.

1 Claim, 3 Drawing Sheets



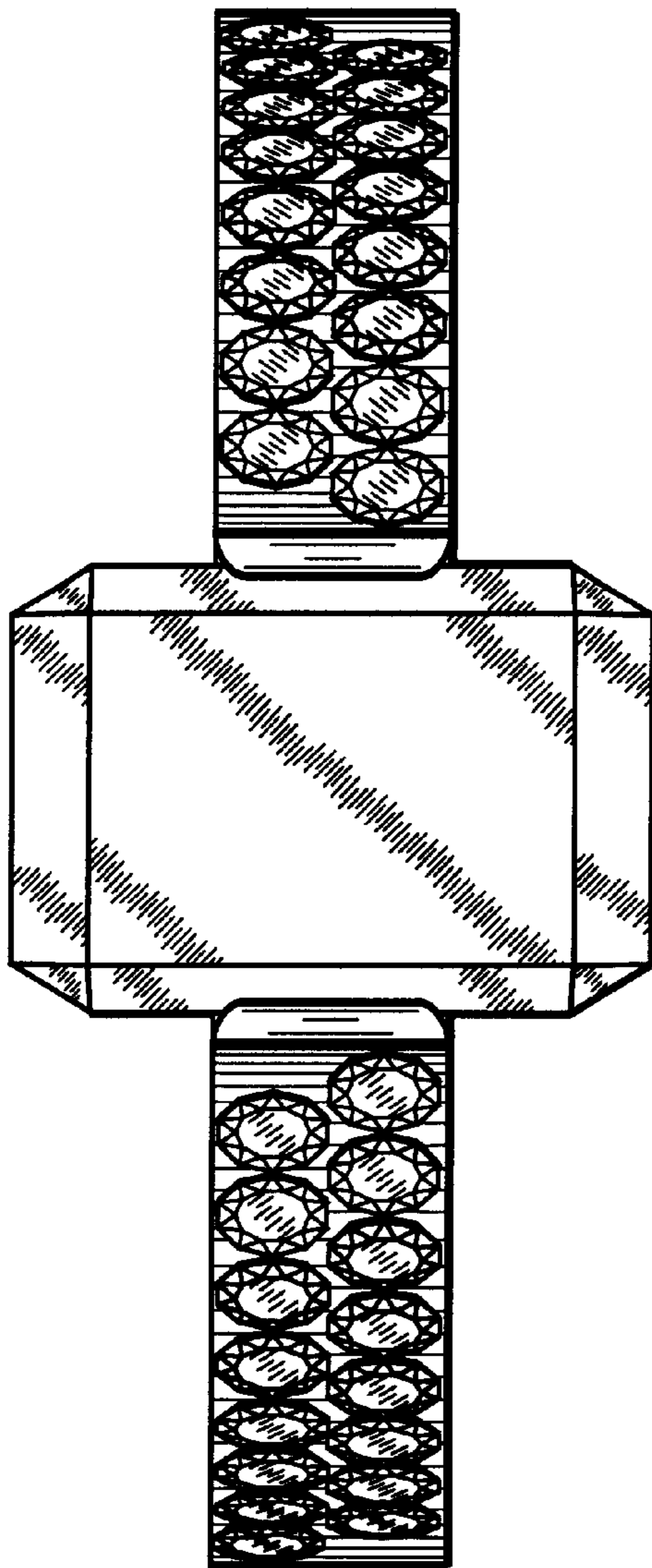


FIG. 1

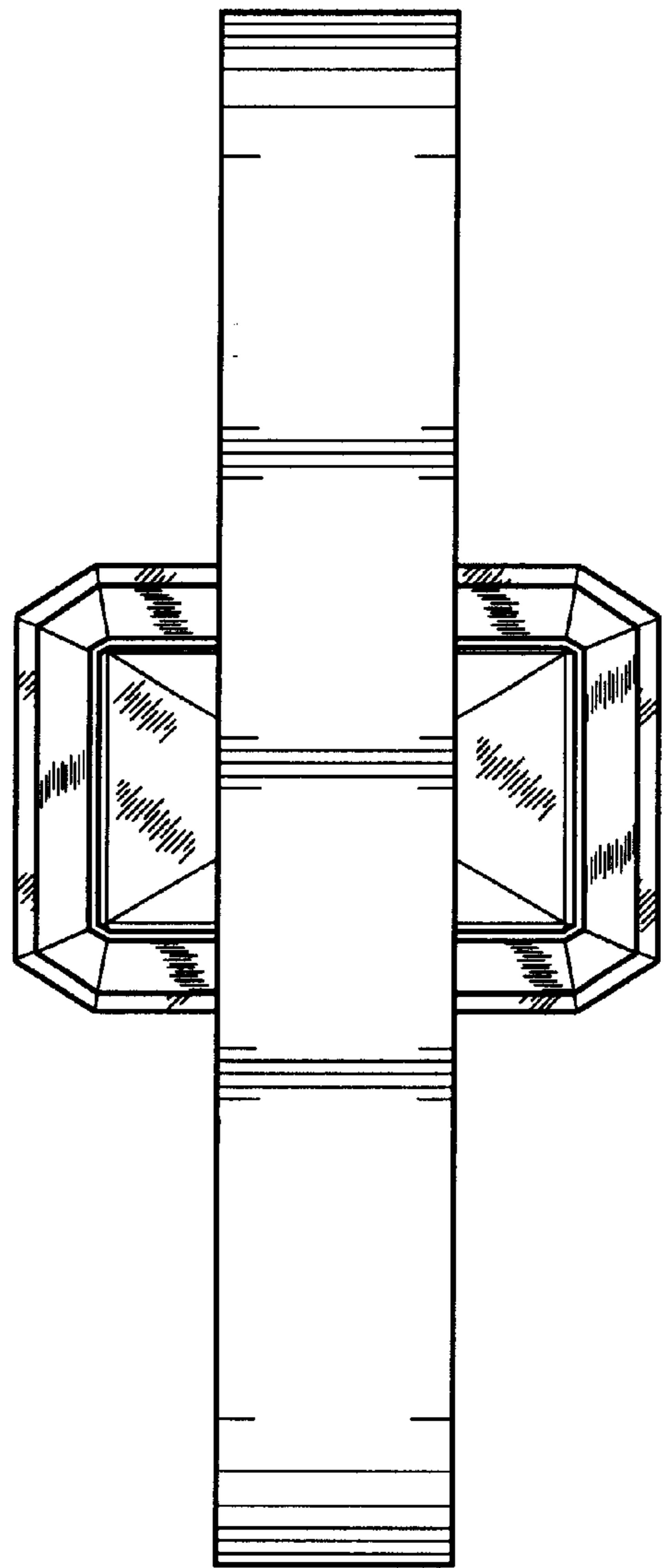


FIG. 4

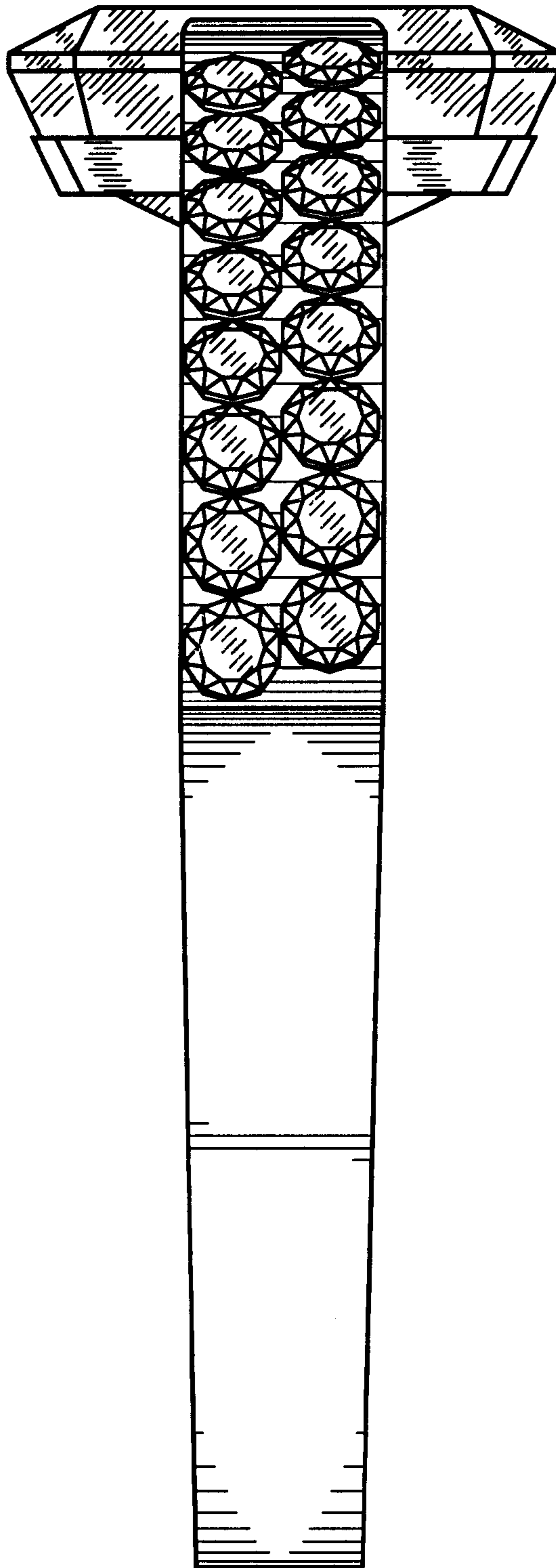


FIG. 2

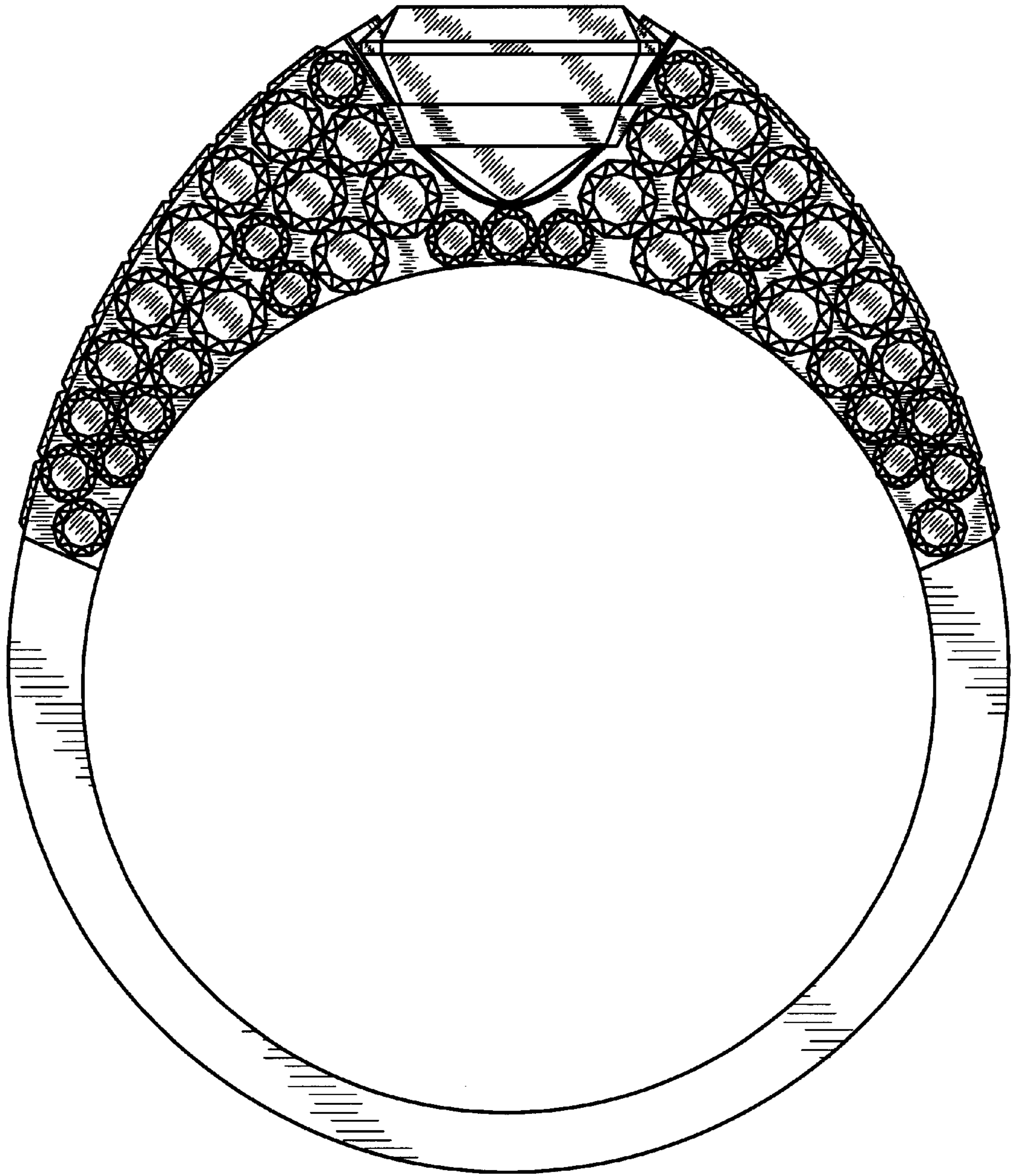


FIG. 3