



US00D460924S

(12) **United States Design Patent**
Hitchcock

(10) **Patent No.:** **US D460,924 S**

(45) **Date of Patent:** **** Jul. 30, 2002**

(54) **MULTI-FUNCTION LAYOUT SQUARE WITH LASER, LEVEL AND COMPASS**

DESCRIPTION

(76) Inventor: **James N. Hitchcock**, 16202 Sky Blue La., Houston, TX (US) 77095

(**) Term: **14 Years**

(21) Appl. No.: **29/146,510**

(22) Filed: **Aug. 10, 2001**

(51) **LOC (7) Cl.** **10-04**

(52) **U.S. Cl.** **D10/62**

(58) **Field of Search** D10/62, 64, 65, D10/68, 72; 33/27.01-27.033, 365-377, 451, 482, 483-484

(56) **References Cited**

U.S. PATENT DOCUMENTS

D312,795 S * 12/1990 Fugett D10/62

D428,348 S * 7/2000 Hatfield et al. D10/62

* cited by examiner

Primary Examiner—Antoine Duval Davis

(74) *Attorney, Agent, or Firm*—Kenneth A. Roddy

(57) **CLAIM**

The ornamental design for a multi-function layout square with laser, level and compass, as shown and described.

FIG. 1 is a perspective view of a first embodiment of a multi-function layout square with laser, level and compass showing my new design from the top, front end, and one side;

FIG. 2 is a perspective view thereof, shown from the bottom, back end, and side opposite that shown in FIG. 1;

FIG. 3 is a perspective view of a second embodiment of the multi-function layout square with laser, level and compass showing my new design from the top, front end, and one side;

FIG. 4 is a perspective view thereof, shown from the bottom, back end, and side opposite that shown in FIG. 3;

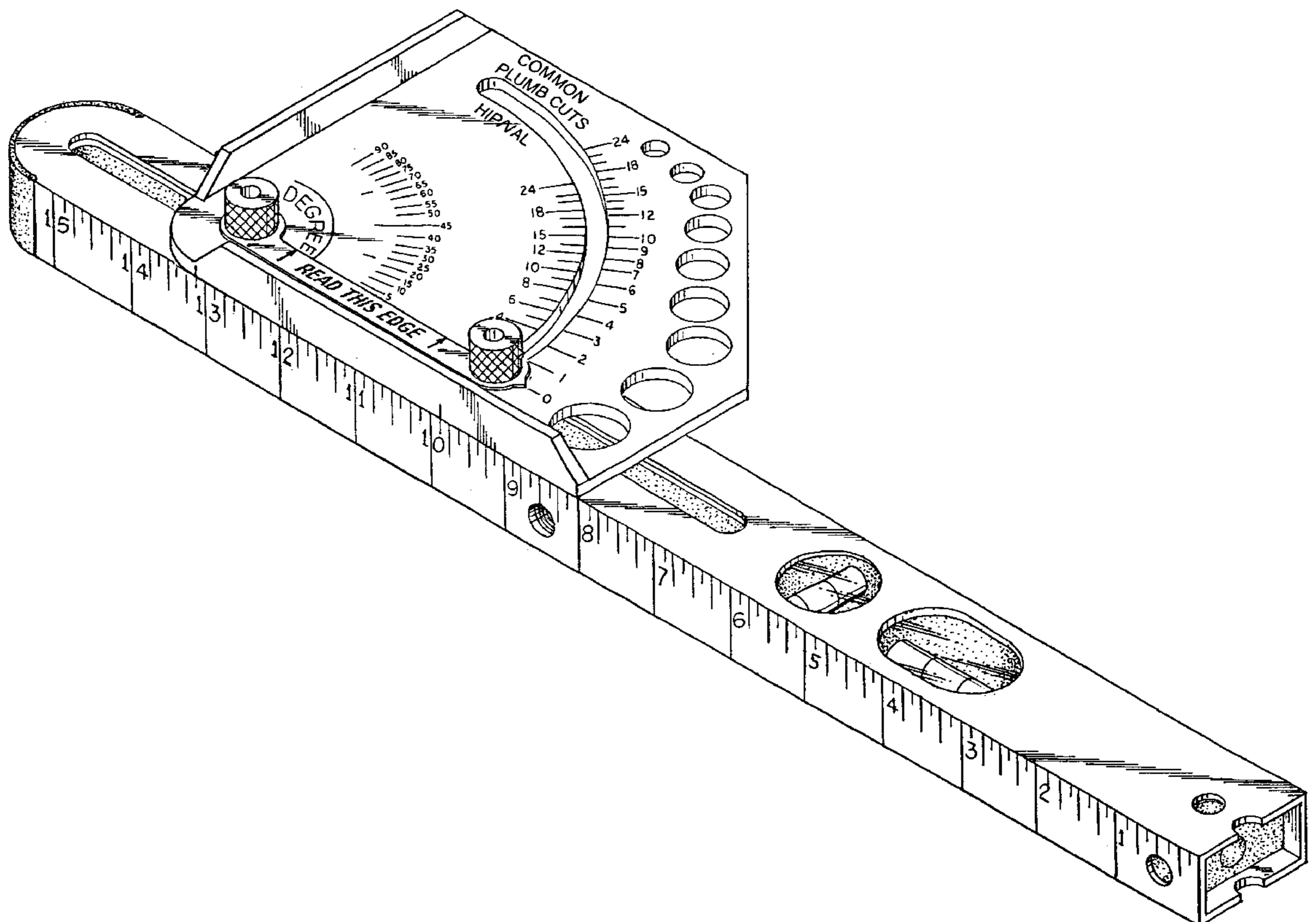
FIG. 5 is a perspective view of a third embodiment of the multi-function layout square with laser, level and compass showing my new design from the top, front end, and one side;

FIG. 6 is a perspective view thereof, shown from the bottom, back end, and side opposite that shown in FIG. 5;

FIG. 7 is a perspective view of a fourth embodiment of the multi-function layout square with laser; level and compass showing my new design from the top, front end, and one side; and,

FIG. 8 is a perspective view thereof, shown from the bottom, back end, and side opposite that shown in FIG. 7.

1 Claim, 8 Drawing Sheets



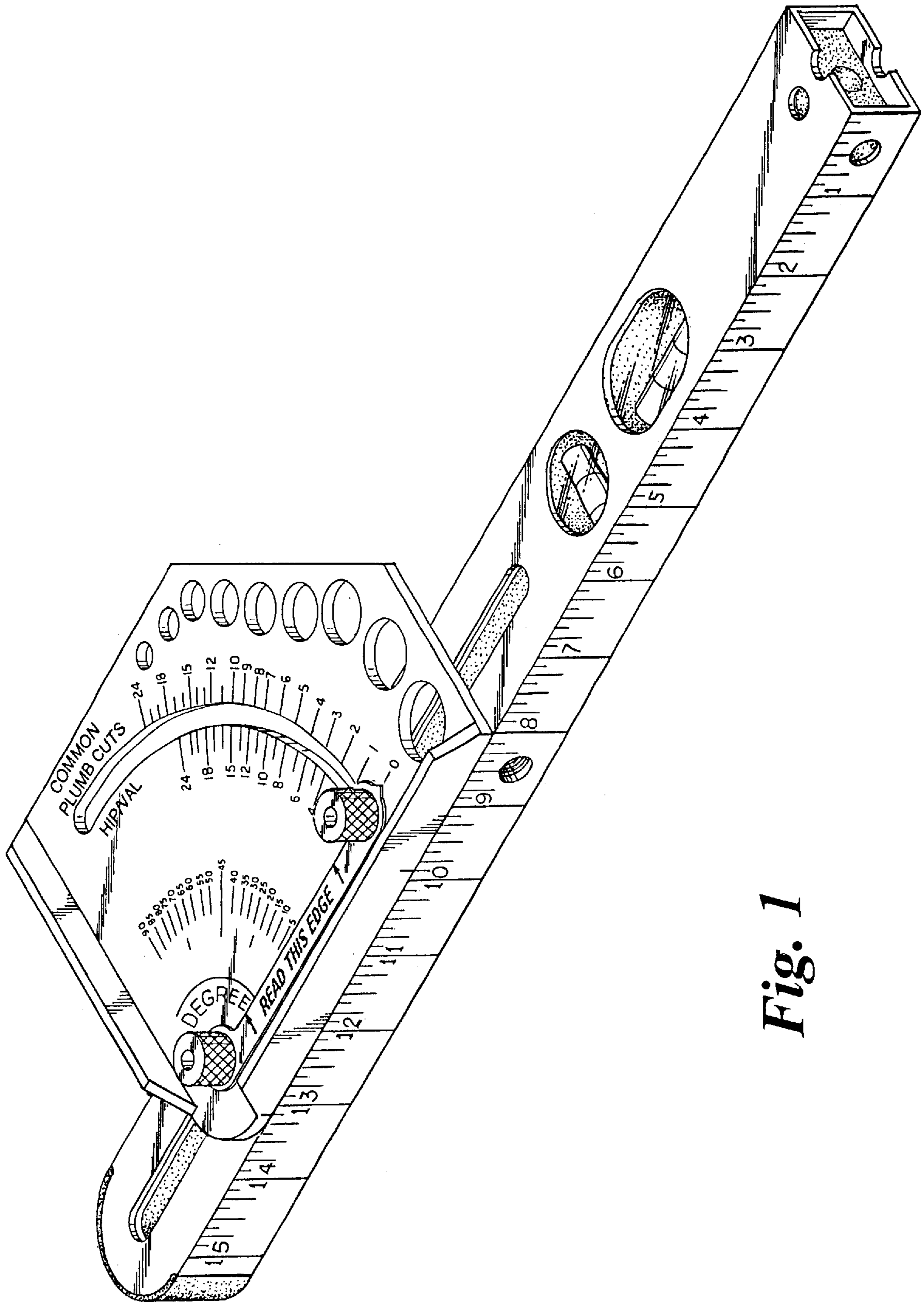


Fig. 1

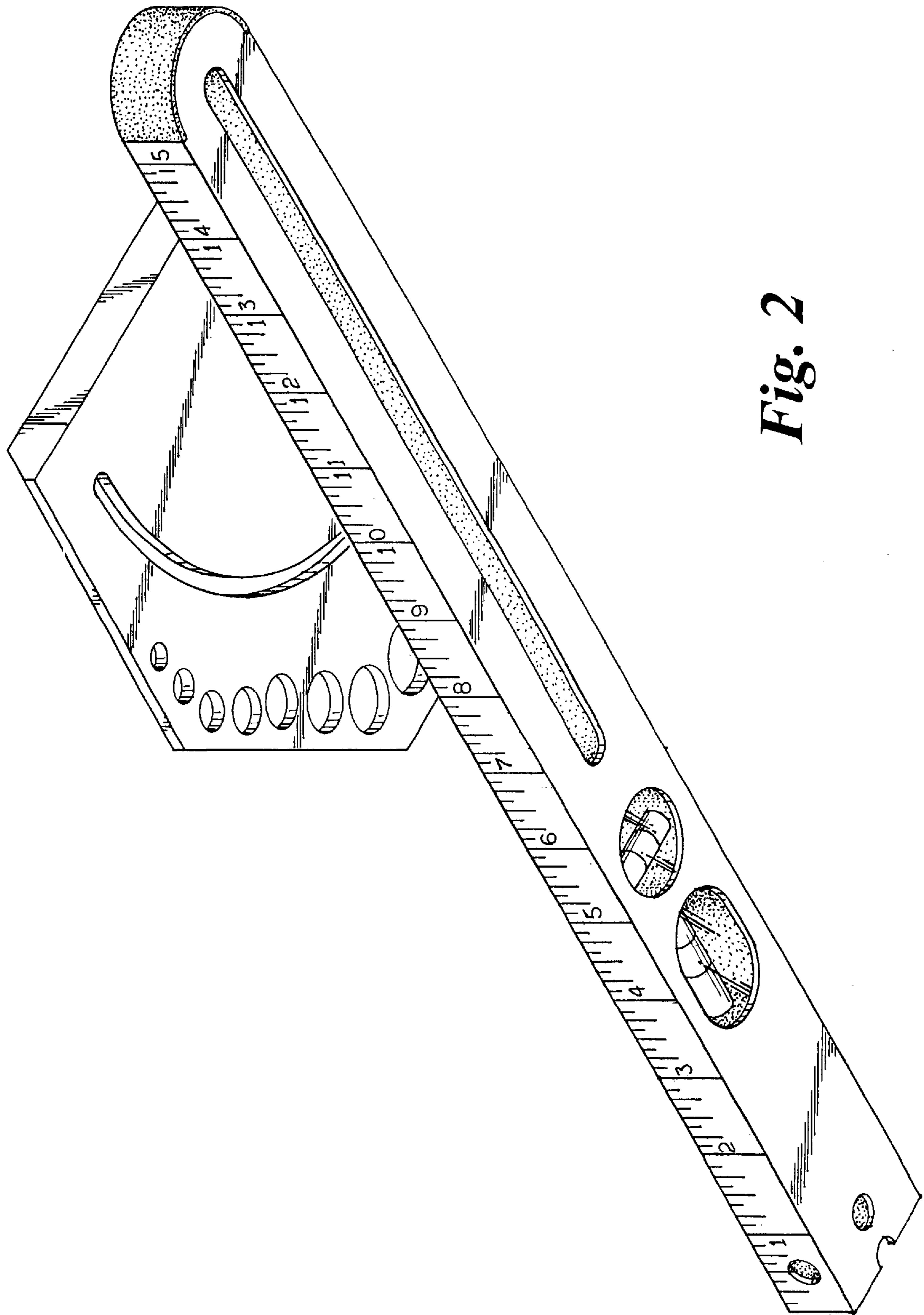


Fig. 2

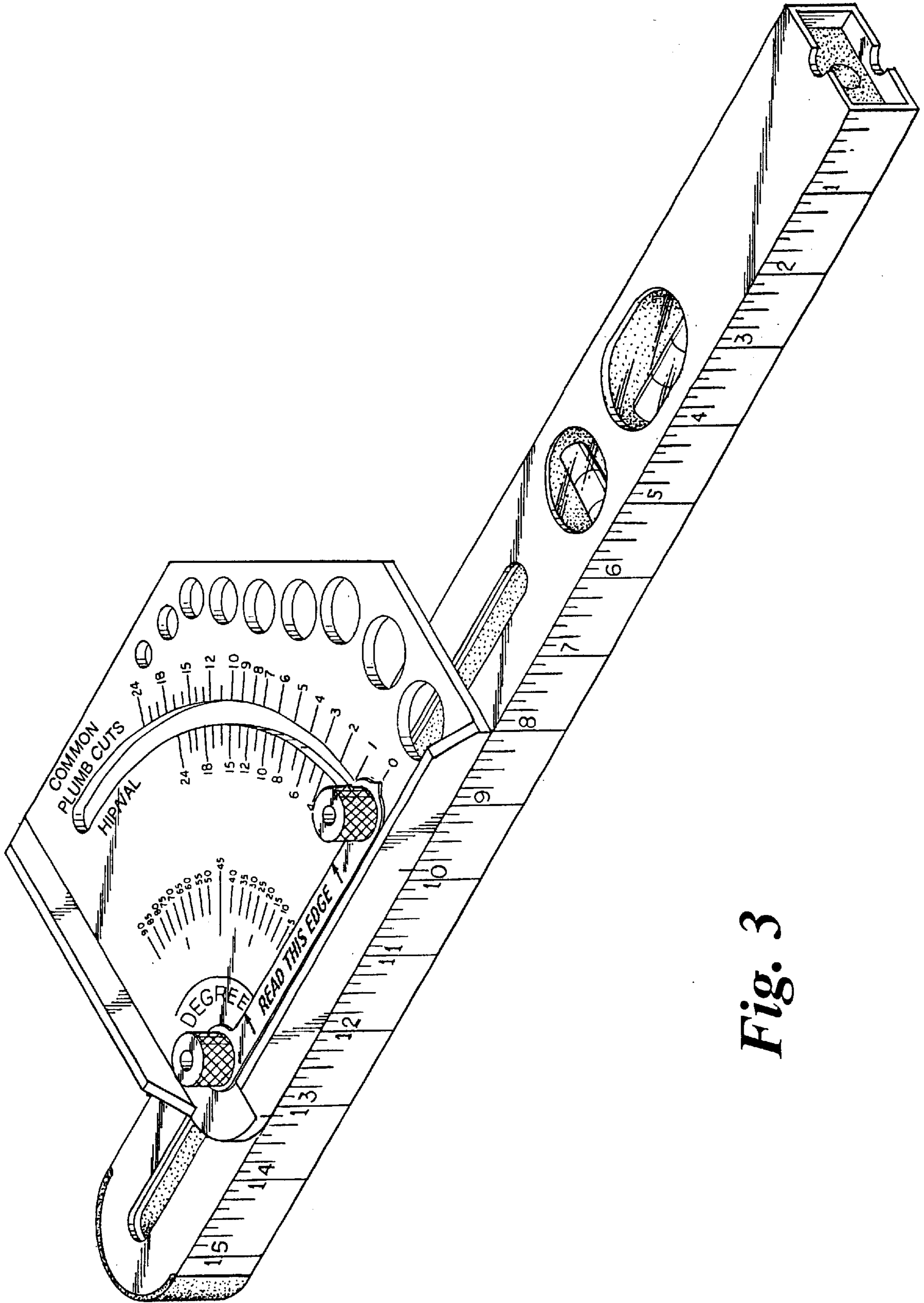


Fig. 3

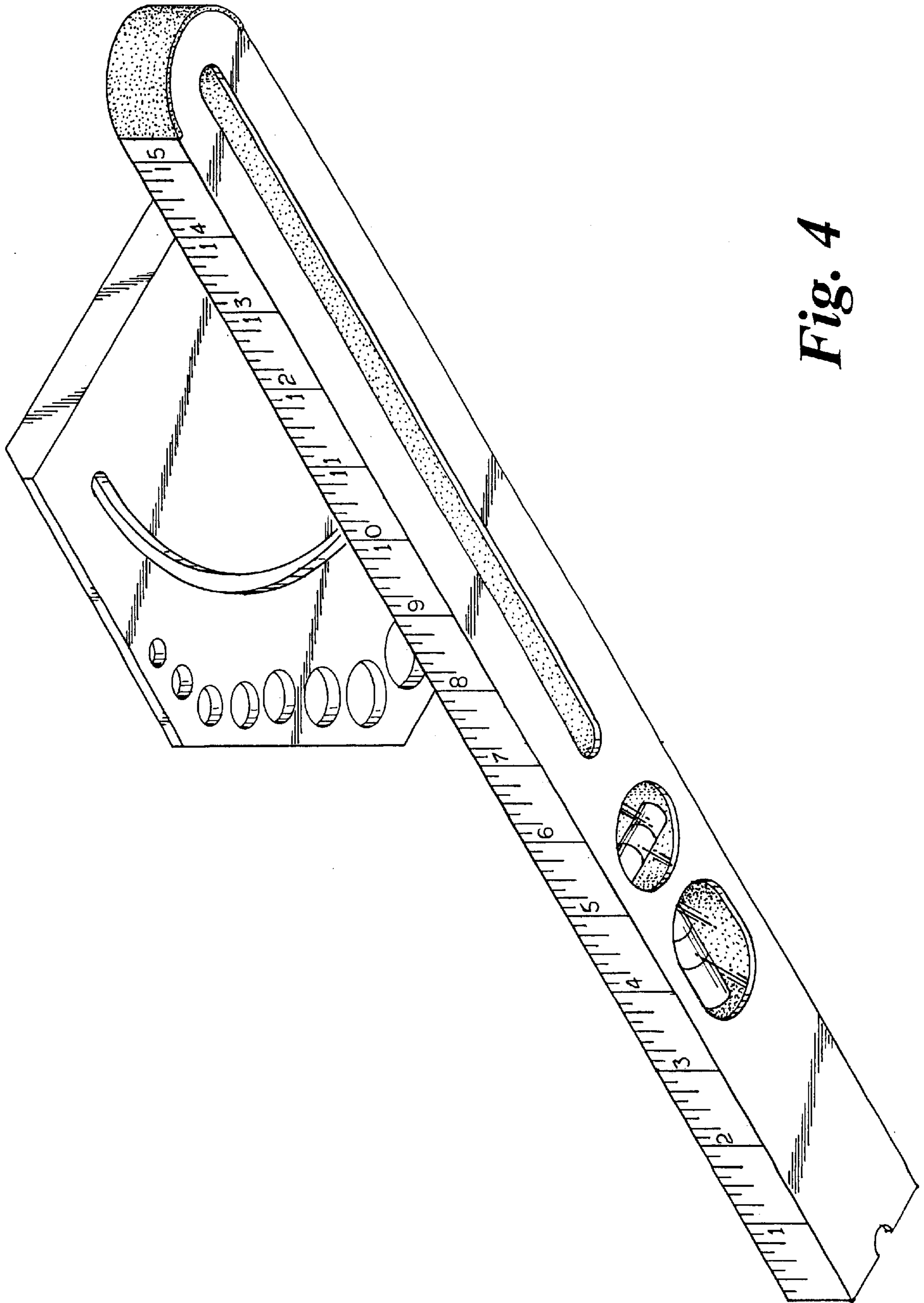


Fig. 4

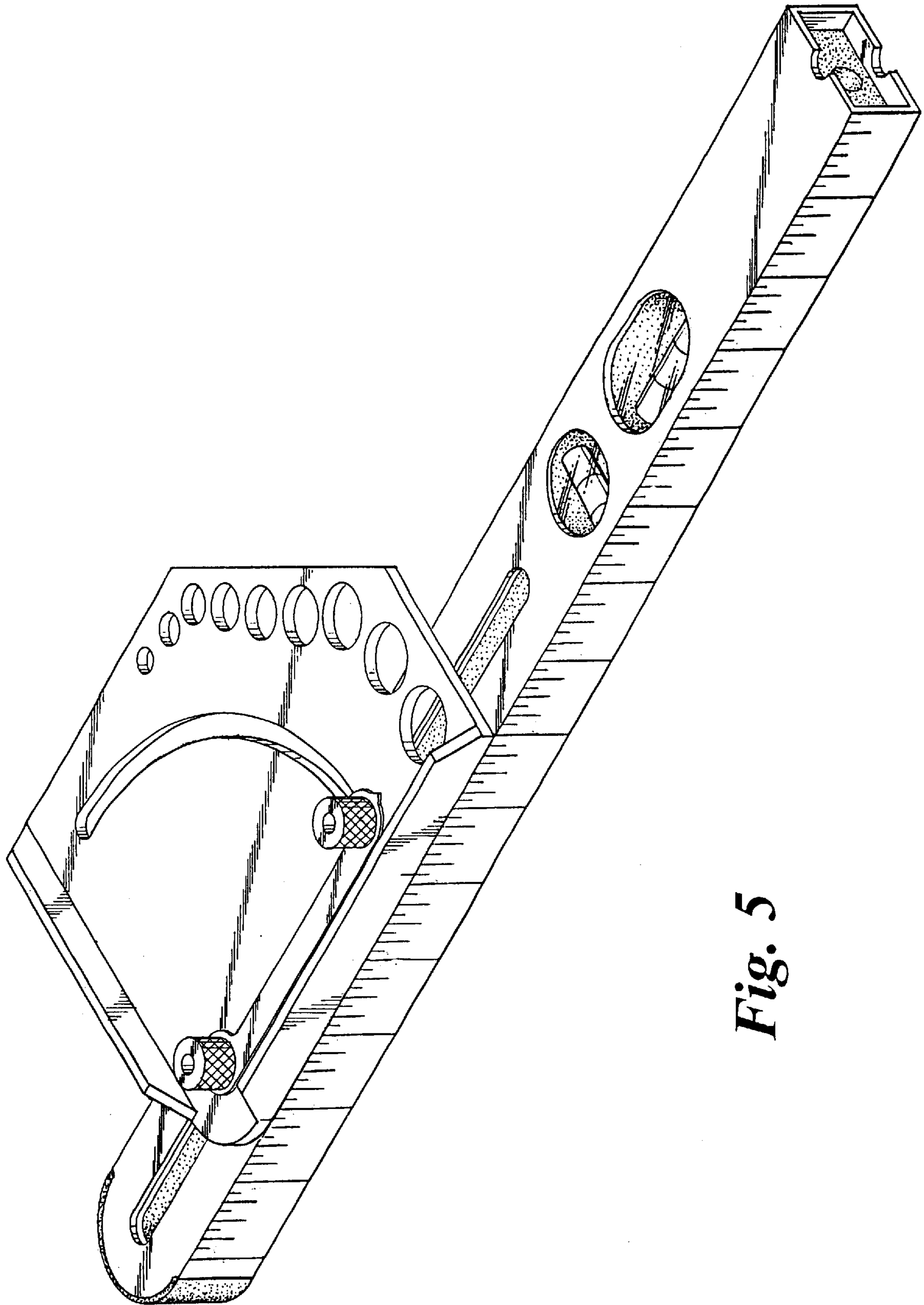


Fig. 5

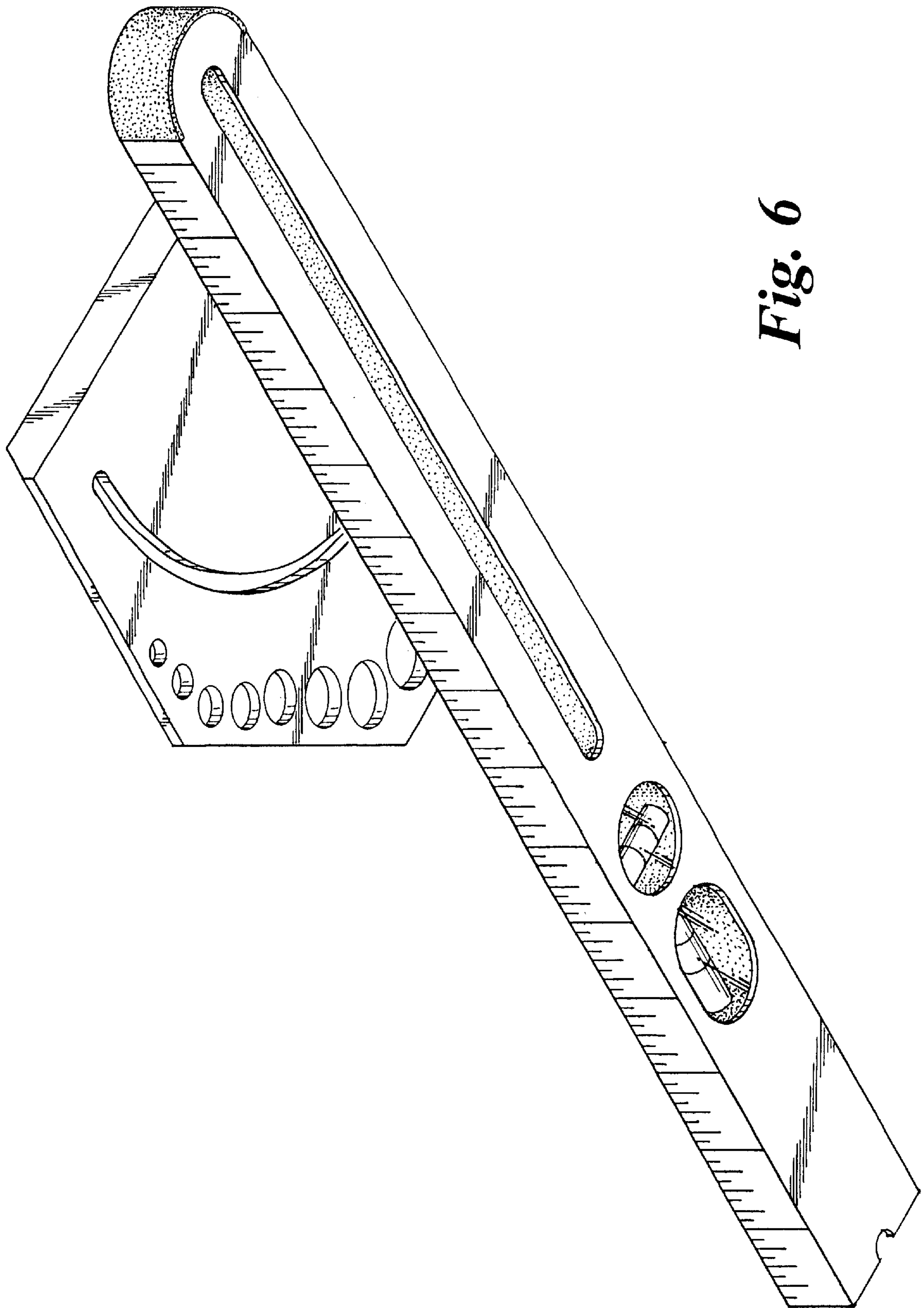


Fig. 6

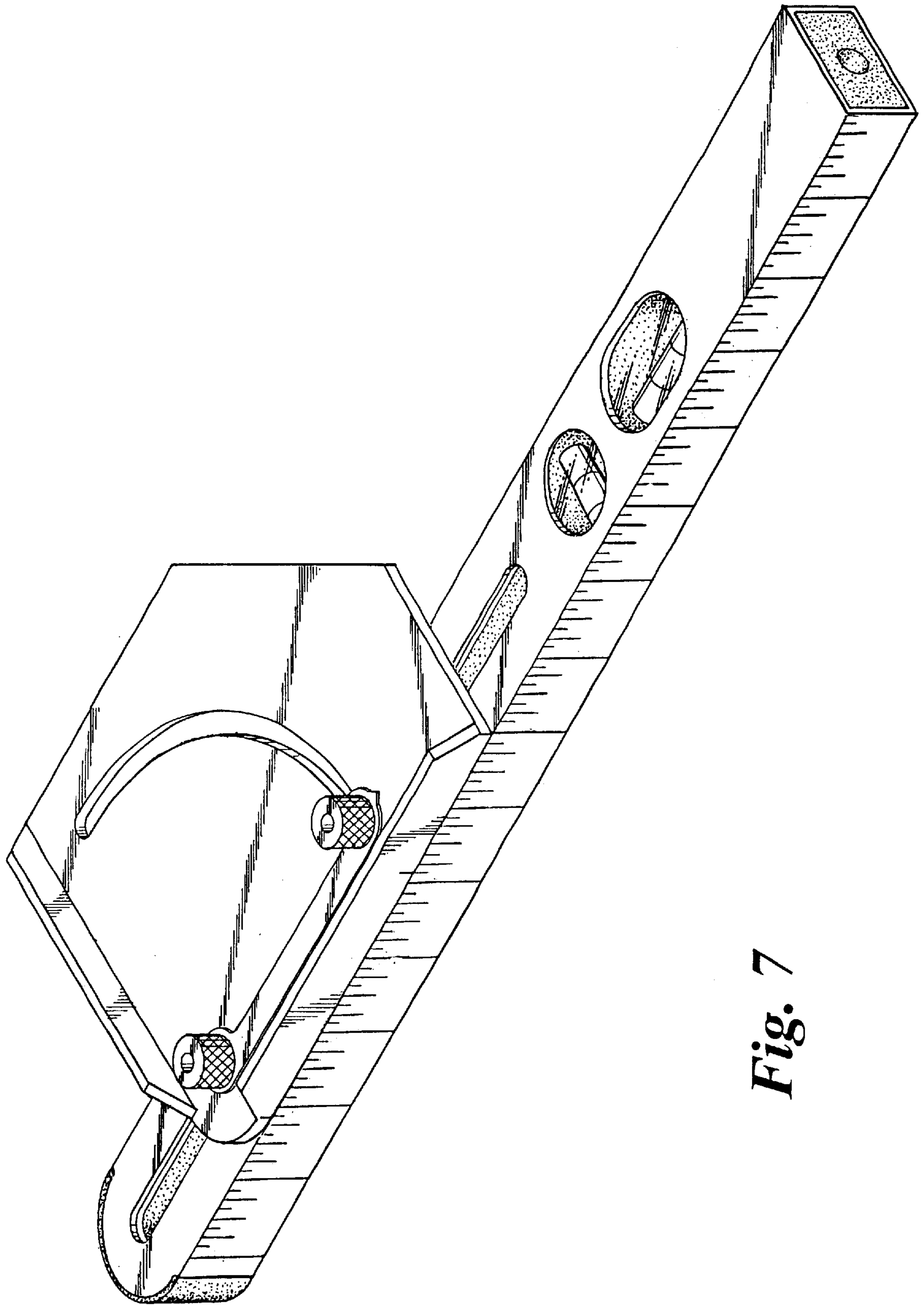


Fig. 7

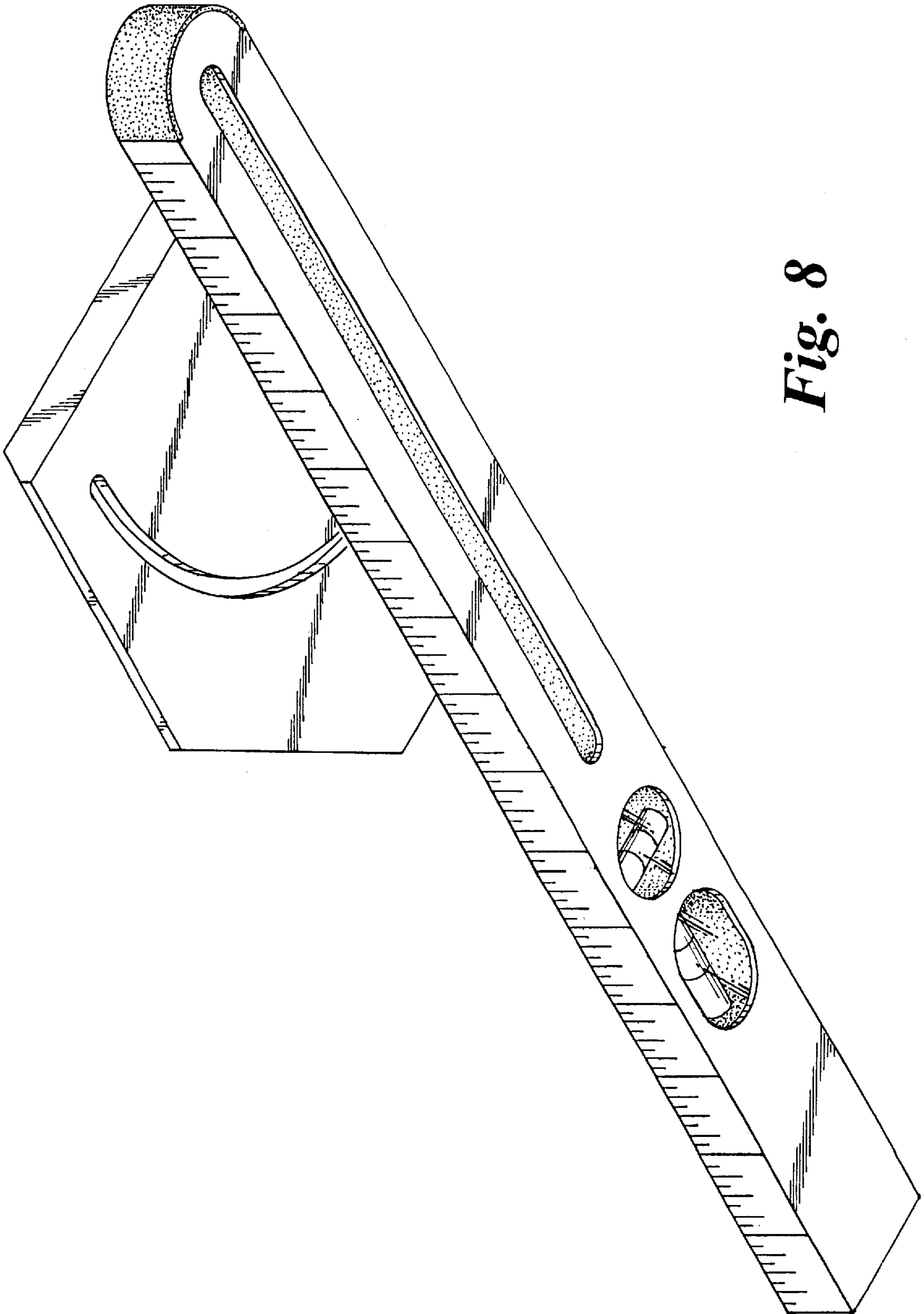


Fig. 8