



US00D460923S

(12) **United States Design Patent**
Chen

(10) **Patent No.:** **US D460,923 S**

(45) **Date of Patent:** **** Jul. 30, 2002**

(54) **COMBINED TEMPERATURE AND HUMIDITY INDICATOR**

6,234,006 B1 * 5/2001 Sunshine et al. 73/29.01

* cited by examiner

(76) **Inventor:** **Li-Chuan Chen**, 7th Fl., No. 31, Lane 513, Ruikwang Rd., Taipei (TW)

Primary Examiner—Antoine Duval Davis

(74) *Attorney, Agent, or Firm*—Dellett and Walters

(**) **Term:** **14 Years**

(57) **CLAIM**

(21) **Appl. No.:** **29/152,091**

The ornamental design for a combined temperature and humidity indicator, as shown and described.

(22) **Filed:** **Dec. 13, 2001**

DESCRIPTION

(51) **LOC (7) Cl.** **10-04**

(52) **U.S. Cl.** **D10/52; D10/57**

(58) **Field of Search** D10/52, 53, 57; 73/29.01, 29.02, 335.01–335.09, 73–77, 170.16, 431; 324/163, 170, 171, 208

FIG. 1 is a perspective view of a combined temperature and humidity indicator, showing my new design;

FIG. 2 is a front elevational view thereof;

FIG. 3 is a rear elevational view thereof;

FIG. 4 is a left elevational view thereof;

FIG. 5 is a right elevational view thereof;

FIG. 6 is top plan view thereof; and,

FIG. 7 is a bottom plan view thereof.

(56) **References Cited**

U.S. PATENT DOCUMENTS

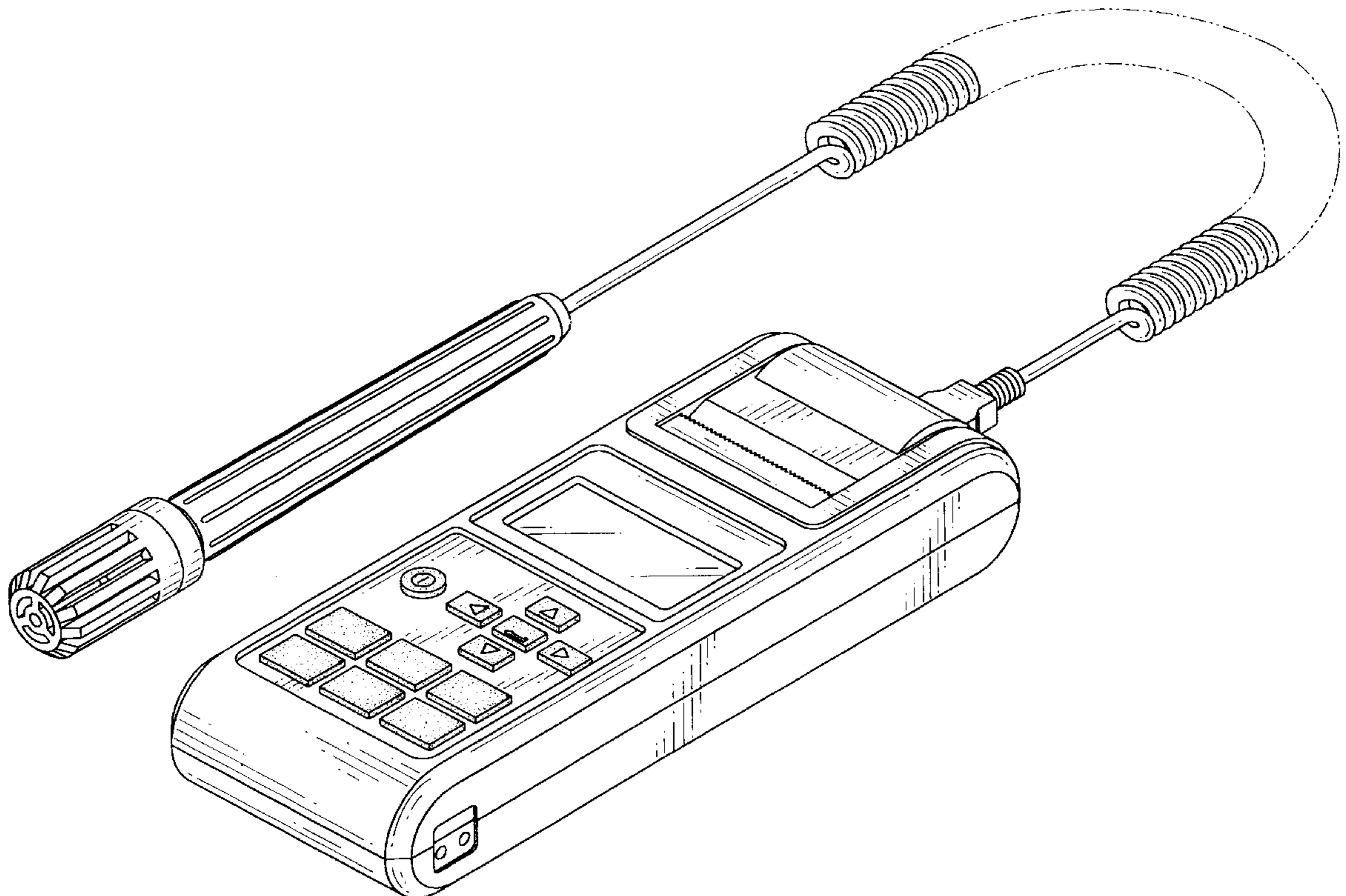
D314,155 S * 1/1991 Tolvonen D10/52

D378,900 S * 4/1997 de Sleyes et al. D10/52

D400,806 S * 11/1998 Tillack D10/52

Portions of the cord member have been eliminated for ease of illustration in the drawing.

1 Claim, 5 Drawing Sheets



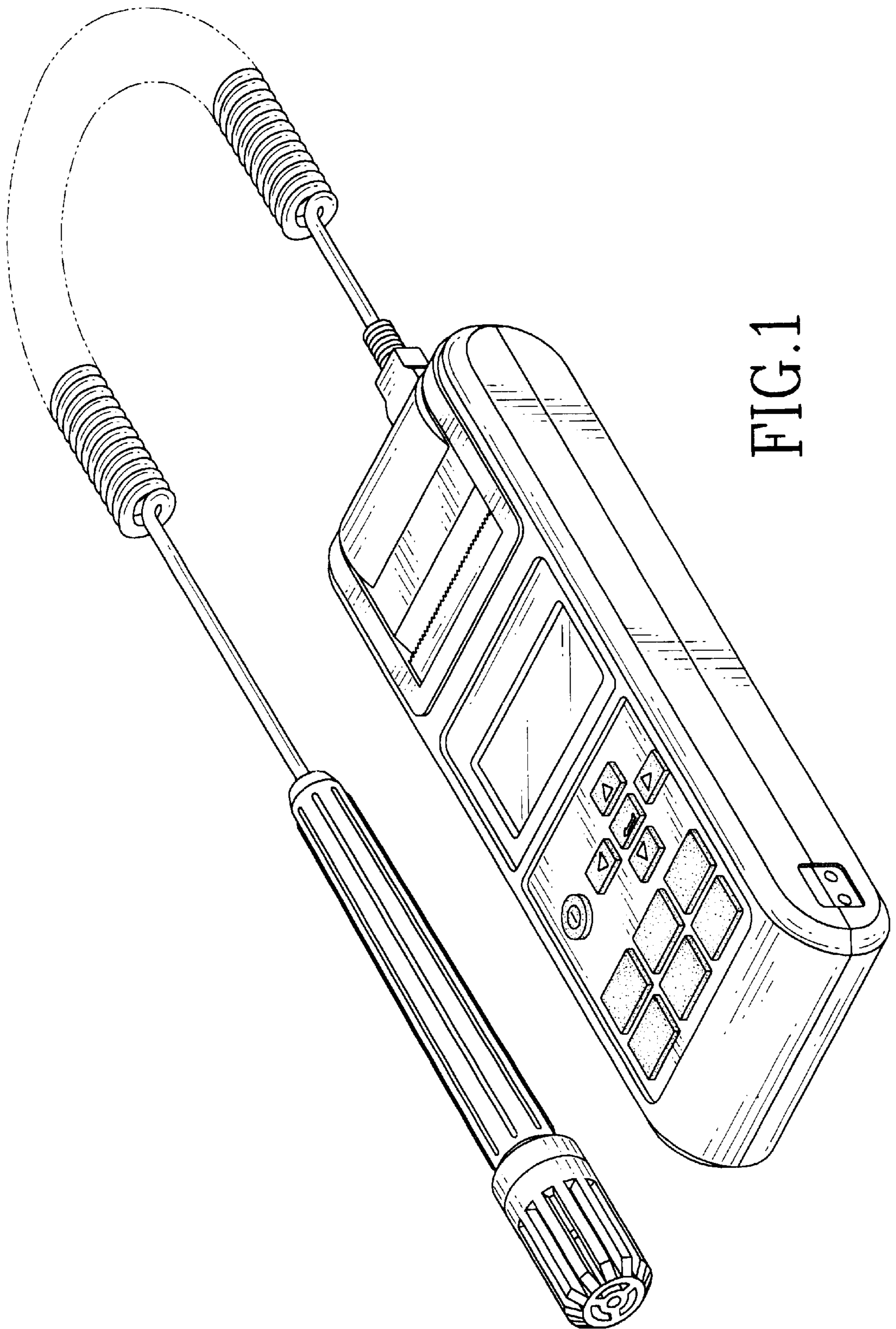


FIG. 1

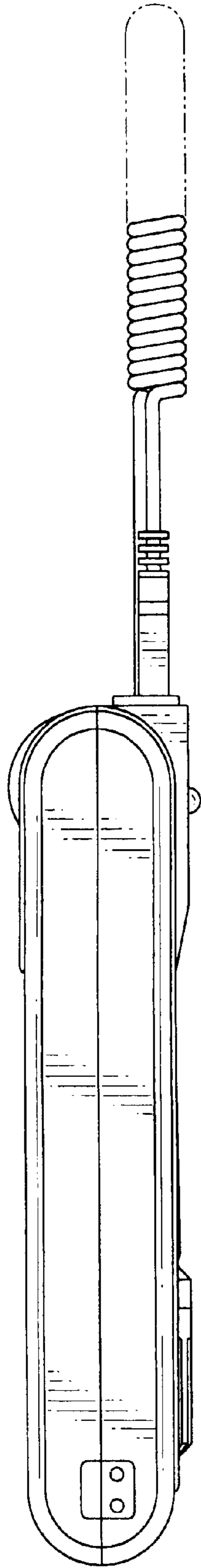


FIG. 2

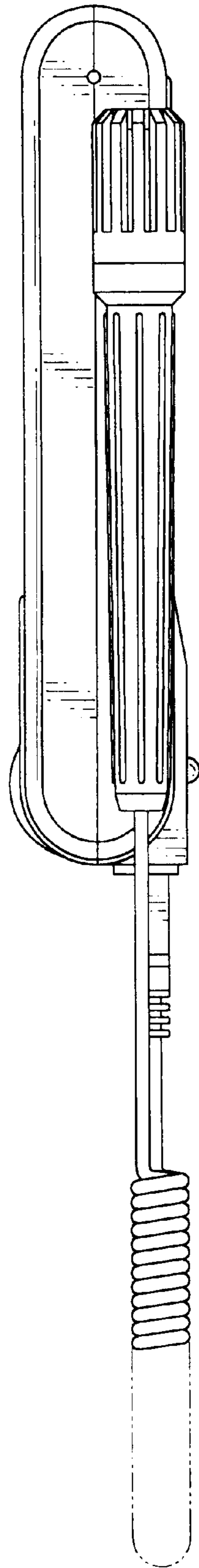


FIG. 3

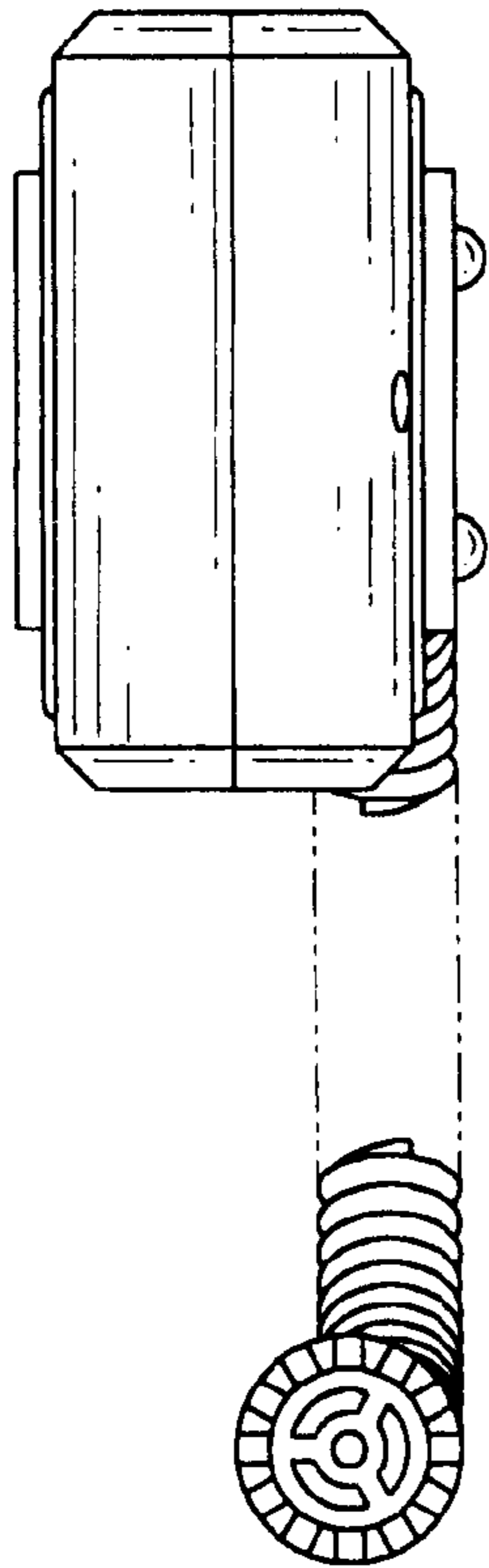


FIG. 4

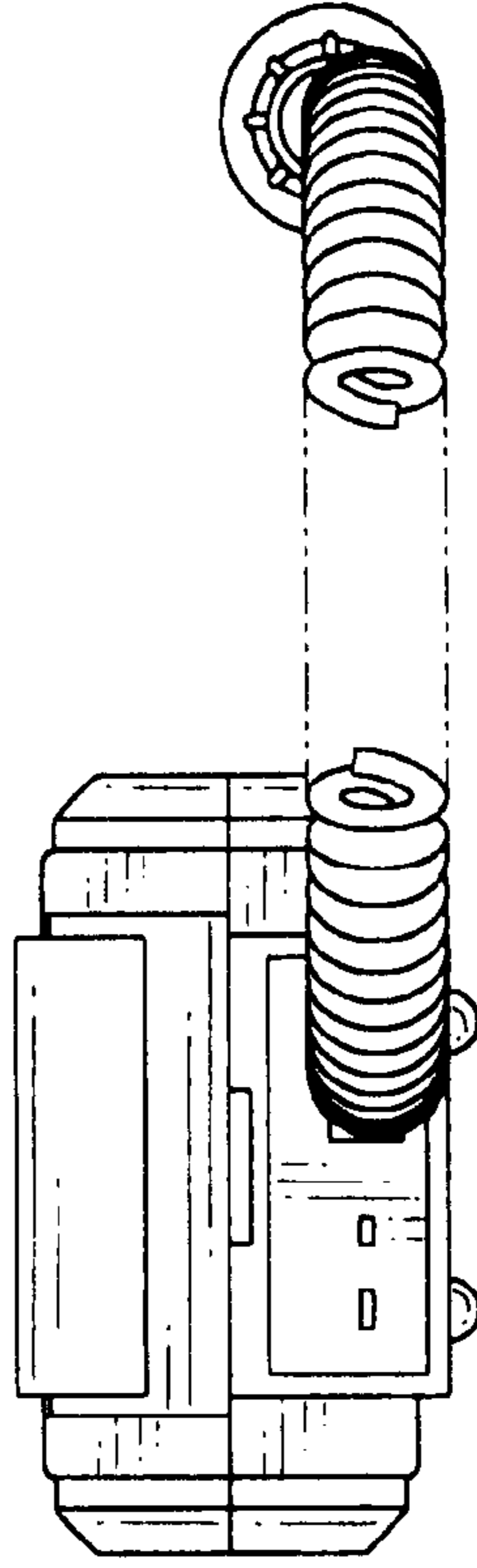


FIG. 5

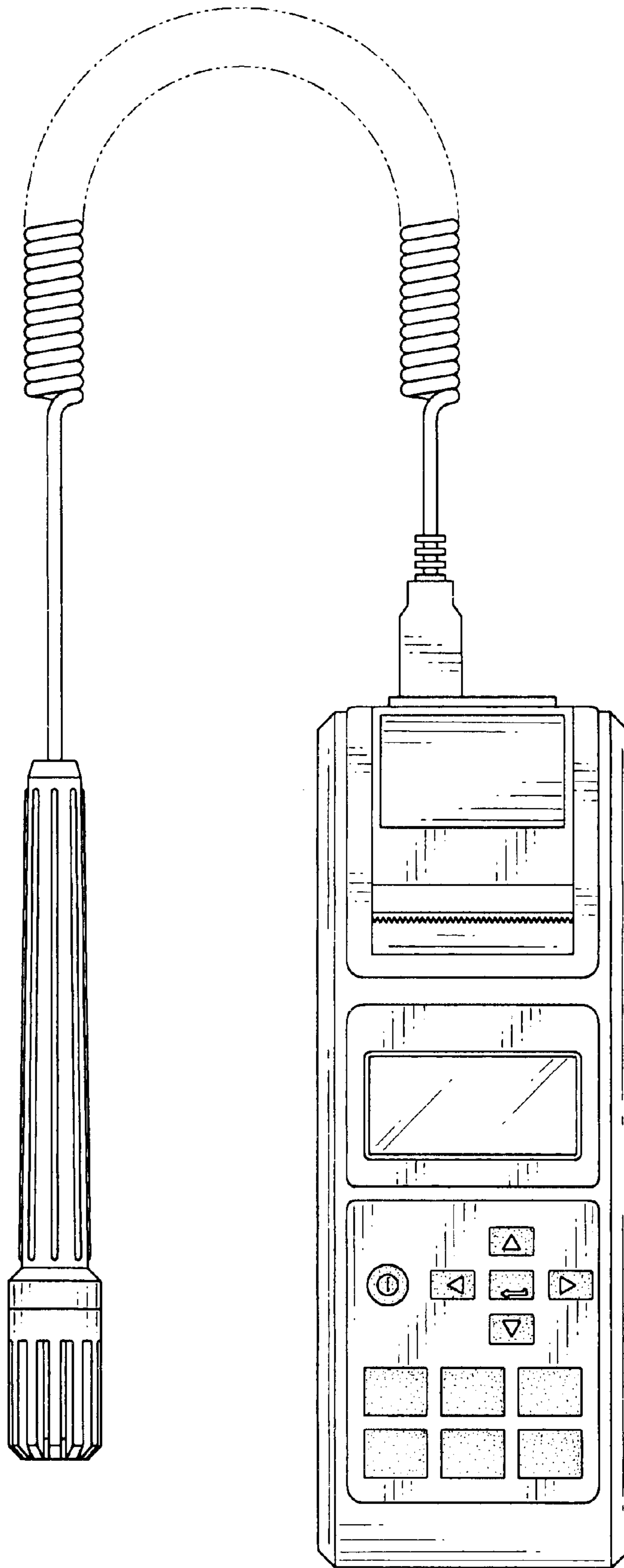


FIG. 6

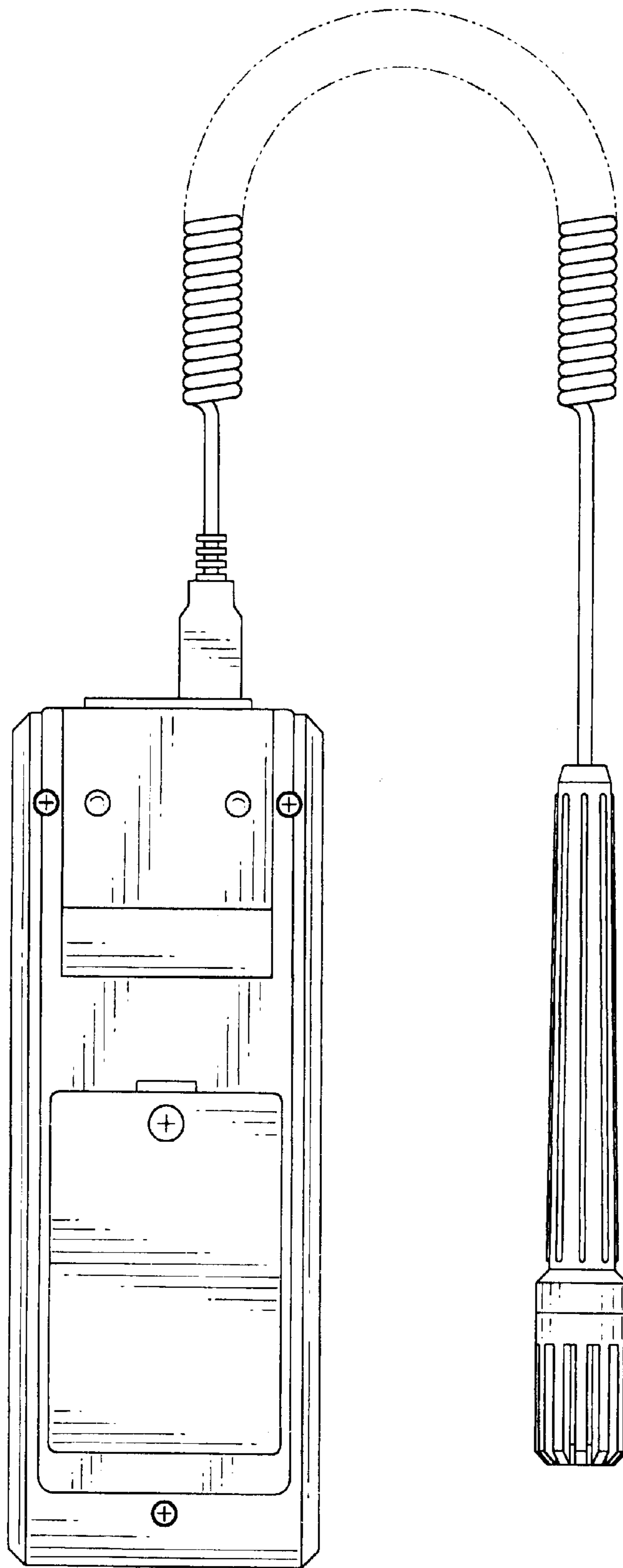


FIG. 7