



US00D460920S

(12) **United States Design Patent**
Kalman

(10) **Patent No.:** **US D460,920 S**

(45) **Date of Patent:** **** Jul. 30, 2002**

(54) **CLOCK**

(75) Inventor: **Maira Kalman**, New York, NY (US)

(73) Assignee: **M & Co Ltd**, New York, NY (US)

(**) Term: **14 Years**

(21) Appl. No.: **29/141,790**

(22) Filed: **May 11, 2001**

(51) **LOC (7) Cl.** **10-01**

(52) **U.S. Cl.** **D10/22**

(58) **Field of Search** D10/1, 2, 3-15,
D10/16-18, 19-40, 122-132; 368/10, 276,
277, 285, 316, 317

(56) **References Cited**

U.S. PATENT DOCUMENTS

D98,769 S	*	3/1936	Horwitt	D10/6
D354,236 S	*	1/1995	Sugano	D10/28
D395,833 S	*	7/1998	Richter	D10/52

OTHER PUBLICATIONS

European Jeweler, Mar. 1973, p. 89, see circled clock upper right.*

National Jeweler, Oct. 1963, p. 72, see circled clock upper right.*

Hong Kong Enterprise, Jan. 1986, p. 227, see orange clock left center.*

Hong Kong Enterprise, Jun. 1984, p. 177, see spherica clock-cente.*

* cited by examiner

Primary Examiner—Martie K. Holtje

(74) *Attorney, Agent, or Firm*—Michael Schwarz

(57) **CLAIM**

The ornamental design for a clock, as shown and described.

DESCRIPTION

FIG. 1 is a front perspective view of the clock from the right side;

FIG. 2 is a rear perspective view of the clock from the left side;

FIG. 3 is a top plan view of the clock;

FIG. 4 is a front elevational view of the clock;

FIG. 5 is a right side view of the clock;

FIG. 6 is a left side view of the clock;

FIG. 7 is a rear elevational view of the clock; and,

FIG. 8 is a bottom plan view of the clock.

The structure depicted by means of broken lines in FIGS. 2, 3, and 5 through 8 has been shown for illustrative purposes only and forms no part of the claimed design.

1 Claim, 5 Drawing Sheets

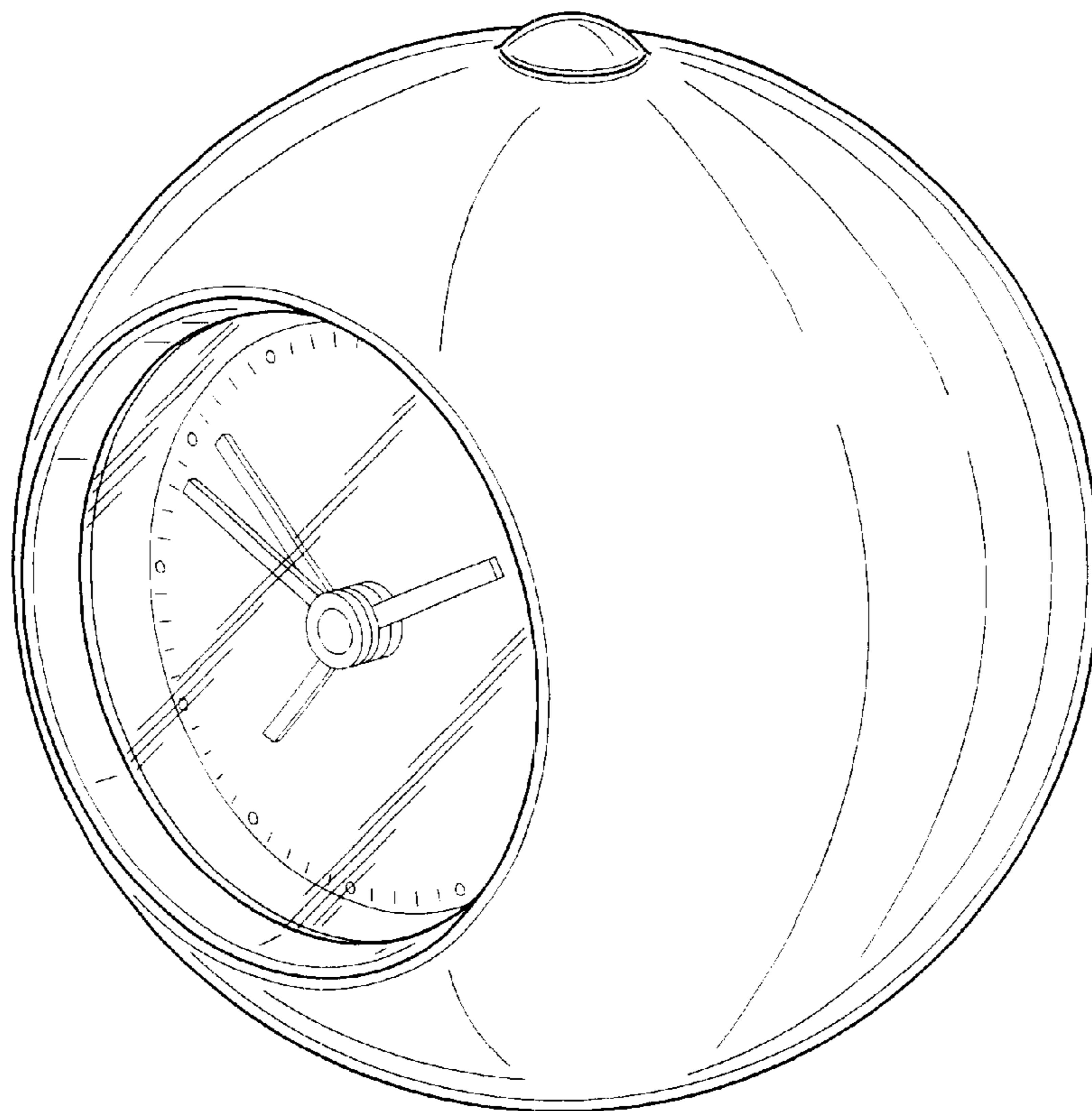


FIG. 1

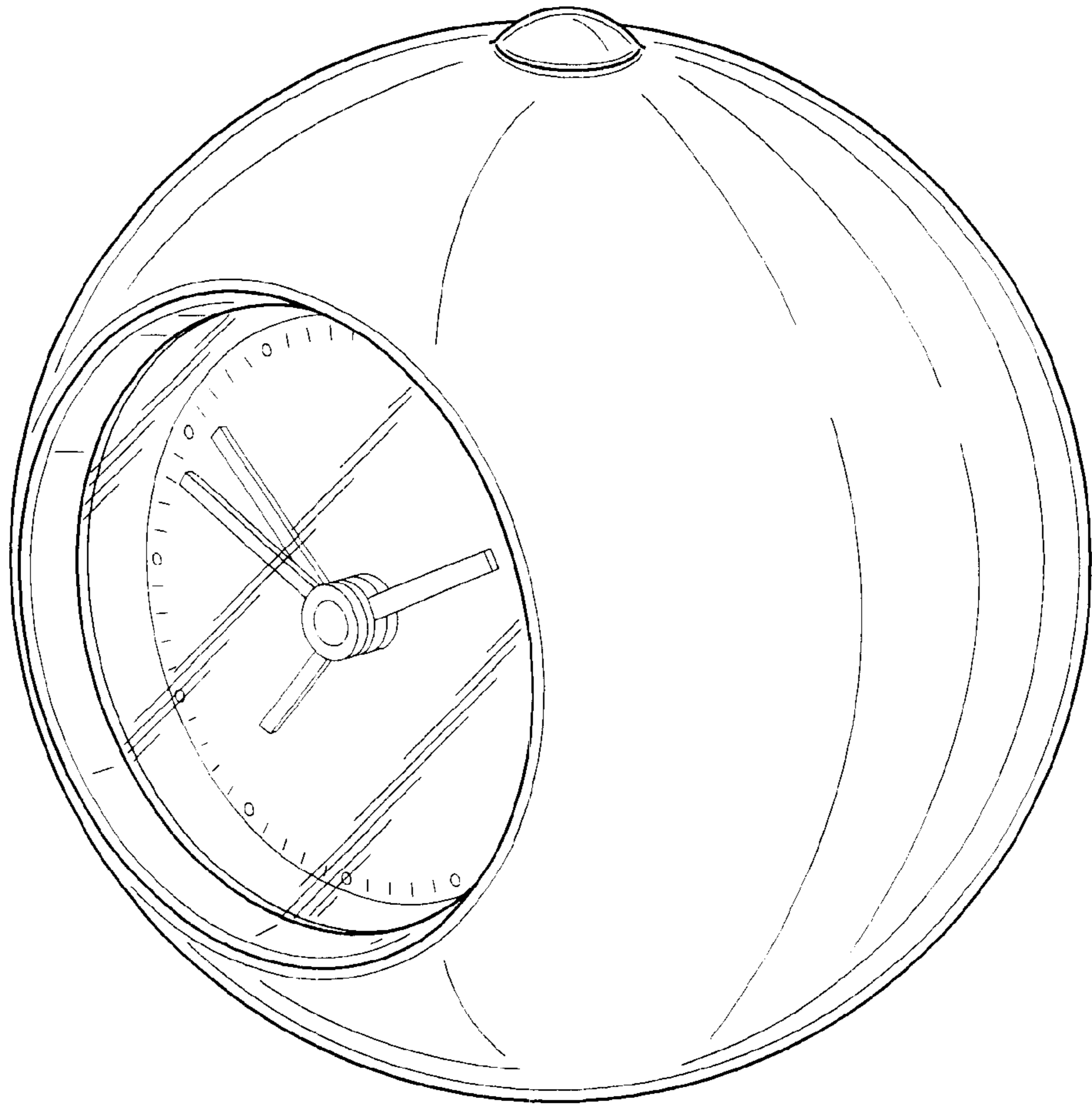


FIG. 2

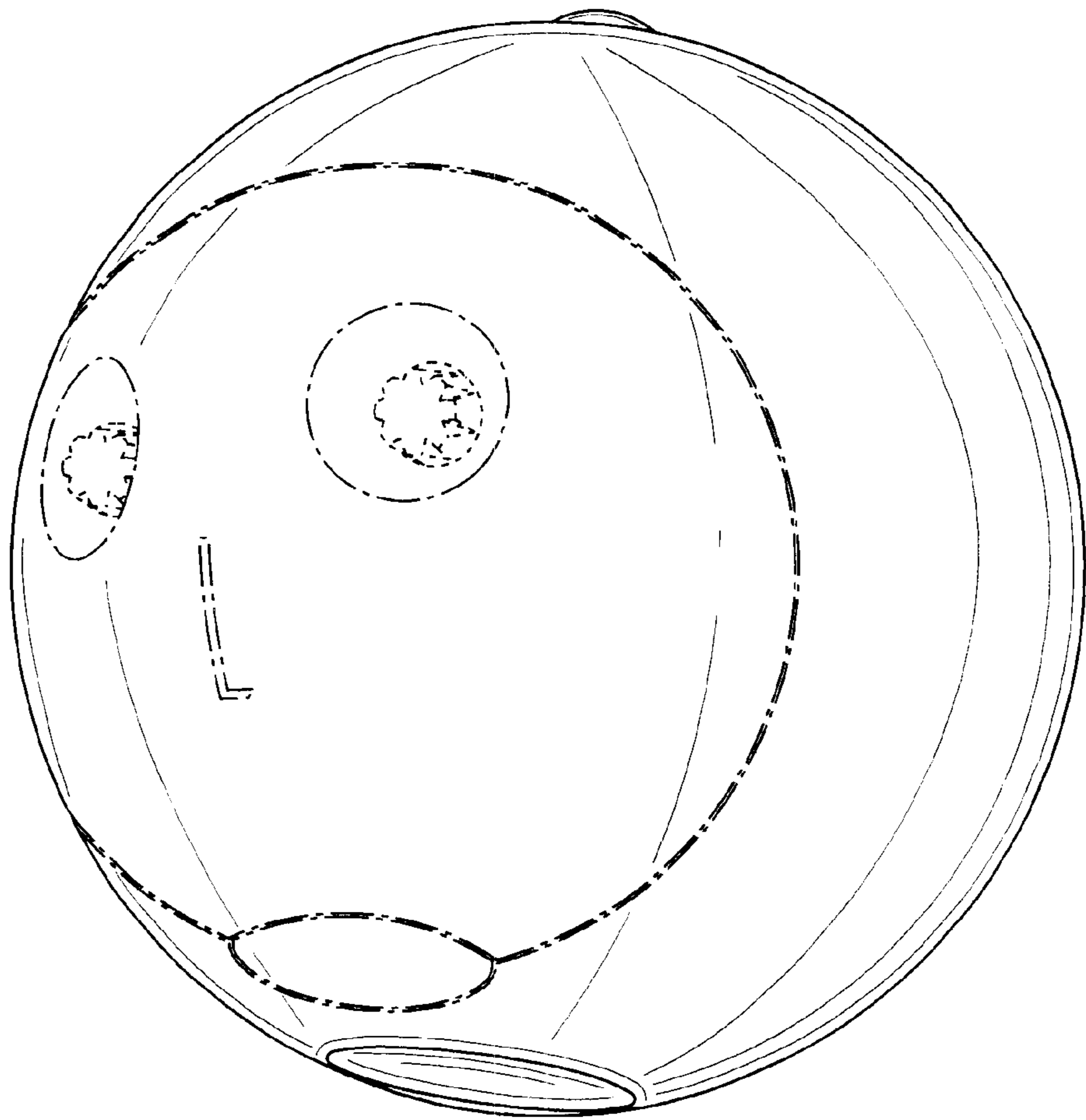


FIG. 3

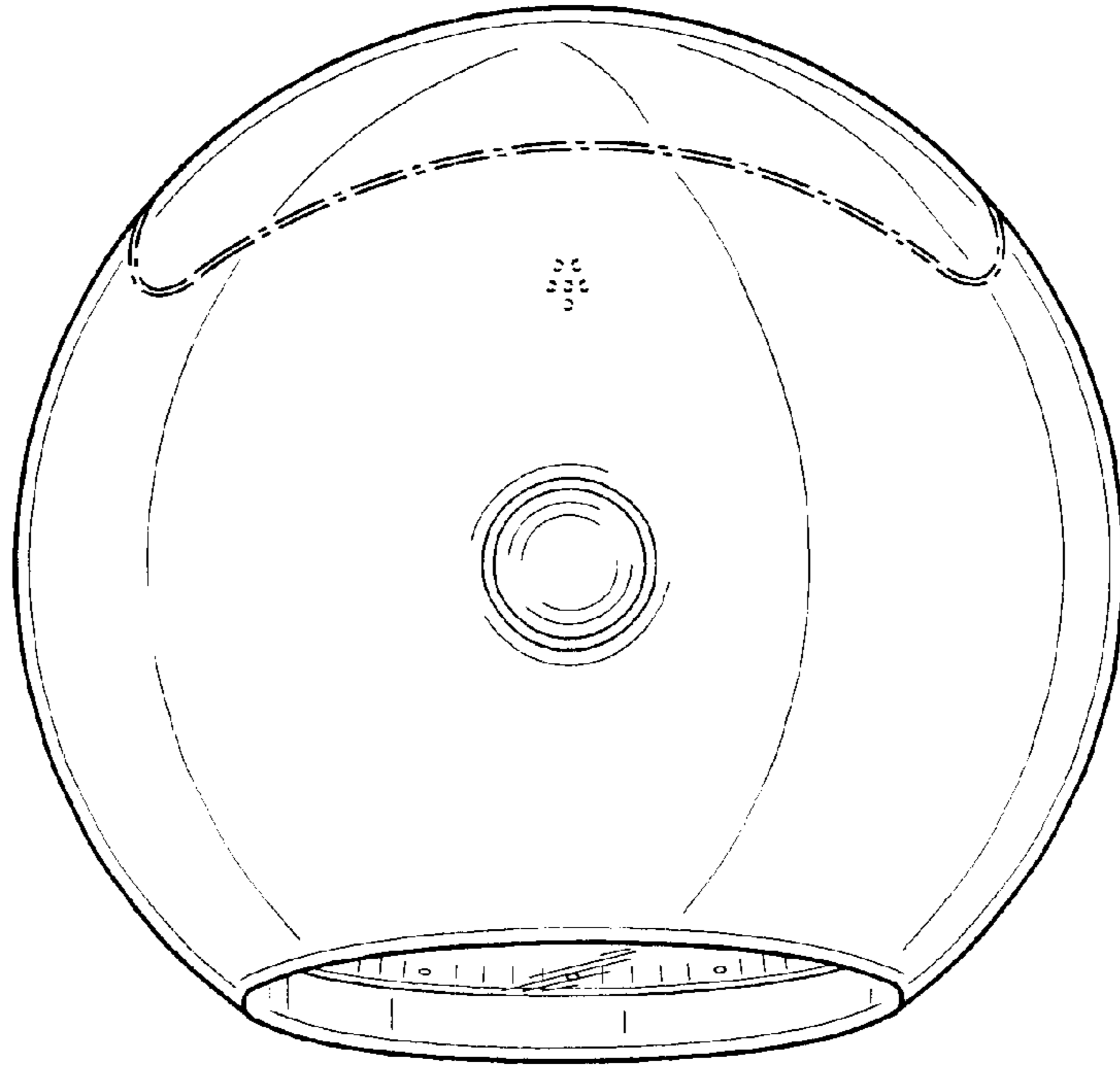


FIG. 4

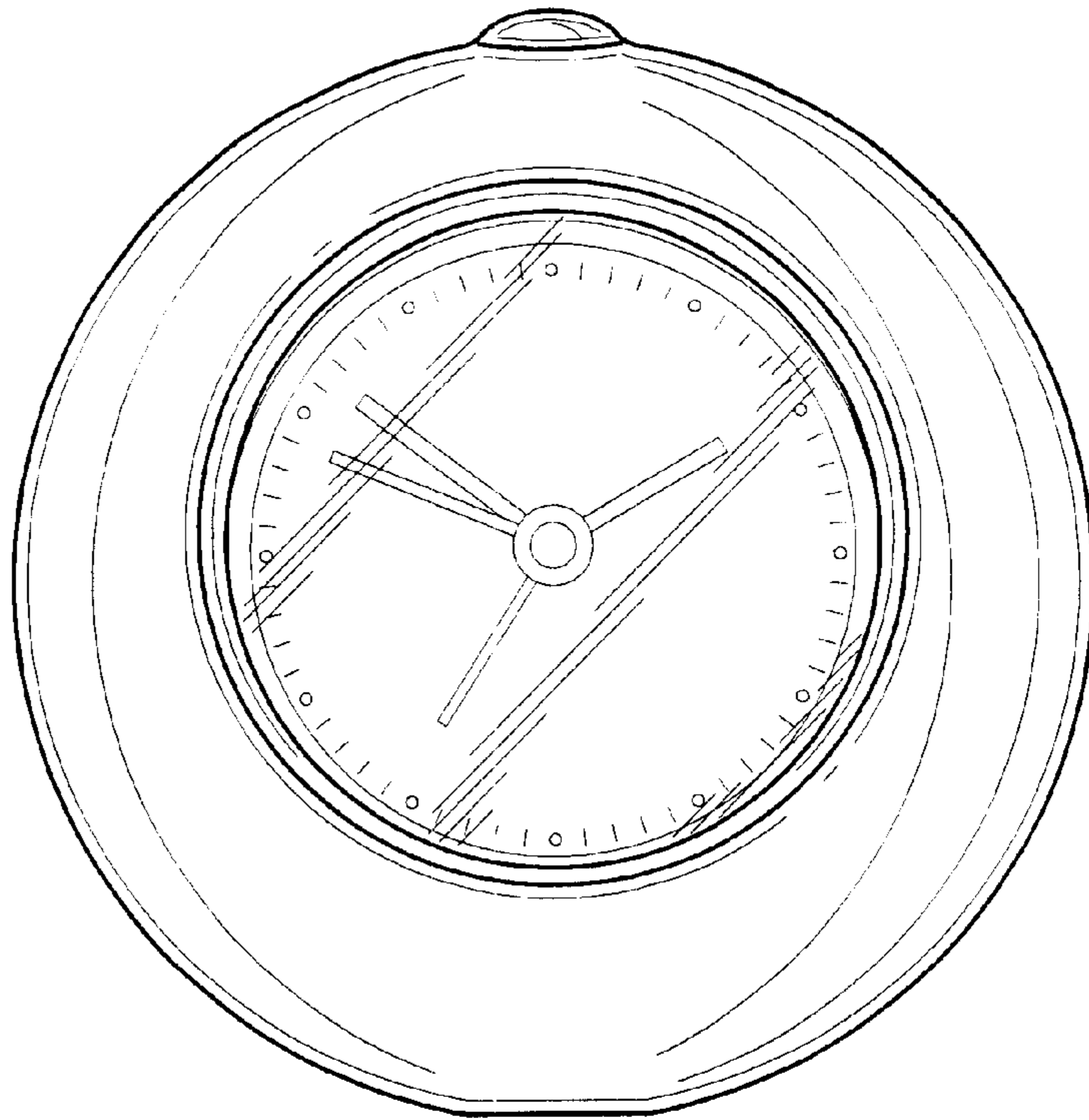


FIG. 5

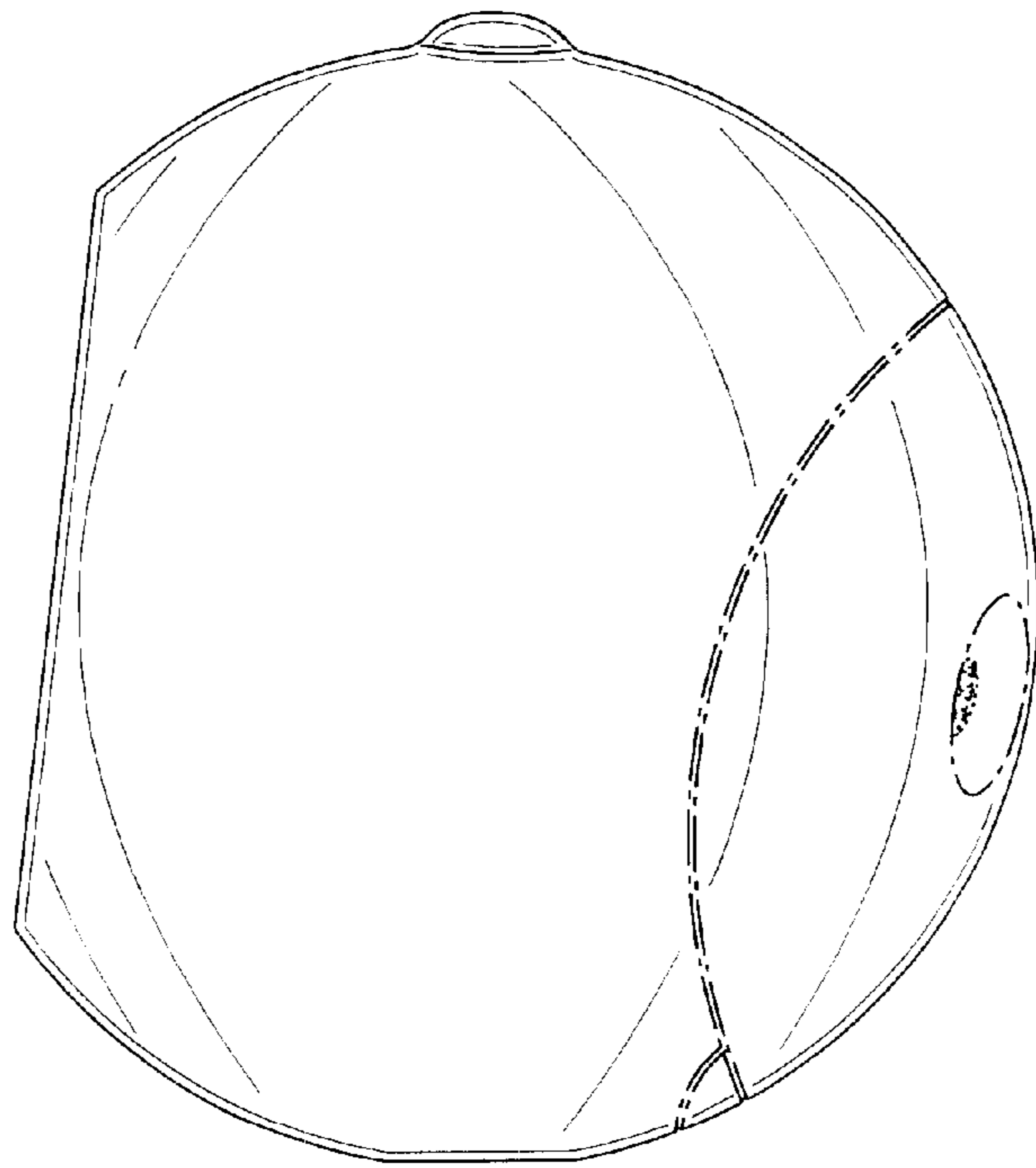


FIG. 6

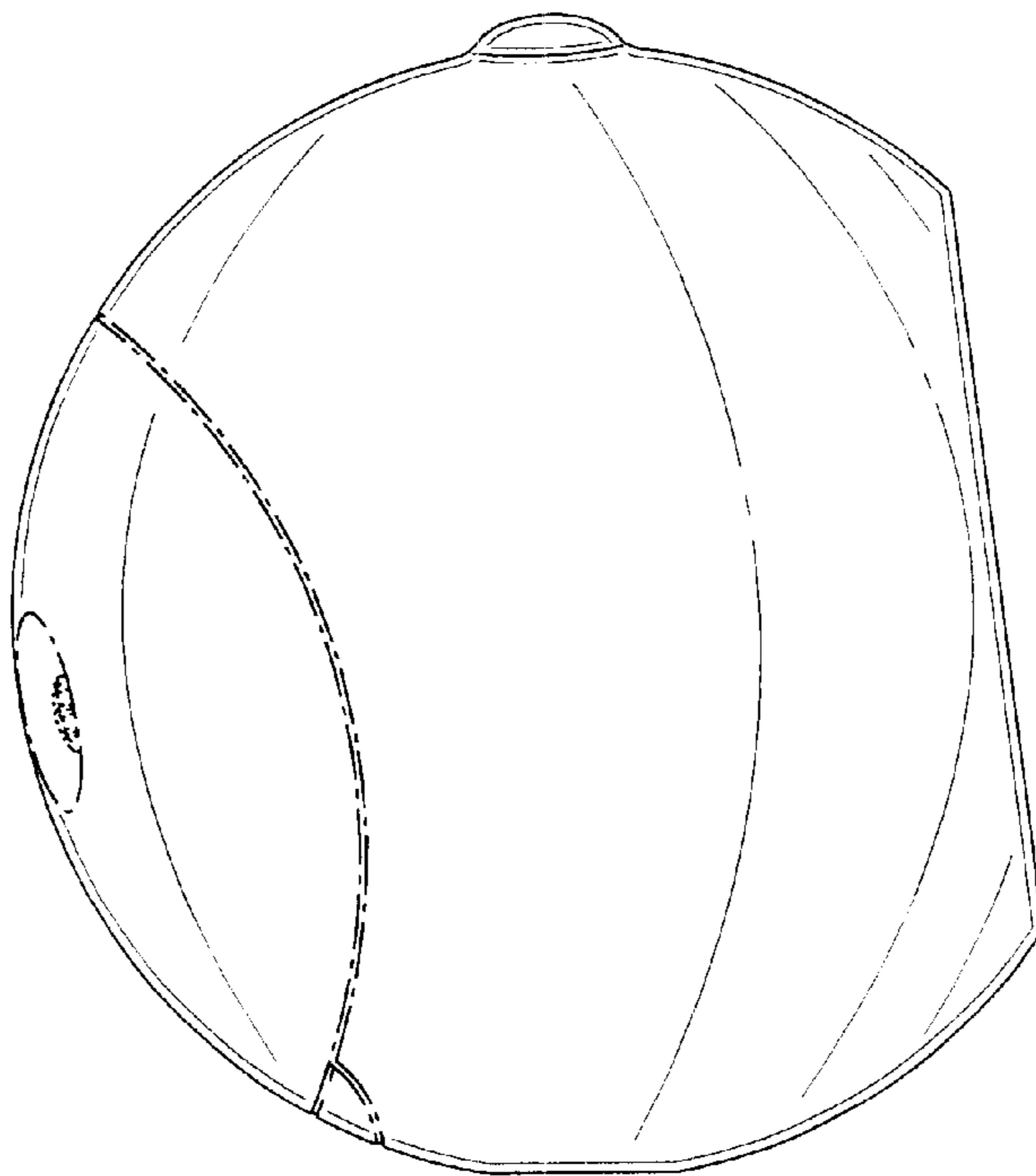


FIG. 7

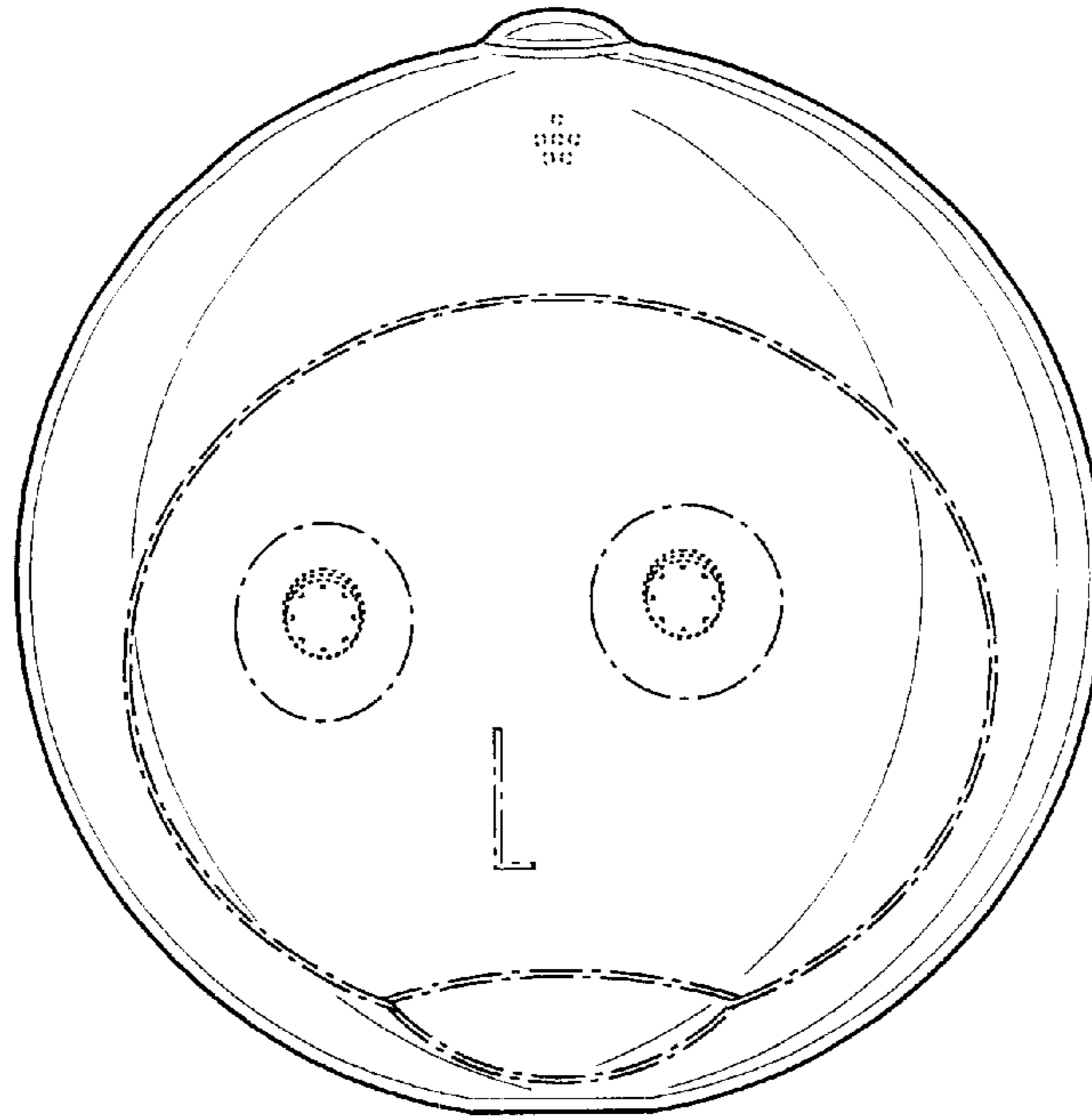


FIG. 8

