



US00D460918S

(12) **United States Design Patent**
Mansau

(10) **Patent No.:** **US D460,918 S**

(45) **Date of Patent:** **** Jul. 30, 2002**

(54) **COMBINED BOTTLE AND CAP**

(75) **Inventor:** **Serge Mansau, Thiverval (FR)**

(73) **Assignee:** **Estee Lauder, SNC, Paris (FR)**

(**) **Term:** **14 Years**

(21) **Appl. No.:** **29/132,831**

(22) **Filed:** **Nov. 16, 2000**

(51) **LOC (7) Cl.** **09-01**

(52) **U.S. Cl.** **D9/551; D9/503**

(58) **Field of Search** **D9/300, 302, 307,**
D9/320, 500, 434, 435, 447-450, 503, 515,
516, 520-523, 529, 541, 545, 549, 551,
555, 564, 567, 566, 553, 554, 568, 571,
572, 573, 574, 575; D28/91.1; 215/381-385,
396, 398

(56) **References Cited**

U.S. PATENT DOCUMENTS

D173,880 S	*	1/1955	Olifiers	D9/529
D283,397 S	*	4/1986	Monod	D9/545
D298,107 S	*	10/1988	Amic	D9/521
D306,257 S	*	2/1990	Uhmeyer	D9/544
D332,052 S	*	12/1992	Sabbia	D9/523
D339,071 S	*	9/1993	Mansau	D9/558
D354,001 S	*	1/1995	Park	D9/544

D355,602 S	*	2/1995	Buettner et al.	D9/505
D380,677 S	*	7/1997	Joergensen	D9/439
D381,914 S	*	8/1997	Dinand	D9/545
D390,783 S	*	2/1998	Schneider et al.	D9/503
D422,507 S	*	4/2000	Luzzi et al.	D9/544
D422,900 S	*	4/2000	Ellise	D9/300

* cited by examiner

Primary Examiner—Ted Shooman

Assistant Examiner—Carol Rademaker

(74) *Attorney, Agent, or Firm*—Martin W. Haerter, Esq.

(57) **CLAIM**

What is claimed is the ornamental design for a combined bottle and cap, as shown and described.

DESCRIPTION

FIG. 1 is a top, rear and left side perspective view of my new design for a combined bottle and cap;
FIG. 2 is a front elevation view thereof;
FIG. 3 is a rear elevation view thereof;
FIG. 4 is a left side elevation thereof;
FIG. 5 is a right side elevation thereof;
FIG. 6 is a top plan view thereof; and,
FIG. 7 is a bottom plan view thereof.

The broken lines shown in FIGS. 1-7 are for illustrative purposes only and forms no part of the claimed design.

1 Claim, 2 Drawing Sheets

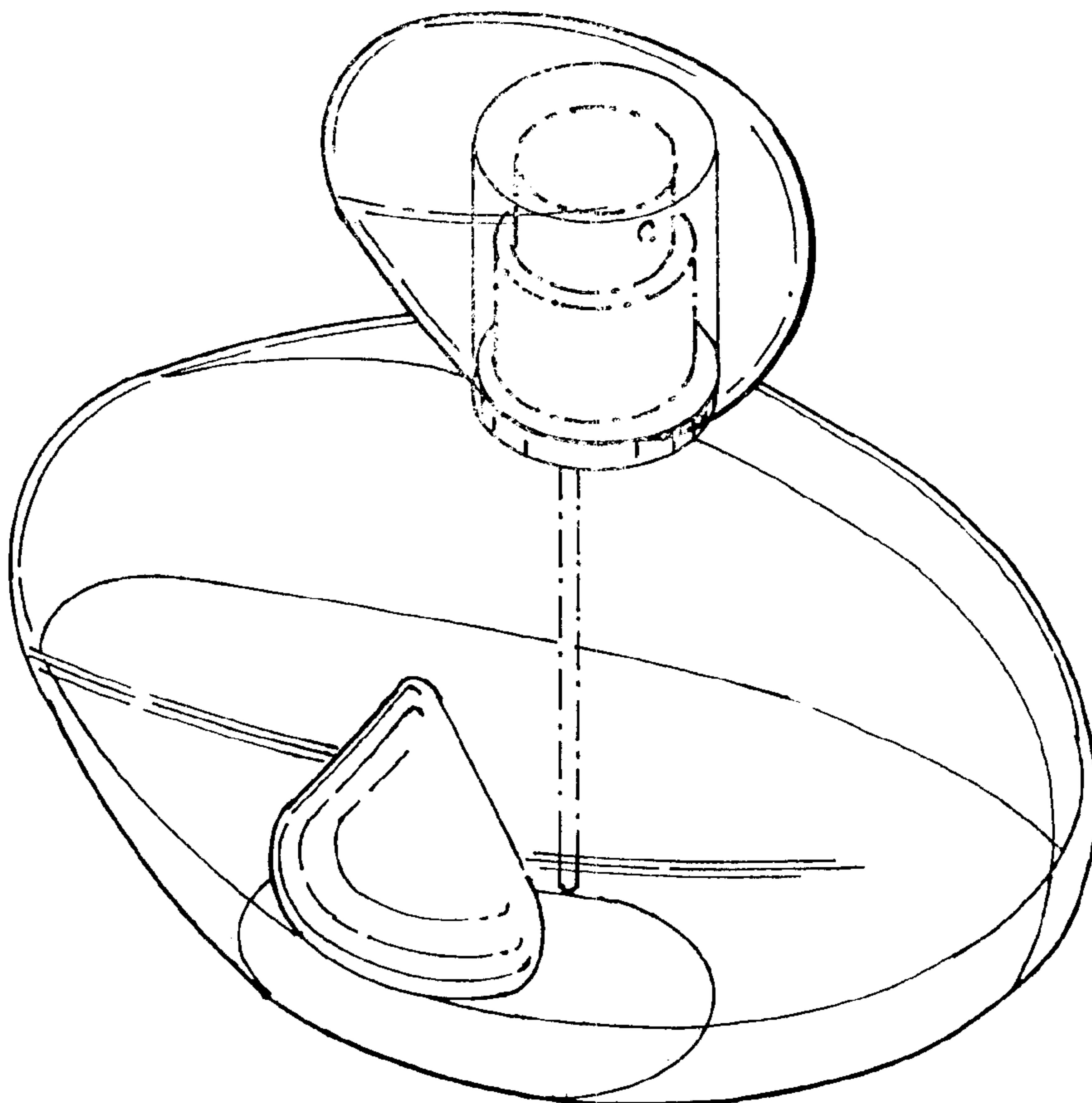


Fig. 1

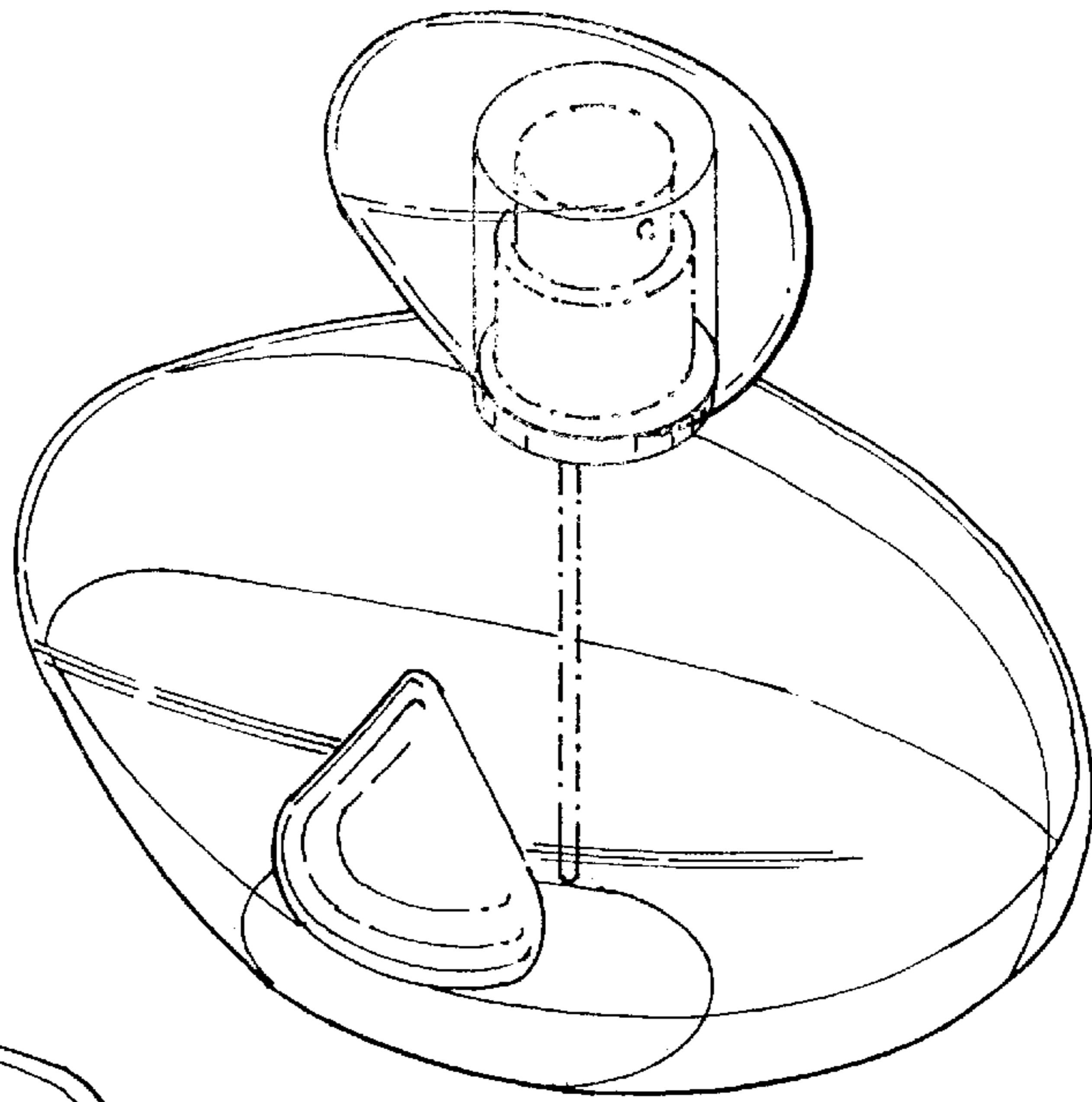


Fig. 2

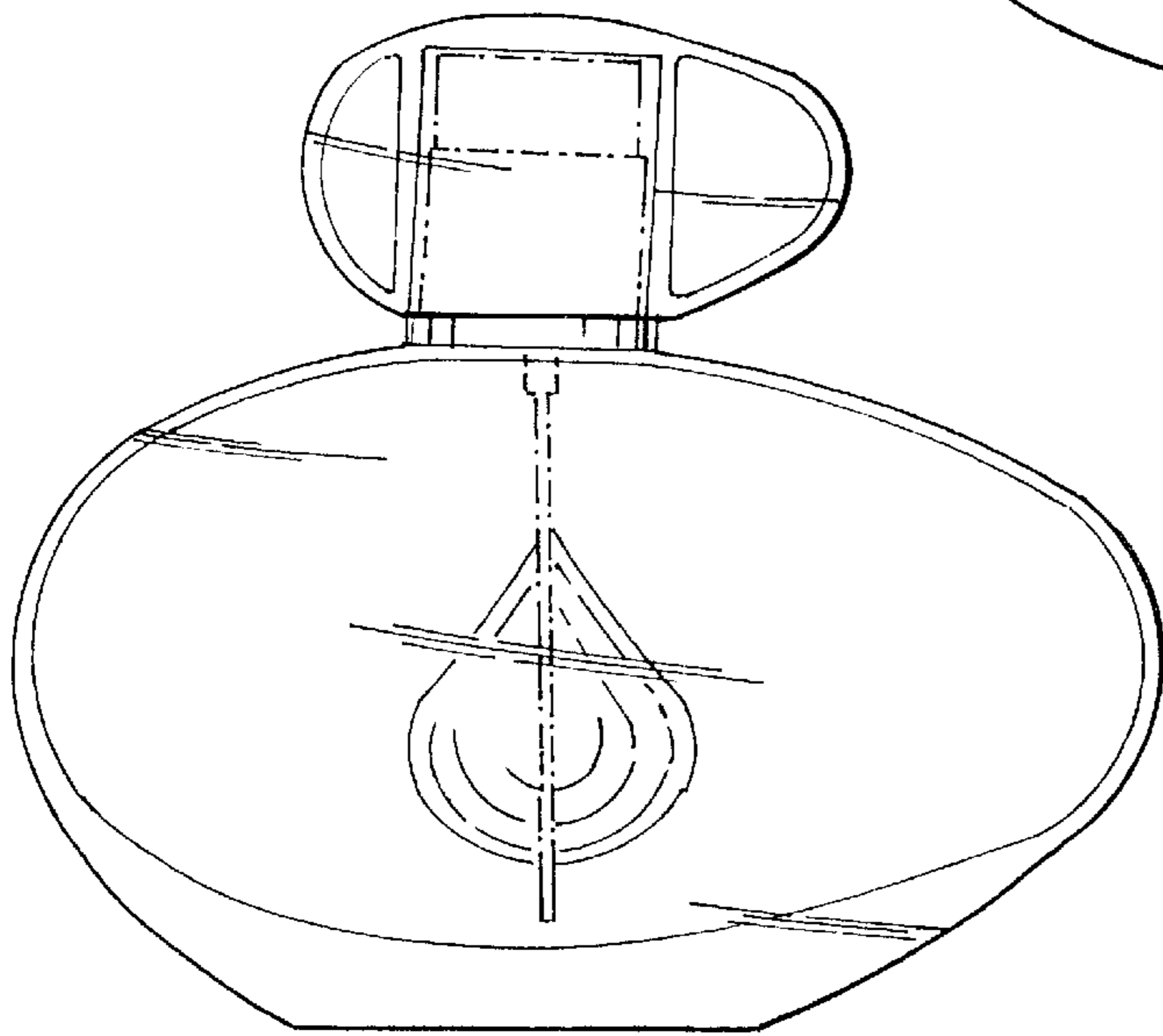
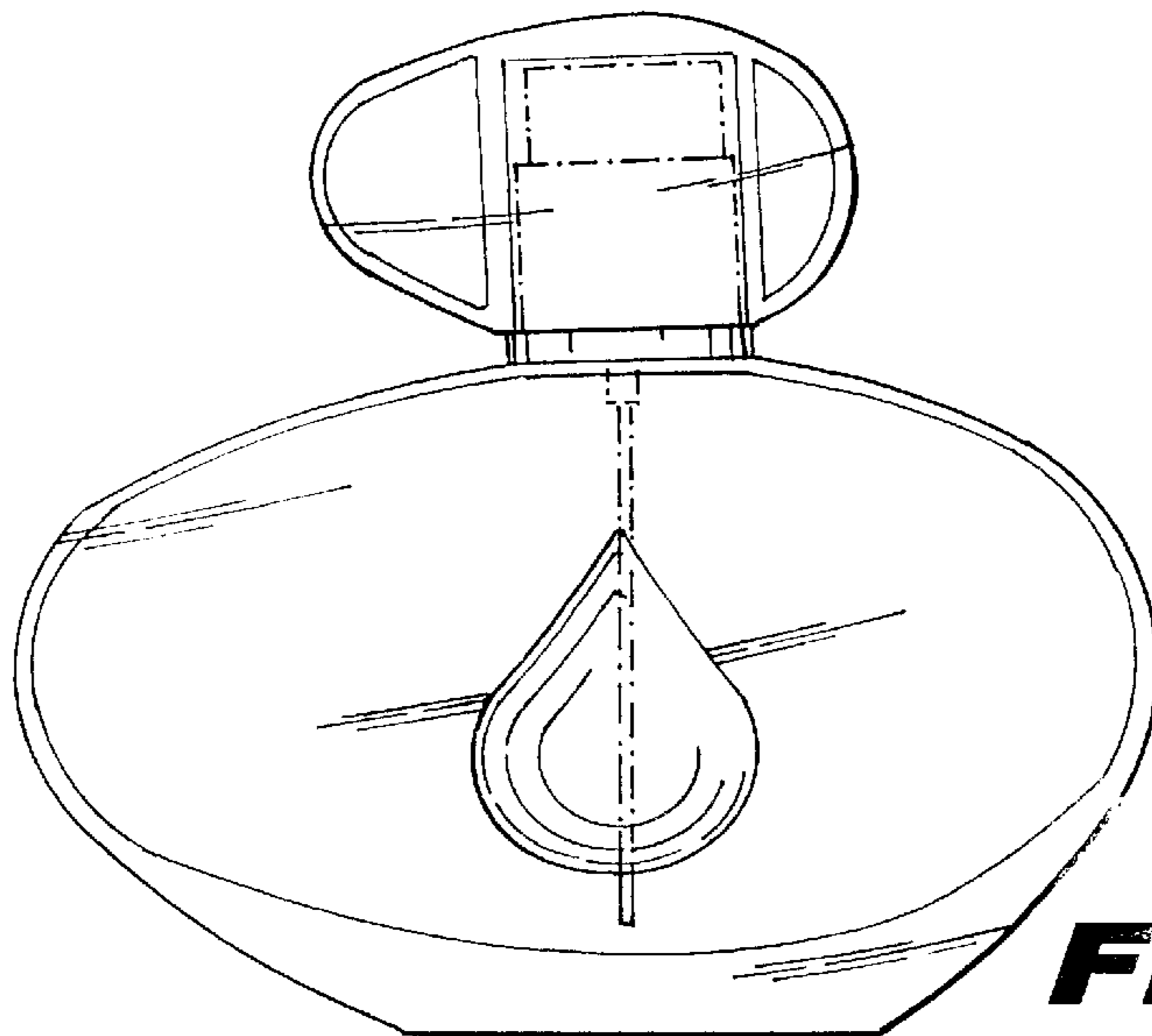


Fig. 3



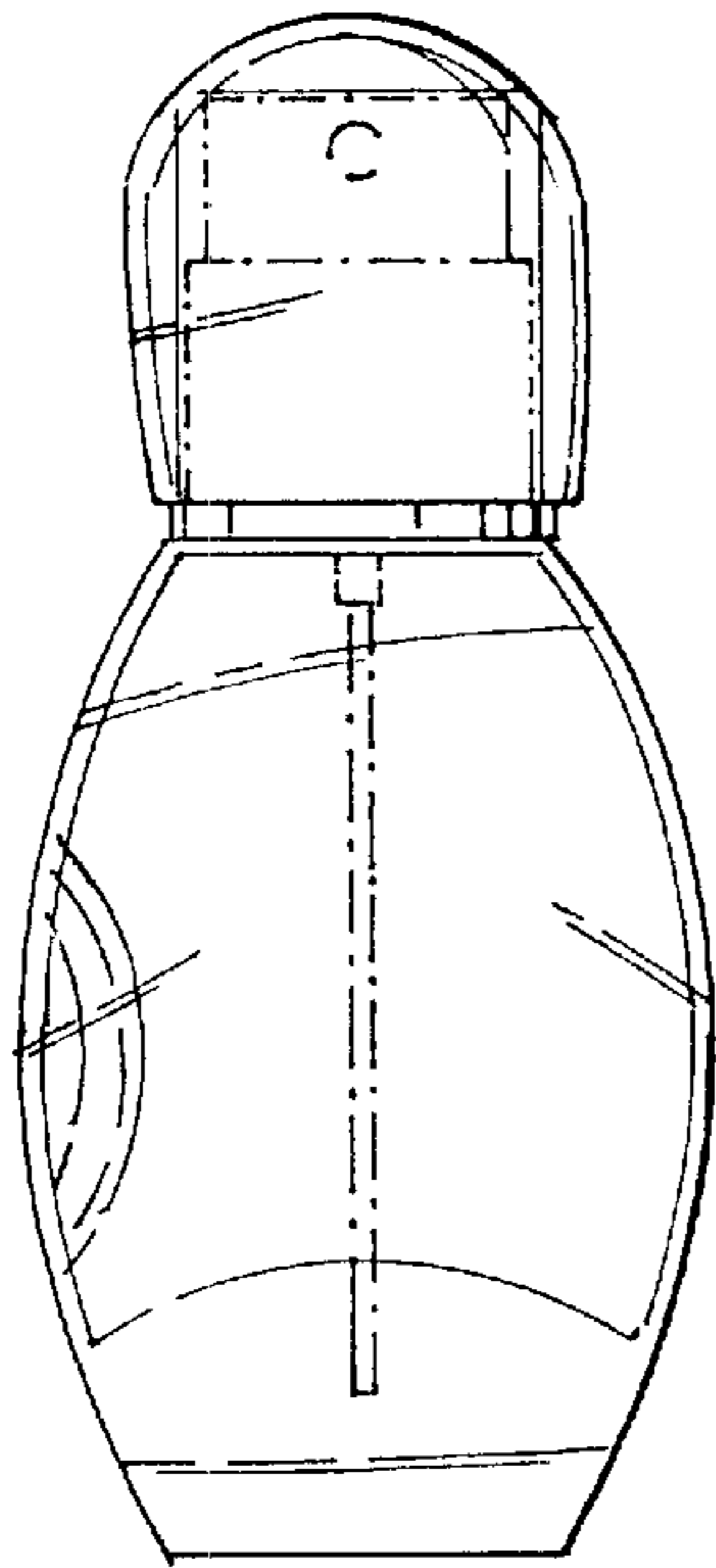


Fig. 4

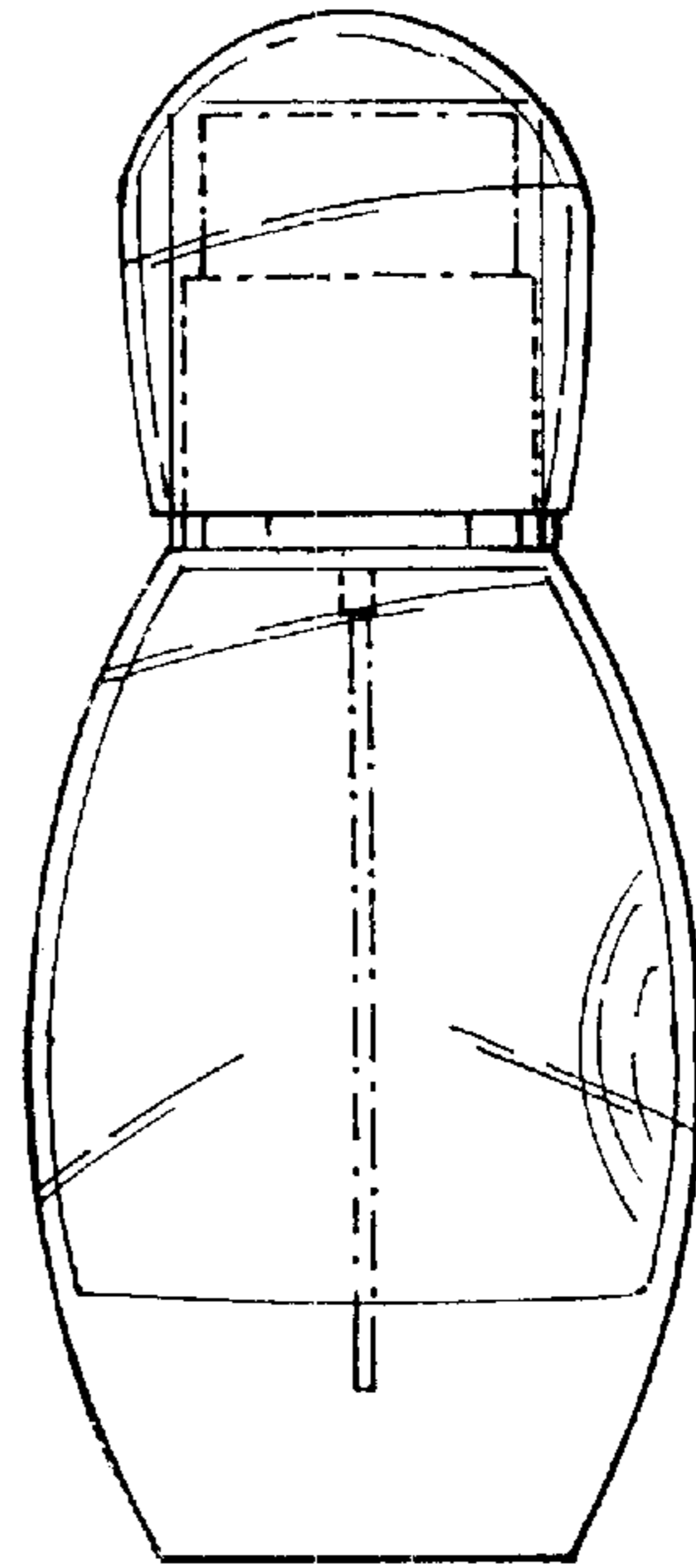


Fig. 5

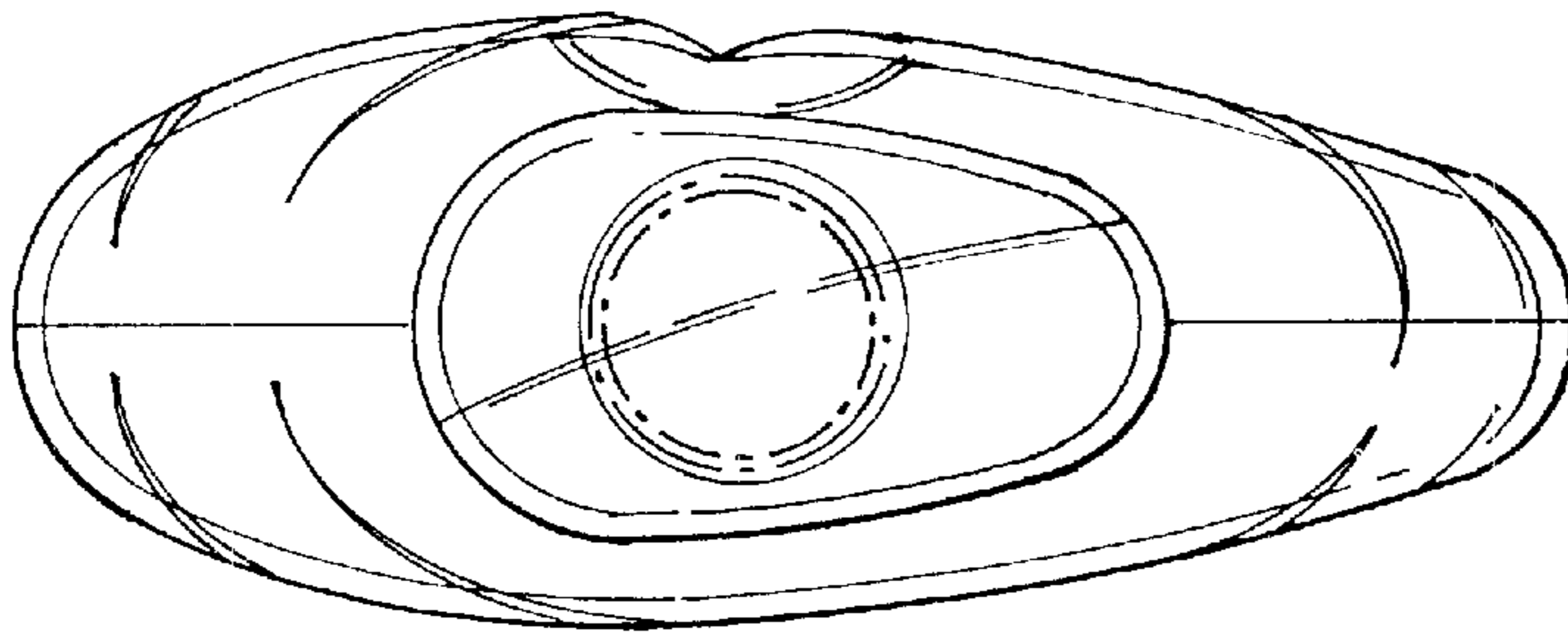


Fig. 6

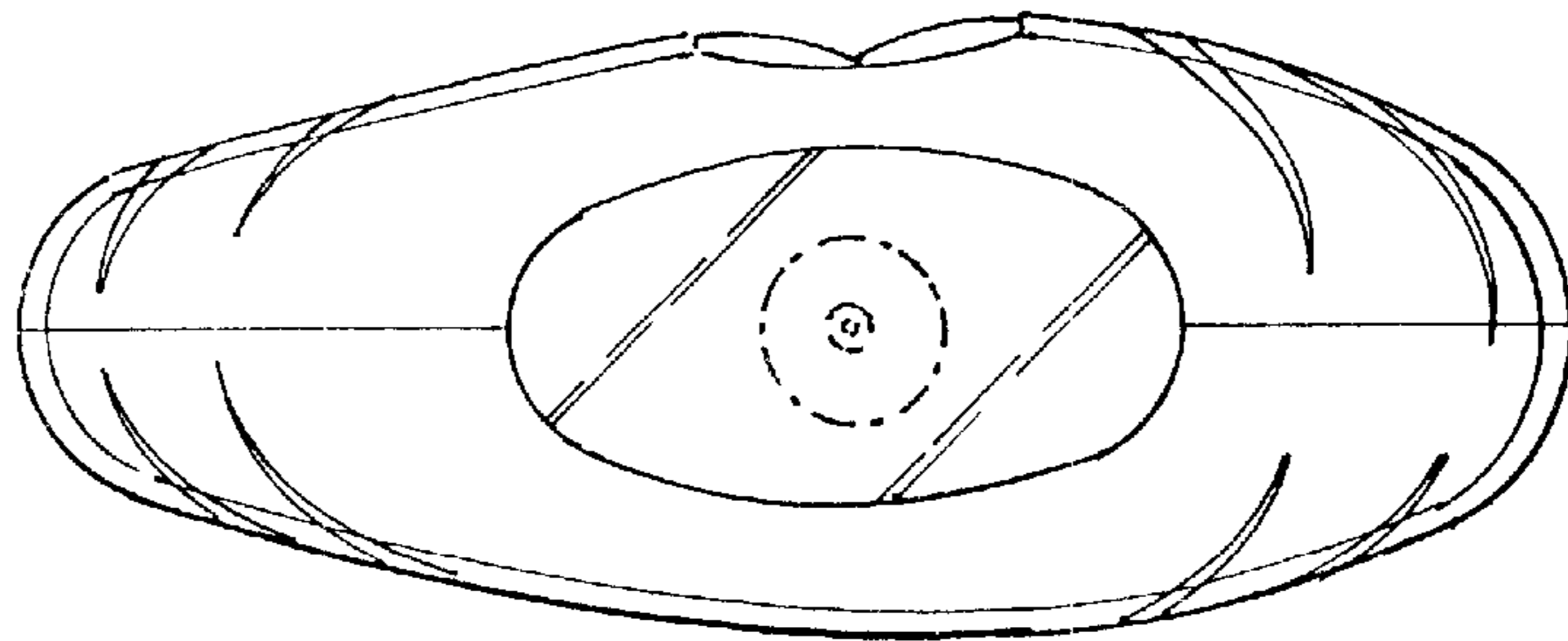


Fig. 7