



US00D460911S

(12) **United States Design Patent**
Sato et al.

(10) **Patent No.:** **US D460,911 S**

(45) **Date of Patent:** **** Jul. 30, 2002**

(54) **RIVET**

(75) Inventors: **Ikuo Sato**, Saitama; **Masayuki Nishizawa**, Aichi, both of (JP)

(73) Assignees: **Honda Giken Kogyo Kabushiki Kaisha**, Tokyo (JP); **Emhart, Inc.**, Newark, DE (US)

(**) Term: **14 Years**

(21) Appl. No.: **29/127,618**

(22) Filed: **Aug. 10, 2000**

(30) **Foreign Application Priority Data**

Mar. 30, 2000 (JP) 2000-008012

(51) **LOC (7) Cl.** **08-08**

(52) **U.S. Cl.** **D8/386**

(58) **Field of Search** D8/382, 385, 386,
D8/392, 393; 411/500, 504, 485, 501, 43

(56) **References Cited**

U.S. PATENT DOCUMENTS

- 388,458 A * 8/1888 Shorey 411/501
- 619,516 A * 2/1899 Tilotson 411/389
- D218,582 S * 9/1970 Kiester D8/393
- D285,650 S * 9/1986 Lacey D8/386

- 4,781,500 A * 11/1988 Mauer 411/36
- 4,958,971 A * 9/1990 Lacey et al. 411/38
- 5,044,850 A * 9/1991 Getten et al. 411/43
- 5,645,383 A * 7/1997 Williams 411/43
- 5,762,457 A * 6/1998 Lide 411/405
- 6,254,324 B1 * 7/2001 Smith et al. 411/34

FOREIGN PATENT DOCUMENTS

JP 62-716180 * 7/1987

* cited by examiner

Primary Examiner—Joel Sincavage

Assistant Examiner—Clare E. Heflin

(74) *Attorney, Agent, or Firm*—Armstrong, Westerman, Hattori, McLeland & Naughton, LLP

(57) **CLAIM**

The ornamental design for, a rivet, as shown and described.

DESCRIPTION

FIG. 1 is a front view of a rivet, showing our new design; FIG. 2 is a rear view thereof; FIG. 3 is a left side view thereof; FIG. 4 is a right side view thereof; FIG. 5 is a top plan view thereof; and, FIG. 6 is a bottom view.

1 Claim, 5 Drawing Sheets

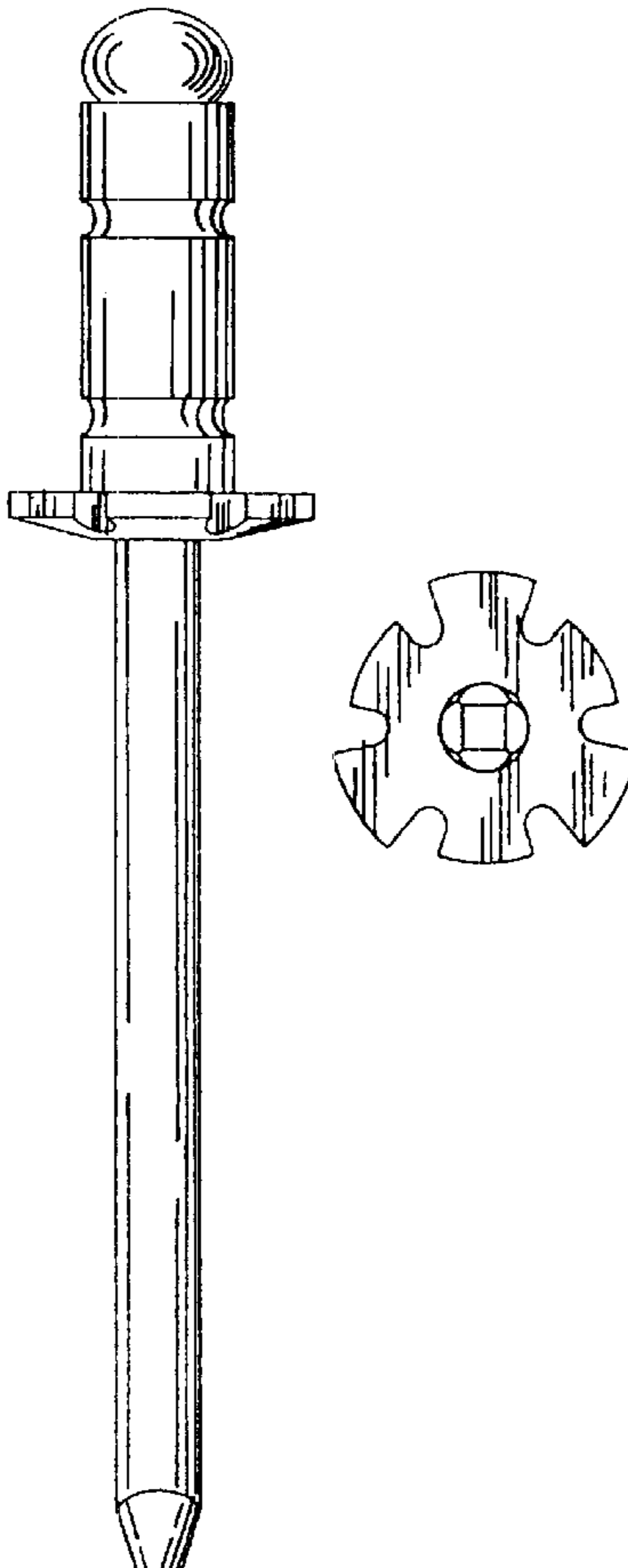


Fig. 1

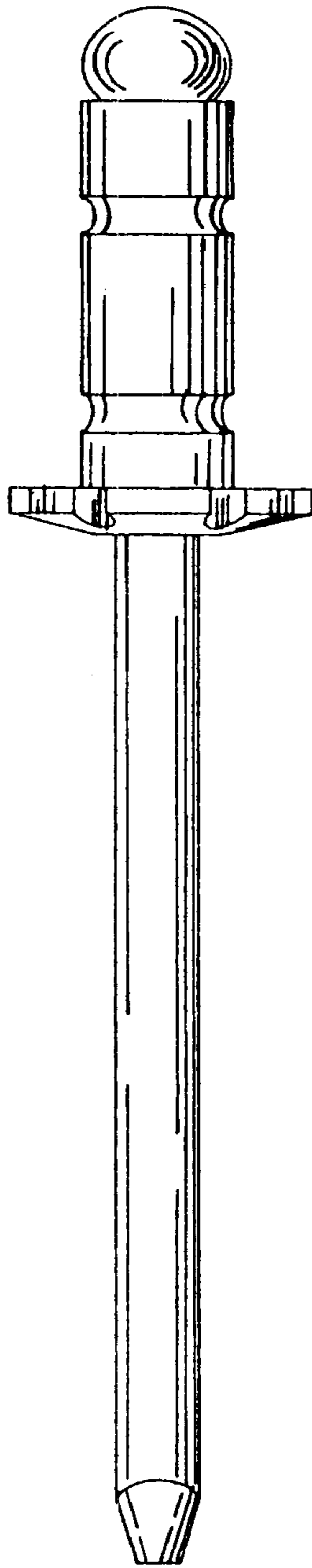


Fig.2

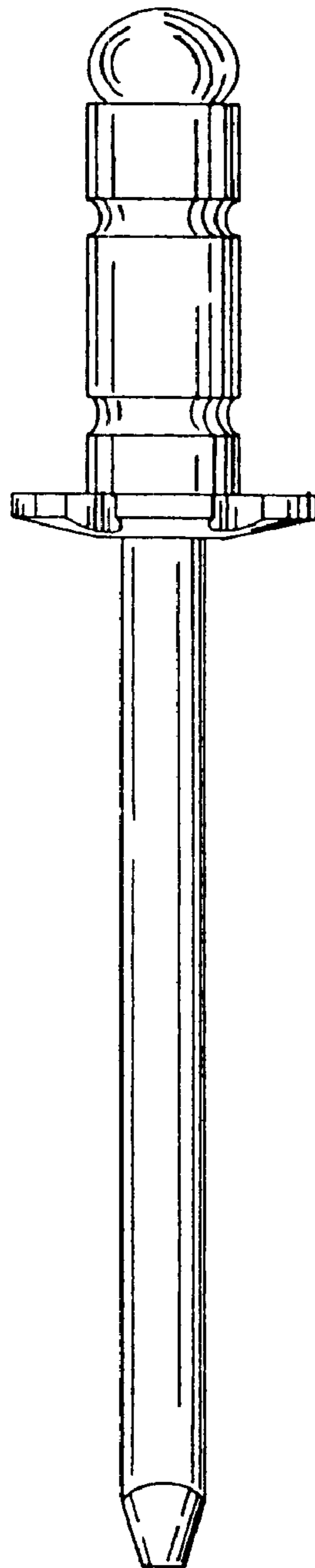


Fig.3

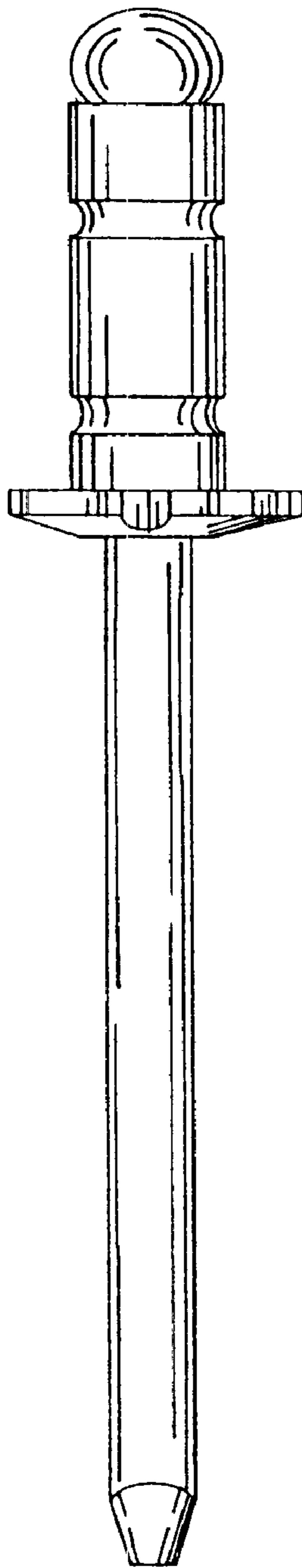


Fig.4

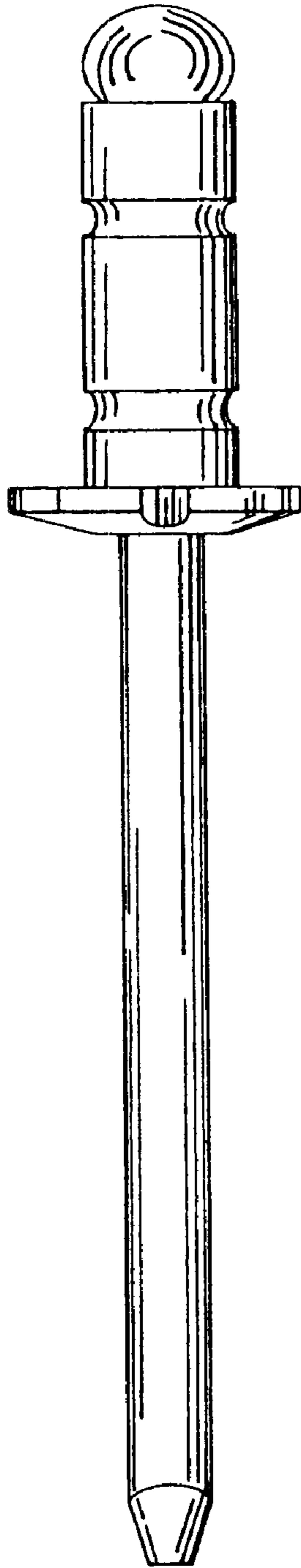


Fig.5

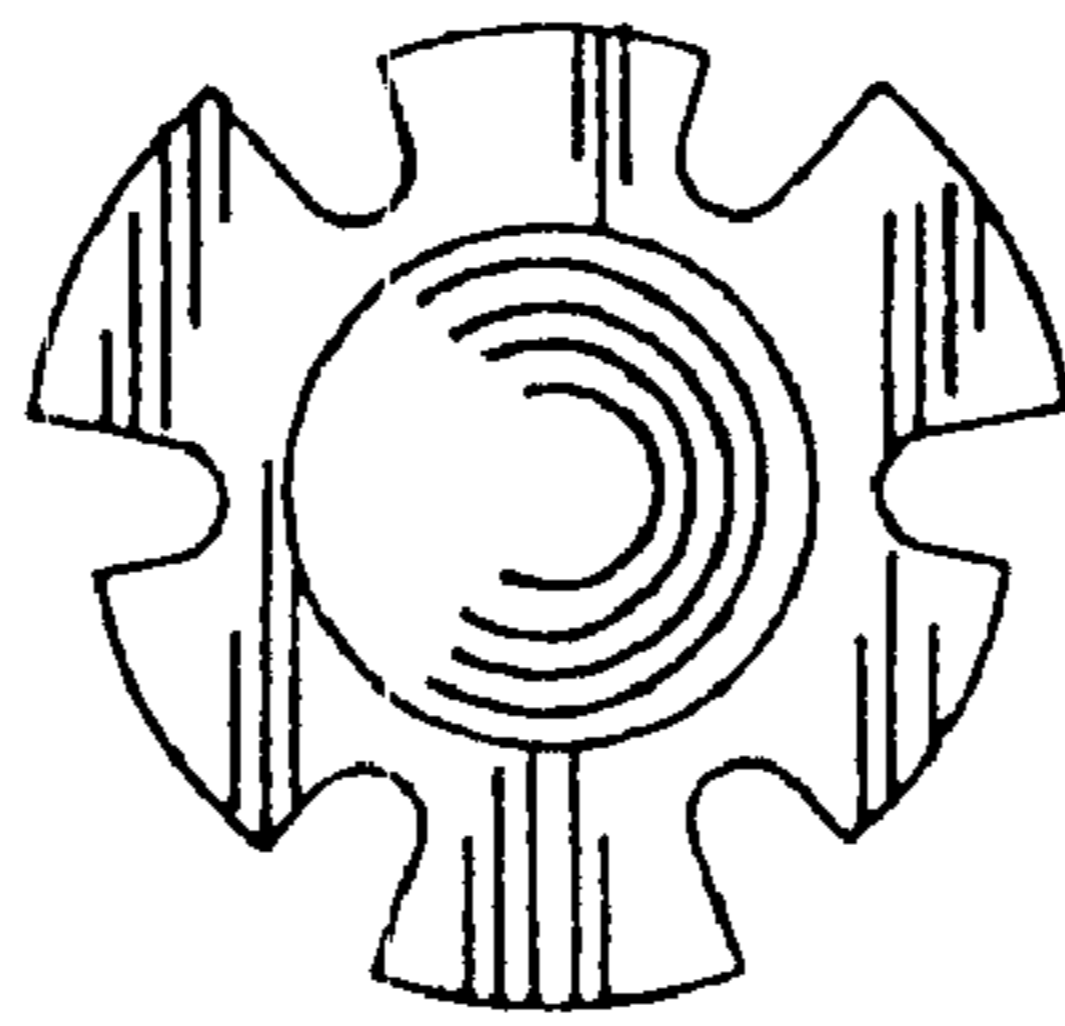


Fig.6

