



US00D460910S

(12) **United States Design Patent**
Stafford

(10) **Patent No.:** **US D460,910 S**

(45) **Date of Patent:** **** Jul. 30, 2002**

(54) **SPOOL HOLDER**

(76) **Inventor:** **Edward D. Stafford**, 322 Englewood Dr., Crawfordsville, IN (US) 47933

(**) **Term:** **14 Years**

(21) **Appl. No.:** **29/138,742**

(22) **Filed:** **Mar. 19, 2001**

(51) **LOC (7) Cl.** **08-05**

(52) **U.S. Cl.** **D8/358**

(58) **Field of Search** D8/349, 354, 356, D8/357, 358, 359; 191/12.2 R; 206/389; 239/195; 242/118, 118.4, 118.6, 118.62, 128, 129, 129.5, 129.51, 129.6, 129.62, 134, 137, 395, 398, 403, 405, 405.1, 405.2, 405.3, 407, 590, 598, 598.5

(56) **References Cited**

U.S. PATENT DOCUMENTS

D164,546 S	*	9/1951	Becker	D8/359
4,548,368 A	*	10/1985	Tomlinson	242/129.6
D347,950 S	*	6/1994	Cisero et al.	D8/358
D375,251 S	*	11/1996	Stevens et al.	D8/359
5,806,787 A	*	9/1998	Schneider	242/129.5

* cited by examiner

Primary Examiner—Doris V. Coles
Assistant Examiner—Elizabeth A. Albert

(74) *Attorney, Agent, or Firm*—Woodard, Emhardt, Naughton, Moriarty & McNett

(57) **CLAIM**

The ornamental design for a spool holder, as shown and described.

DESCRIPTION

FIG. 1 is a front plan view of one embodiment of a spool holder according to the present invention.

FIG. 2 is a back plan view of the spool holder of FIG. 1.

FIG. 3 is an right side view of the spool holder of FIG. 1.

FIG. 4 is an left side view of the spool holder of FIG. 1.

FIG. 5 is a top plan view of the spool holder of FIG. 1.

FIG. 6 is a bottom plan view of the spool holder of FIG. 1.

FIG. 7 is a perspective view of the spool holder of FIG. 1 supporting a spool of wound filament line.

FIG. 8 is a front plan view of an alternative embodiment of a spool holder according to the present invention.

FIG. 9 is a back plan view of the spool holder of FIG. 8.

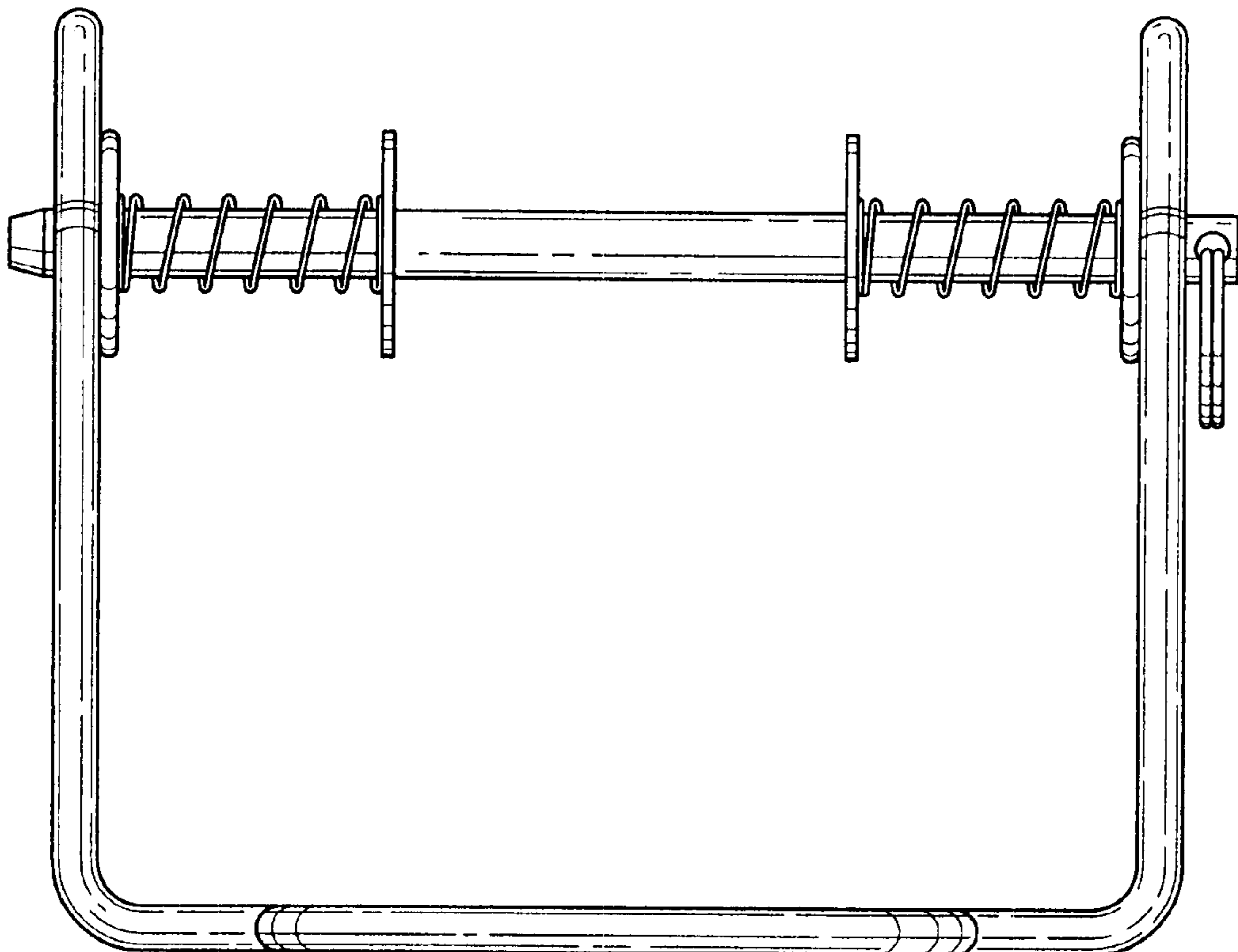
FIG. 10 is a top plan view of the spool holder of FIG. 8.

FIG. 11 is a bottom plan view of the spool holder of FIG. 8; and,

FIG. 12 is a perspective view of the spool holder of FIG. 8 supporting three spools of wound filament line.

The broken line showing of spools of wound filament in FIGS. 7 and 12 is for illustrative purposes only and forms no part of the claimed design.

1 Claim, 9 Drawing Sheets



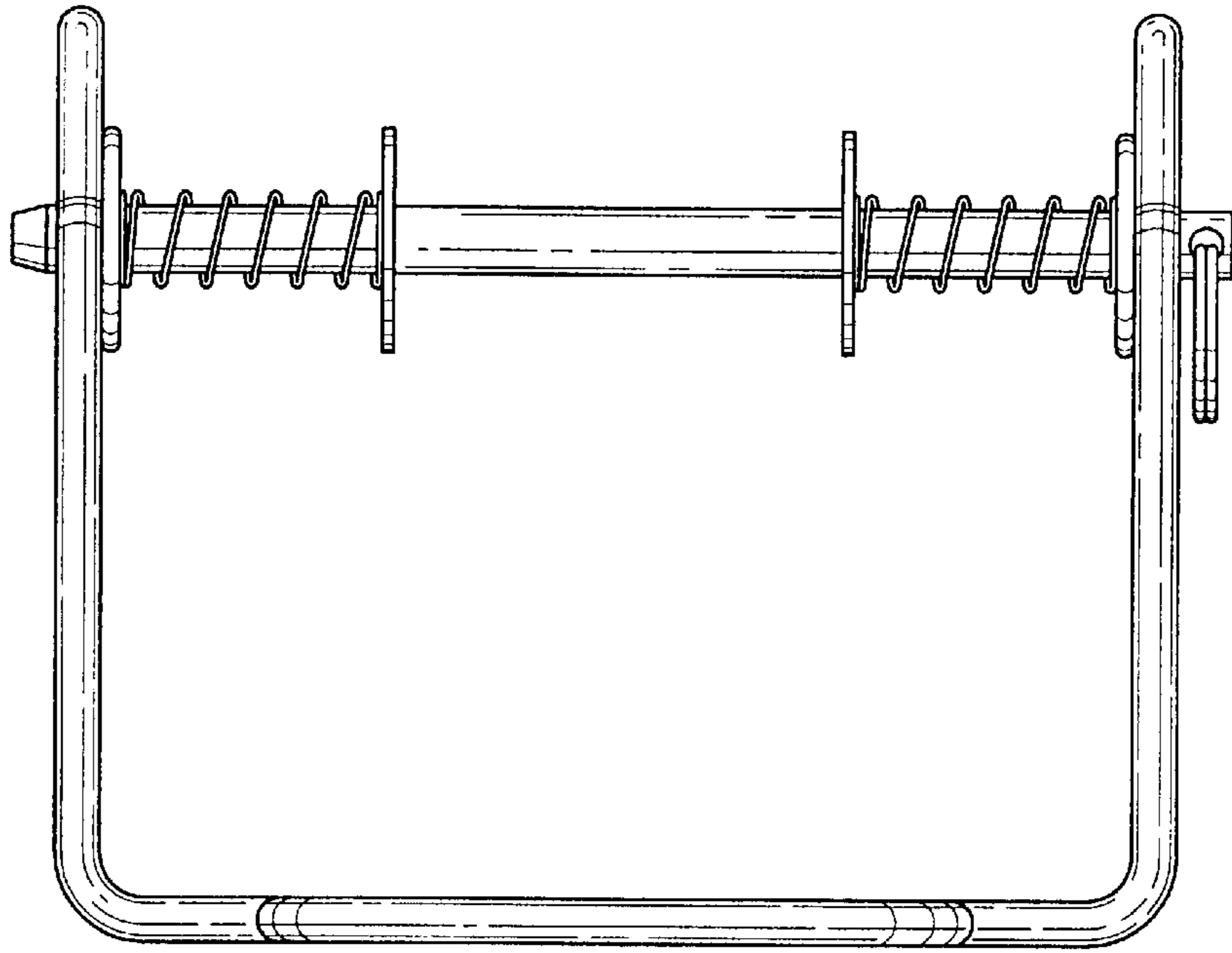


Fig. 1

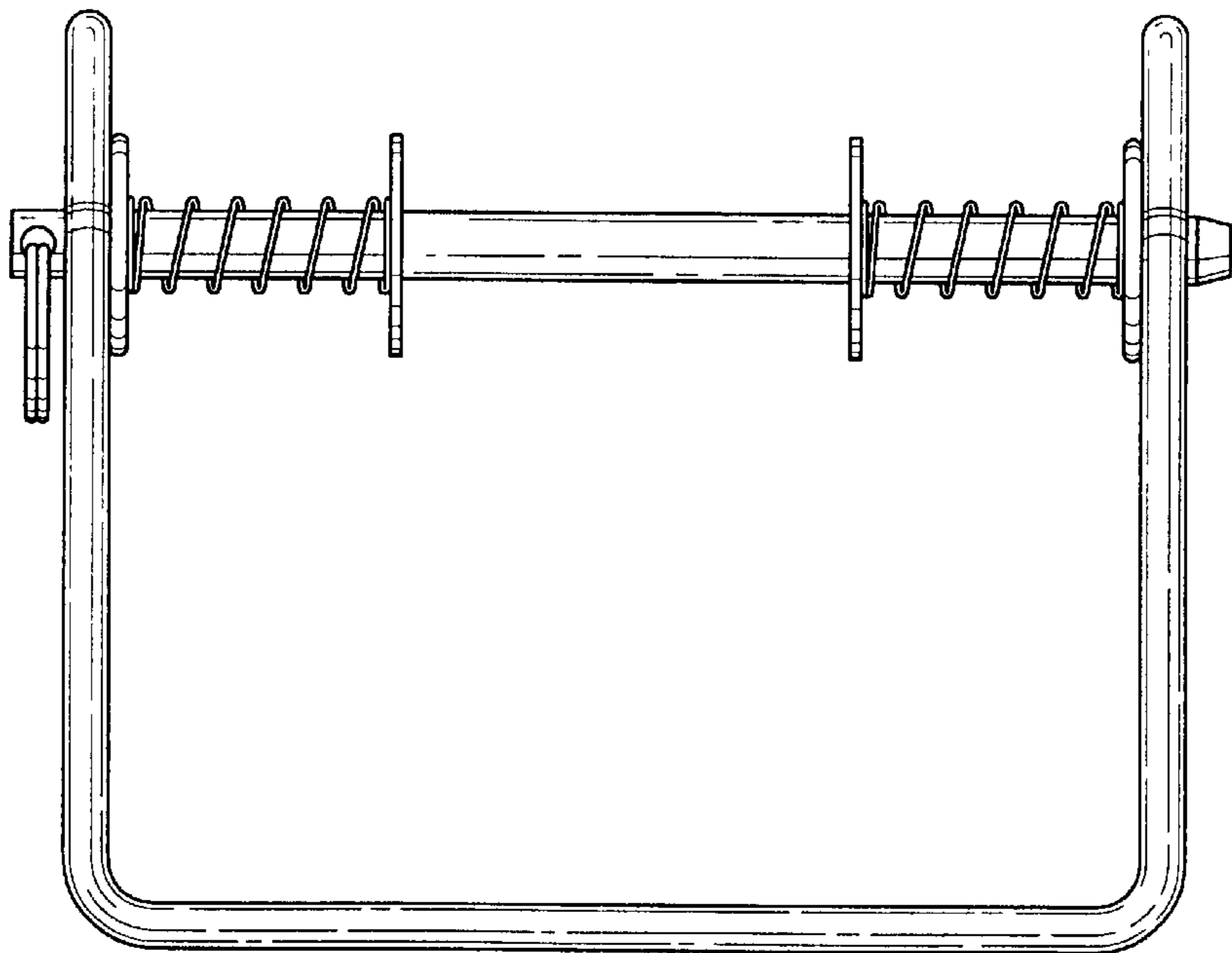


Fig. 2

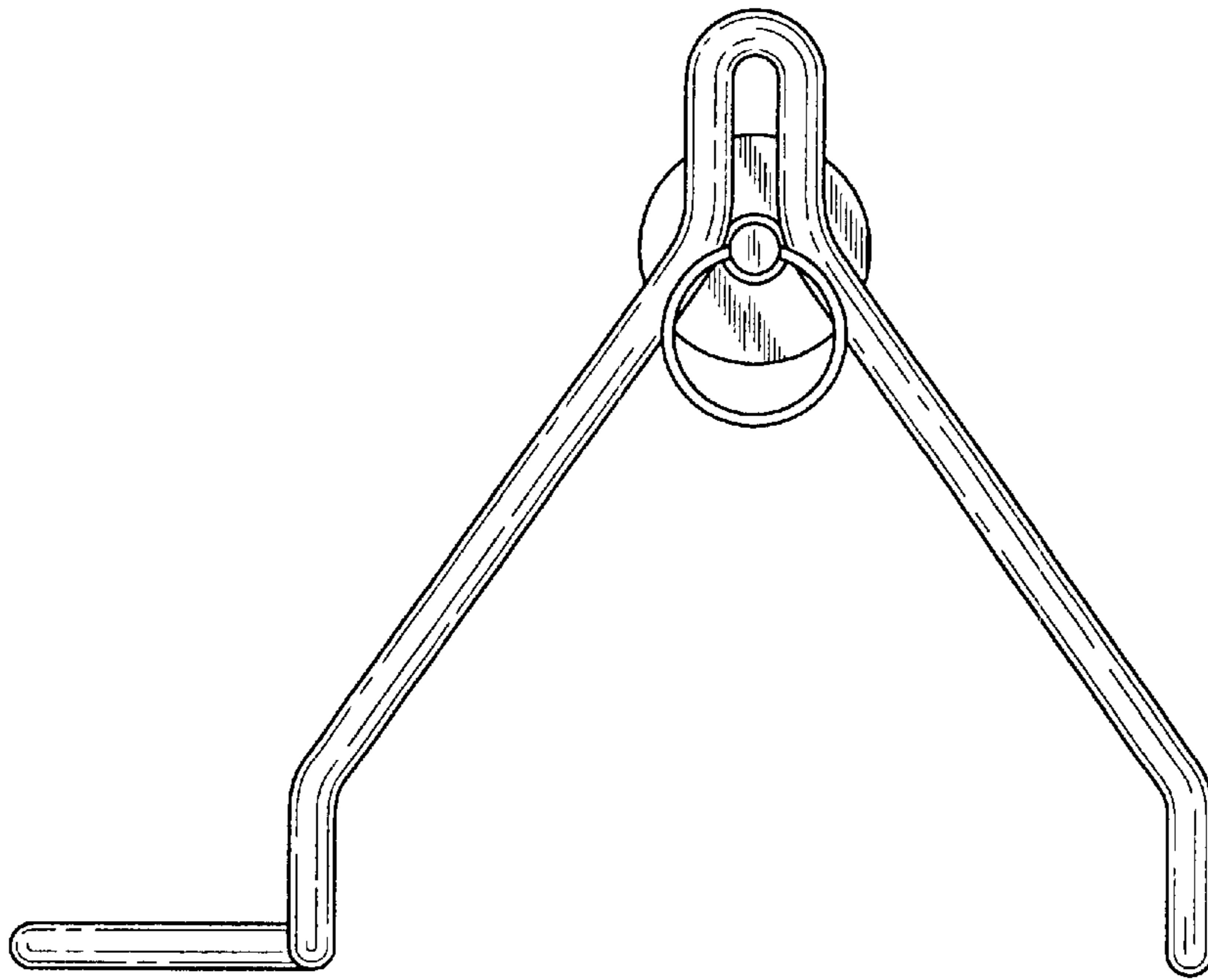


Fig. 3

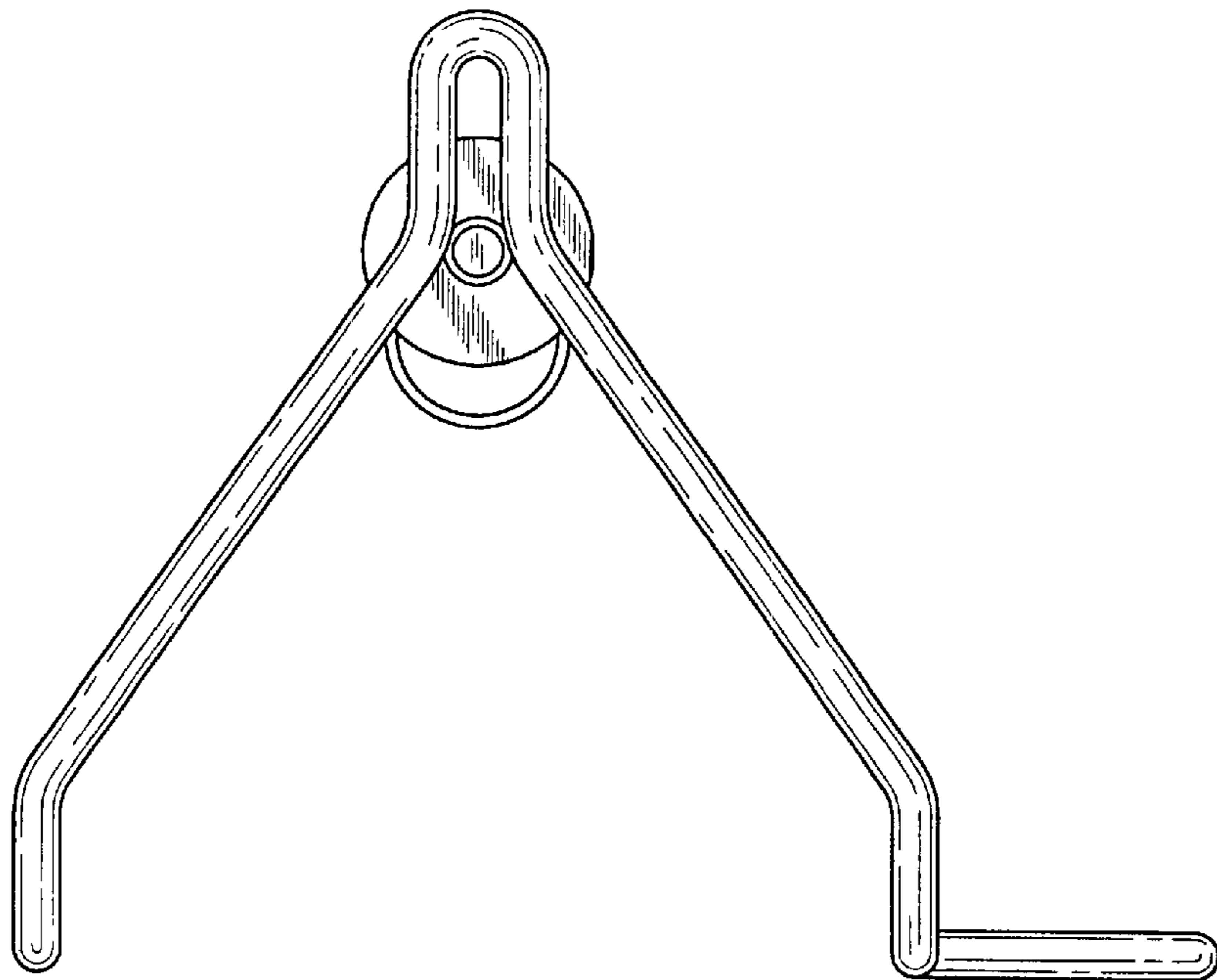


Fig. 4

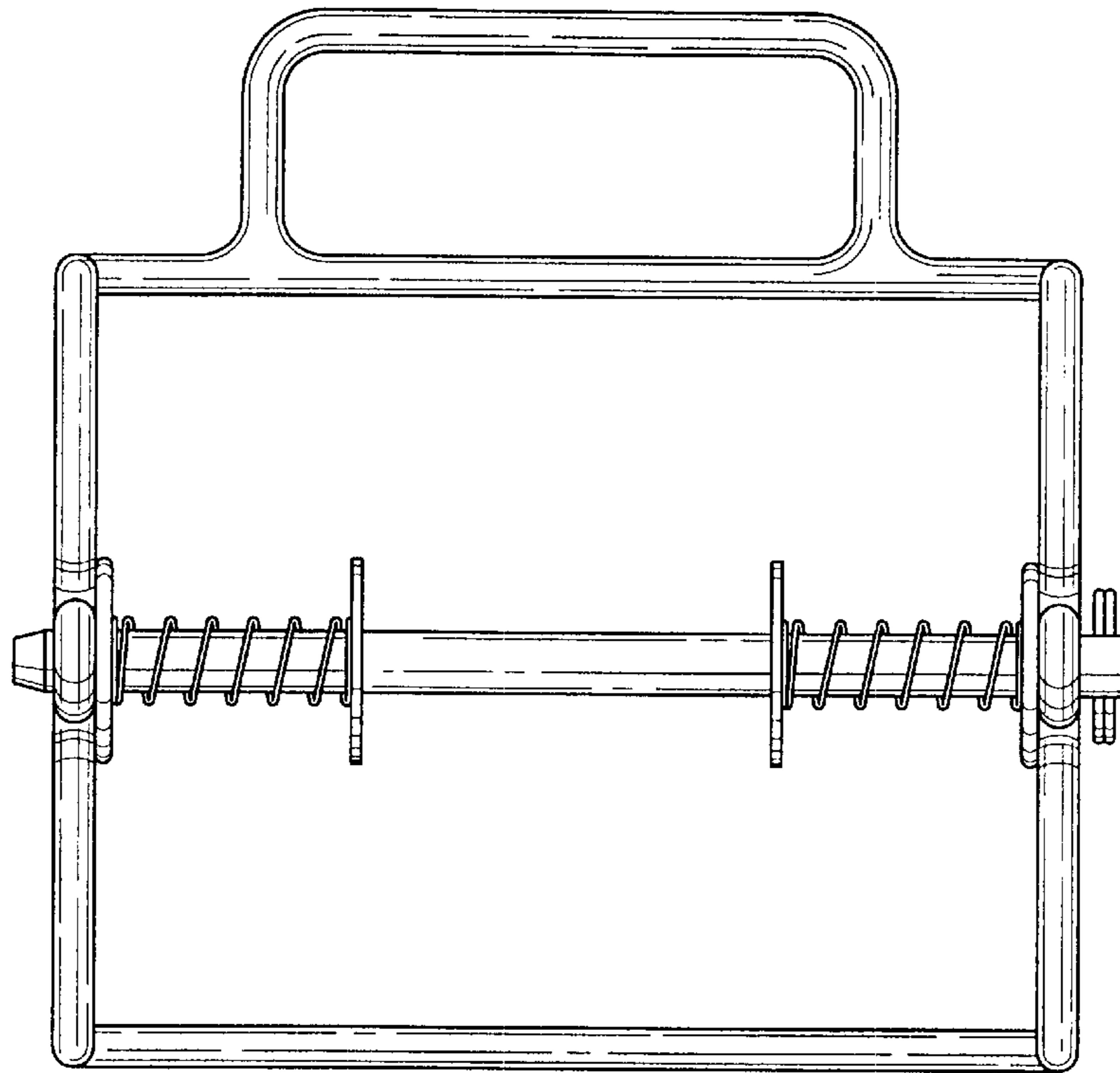


Fig. 5

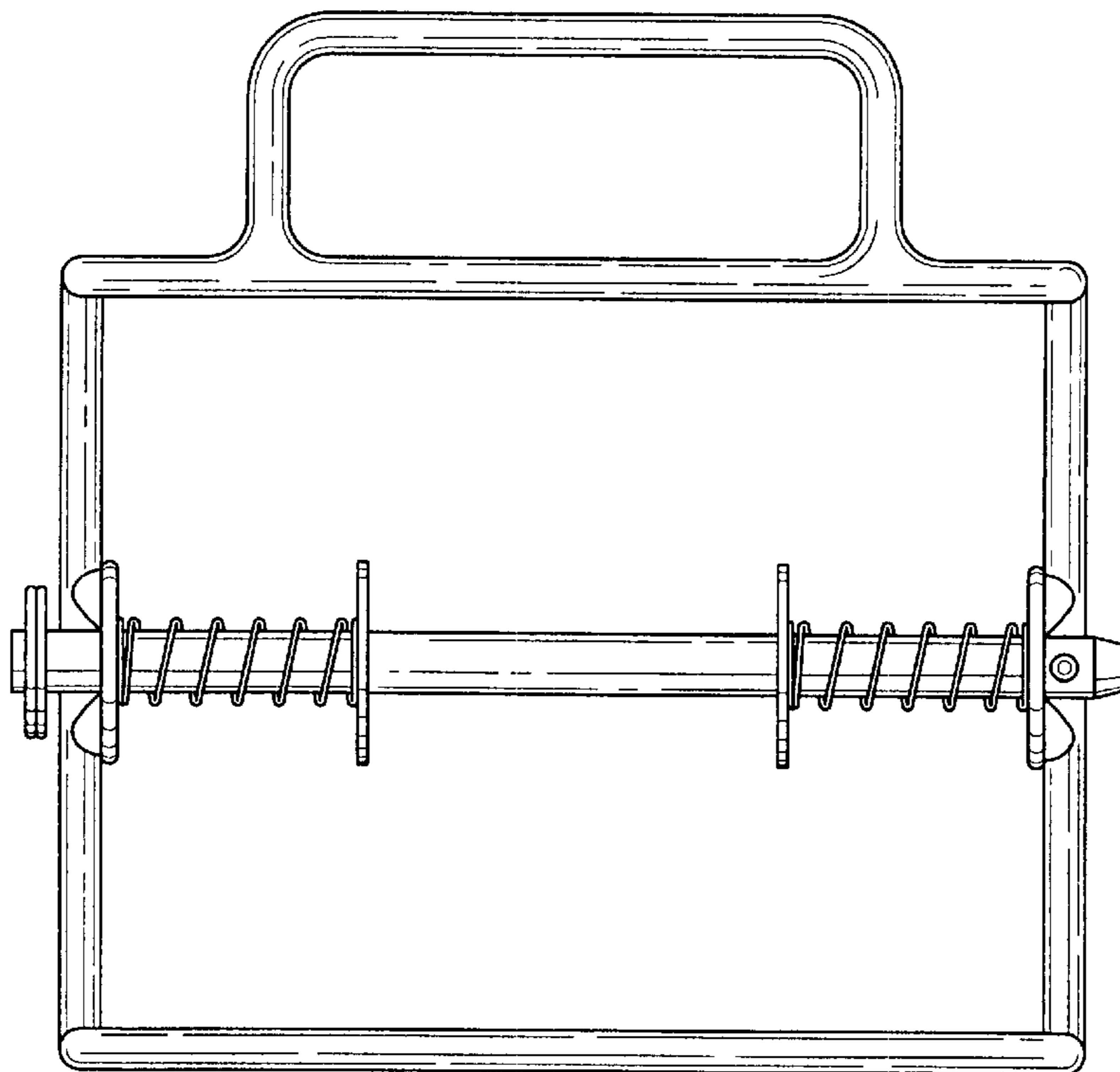


Fig. 6

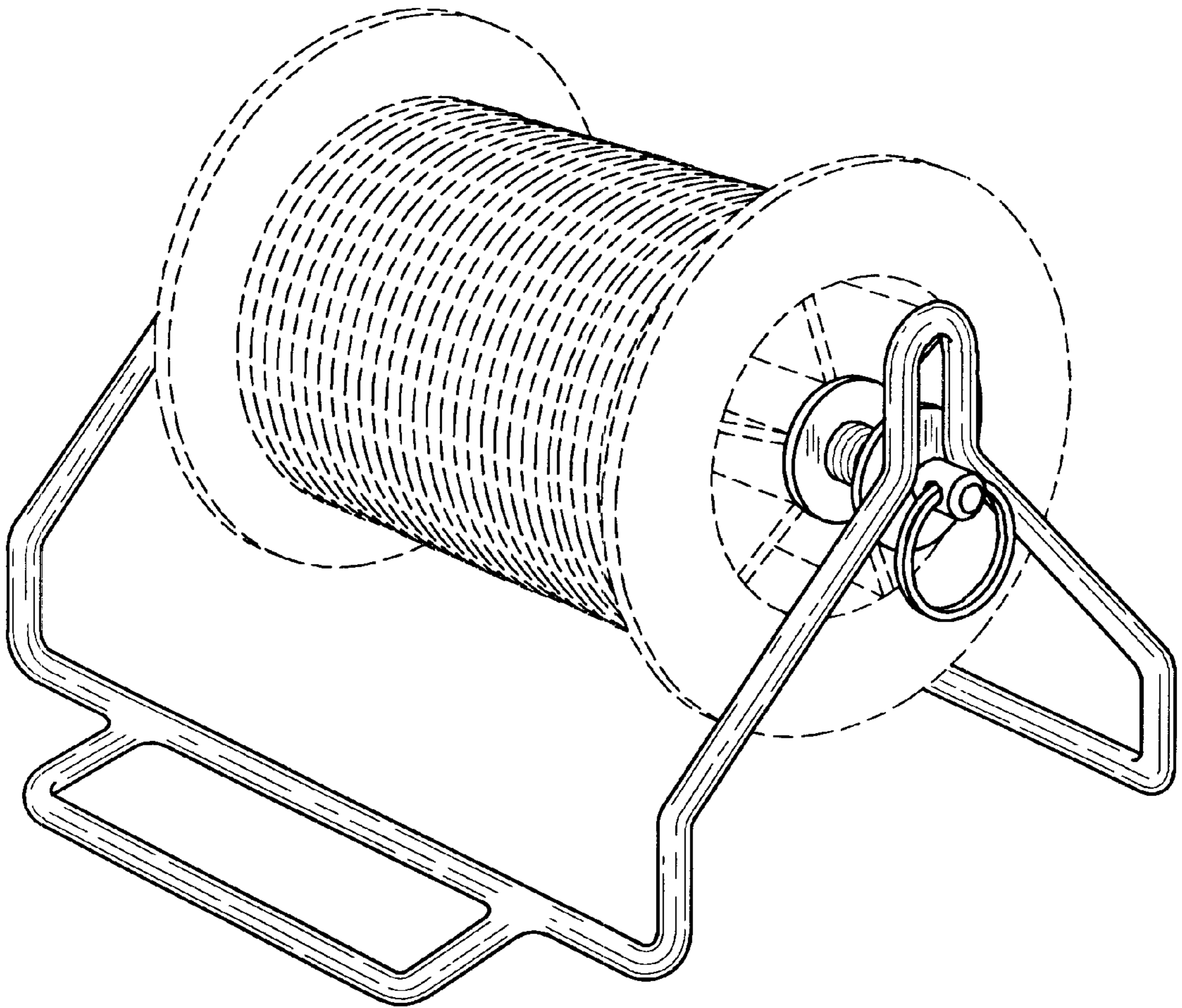


Fig. 7

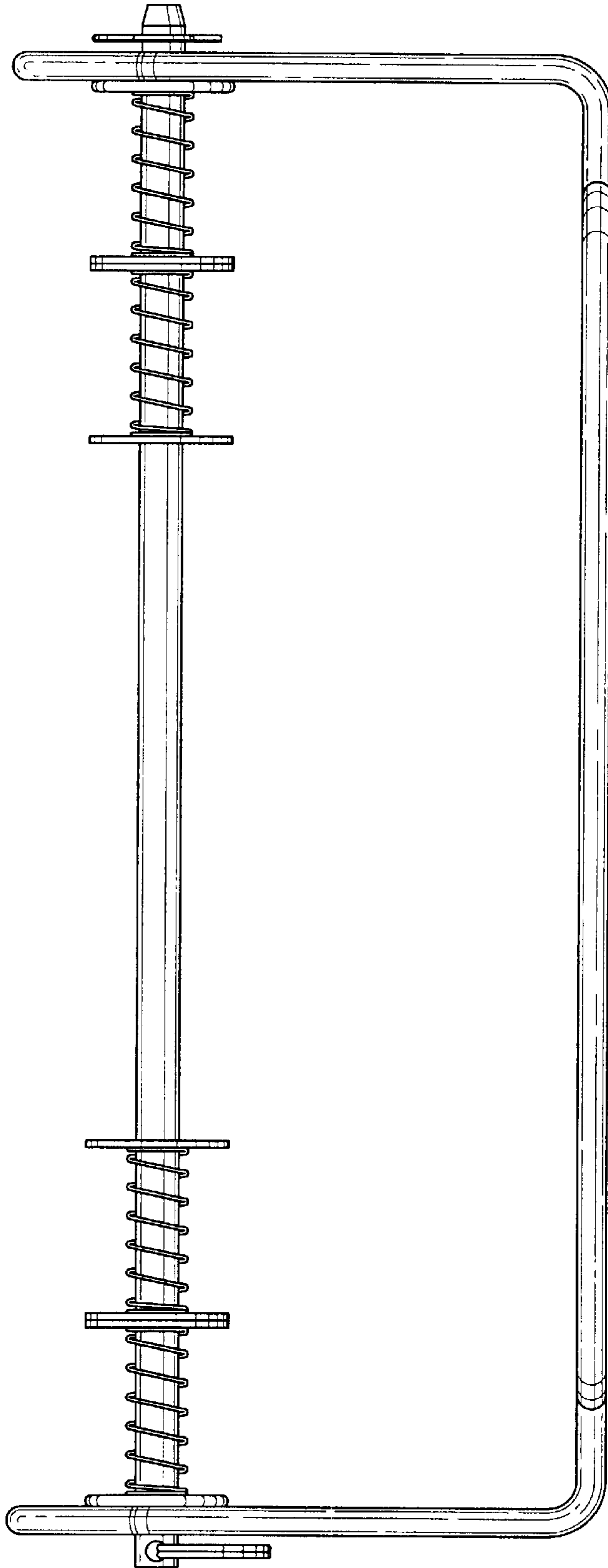


Fig. 8

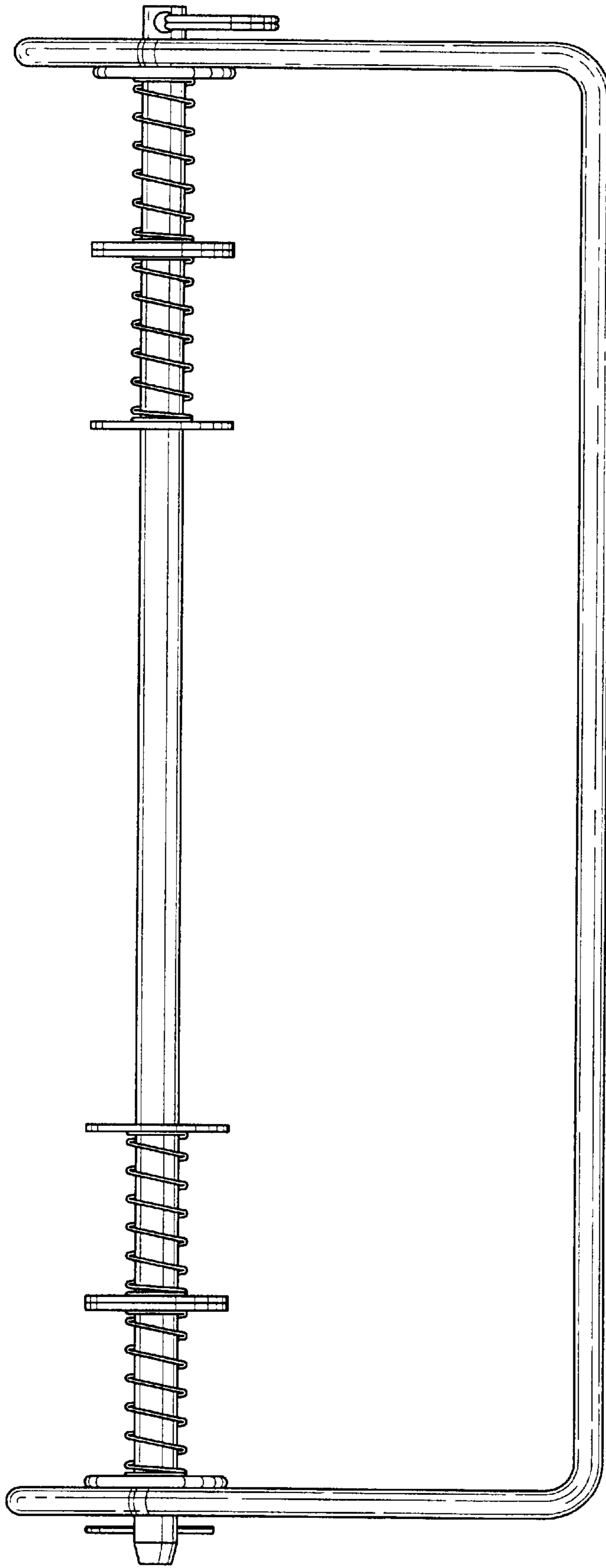


Fig. 9

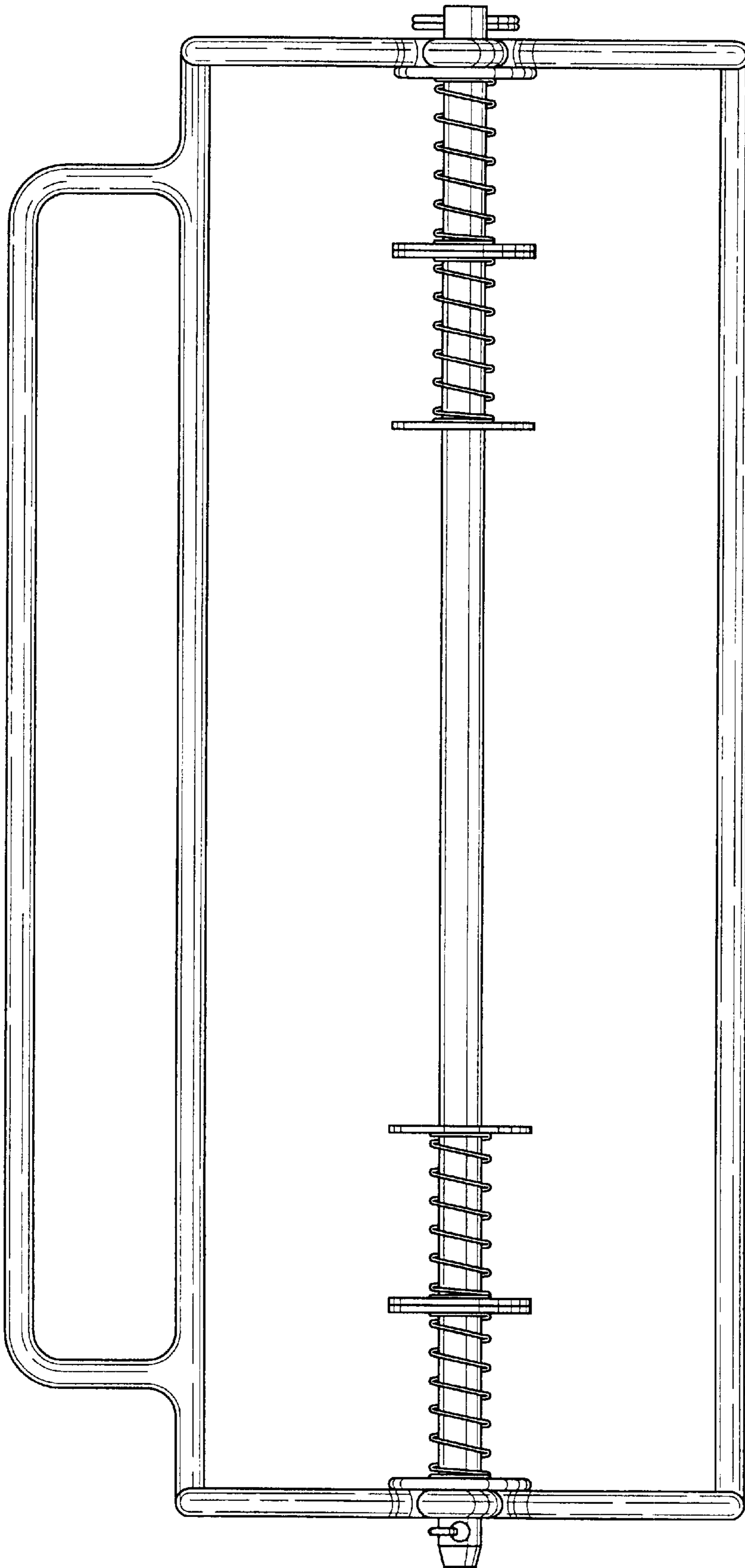


Fig. 10

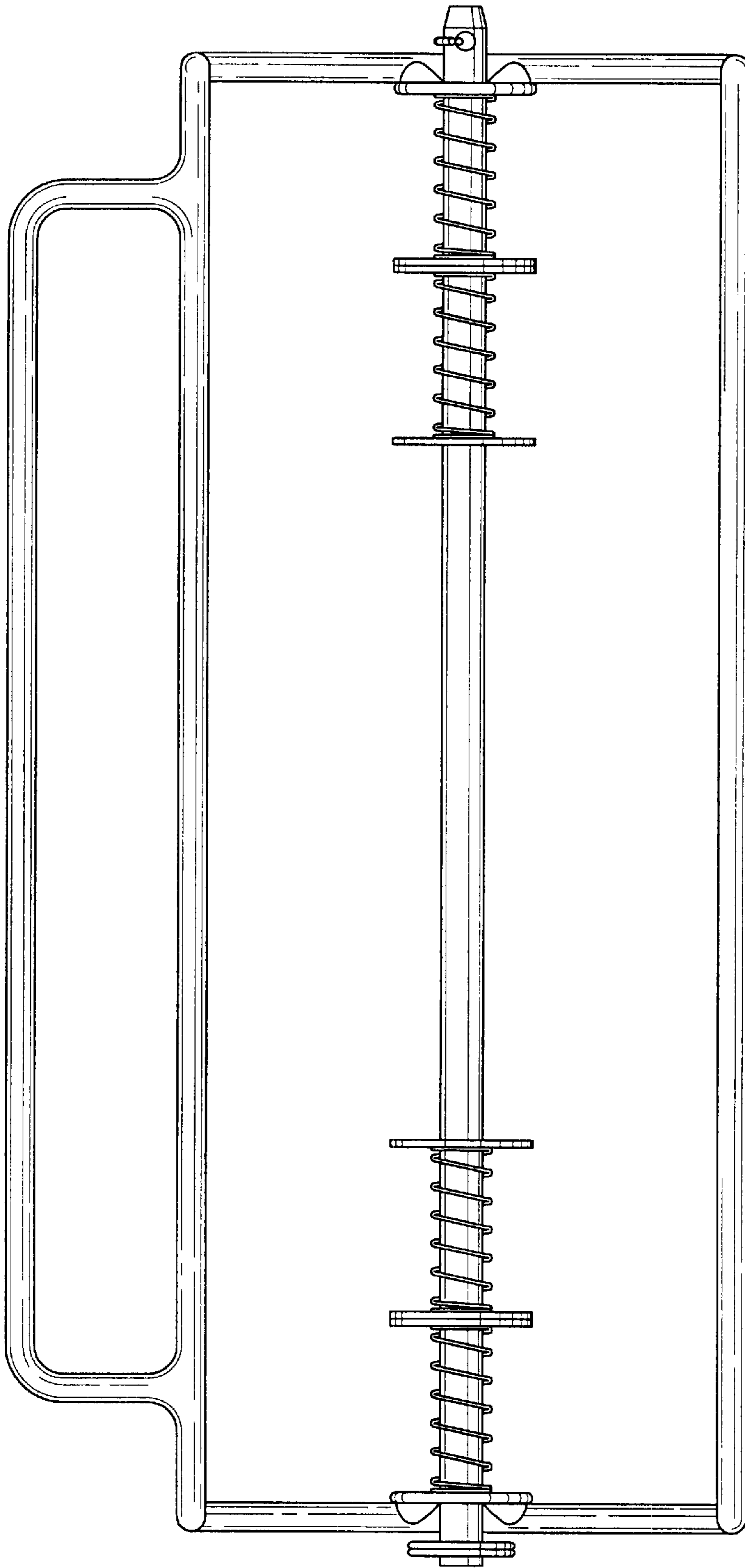


Fig. 11

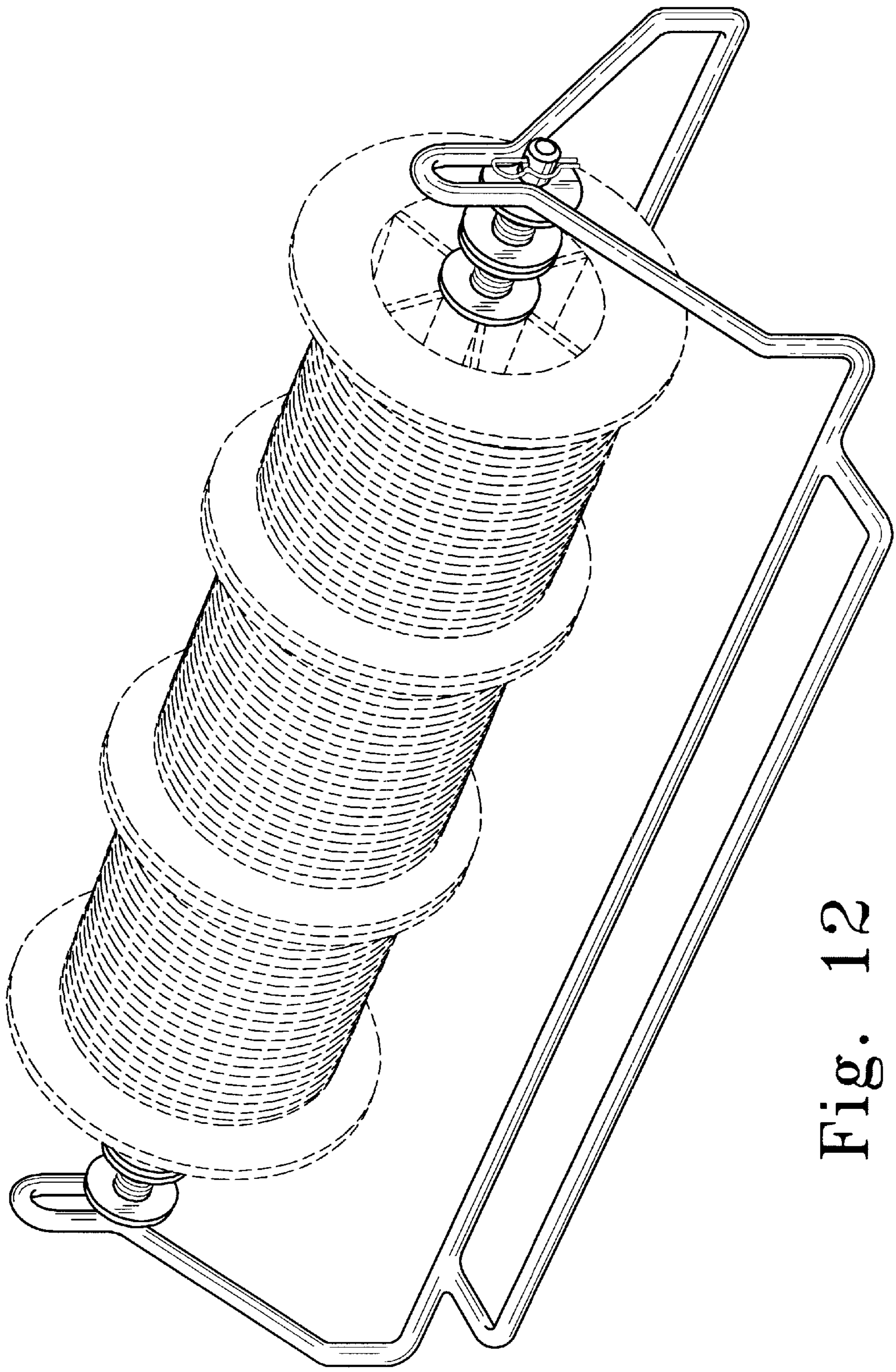


Fig. 12