



US00D460907S

(12) **United States Design Patent**
Geis

(10) **Patent No.:** **US D460,907 S**

(45) **Date of Patent:** **** Jul. 30, 2002**

(54) **CORDLESS SCREWDRIVER**

(75) Inventor: **Wilhelm Geis**, Leufenbach (DE)

(73) Assignee: **Atlas Copco Electric Tools GmbH**,
Winnenden (DE)

(**) Term: **14 Years**

(21) Appl. No.: **29/146,909**

(22) Filed: **Aug. 17, 2001**

(30) **Foreign Application Priority Data**

Feb. 19, 2001 (DE) 4 01 01 678

(51) **LOC (7) Cl.** **08-04**

(52) **U.S. Cl.** **D8/68**

(58) **Field of Search** D8/61, 62, 63,
D8/64, 65, 66, 67, 68, 69, 70, 107; 29/243.525;
74/371; 81/52, 54, 55, 57, 57.11, 57.13,
57.14, 57.42, 57.43, 177.1, 177.4, 177.6,
177.85, 409, 429, 436, 463, 464, 466, 474,
900, 901, DIG. 12; 173/13, 15, 47, 48,
90, 91, 92, 93, 93.5, 93.6, 109, 112, 122,
164, 169, 170, 171, 176, 213, 216, 217;
227/51, 81, 138; 279/9.1, 19.3, 62, 137,
142, 147, 149, 158; 310/50; 320/114; 408/20,
120, 122, 124, 125, 234, 241 R, 241 S;
451/344, 354, 357, 358, 359, 456

(56) **References Cited**

U.S. PATENT DOCUMENTS

D359,215 S * 6/1995 Zurwelle D8/68

D377,442 S * 1/1997 Kikuchi D8/68
D378,268 S * 3/1997 Schultz D8/68
D392,530 S * 3/1998 Lui D8/68
D402,871 S * 12/1998 Clowers et al. D8/68
D420,877 S * 2/2000 Schultz D8/68
D421,883 S * 3/2000 Watson et al. D8/68
D428,320 S * 7/2000 Ohi et al. D8/68
D435,414 S * 12/2000 Etter et al. D8/68

* cited by examiner

Primary Examiner—Doris V. Coles

Assistant Examiner—T. Chase Nelson

(74) *Attorney, Agent, or Firm*—Gudrun E. Huckett

(57) **CLAIM**

The ornamental design for a cordless screwdriver, as shown.

DESCRIPTION

FIG. 1 is a perspective view of my novel cordless screwdriver;

FIG. 2 is a top plan view of my novel cordless screwdriver;

FIG. 3 is a side view of the right side, when viewed from the screw bit receiving end of my novel cordless screwdriver;

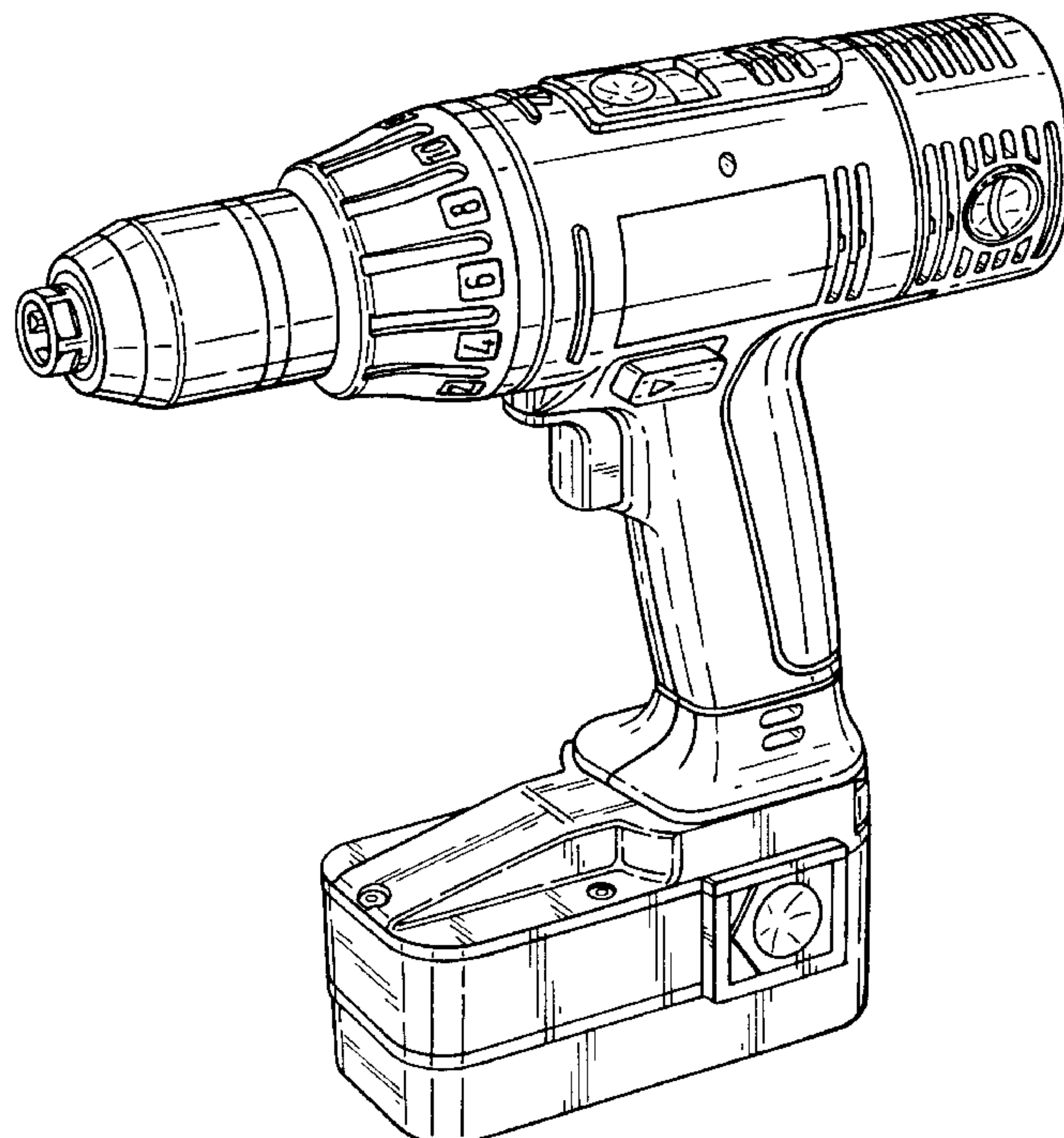
FIG. 4 is a side view of the left side, when viewed from the screw bit receiving end of my novel cordless screwdriver;

FIG. 5 is a bottom plan view of my novel cordless screwdriver with the screw bit receiving end facing to the right;

FIG. 6 is a rear view of my novel cordless screwdriver; and,

FIG. 7 is a front view onto the screw bit receiving end of my novel cordless screwdriver.

1 Claim, 4 Drawing Sheets



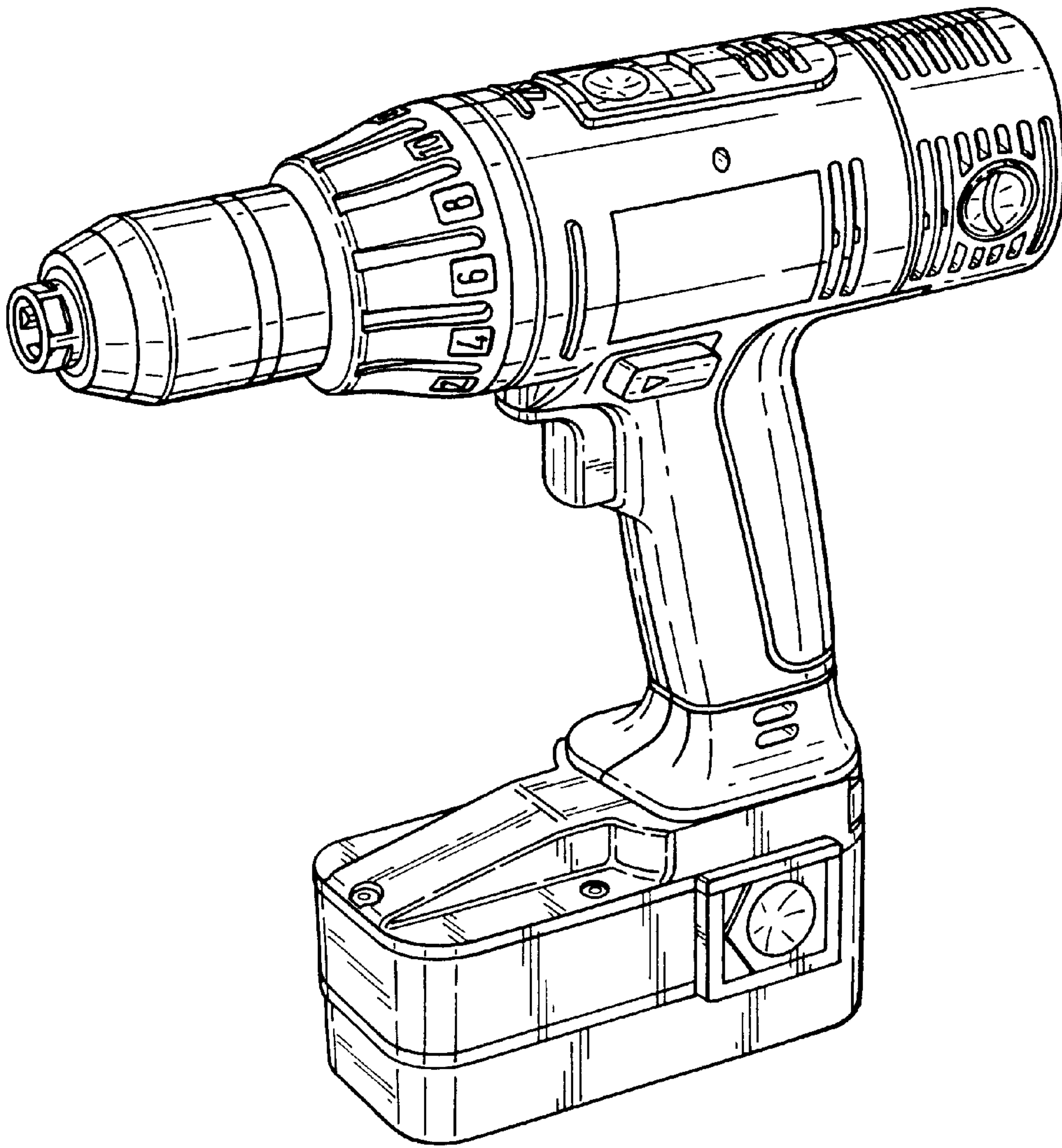


Fig. 1

Fig. 2

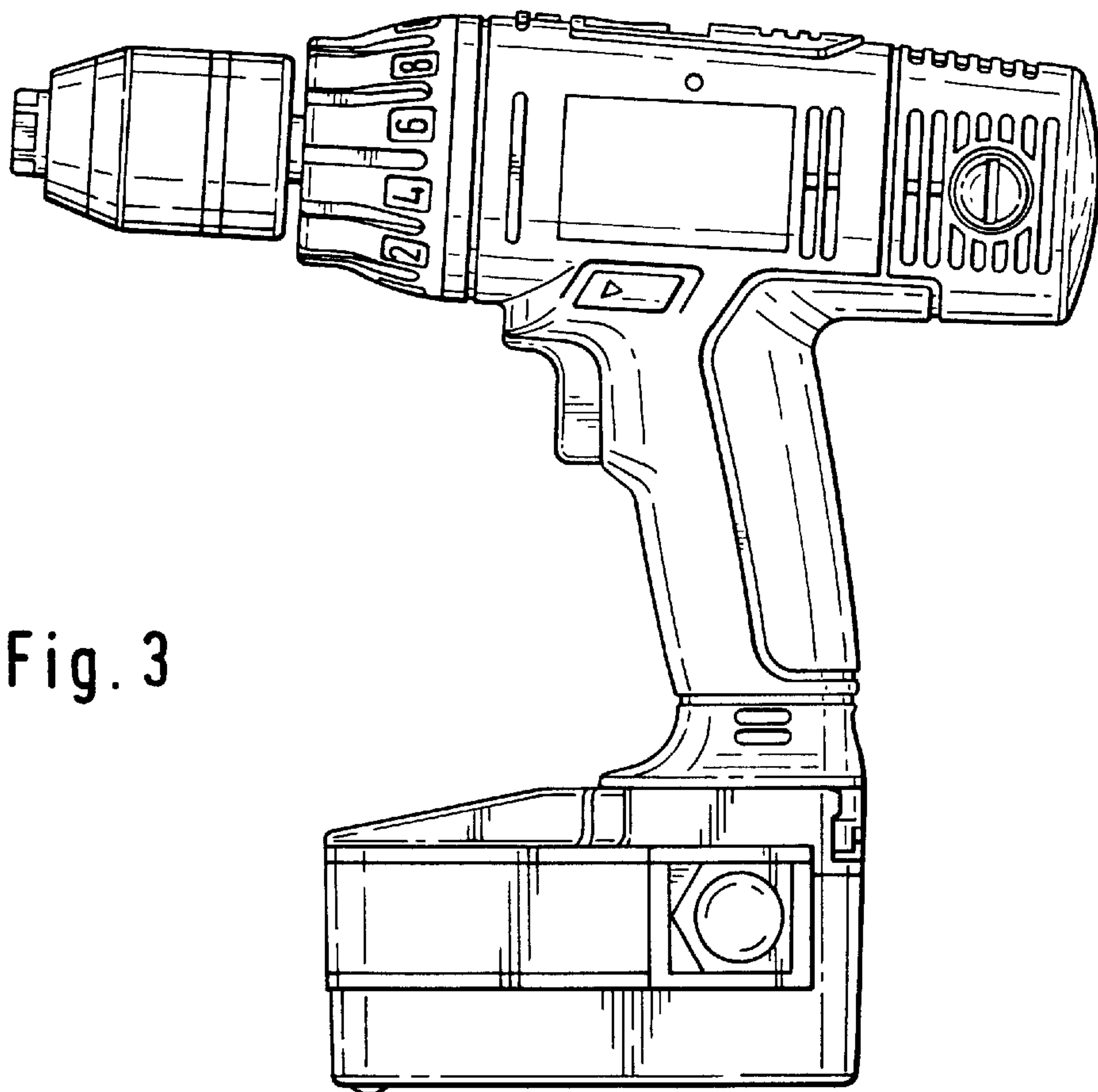
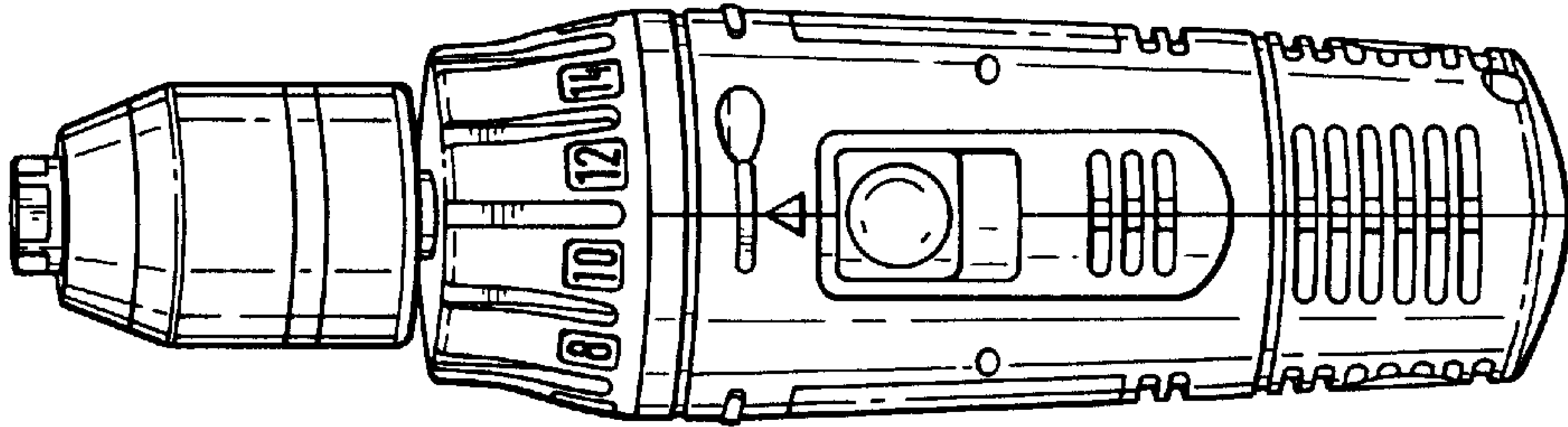


Fig. 3

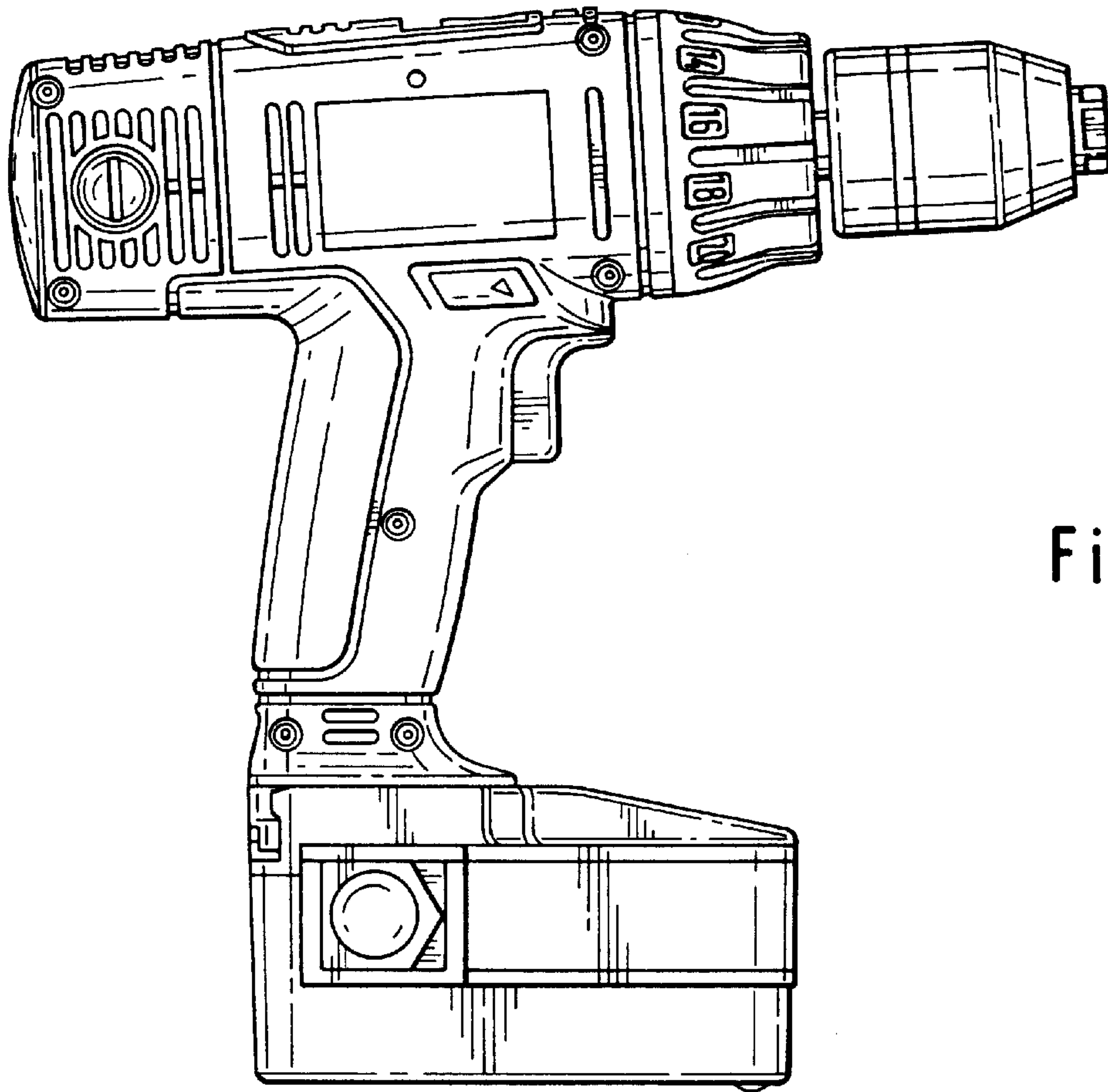


Fig. 4

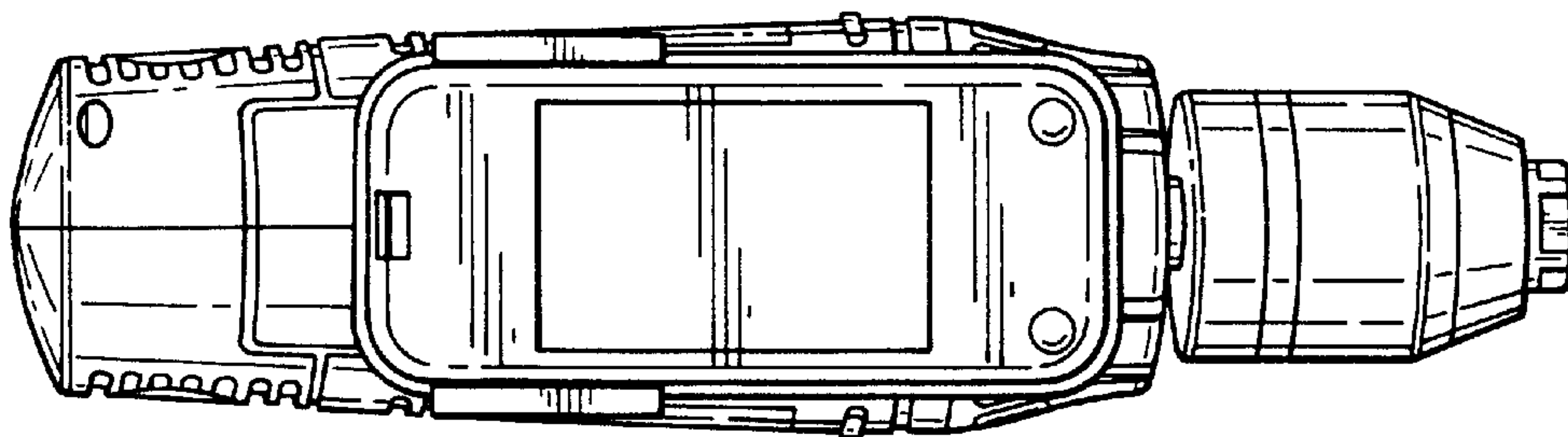


Fig. 5

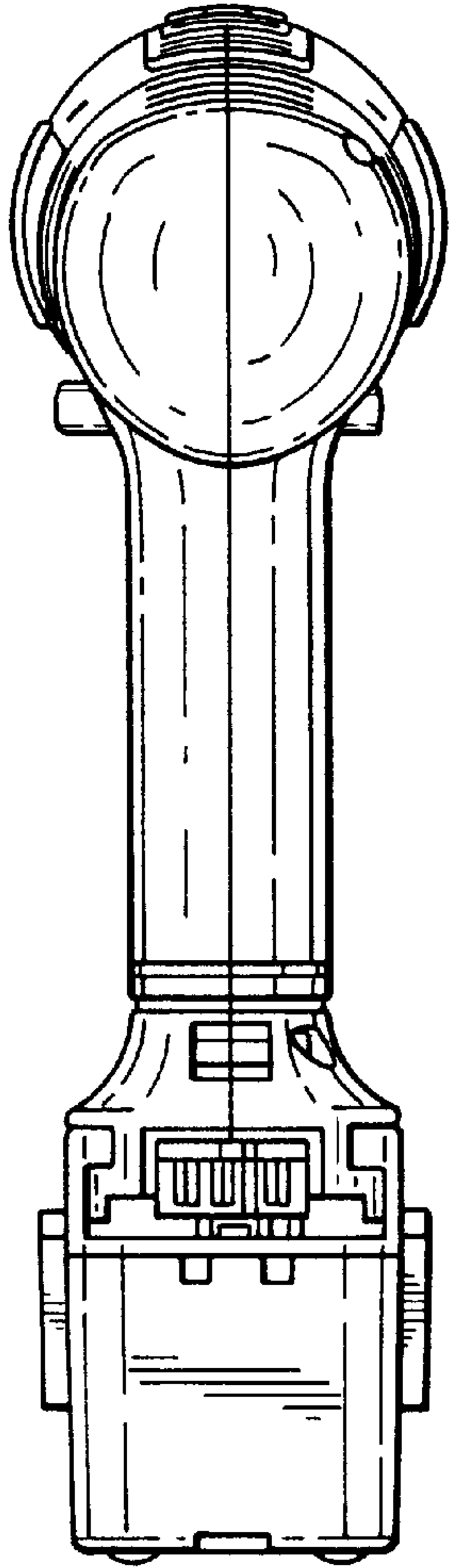


Fig. 6

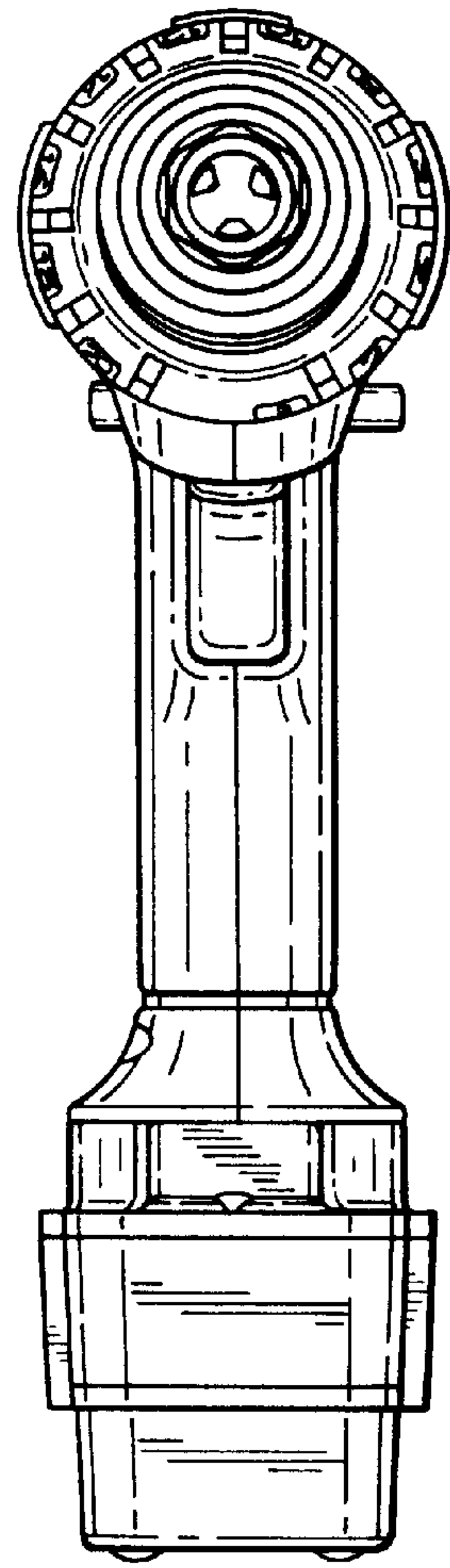


Fig. 7