



US00D460904S

(12) **United States Design Patent**
Riley et al.

(10) **Patent No.:** **US D460,904 S**

(45) **Date of Patent:** **** Jul. 30, 2002**

(54) **CUTTING HEAD FOR A STRING TRIMMER**

(75) Inventors: **Martyn Riley**, Newcastle Upon Tyne;
Mike Wilson, County Durham, both of
(GB)

(73) Assignee: **Black & Decker, Inc.**, Newark, DE
(US)

(**) Term: **14 Years**

(21) Appl. No.: **29/143,596**

(22) Filed: **Jun. 15, 2001**

(30) **Foreign Application Priority Data**

Nov. 28, 2000 (GB) 2097772

(51) **LOC (7) Cl.** **08-01**

(52) **U.S. Cl.** **D8/8**

(58) **Field of Search** D8/1, 7, 8; 56/DIG. 17,
56/12.7; 30/276, 347

(56) **References Cited**

U.S. PATENT DOCUMENTS

4,145,809 A * 3/1979 Proulx 30/276

D362,600 S * 9/1995 Kiyooka et al. D8/8

5,791,054 A * 8/1998 Bessinger 30/276

D399,104 S * 10/1998 Sutliff et al. D8/8

6,119,350 A * 9/2000 Sutliff et al. 30/276

6,163,964 A * 12/2000 Calcinaï 30/347

* cited by examiner

Primary Examiner—Robin V. Taylor

(74) *Attorney, Agent, or Firm*—Ajay K. Gambhir

(57) **CLAIM**

The ornamental design for a cutting head for string trimmer,
as shown and described.

DESCRIPTION

FIG. 1 is a perspective overhead view of a cutting head for
a string trimmer;

FIG. 2 is perspective view of the bottom of the cutting head
for a string trimmer;

FIG. 3 is a side view thereof;

FIG. 4 is a side view of the side opposite that illustrated in
FIG. 3;

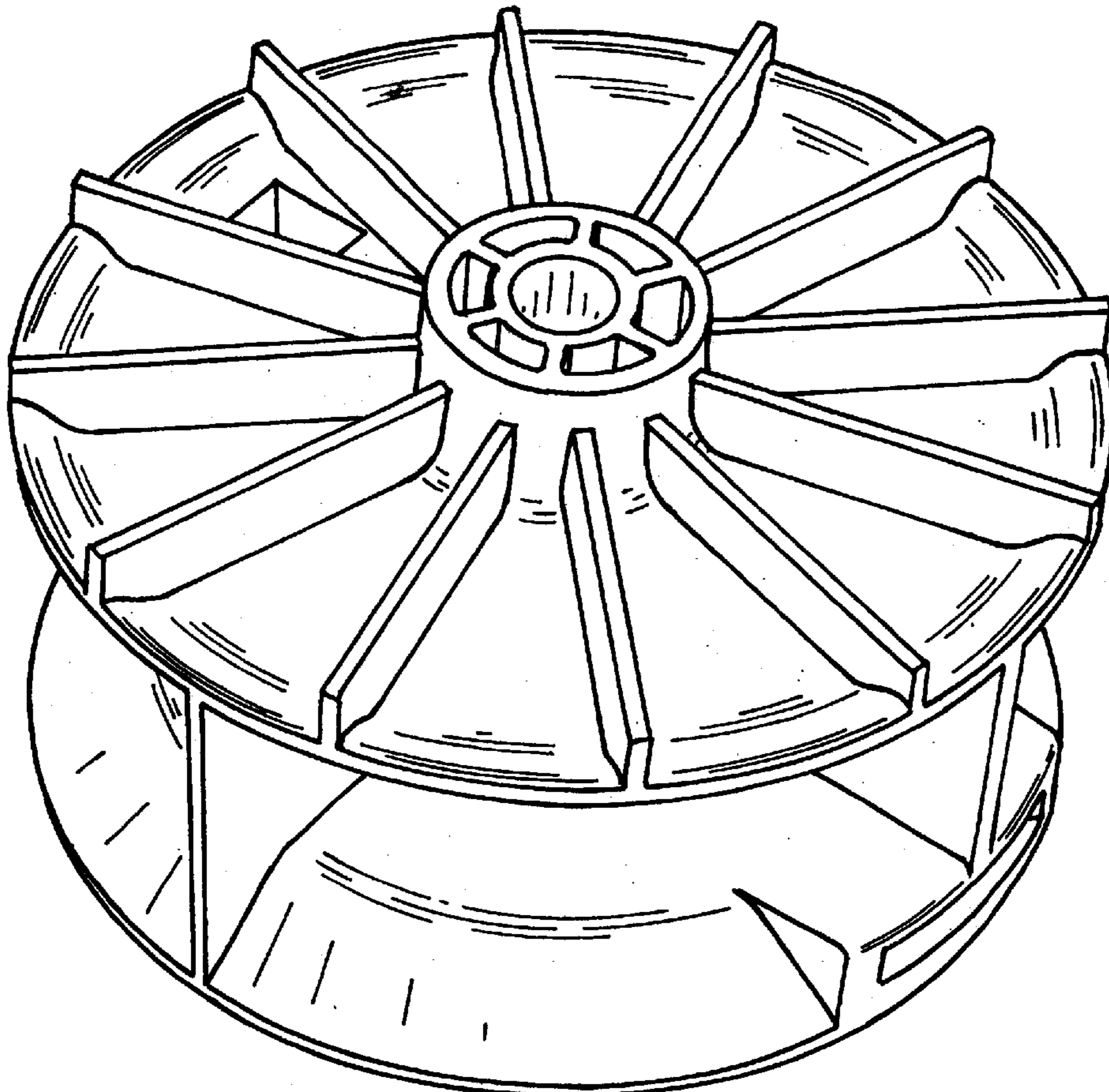
FIG. 5 is a front view thereof;

FIG. 6 is a rear view thereof;

FIG. 7 is a top view thereof; and,

FIG. 8 is a view from beneath.

1 Claim, 5 Drawing Sheets



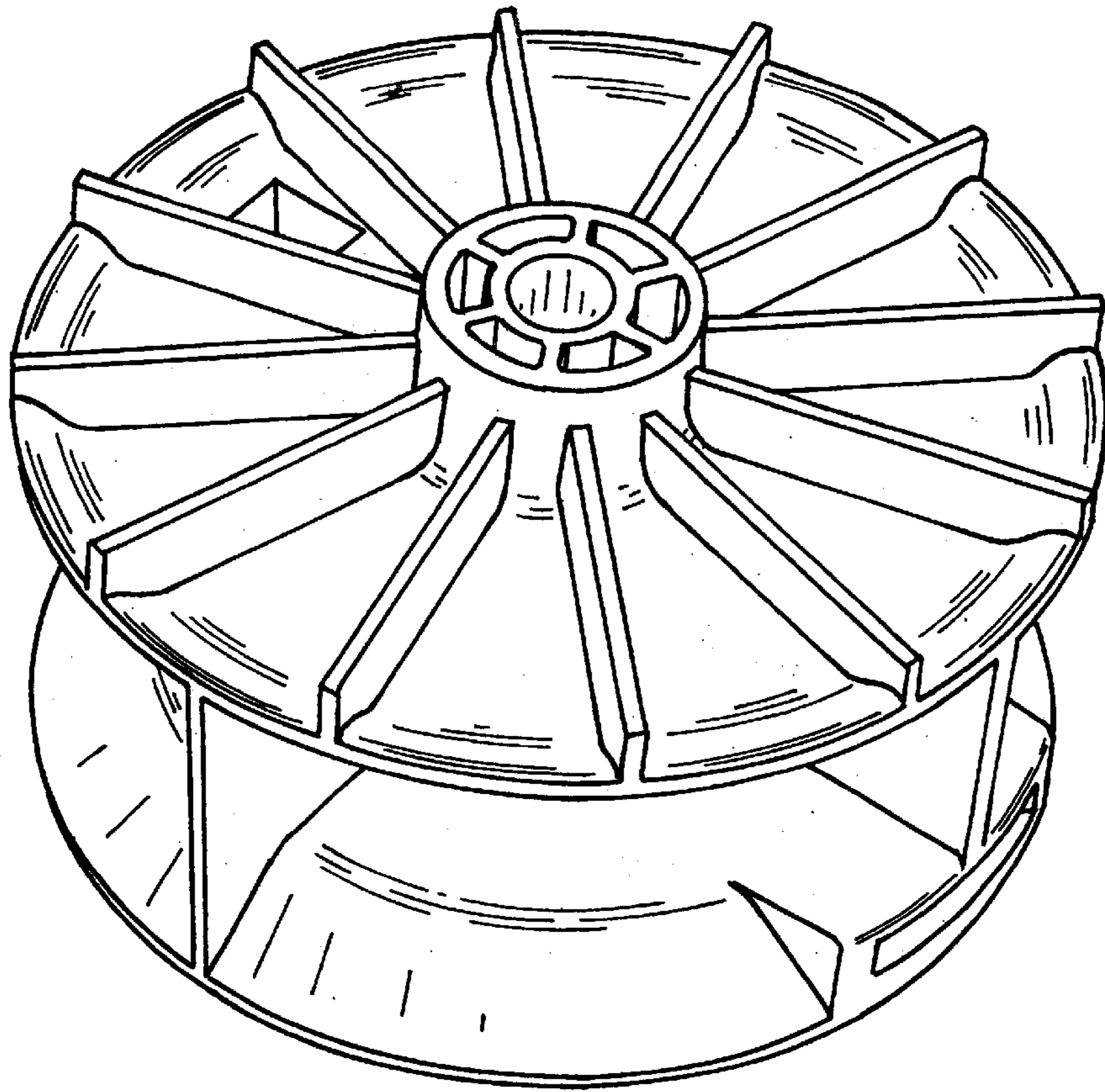


FIG. 1

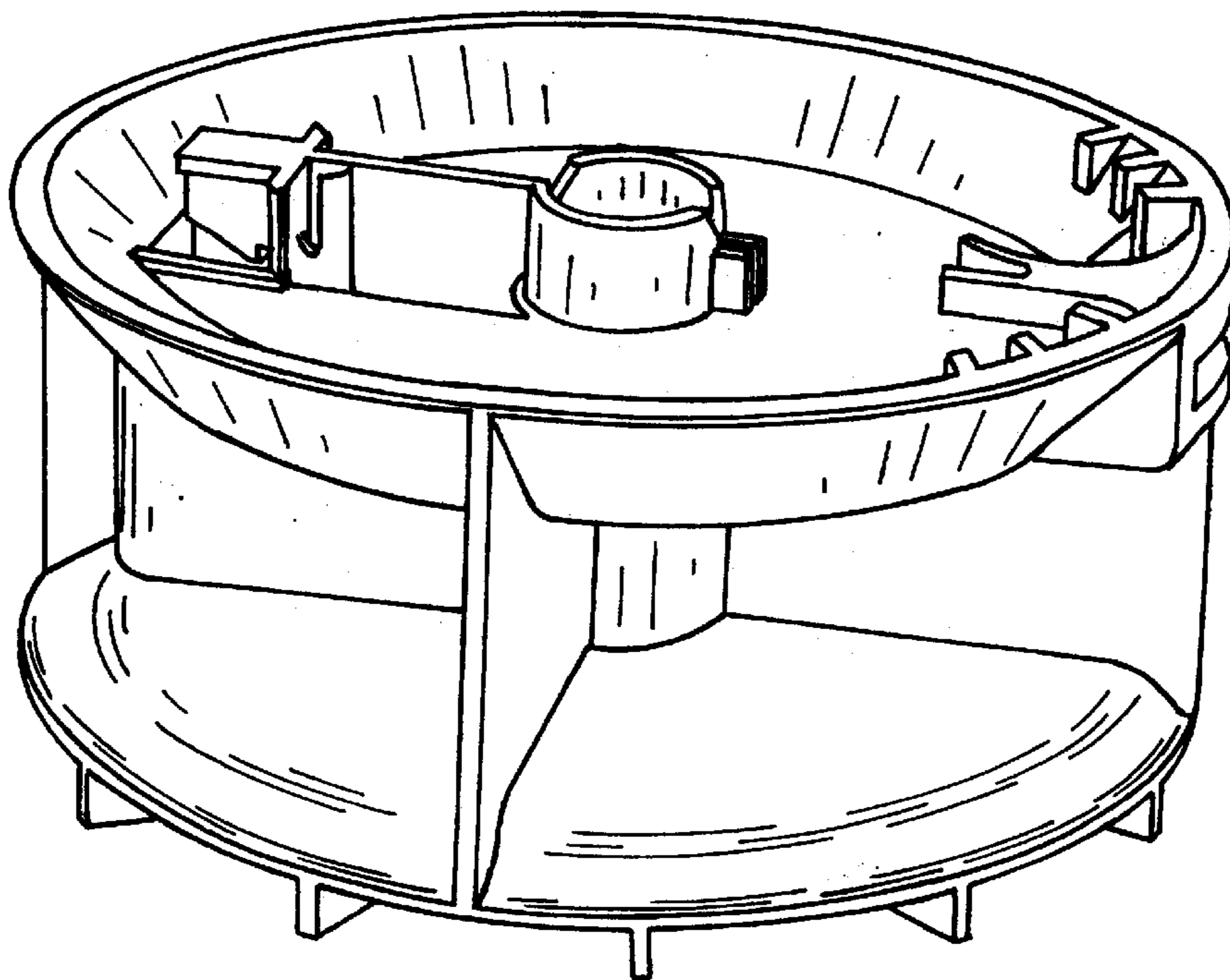


FIG. 2

FIG. 3

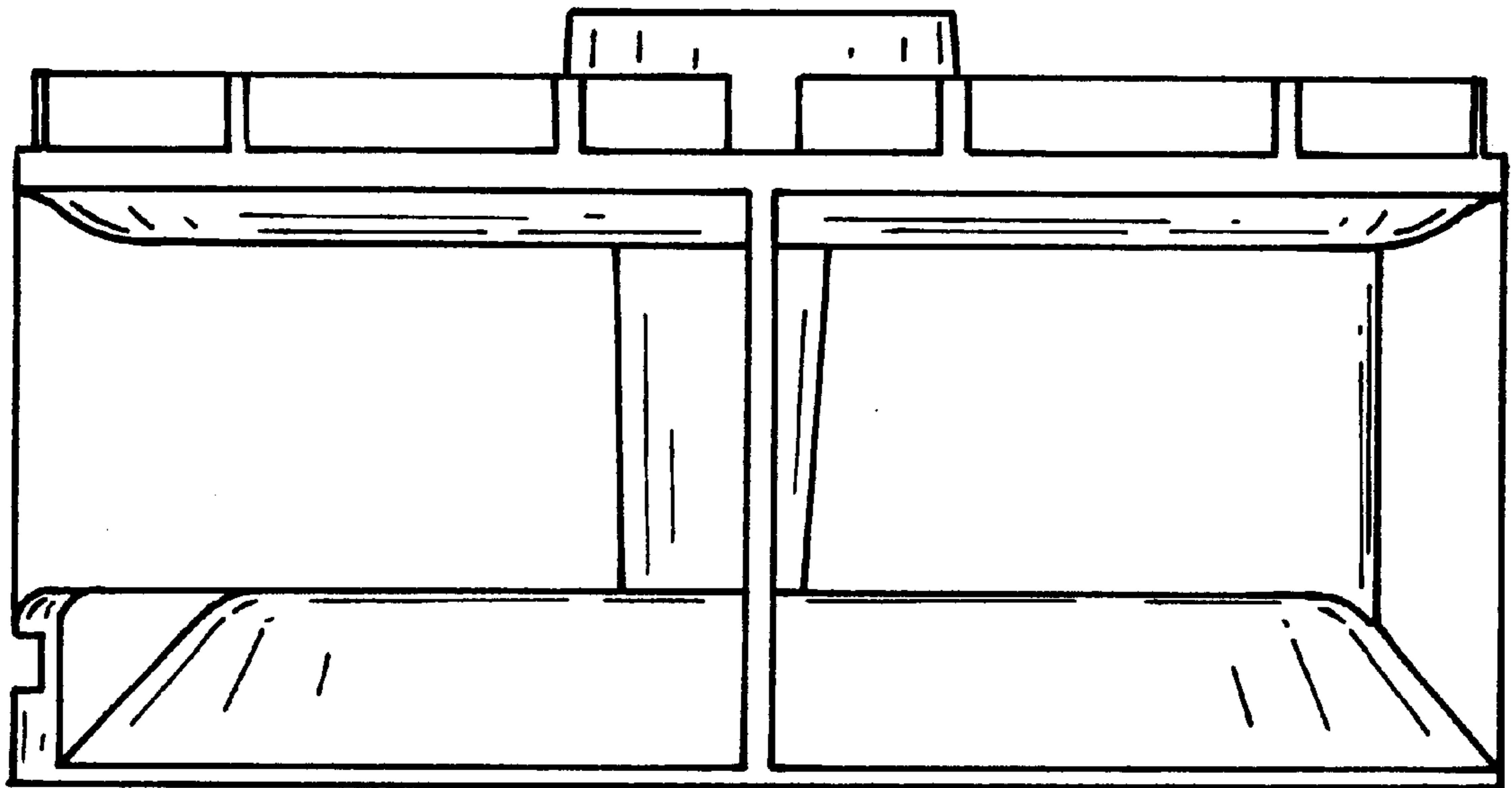


FIG. 4

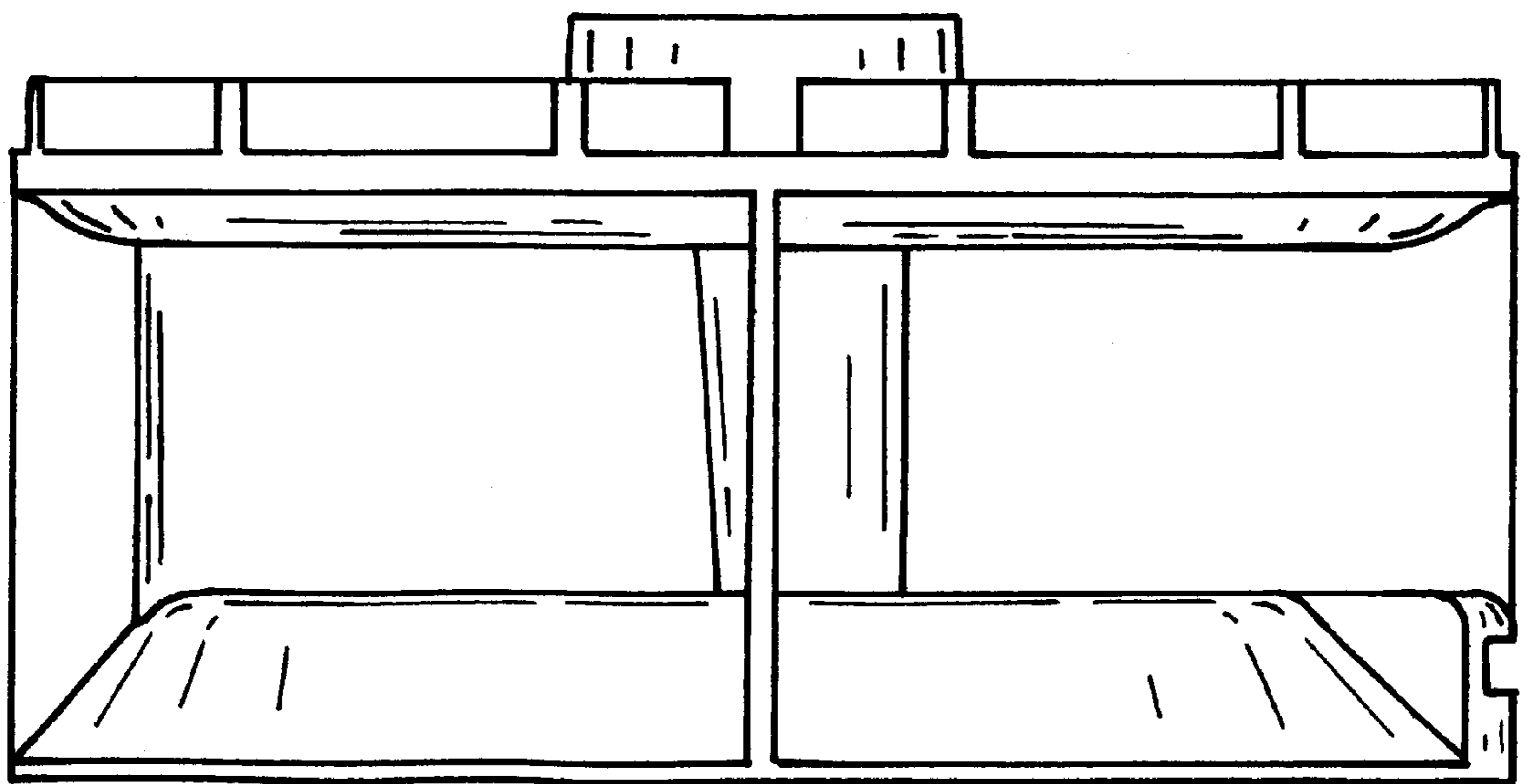


FIG. 5

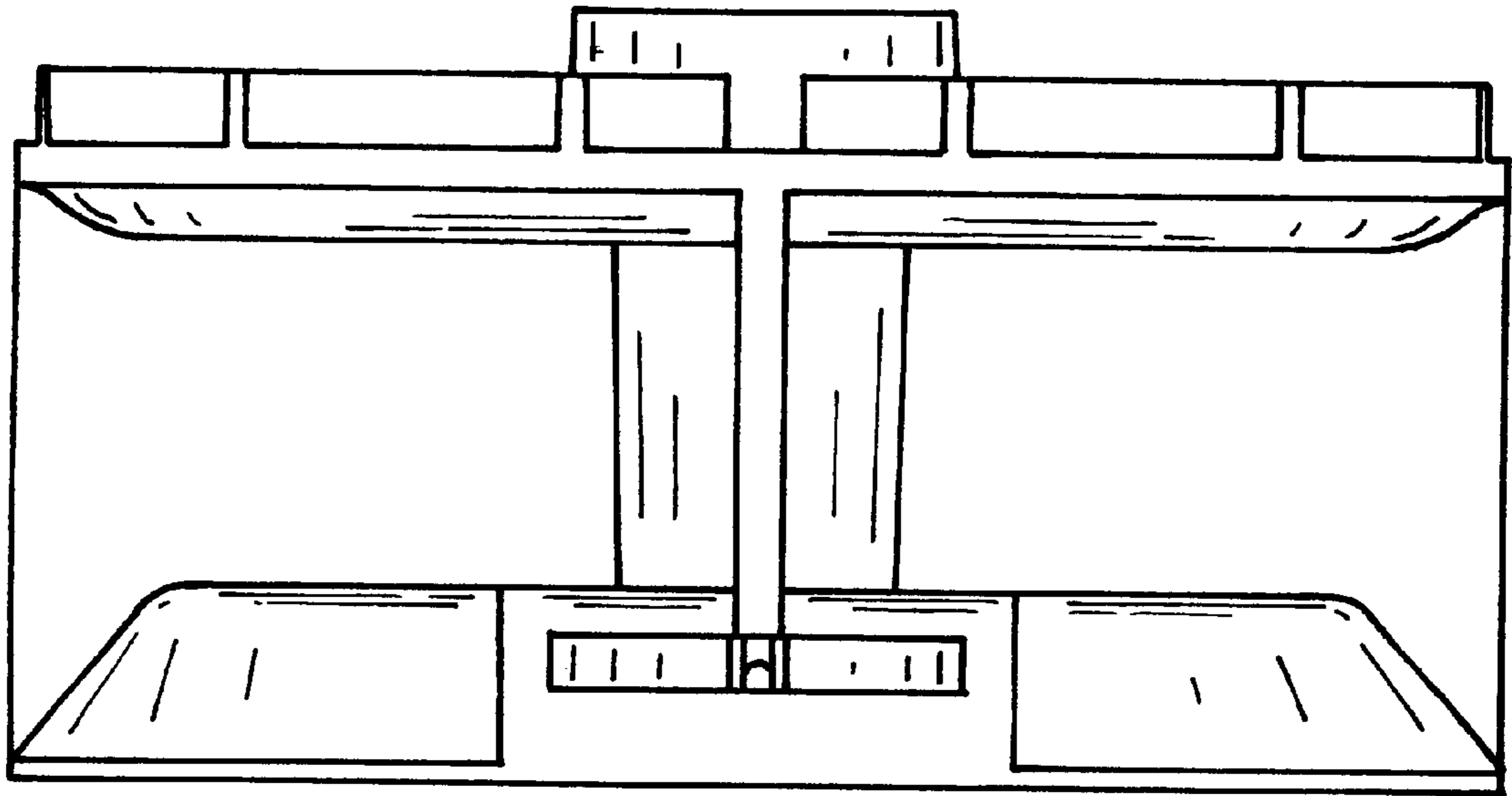
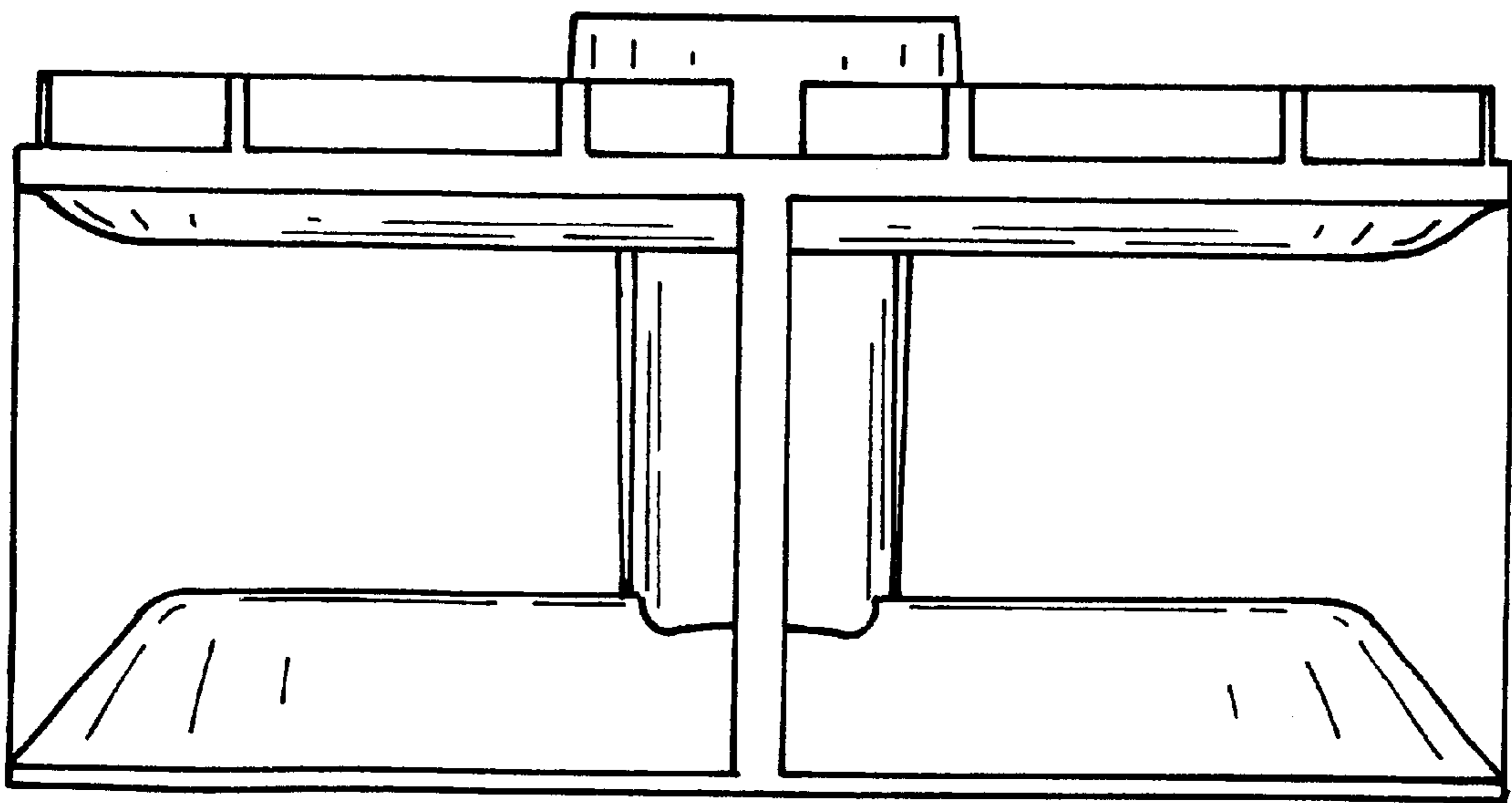


FIG. 6



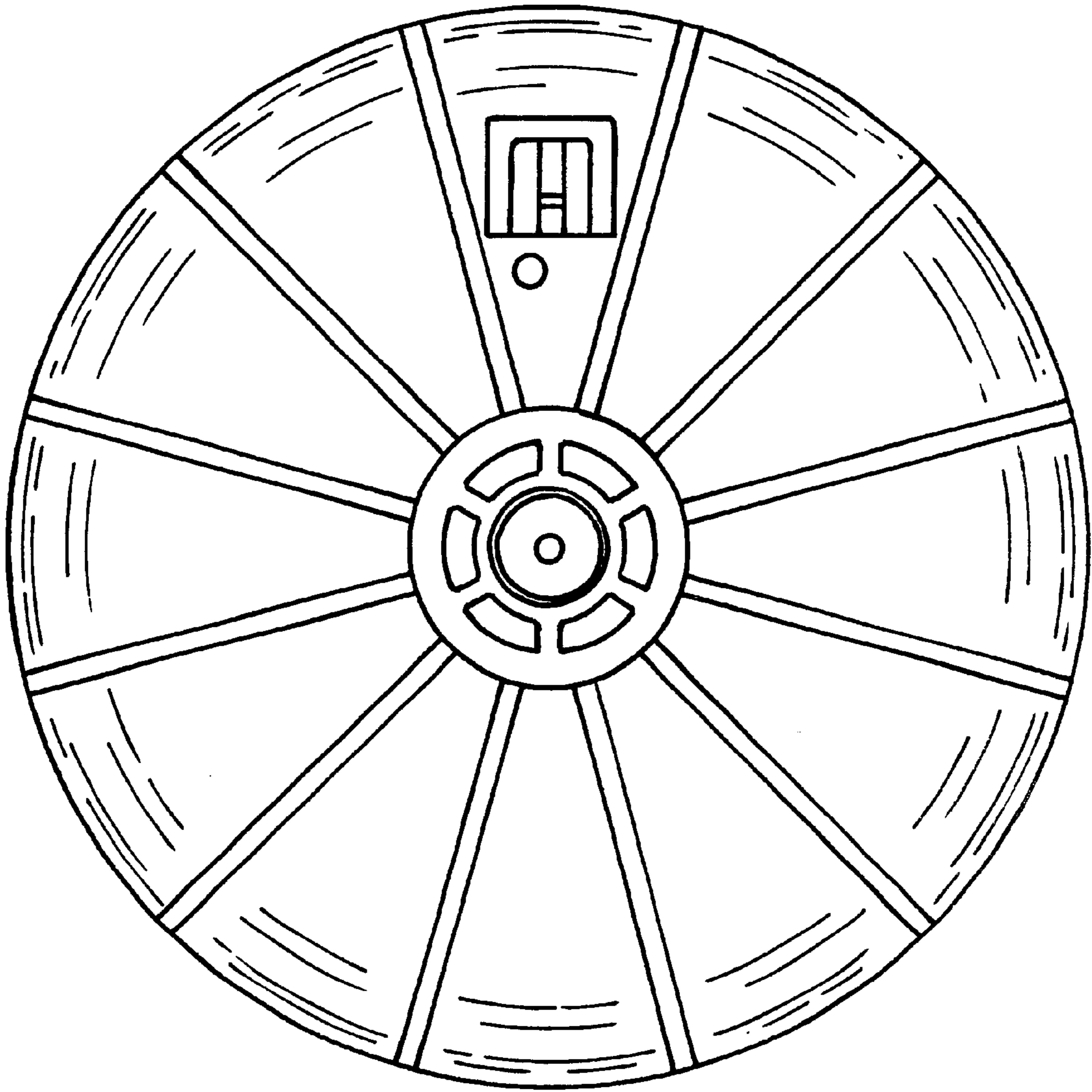


FIG. 7

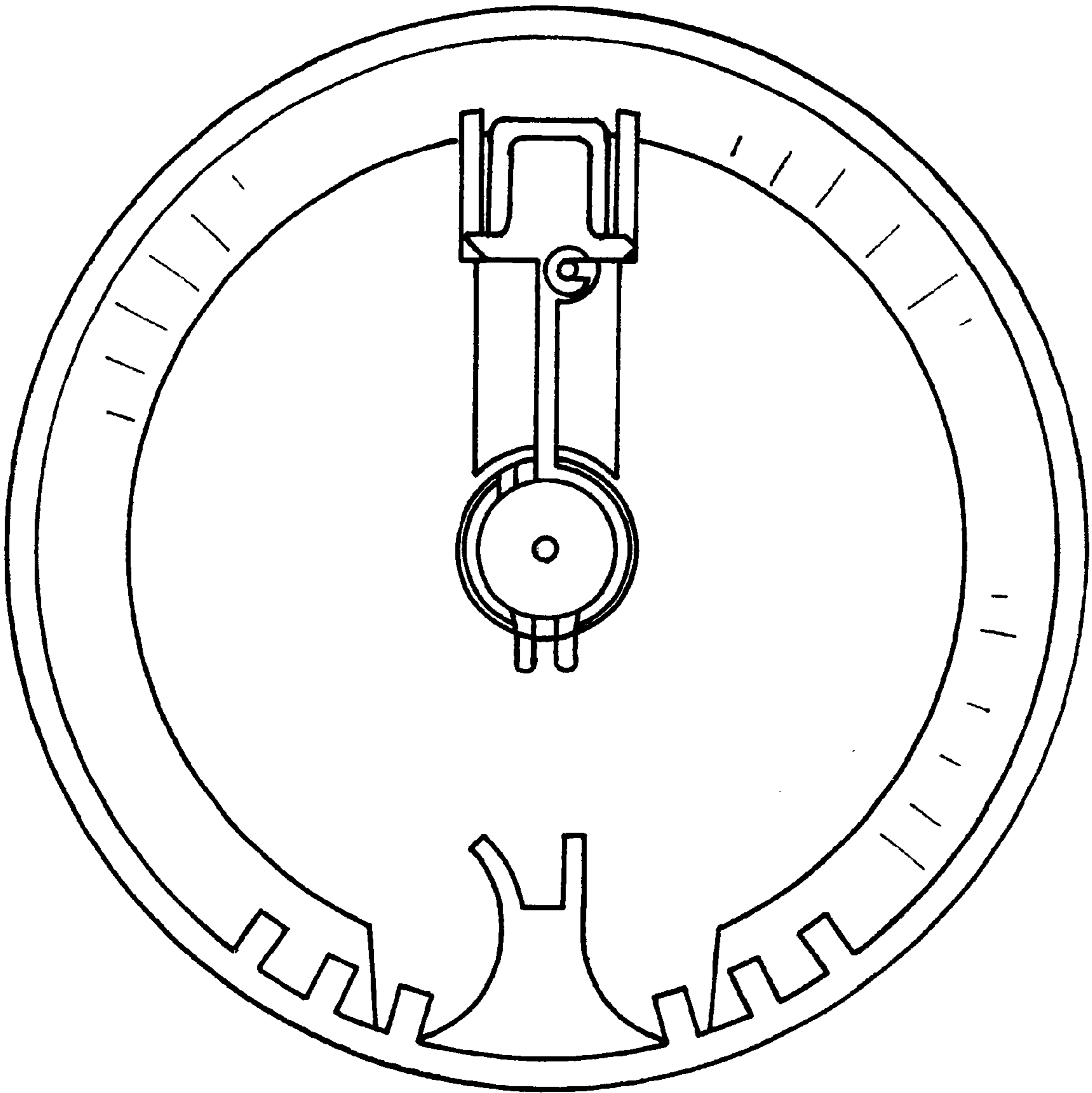


FIG. 8