



US00D460898S

(12) **United States Design Patent**  
**Wang**

(10) **Patent No.:** **US D460,898 S**

(45) **Date of Patent:** **\*\* Jul. 30, 2002**

(54) **LINING FOR ICE PAIL**

(76) Inventor: **Jin-Chiao Wang**, No. 18, Lane 16,  
Ta-An Kang Rd., Ta-Chia Chen,  
Taichung Hsien (TW)

(\*\*) Term: **14 Years**

(21) Appl. No.: **29/144,398**

(22) Filed: **Jul. 3, 2001**

(51) **LOC (7) Cl.** ..... **07-01**

(52) **U.S. Cl.** ..... **D7/603**

(58) **Field of Search** ..... D7/602-608, 612-615,  
D7/629; 62/371, 372, 457.1, 457.8; 220/737,  
739, 915.1, 915.2; D9/414, 424, 425, 430-432

(56) **References Cited**

**U.S. PATENT DOCUMENTS**

D186,914 S \* 12/1959 Teague, Jr. et al. .... D7/603  
D294,992 S \* 3/1988 Bouge ..... D34/1  
4,848,580 A \* 7/1989 Wise ..... 220/675

D397,585 S \* 9/1998 Rausch et al. .... D7/605  
D413,231 S \* 8/1999 Loew et al. .... D7/612

\* cited by examiner

*Primary Examiner*—Terry A. Wallace

(74) *Attorney, Agent, or Firm*—Bacon & Thomas, PLLC

(57) **CLAIM**

The ornamental design for “lining for ice pail”, as shown and described.

**DESCRIPTION**

FIG. 1 is a perspective view of “lining for ice pail” showing our new design thereof;

FIG. 2 is a front side elevational view;

FIG. 3 is a rear plan view thereof;

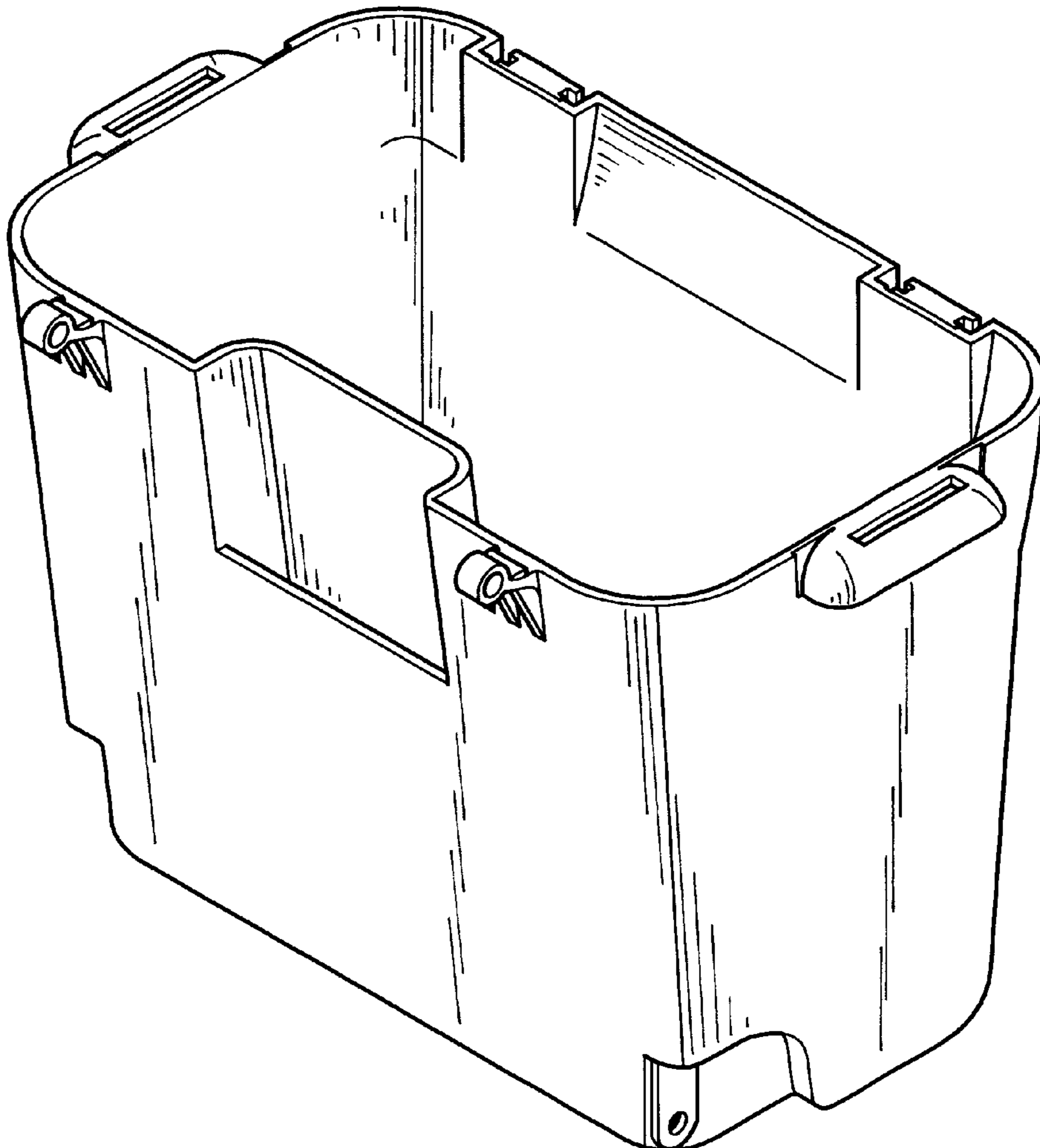
FIG. 4 is a left side elevational view;

FIG. 5 is a right plan view thereof.;

FIG. 6 is a top side elevational view; and,

FIG. 7 is a bottom side elevational view.

**1 Claim, 7 Drawing Sheets**



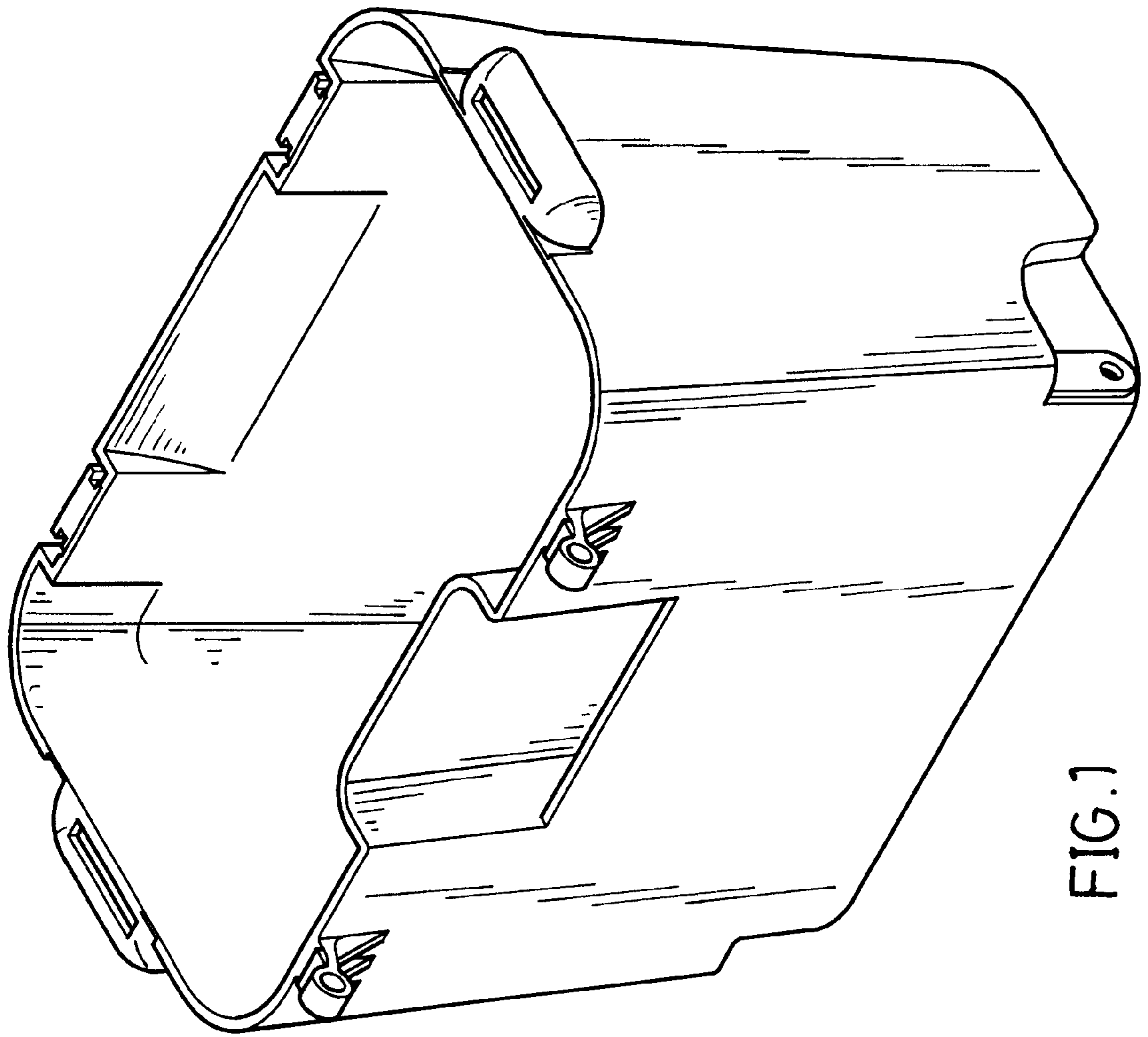


FIG. 1

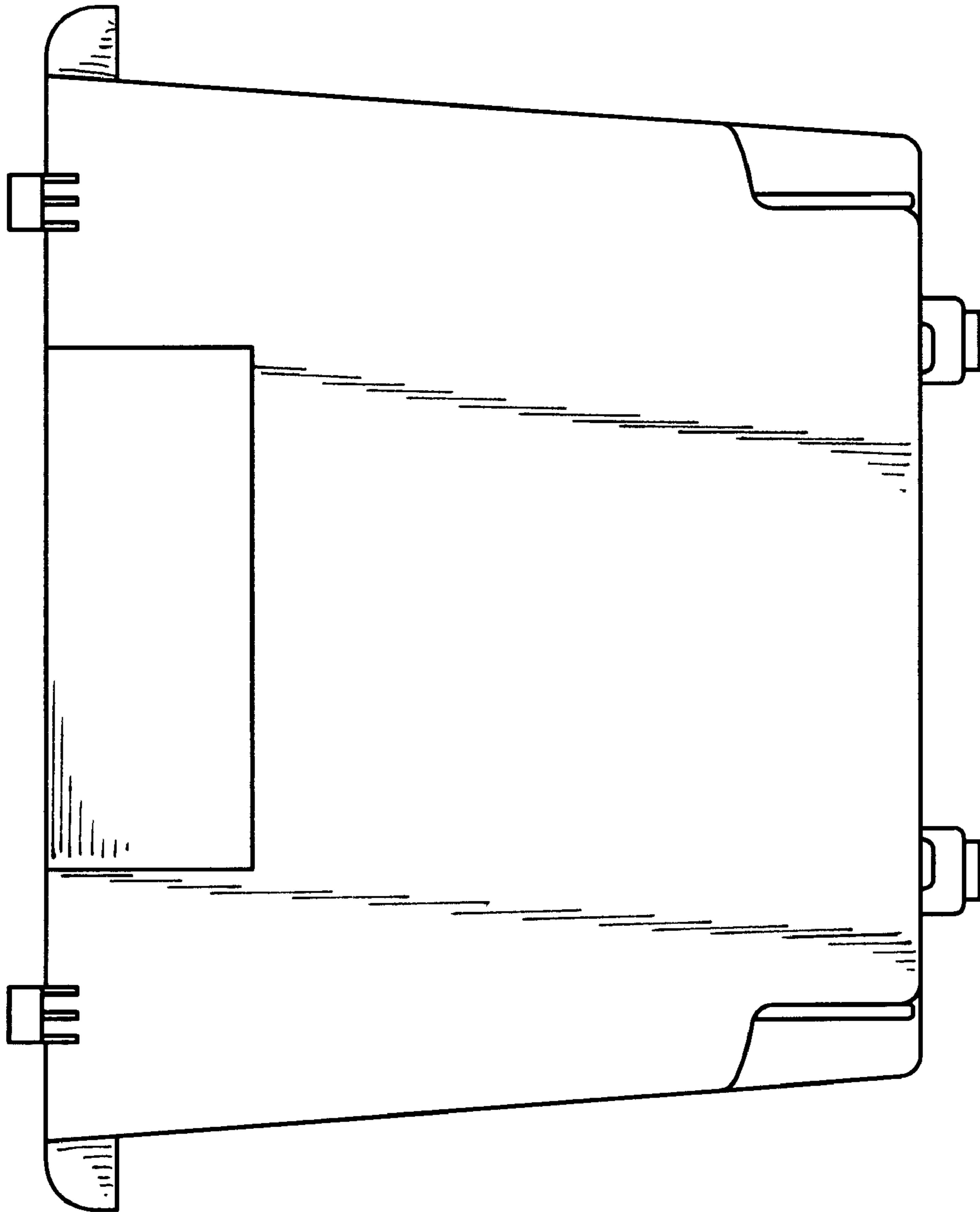


FIG. 2

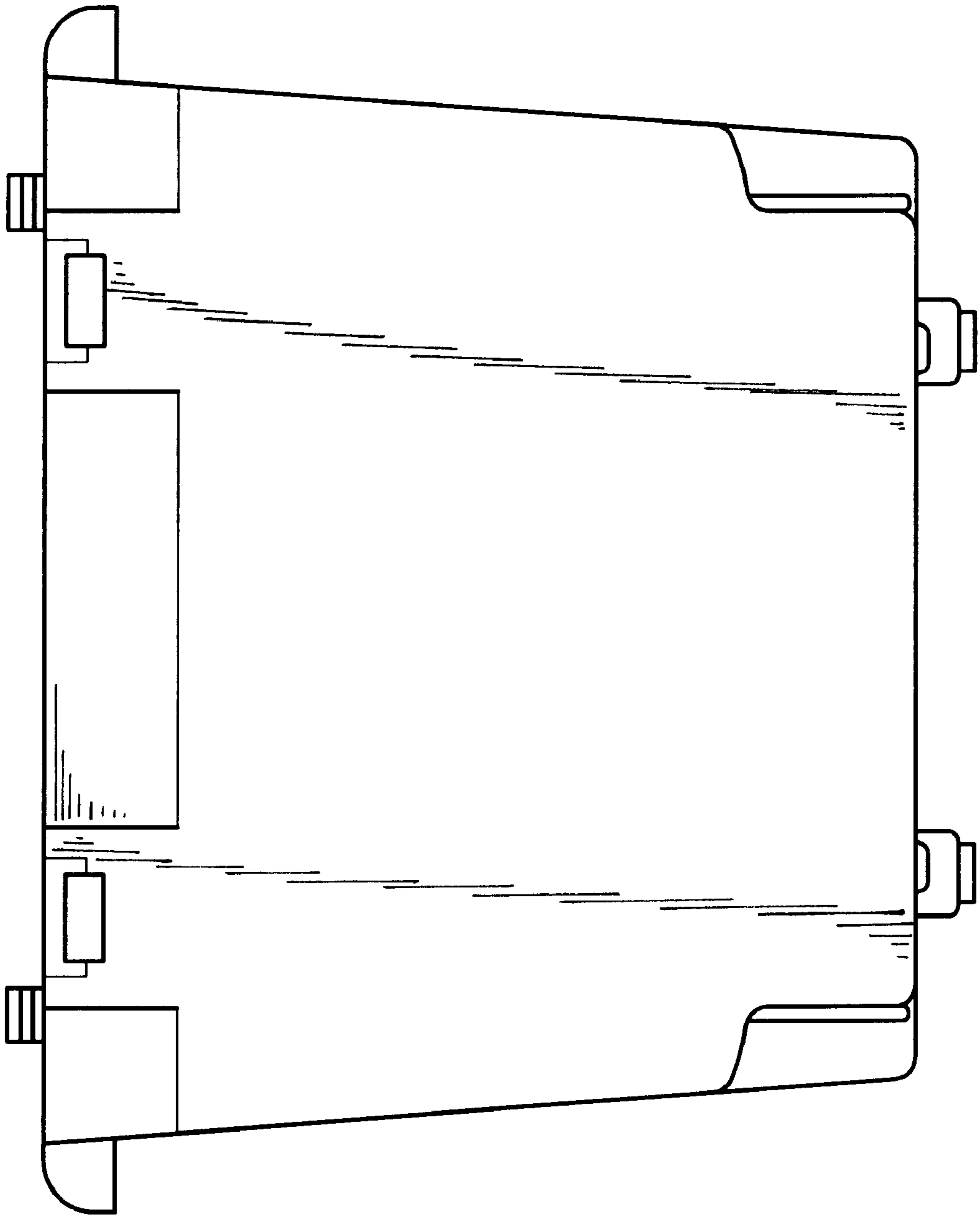


FIG. 3

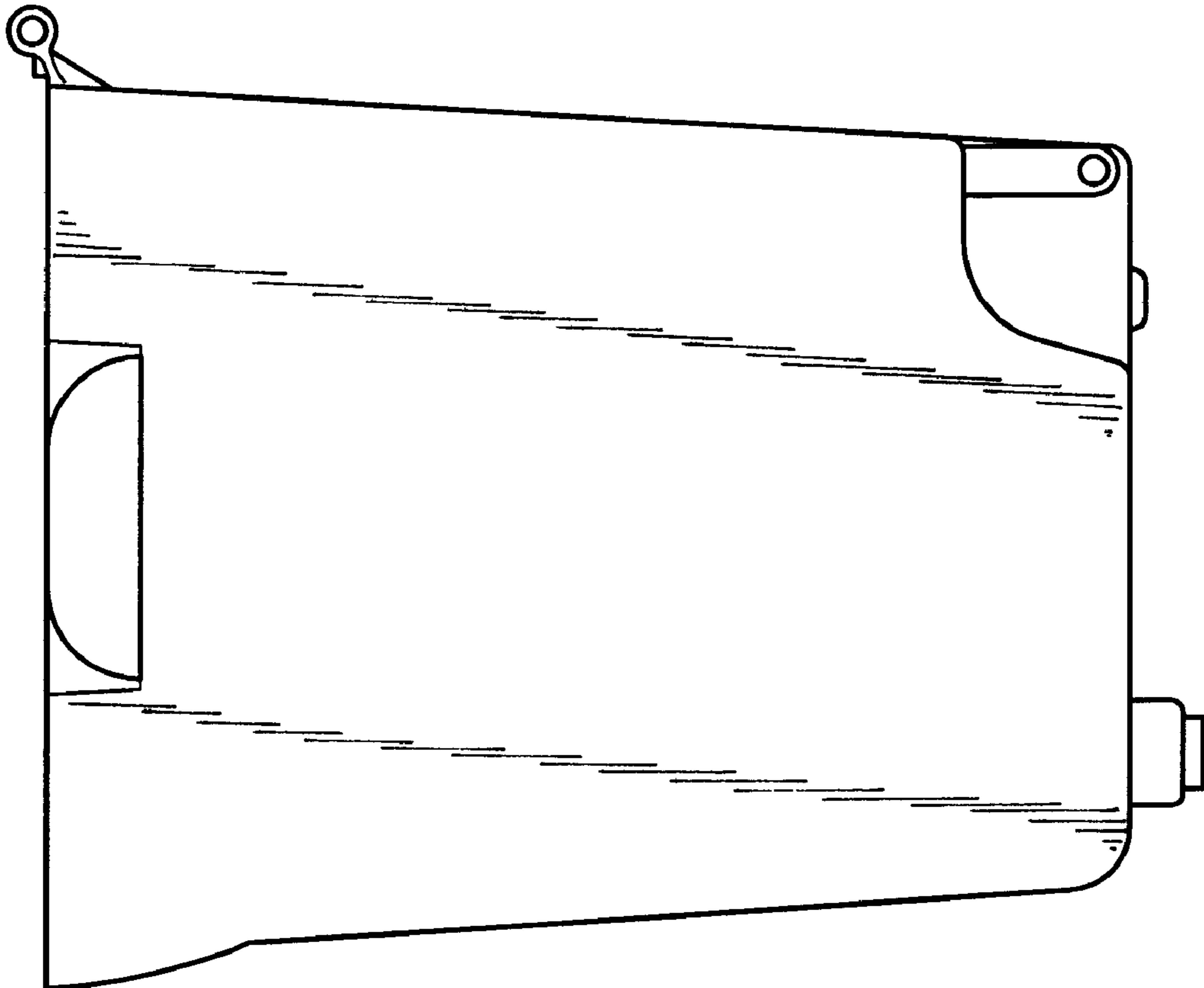


FIG. 4

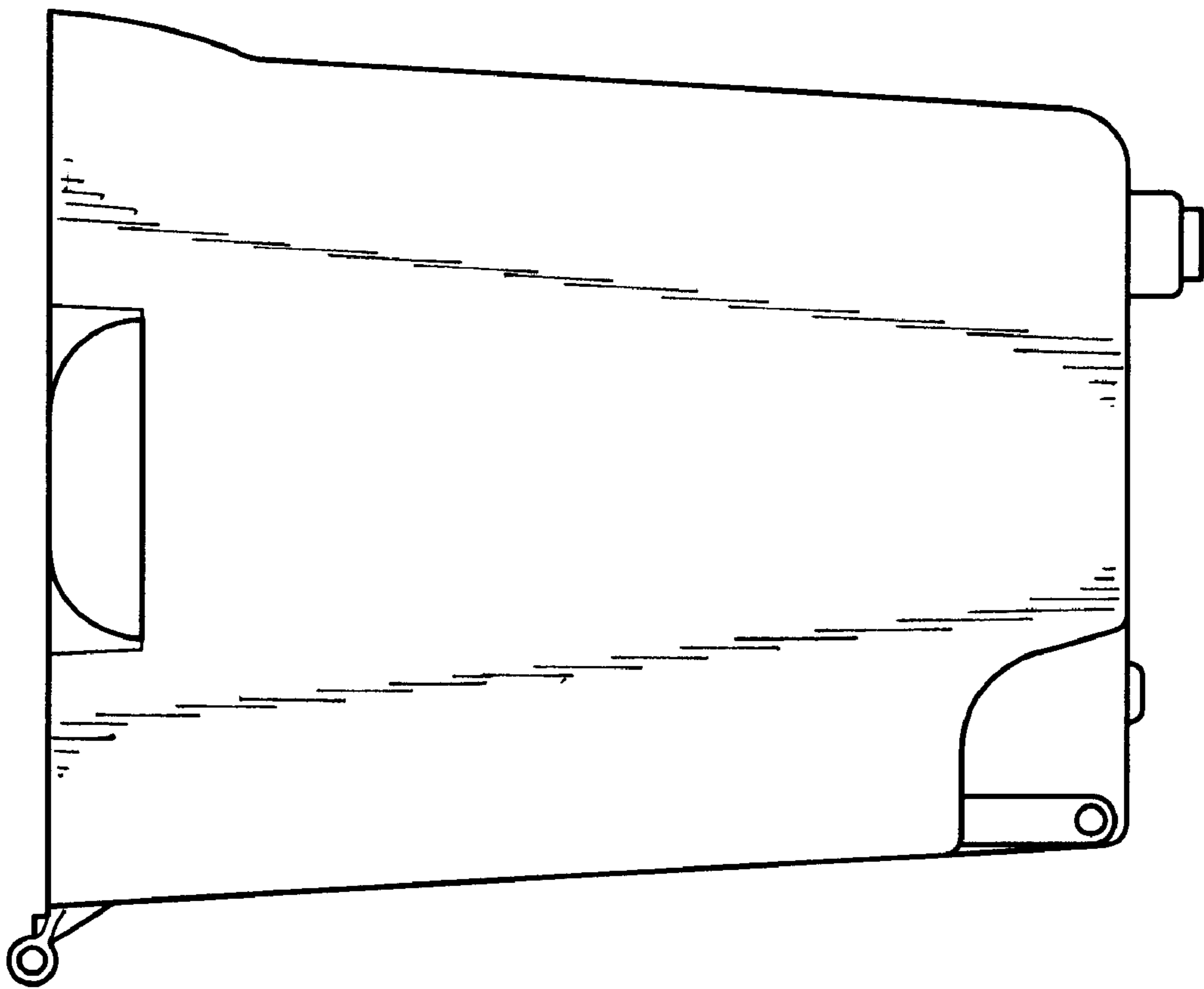


FIG. 5

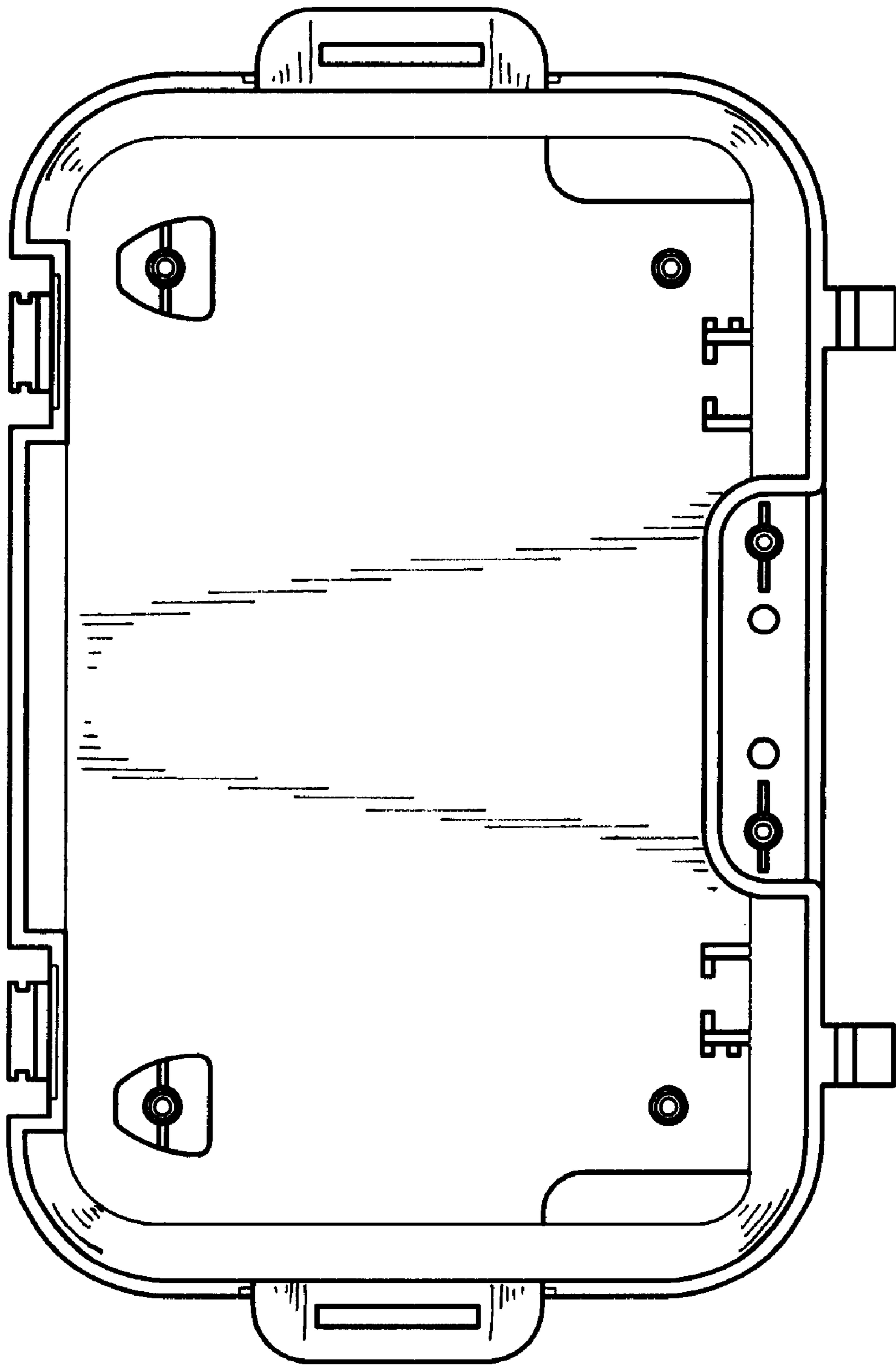


FIG. 6

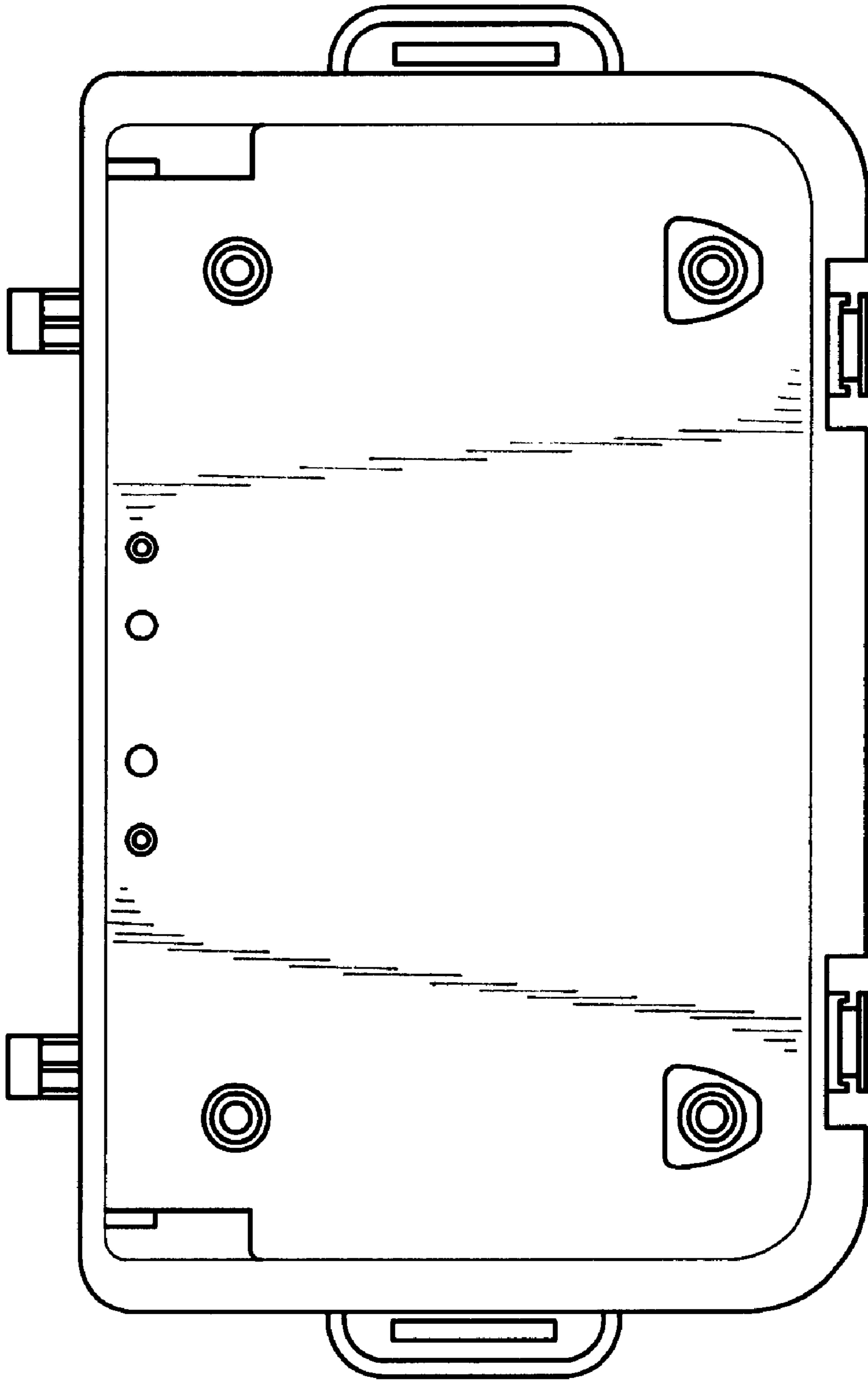


FIG. 7