



US00D460897S

(12) **United States Design Patent**
Leuenberger

(10) **Patent No.:** **US D460,897 S**

(45) **Date of Patent:** **** Jul. 30, 2002**

(54) **SHRIMP RING TRAY**

(75) Inventor: **Dirk Leuenberger**, Redmond, WA (US)

(73) Assignee: **Admiralty Island Fisheries, Inc.**,
Seattle, WA (US)

(**) Term: **14 Years**

(21) Appl. No.: **29/152,672**

(22) Filed: **Dec. 20, 2001**

(51) **LOC (7) Cl.** **07-01**

(52) **U.S. Cl.** **D7/553.8; D7/553.6; D7/553.7;**
D7/557; D7/546

(58) **Field of Search** **D7/551.1, 557,**
D7/549, 532, 552.2, 547, 546, 553.8, 553.1;
D9/425, 428, 337, 429; 206/588, 515, 557;
426/106, 112, 132; 220/23.8, 506, 23.83;
211/74

(56) **References Cited**

U.S. PATENT DOCUMENTS

- 1,949,285 A * 2/1934 Porter 108/27
- D198,096 S * 4/1964 Rosenthal et al. D7/552.2
- D221,883 S * 9/1971 Cash 220/23.8
- D237,344 S * 10/1975 Whitten D7/557
- 4,989,419 A * 2/1991 Brando et al. 62/457.2

- D326,743 S * 6/1992 Haynes D30/130
- D352,204 S * 11/1994 Hayes et al. D7/553.6
- D396,606 S * 8/1998 Blazeovich D7/553.6
- D404,612 S * 1/1999 Blazeovich D7/505
- 5,869,120 A * 2/1999 Blazeovich 426/132
- 6,022,571 A * 2/2000 Blazeovich 426/132
- 6,168,813 B1 * 1/2001 Blazeovich 426/132
- D452,146 S * 12/2001 Lin D9/337

* cited by examiner

Primary Examiner—M. N. Pandozzi

(74) *Attorney, Agent, or Firm*—Christensen O'Connor
Johnson Kindness PLLC

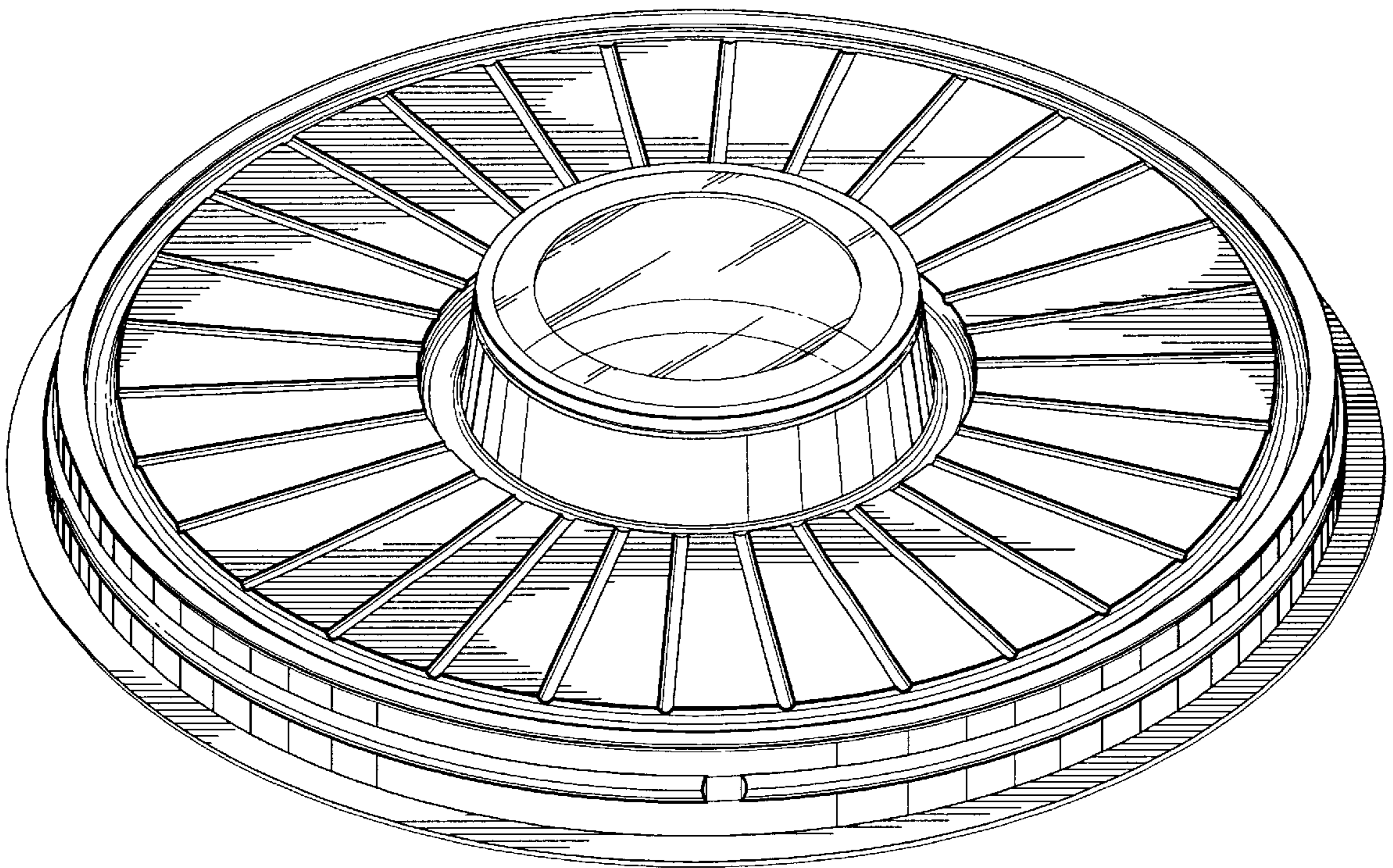
(57) **CLAIM**

The ornamental design for a shrimp ring tray, as shown and described.

DESCRIPTION

FIG. 1 provides a perspective view of a shrimp ring tray showing my new design;
 FIG. 2 is a top plan view of the shrimp ring tray of FIG. 1;
 FIG. 3 is a side elevation view of the shrimp ring tray of FIG. 1, that, due to symmetry of the shrimp ring tray is the same from any side; and,
 FIG. 4 is a bottom plan view of the shrimp ring tray of FIG. 1.

1 Claim, 3 Drawing Sheets



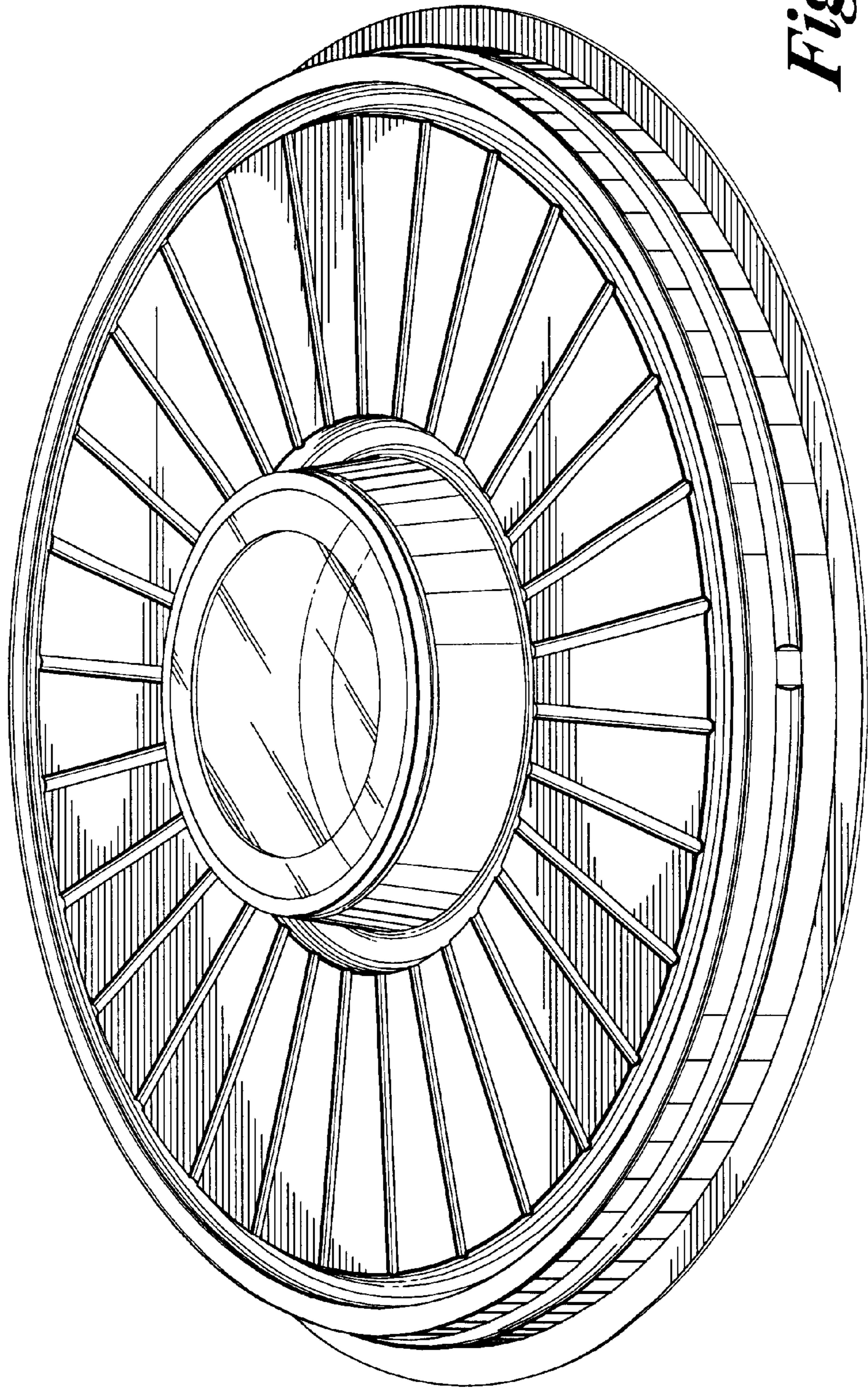


Fig. 1.

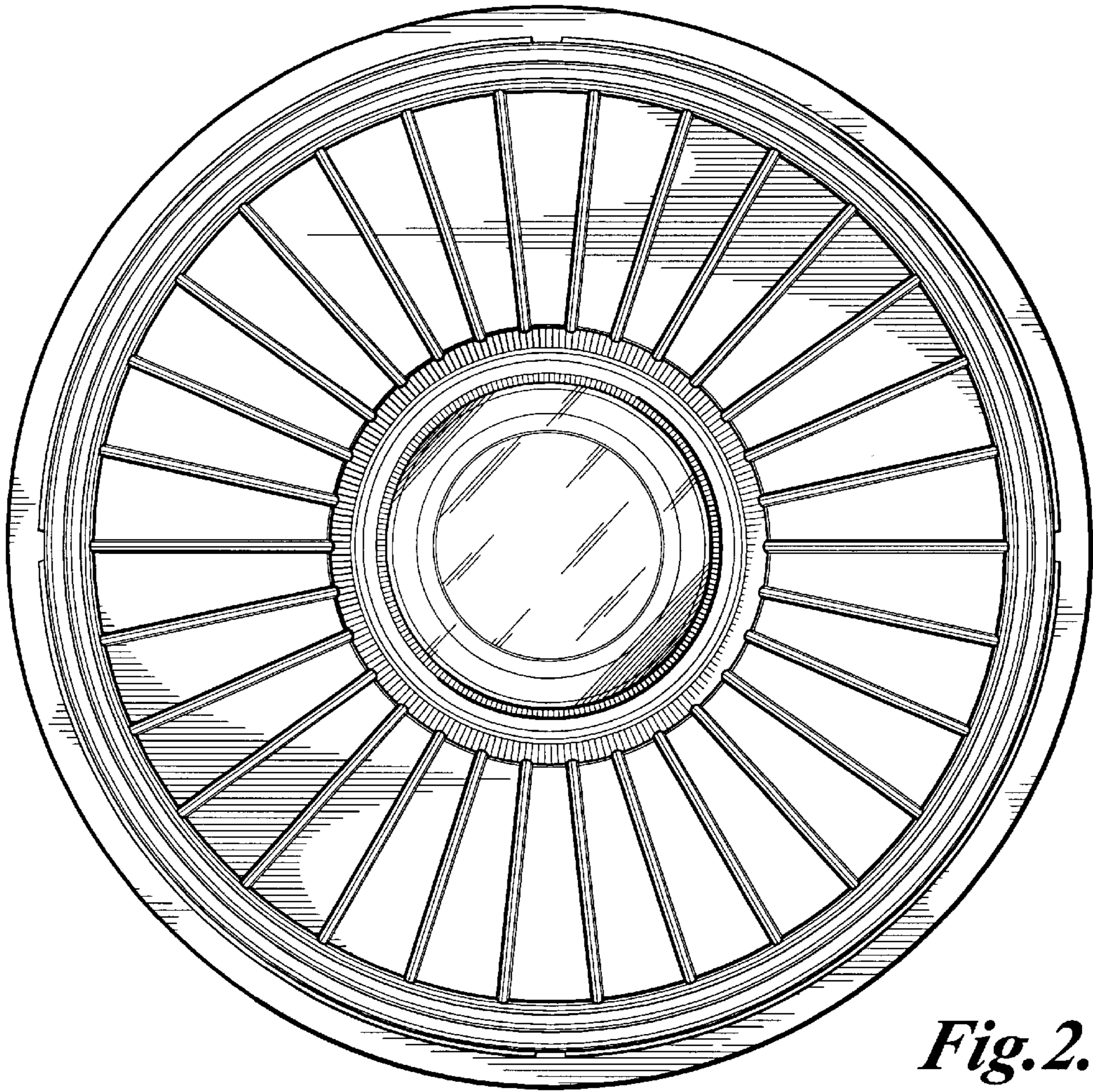


Fig. 2.

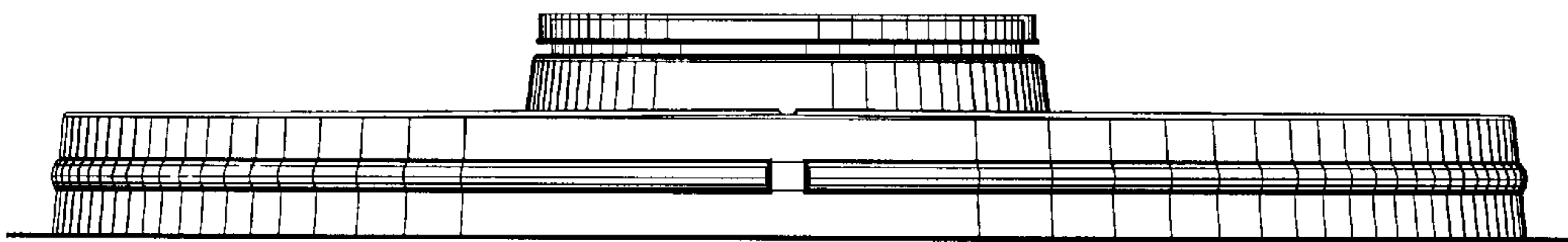


Fig. 3.

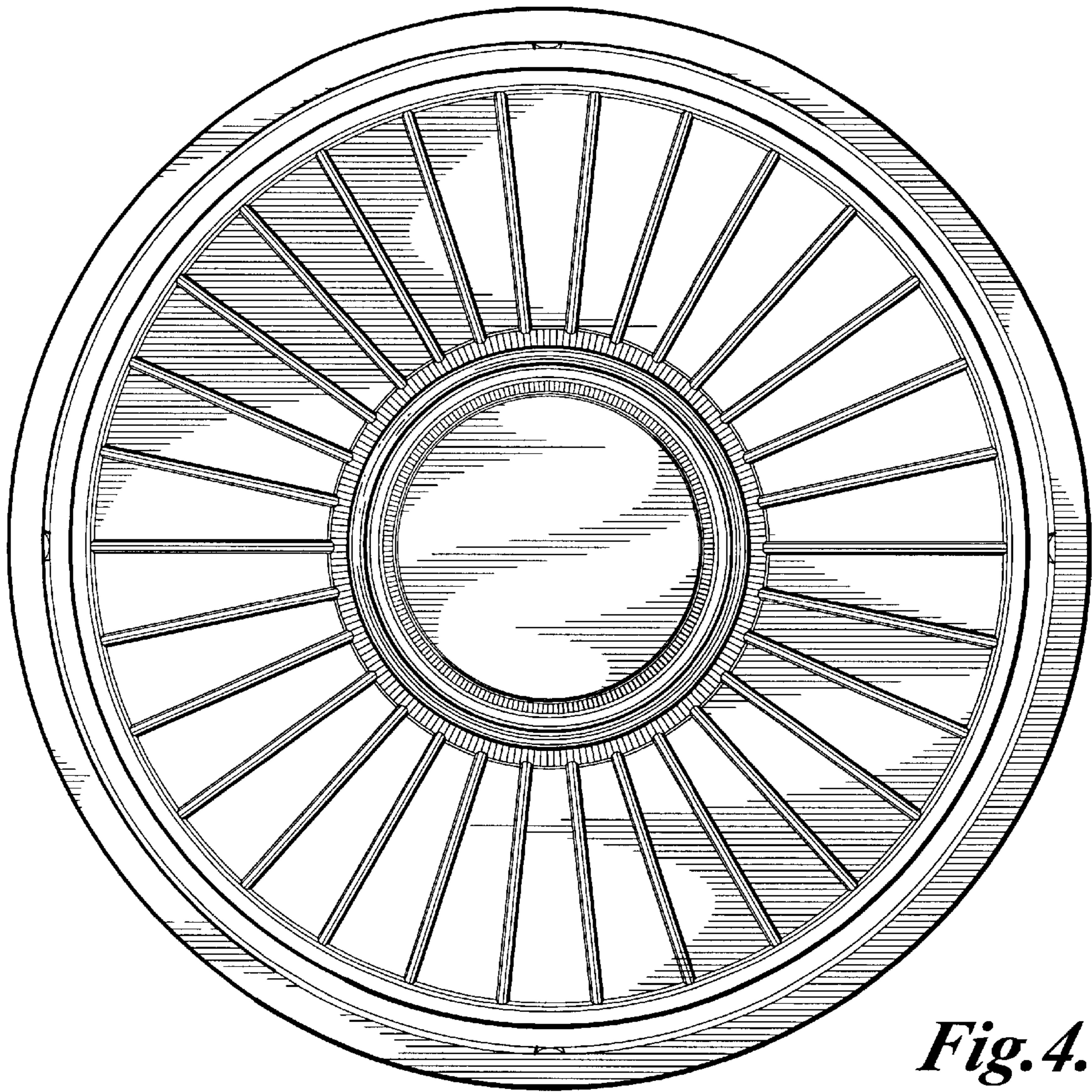


Fig. 4.