



US00D460893S

(12) **United States Design Patent**  
**Rowe**

(10) **Patent No.:** **US D460,893 S**

(45) **Date of Patent:** **\*\* Jul. 30, 2002**

(54) **COMBINATION FIREPLACE, GRILL,  
SMOKER, BROILER, OUTDOOR OVEN**

(76) **Inventor:** **Brian Lee Rowe**, 1432 E. Perkins,  
Sapulpa, OK (US) 74066

(\*\*) **Term:** **14 Years**

(21) **Appl. No.:** **29/132,635**

(22) **Filed:** **Nov. 13, 2000**

(51) **LOC (7) Cl.** ..... **07-02**

(52) **U.S. Cl.** ..... **D7/334**

(58) **Field of Search** ..... D7/332, 333-334,  
D7/335, 336, 337, 402, 409; 126/25 R,  
25 A, 25 AA, 25 B, 41 R, 29-30, 9 R,  
9 B, 4, 6, 7, 506, 501, 505, 519; D23/343,  
348, 350, 317, 332, 334-336, 338-339;  
99/443, 450, 421 R; 248/156

(56) **References Cited**

**U.S. PATENT DOCUMENTS**

3,455,291 A	7/1969	Glass	126/137
4,136,663 A	1/1979	Gneiting et al.	126/63
4,182,302 A *	1/1980	Bruce et al.	126/4
4,207,862 A *	6/1980	Meyer	126/506
D272,885 S *	3/1984	Famiglietti	D7/333
4,630,592 A	12/1986	Larabie	126/4
4,643,162 A *	2/1987	Collins	126/41 R

4,664,026 A	5/1987	Milloy	99/352
4,825,845 A *	5/1989	Olivotti	126/15 R
D303,061 S	8/1989	Fountain, Sr.	D7/332
5,094,223 A	3/1992	Gonzalez	126/25 R
5,347,977 A *	9/1994	Lehikoinen et al.	126/19 R
D366,590 S	1/1996	Reddick	D7/348
D396,166 S	7/1998	Pavlich	D7/333
6,058,832 A	5/2000	Fountain	99/446
6,070,572 A	5/2000	Casagrande	126/506

\* cited by examiner

*Primary Examiner*—Ruth McInroy

(74) *Attorney, Agent, or Firm*—Head, Johnson & Kachigian

(57) **CLAIM**

The design for an combination fireplace, grill, smoker, broiler, outdoor oven, as shown and described.

**DESCRIPTION**

FIG. 1 is a front and left perspective view of a combination fireplace, grill, smoker, broiler, outdoor oven showing my new design;

FIG. 2 is a left elevational view thereof;

FIG. 3 is a right elevational view thereof;

FIG. 4 is a back elevational view thereof;

FIG. 5 is a front elevational view thereof;

FIG. 6 is a top elevational view thereof; and,

FIG. 7 is a bottom elevational view thereof.

**1 Claim, 6 Drawing Sheets**

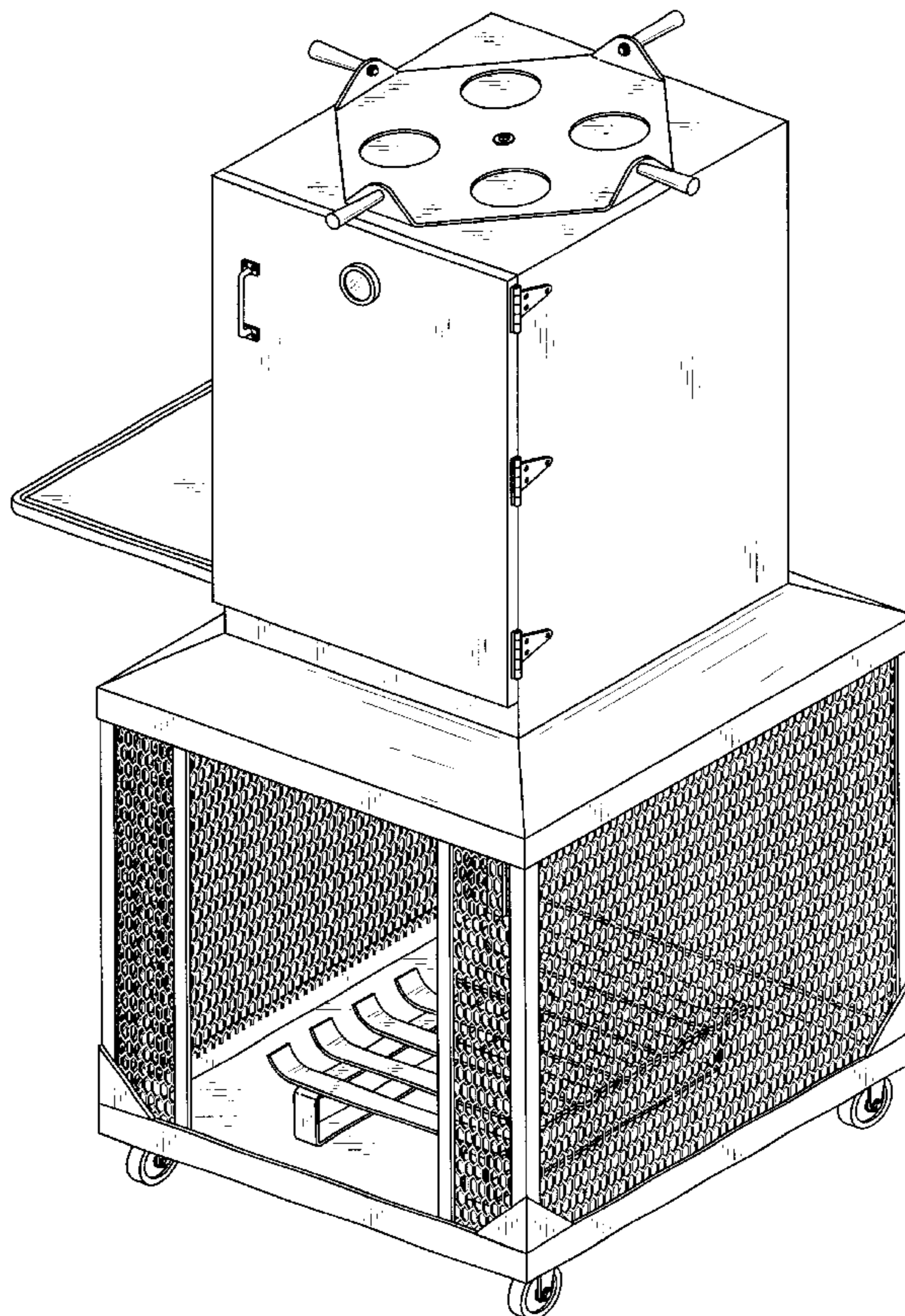


FIG. 1

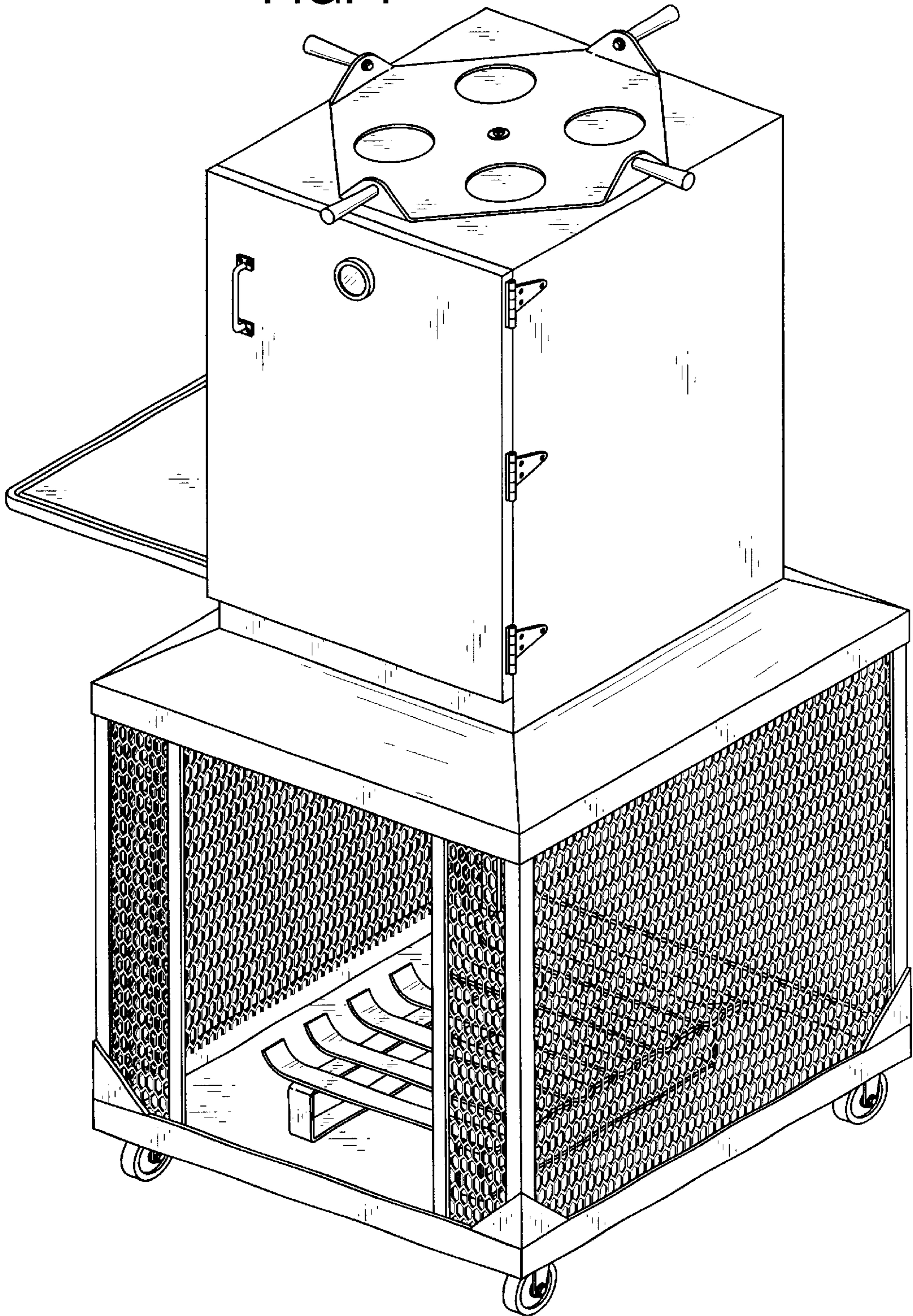


FIG. 2

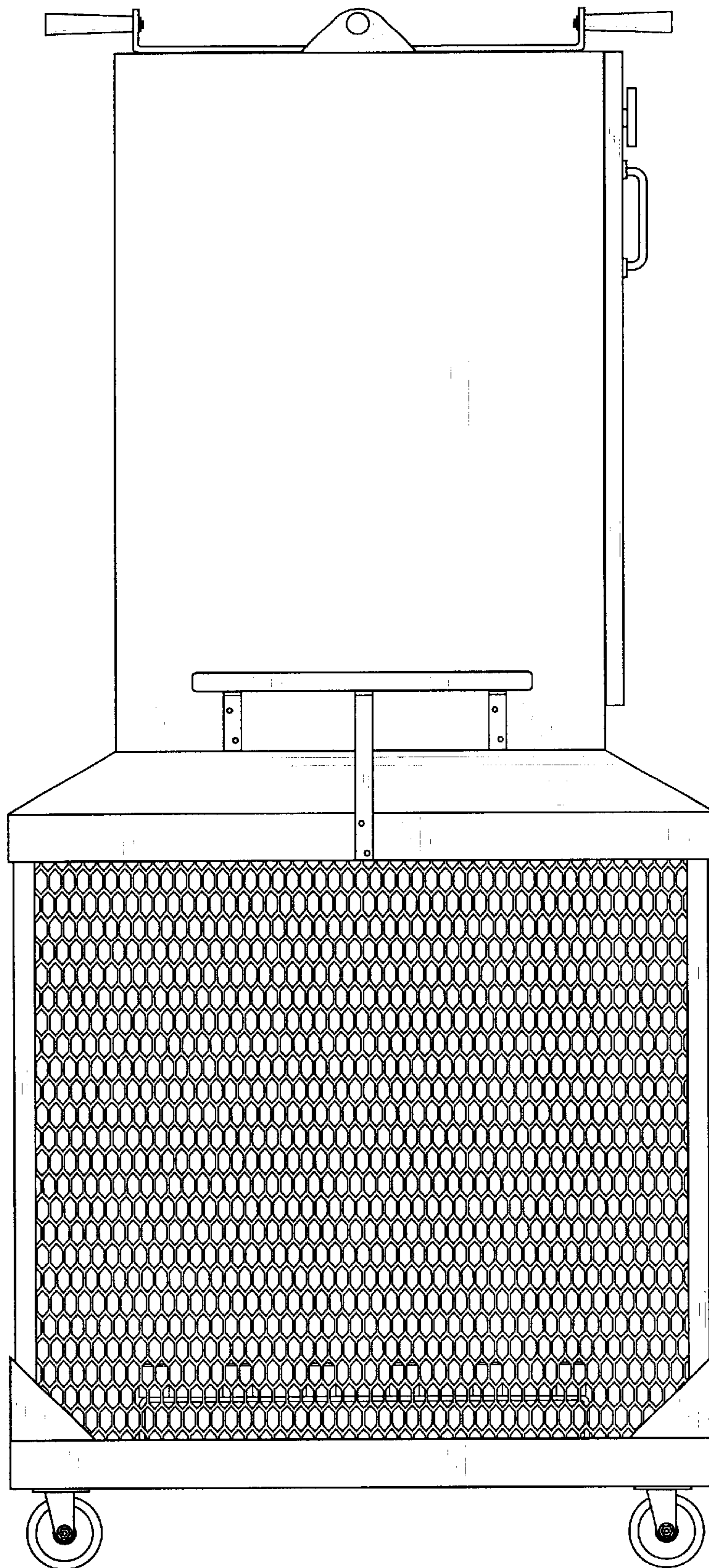


FIG. 3

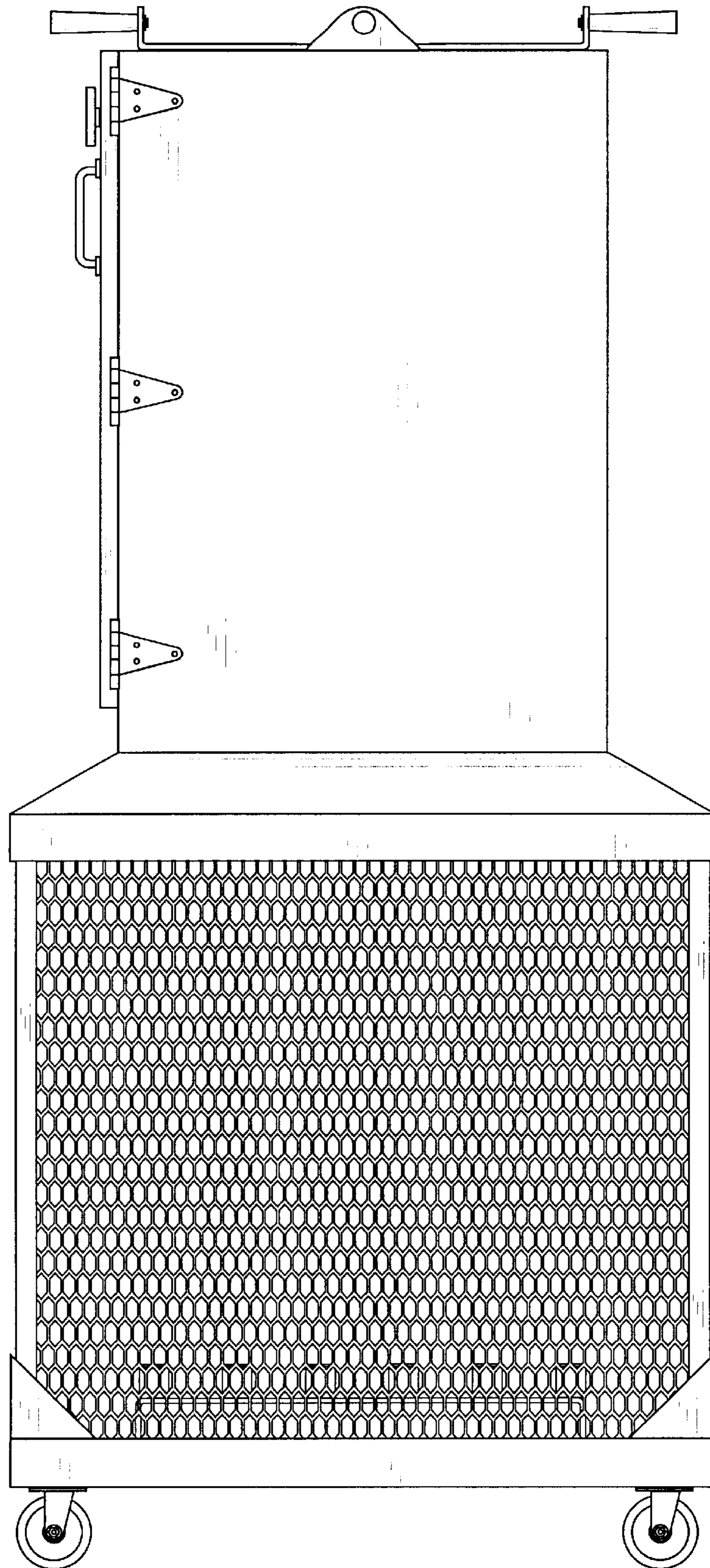


FIG. 4

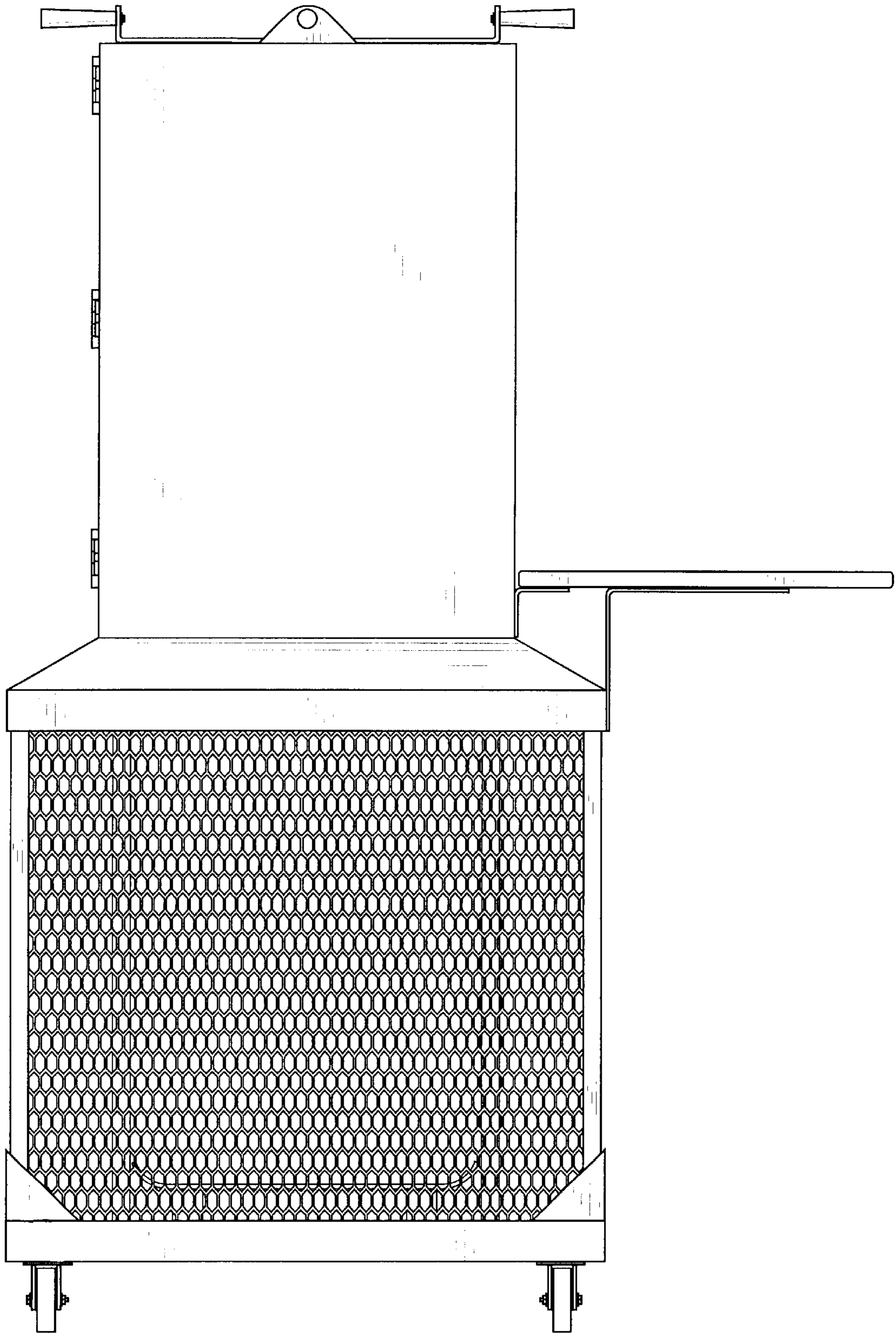


FIG. 5

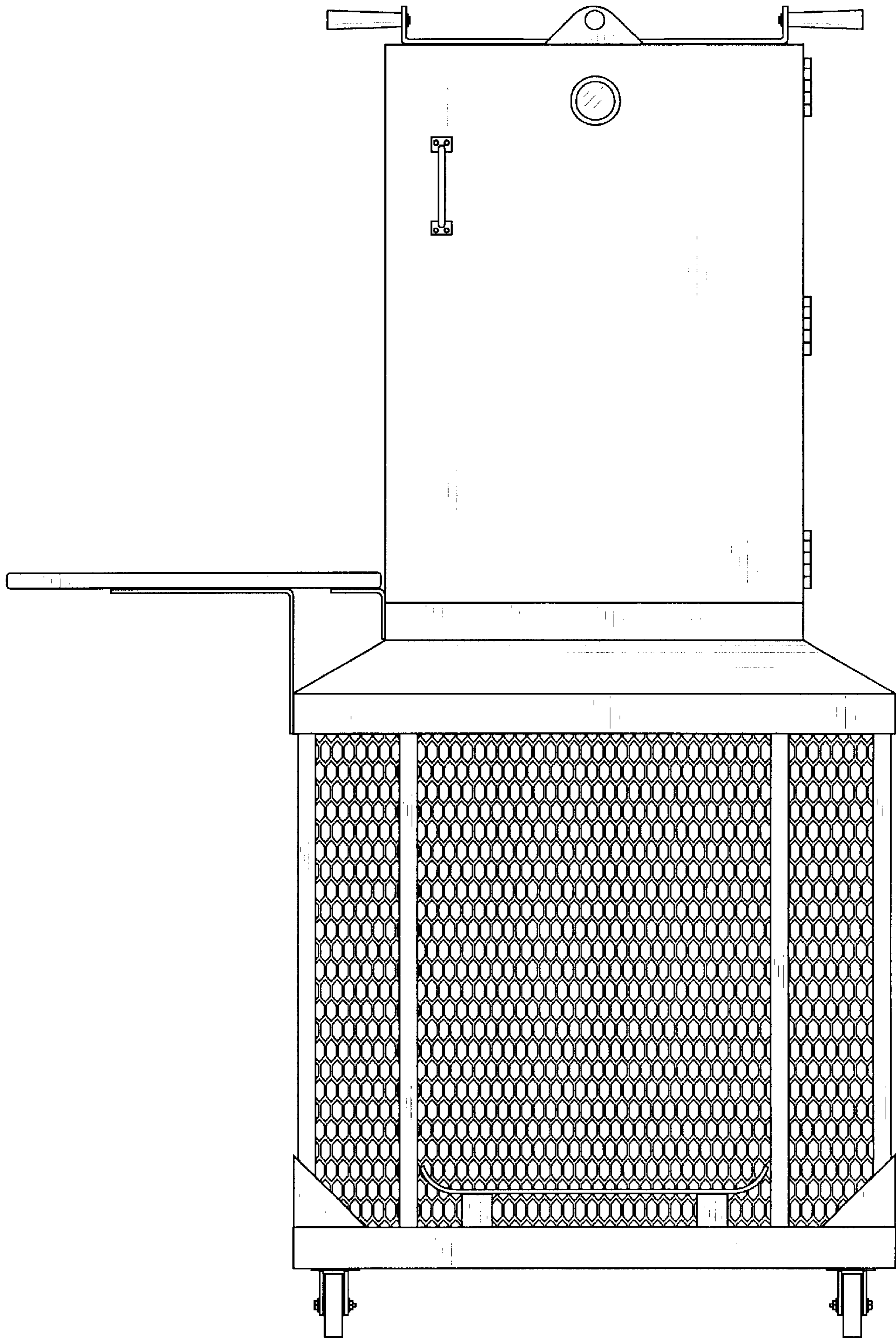


FIG. 6

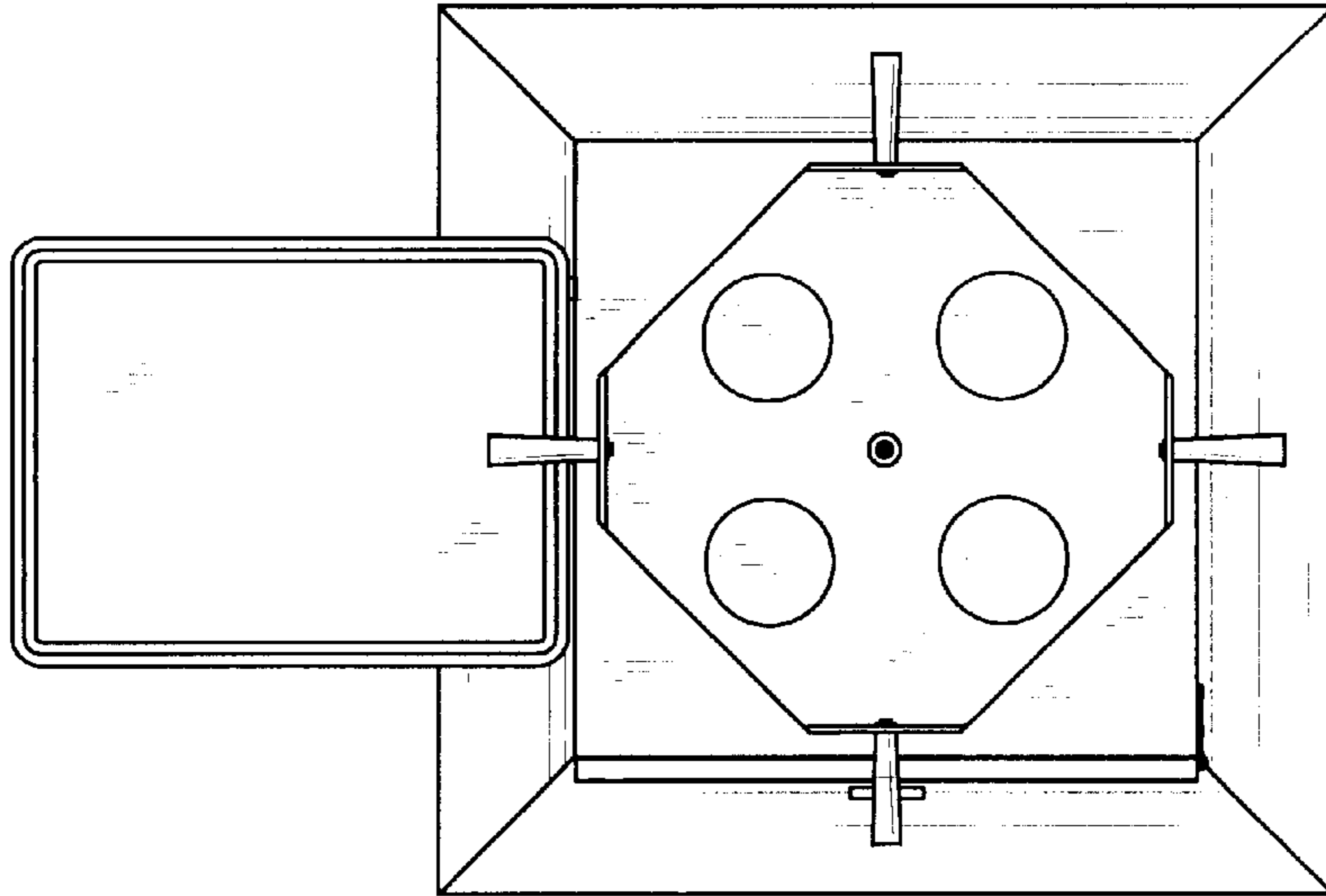


FIG. 7

