



US00D460892S

(12) **United States Design Patent**  
**Hoernig**

(10) **Patent No.:** **US D460,892 S**

(45) **Date of Patent:** **\*\* Jul. 30, 2002**

(54) **TOWEL RING**

(75) **Inventor:** **Victor Hoernig**, Lowell, IN (US)

(73) **Assignee:** **Melard Manufacturing Corp.**, Passaic, NJ (US)

(\*\*) **Term:** **14 Years**

(21) **Appl. No.:** **29/142,639**

(22) **Filed:** **May 30, 2001**

(51) **LOC (7) Cl.** ..... **06-04**

(52) **U.S. Cl.** ..... **D6/546**

(58) **Field of Search** ..... D6/546-50, 518,  
D6/522-24; D8/300, 315-21, 354, 363,  
373, 380; 108/28-29; 211/13.1, 16, 60.1,  
86.01, 87.01, 88.04, 100, 105.1-105.2,  
123, 181.1, 182; 248/175, 176.1, 251, 302;  
16/110.1, 412, 415; 242/570, 590, 595-598;  
206/389

(56) **References Cited**

**U.S. PATENT DOCUMENTS**

D382,752 S \* 8/1997 Goodman et al. .... D6/546

D434,934 S \* 12/2000 Solowiej ..... D6/546

D437,162 S \* 2/2001 Fiegl et al. .... D6/546

D442,000 S \* 5/2001 Milrud et al. .... D6/546

\* cited by examiner

*Primary Examiner*—Brian N. Vinson

(74) *Attorney, Agent, or Firm*—Edgar A. Zarins; Lloyd D. Doigan

(57) **CLAIM**

The ornamental design for a towel ring, as shown and described.

**DESCRIPTION**

FIG. 1 is a perspective view of a towel ring showing my new design;

FIG. 2 is a front elevational view thereof;

FIG. 3 is a right side view thereof;

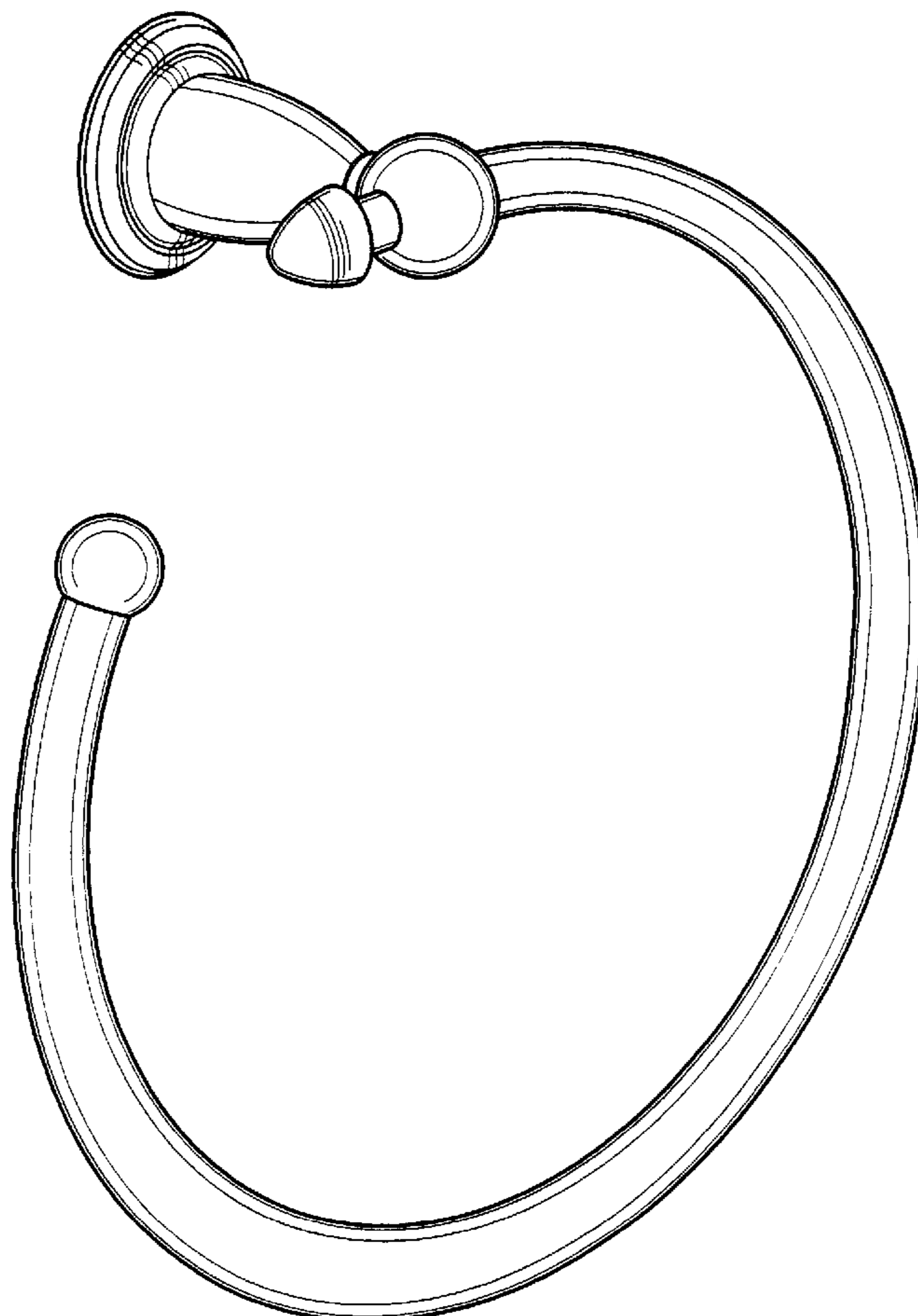
FIG. 4 is a rear side view thereof;

FIG. 5 is a left side view thereof;

FIG. 6 is a top plan view thereof; and,

FIG. 7 is a bottom plan view thereof.

**1 Claim, 3 Drawing Sheets**



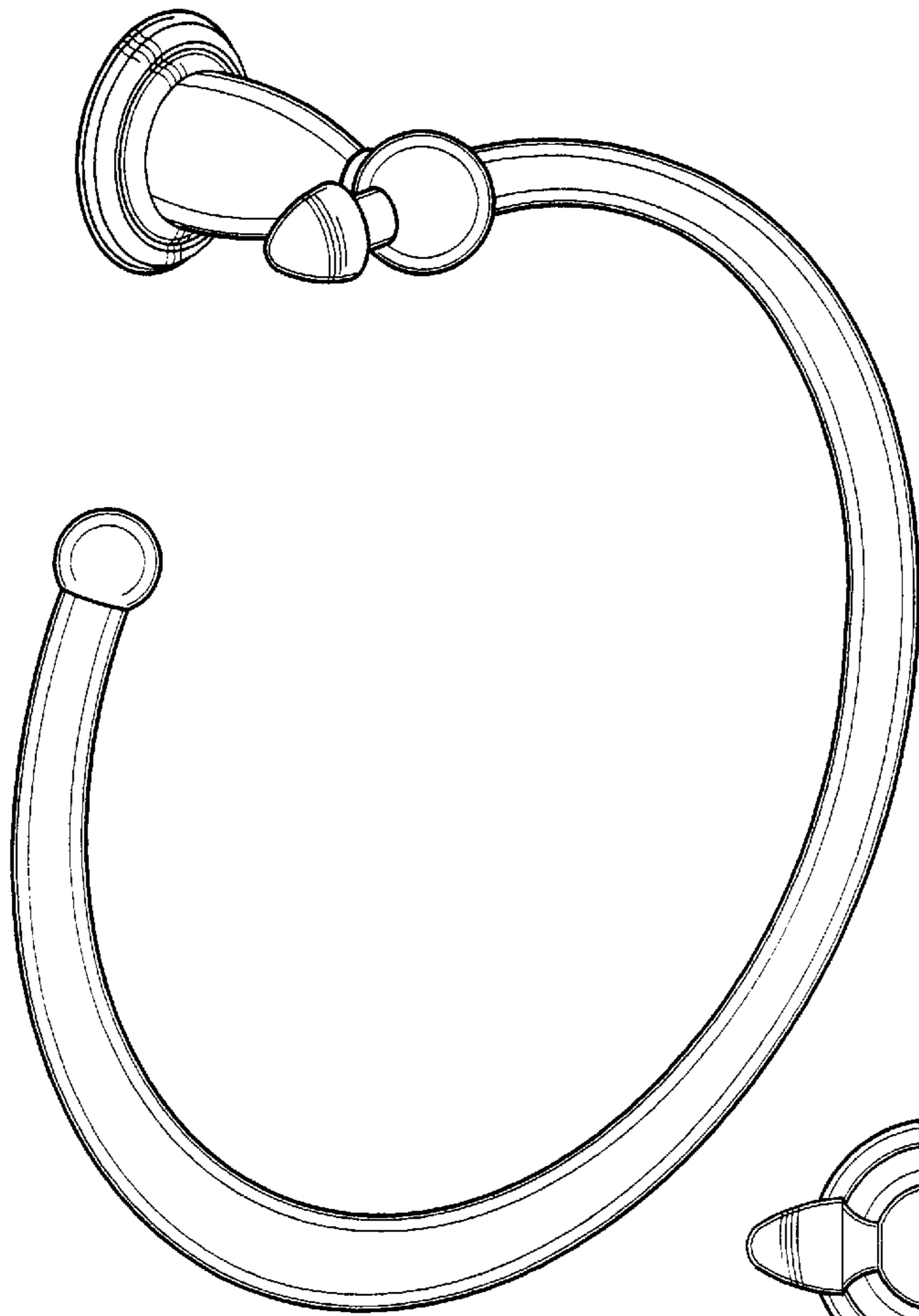


Fig-1

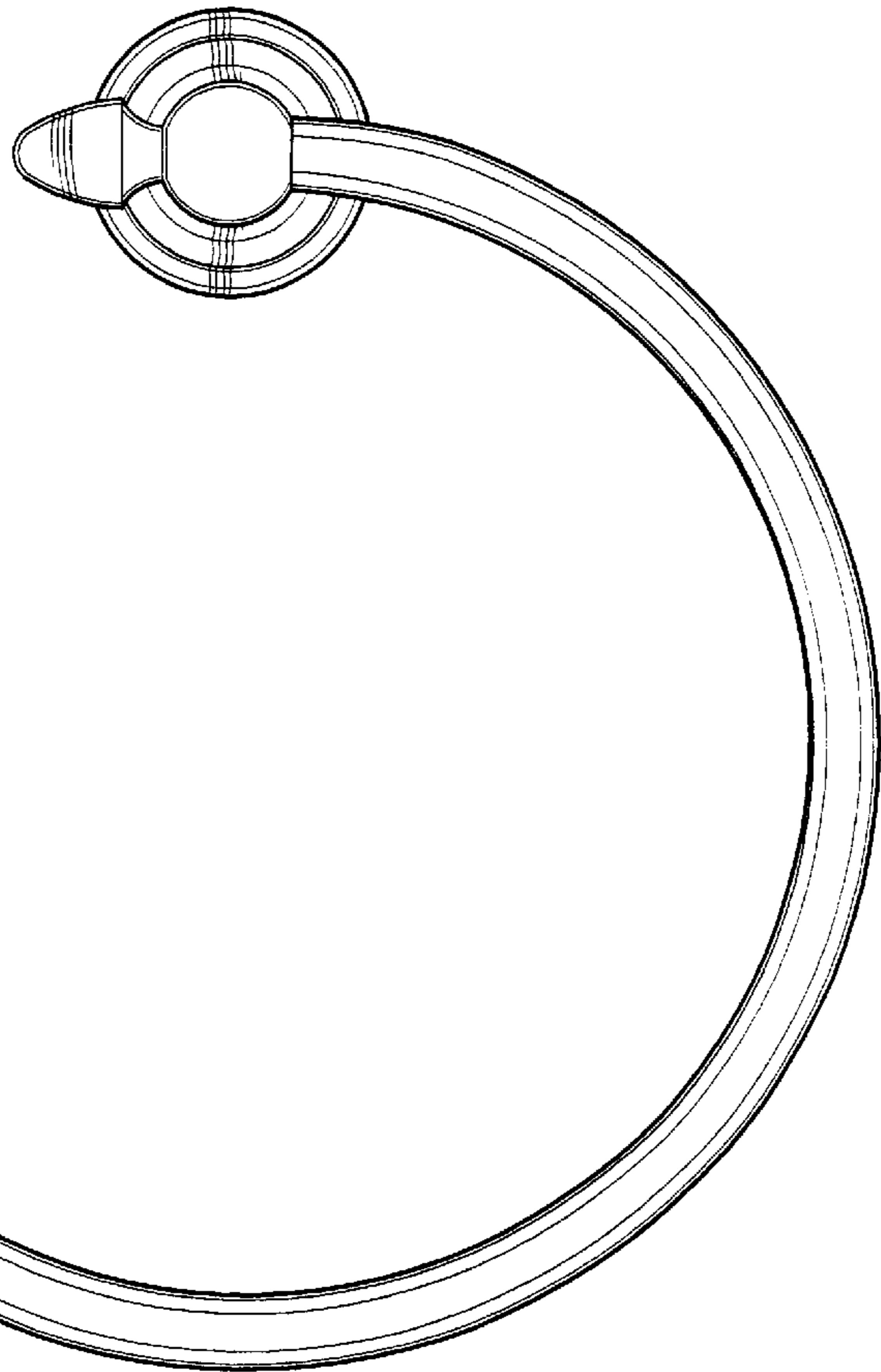


Fig-2

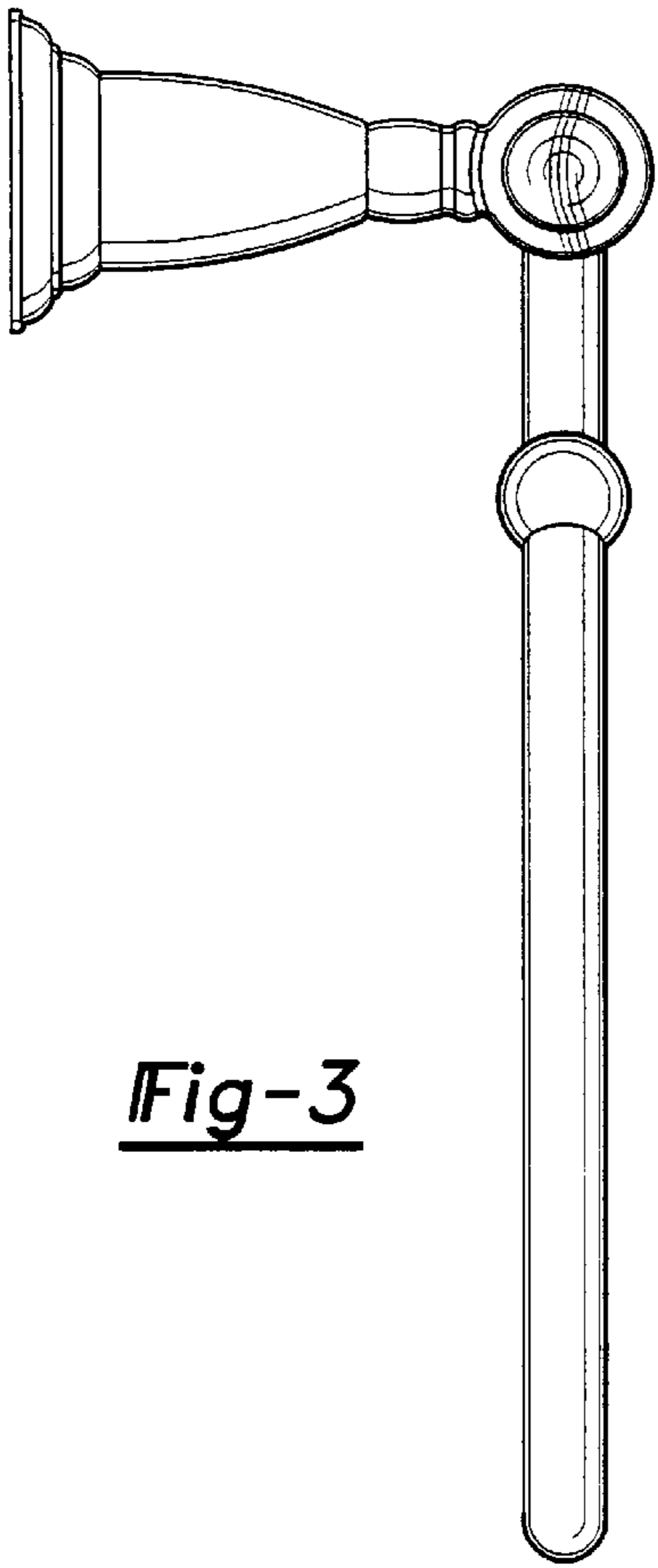


Fig-3

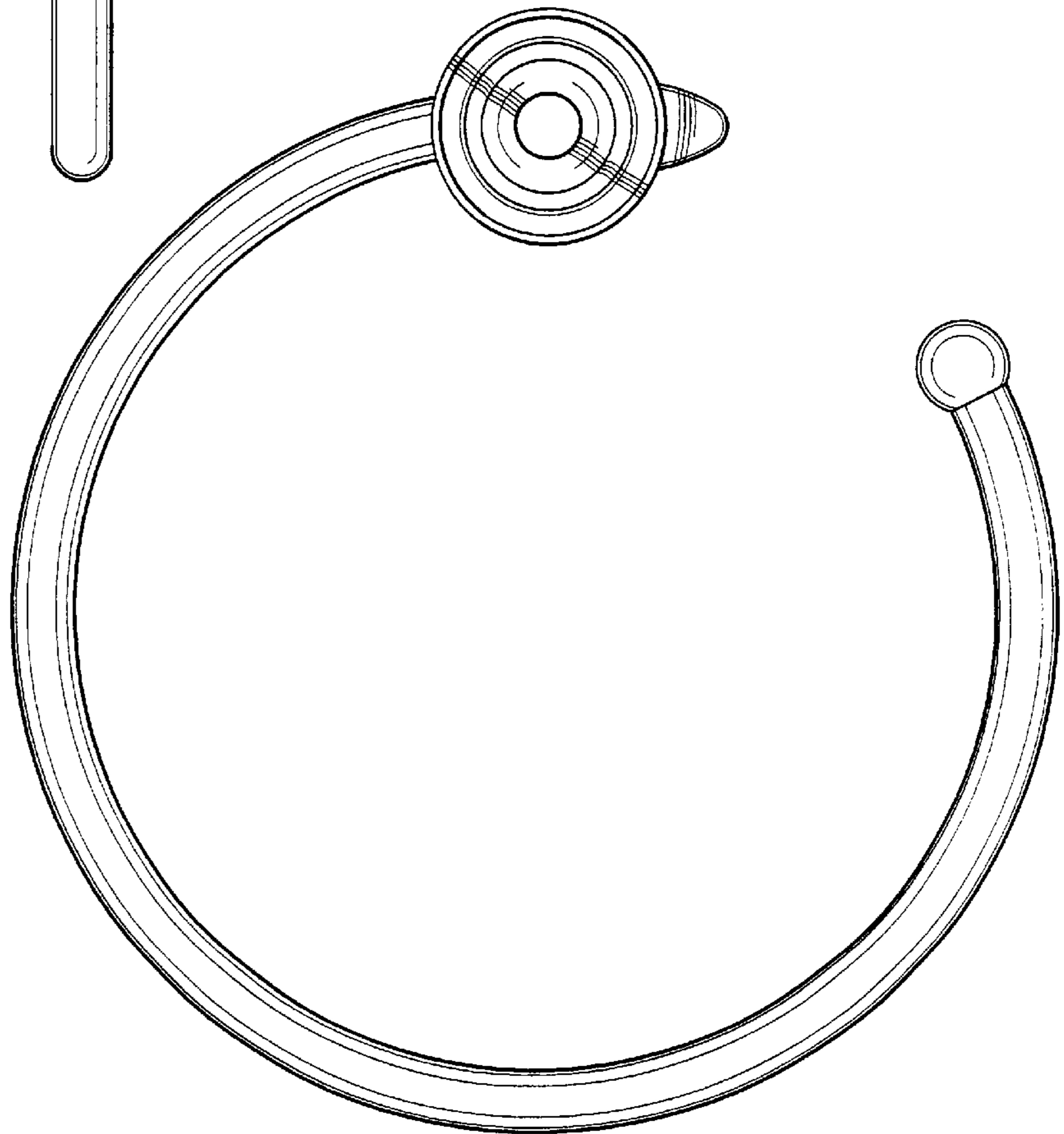


Fig-4

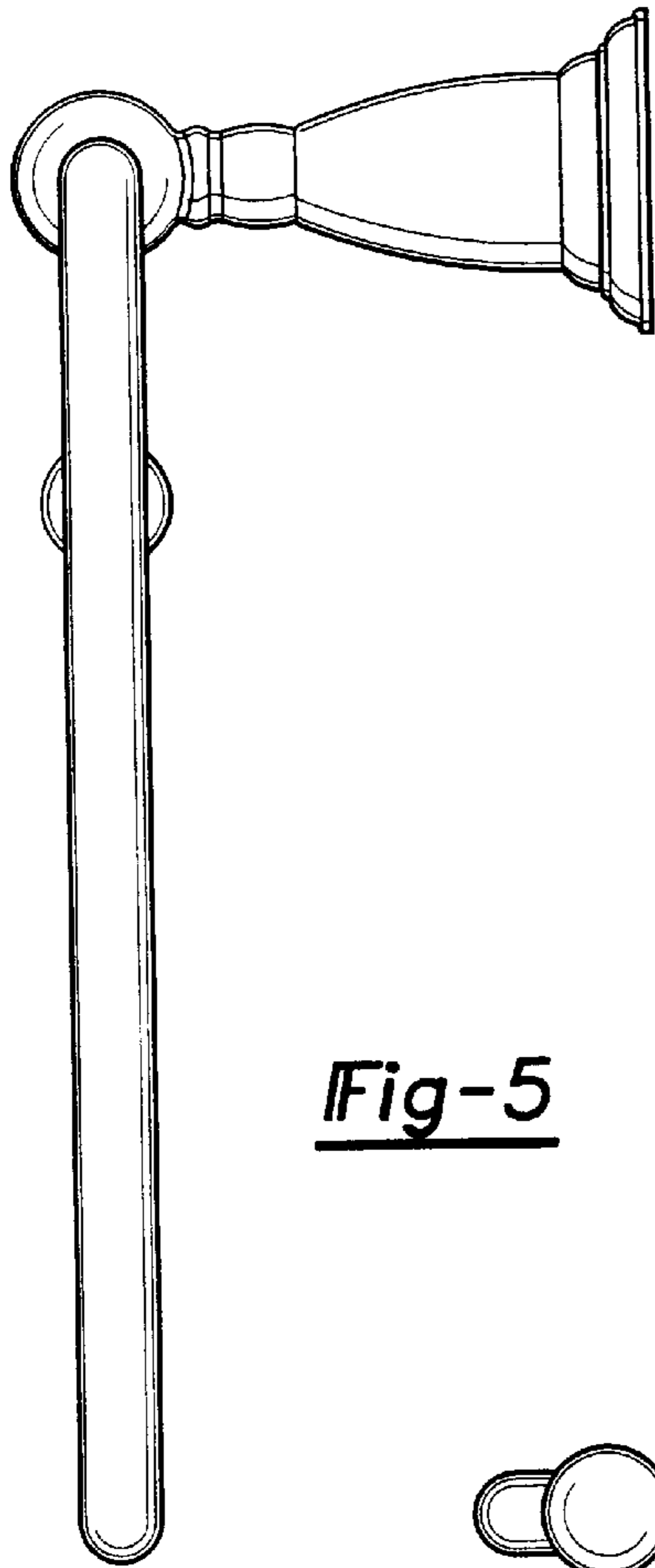


Fig-5

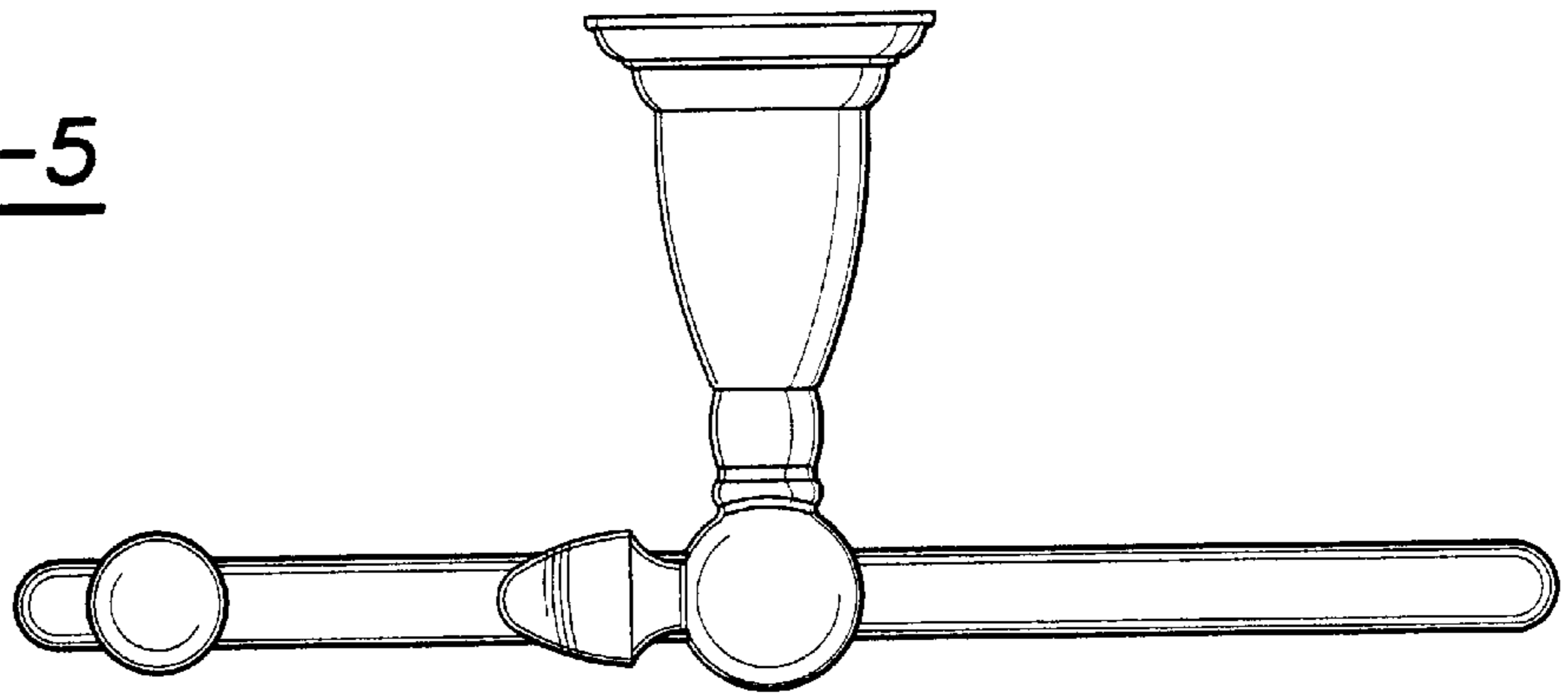


Fig-6

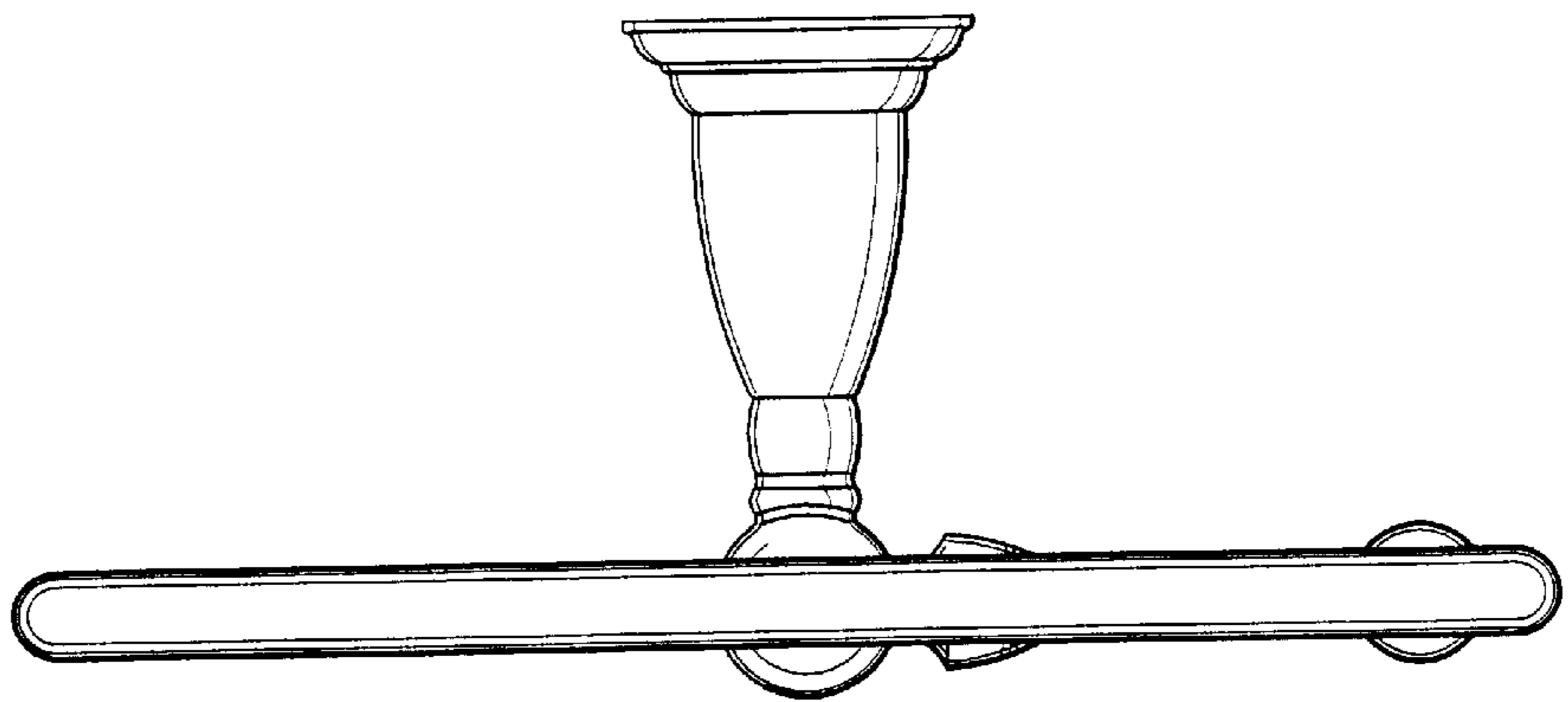


Fig-7