



US00D460889S

(12) **United States Design Patent**
Ong

(10) **Patent No.: US D460,889 S**

(45) **Date of Patent: ** Jul. 30, 2002**

(54) **TISSUE BOX COVER WITH CURVED CORNER EDGES**

DESCRIPTION

(76) Inventor: **Bon S. Ong**, Box 4247, Torrance, CA (US) 90510

(**) Term: **14 Years**

(21) Appl. No.: **29/151,033**

(22) Filed: **Dec. 3, 2001**

(51) **LOC (7) Cl. 20-02**

(52) **U.S. Cl. D6/518**

(58) **Field of Search** D6/515-523; 312/34.1, 312/34.4; 206/812, 804; 221/22, 33, 45, 286; 211/13.1, 48, 49

(56) **References Cited**

U.S. PATENT DOCUMENTS

D208,206 S	*	8/1967	Helgeson	D6/522
D371,708 S	*	7/1996	Haley et al.	D6/518
D372,386 S	*	8/1996	Kuchenbecker	D6/518
D390,391 S	*	2/1998	Hsu	D6/518
D403,189 S	*	12/1998	Isaacson	D6/518
D436,273 S	*	1/2001	Lange	D6/519

OTHER PUBLICATIONS

Ma Leck Catalogue (1980) p. 31, Tissue Box Covers ML 1550.

* cited by examiner

Primary Examiner—Brian N. Vinson

(74) *Attorney, Agent, or Firm*—Charles H. Thomas

(57) **CLAIM**

I claim the ornamental design for the article tissue box cover with curved corner edges, as shown and described.

FIG. 1 is a perspective view of one embodiment of a tissue box cover with curved corner edges formed of materials having different surface appearances and illustrating my new design;

FIG. 2 is a front elevational view thereof, it being understood that the undisclosed rear elevational view is identical thereto;

FIG. 3 is a left-side elevational view thereof, it being understood that the undisclosed right-side elevational view is identical thereto;

FIG. 4 is a top plan view thereof;

FIG. 5 is a bottom plan view thereof;

FIG. 6 is a perspective view of an alternative embodiment of a tissue box cover with curved corner edges formed partially with wood grain surface appearances and showing my new design;

FIG. 7 is a front elevational view thereof, it being understood that the undisclosed rear elevational view is identical thereto;

FIG. 8 is a left-side elevational view thereof, it being understood that the undisclosed right-side elevational view is identical thereto;

FIG. 9 is a top plan view thereof;

FIG. 10 is a bottom plan view thereof;

FIG. 11 is a perspective view of an another alternative embodiment of a tissue box cover with curved corner edges having smooth, plain surfaces and showing my new design;

FIG. 12 is a front elevational view thereof, it being understood that the undisclosed rear elevational view is identical thereto; and

FIG. 13 is a left-side elevational view thereof, it being understood that the undisclosed right-side elevational view is identical thereto.

FIG. 14 is a top plan view thereof; and,

FIG. 15 is a bottom plan view thereof.

1 Claim, 9 Drawing Sheets

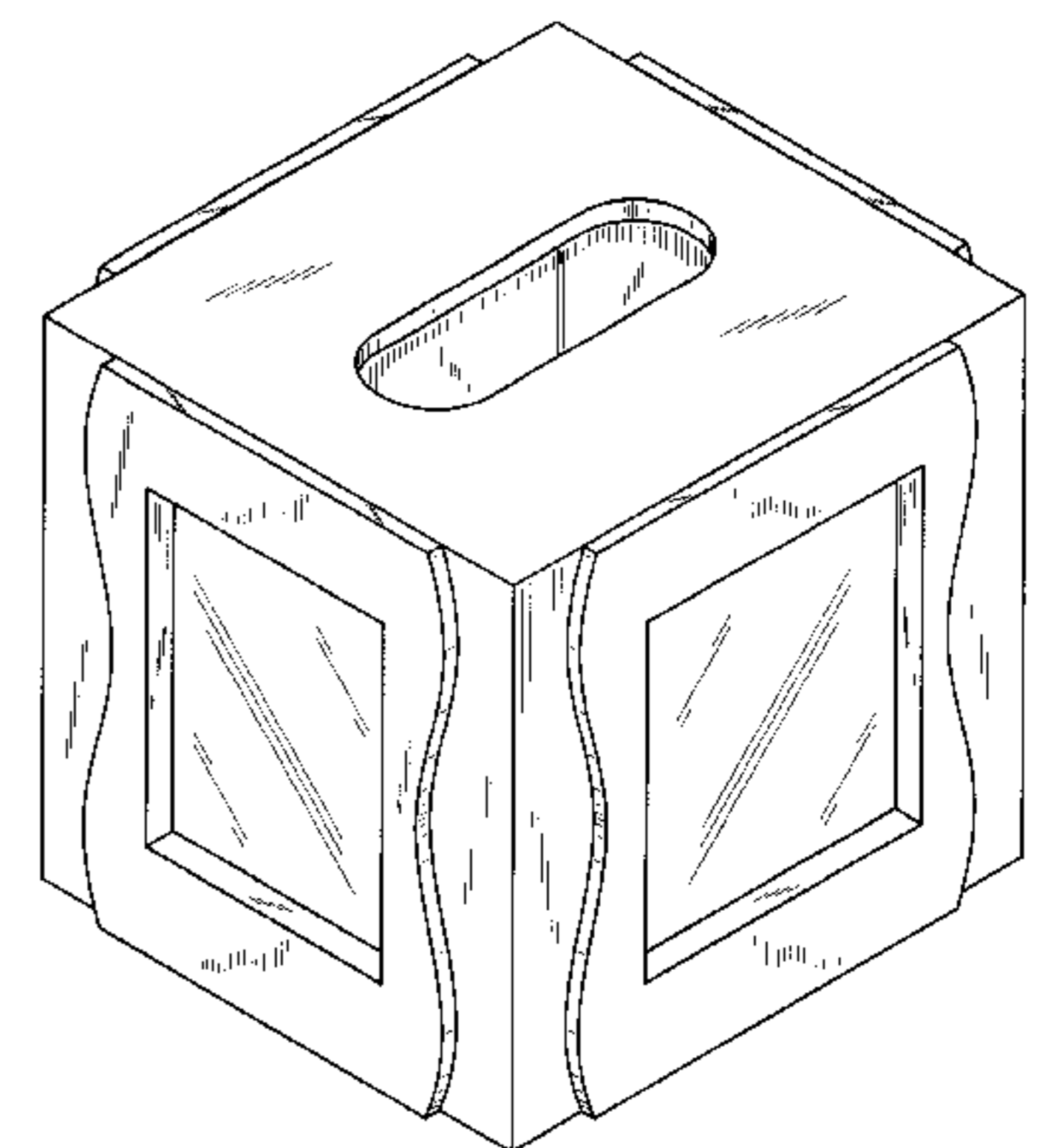
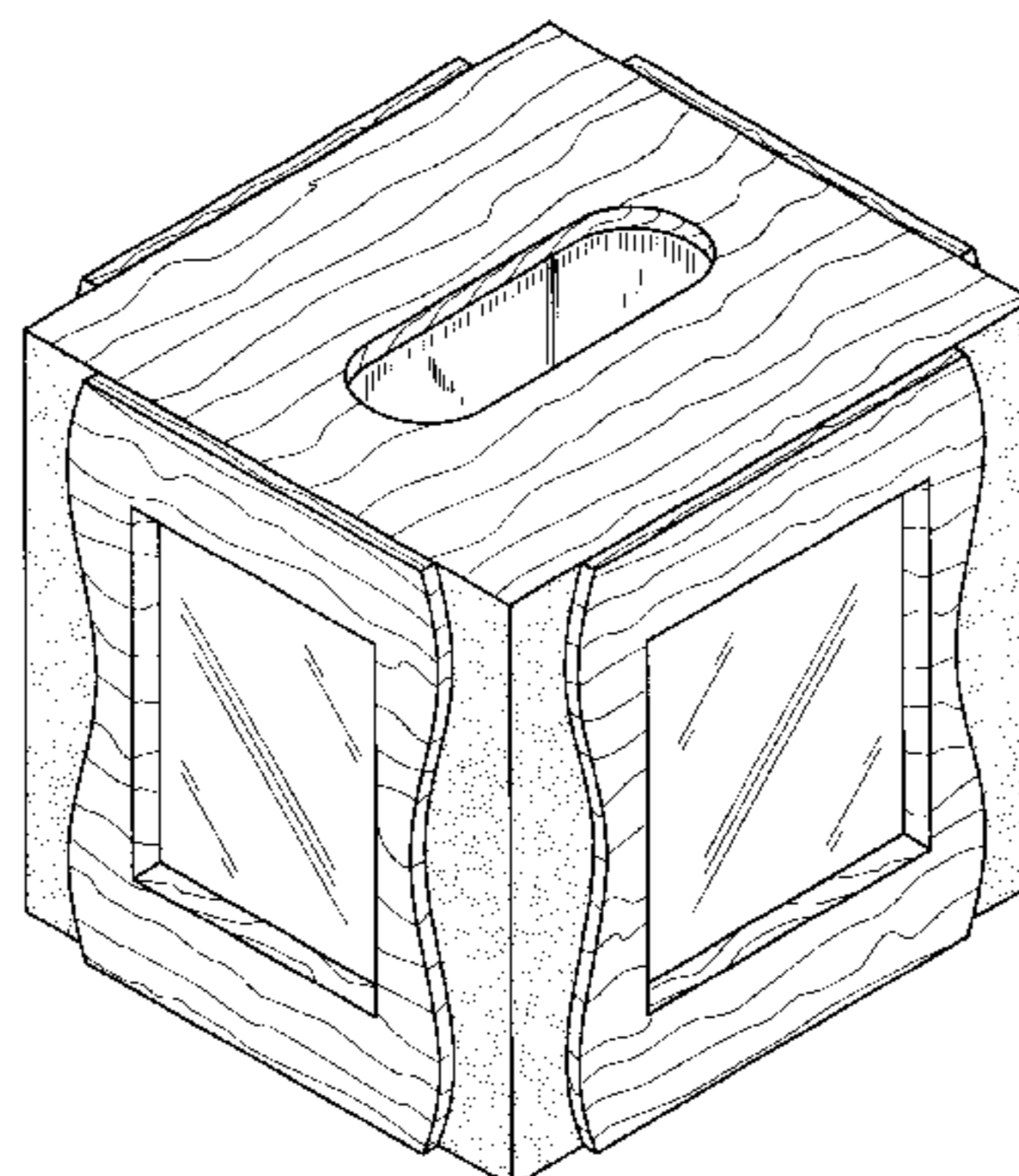
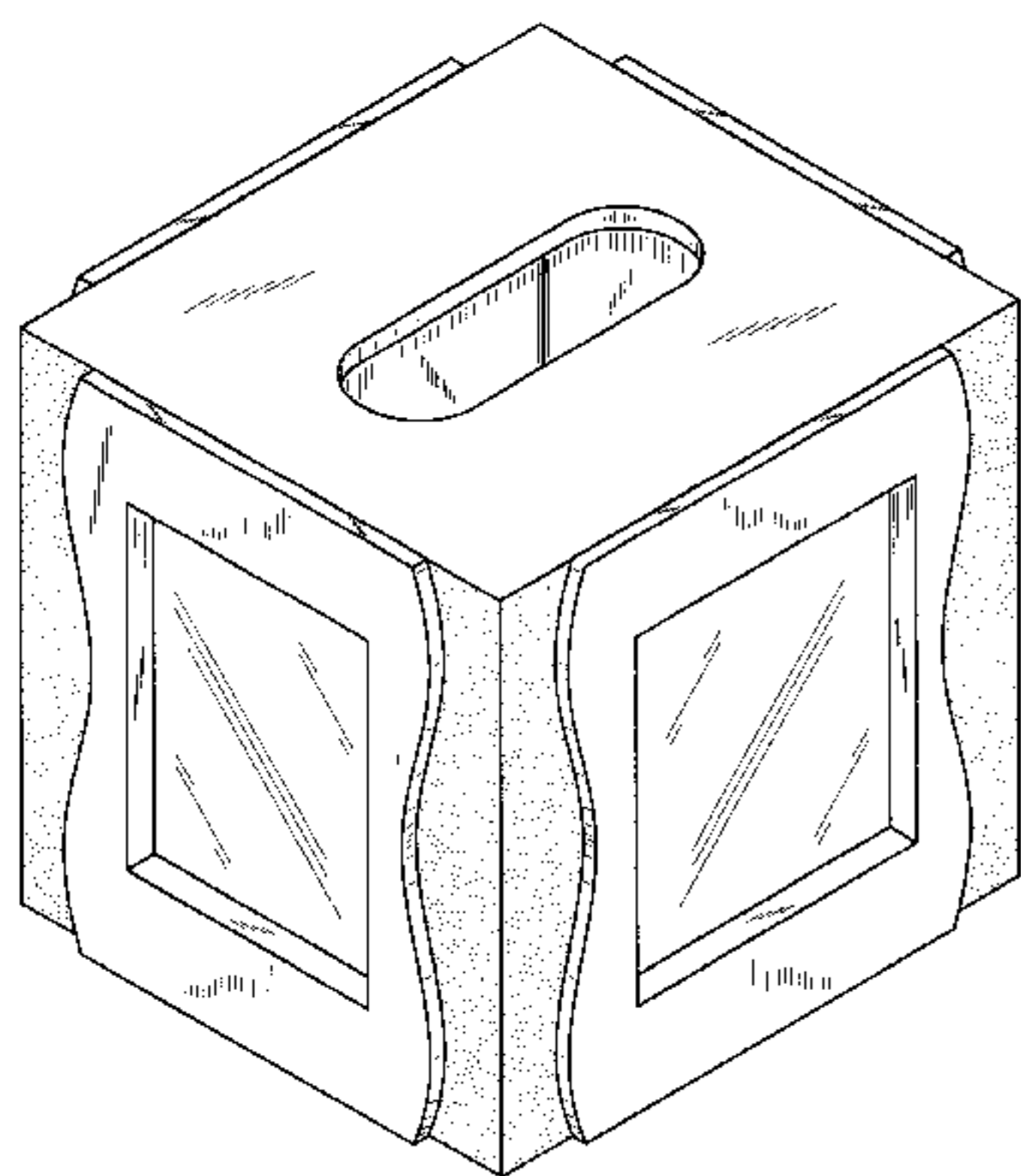


FIG. 1

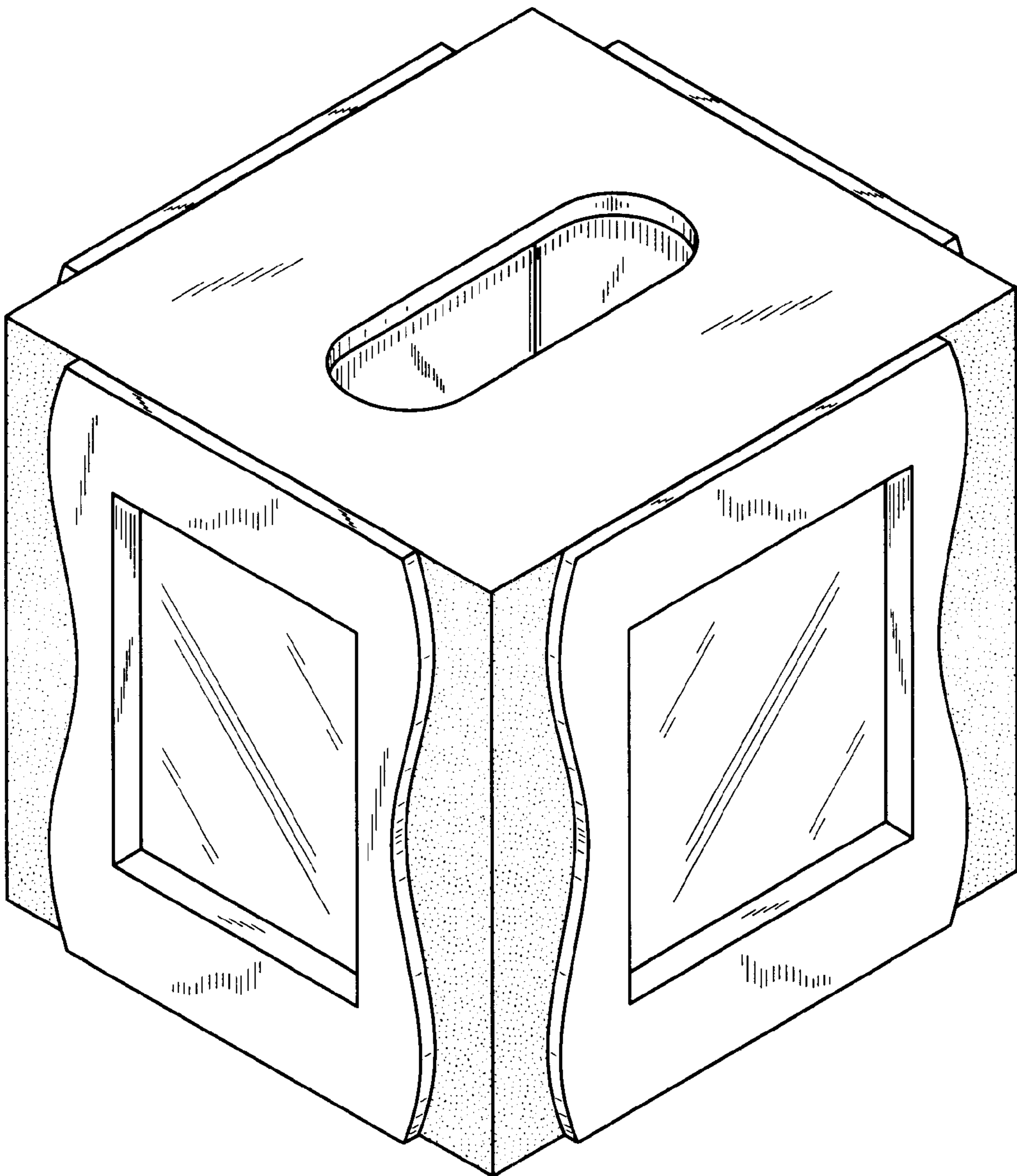


FIG. 3

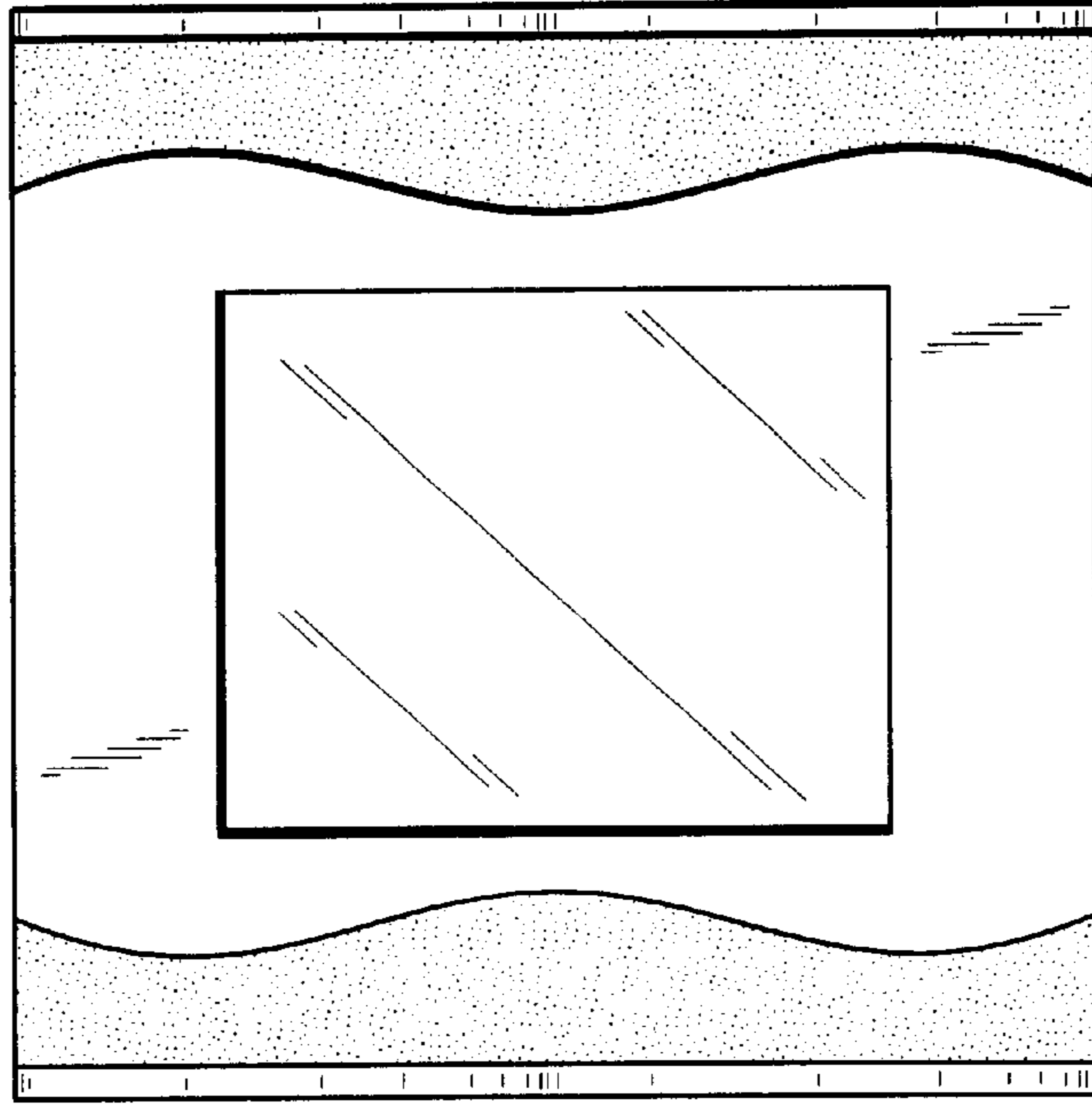


FIG. 2

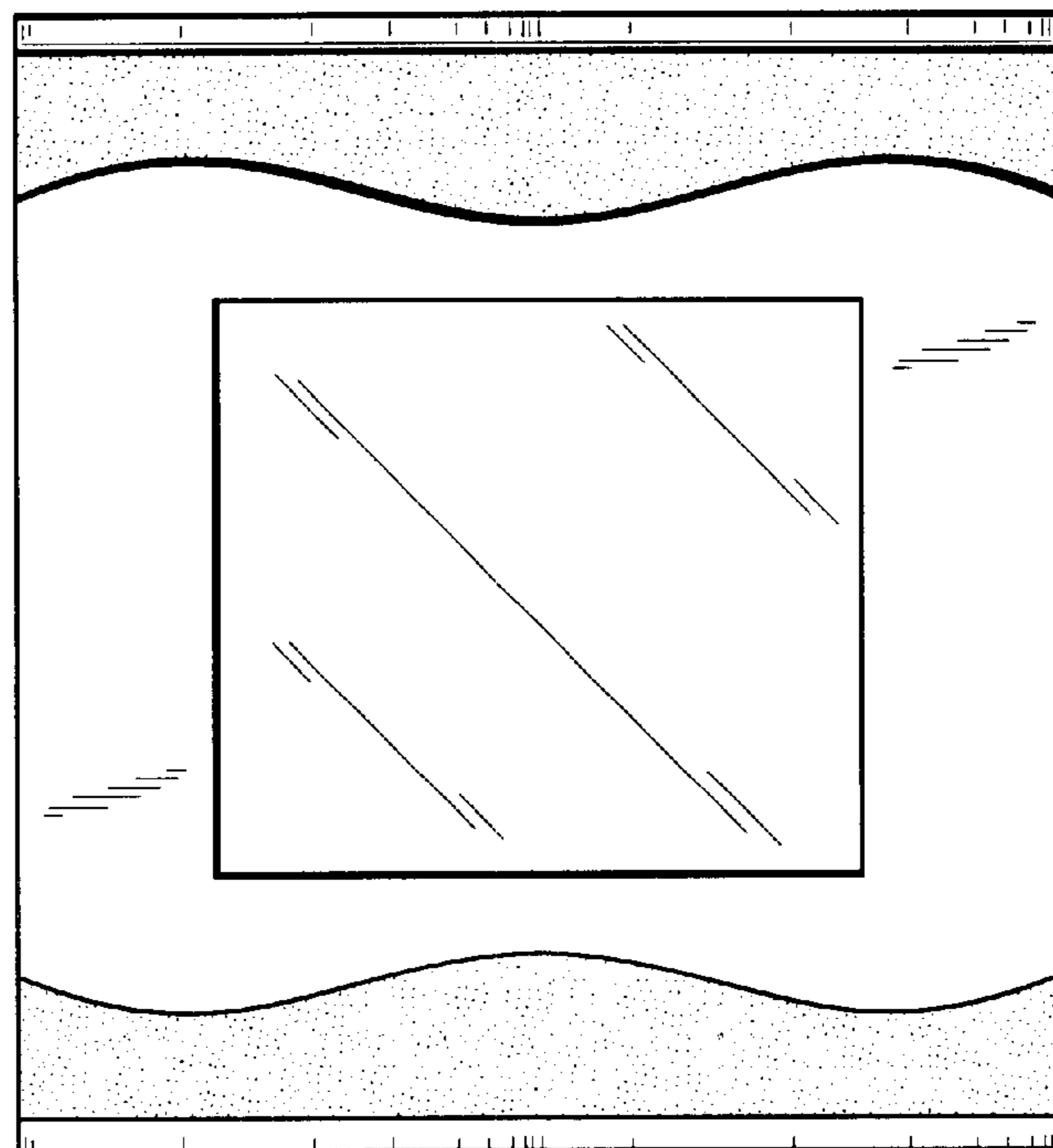


FIG. 4

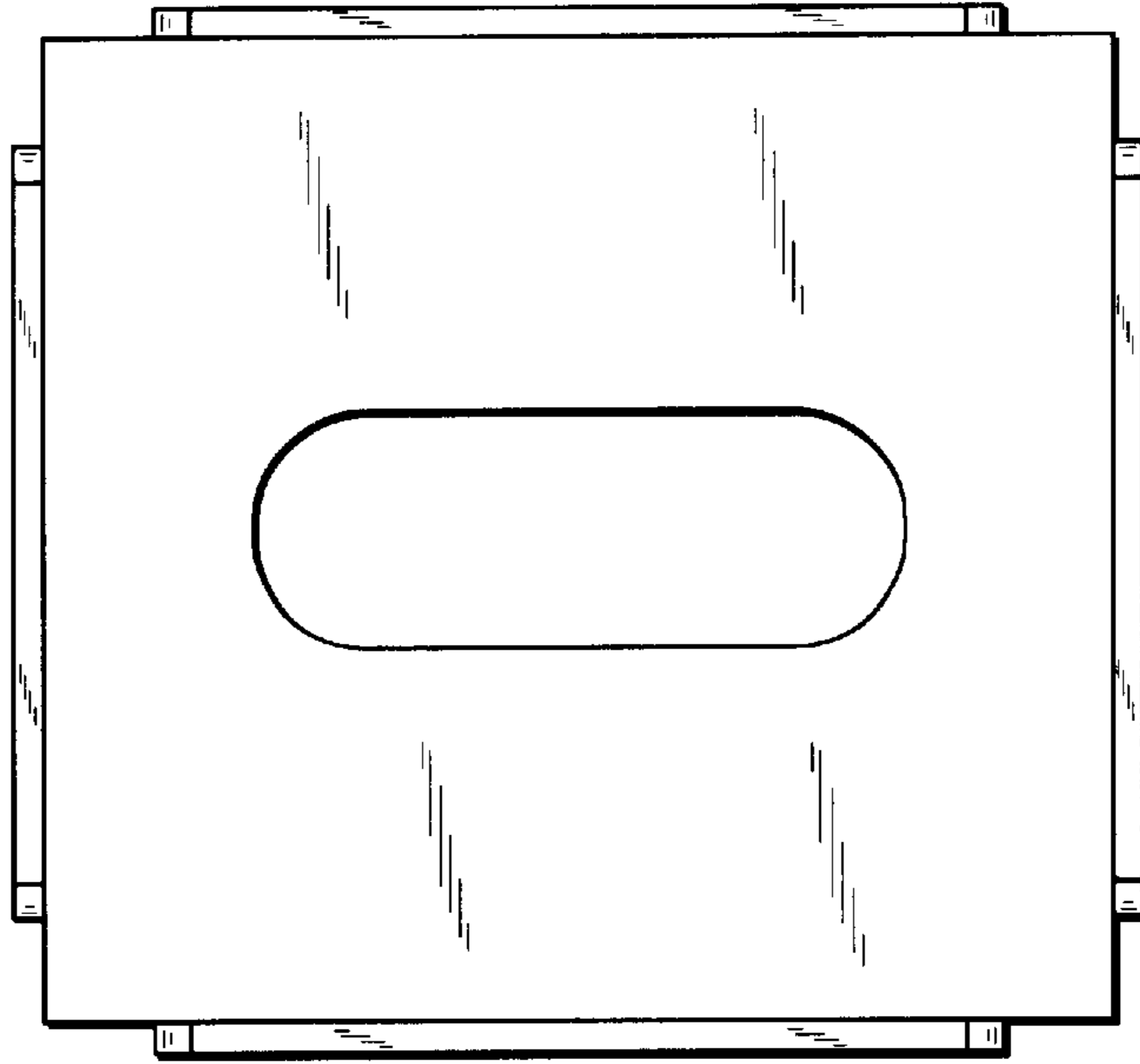


FIG. 5

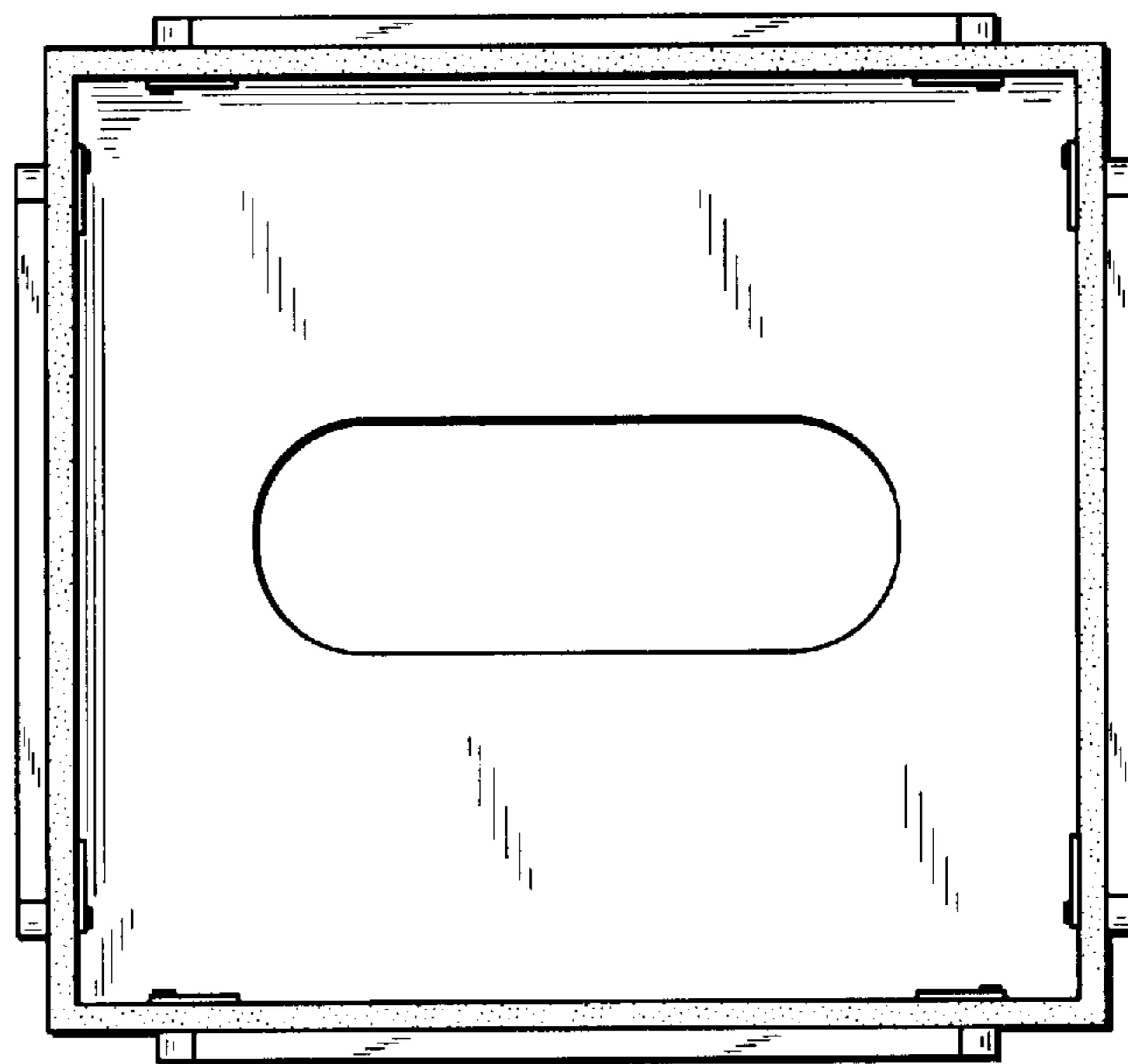


FIG. 6

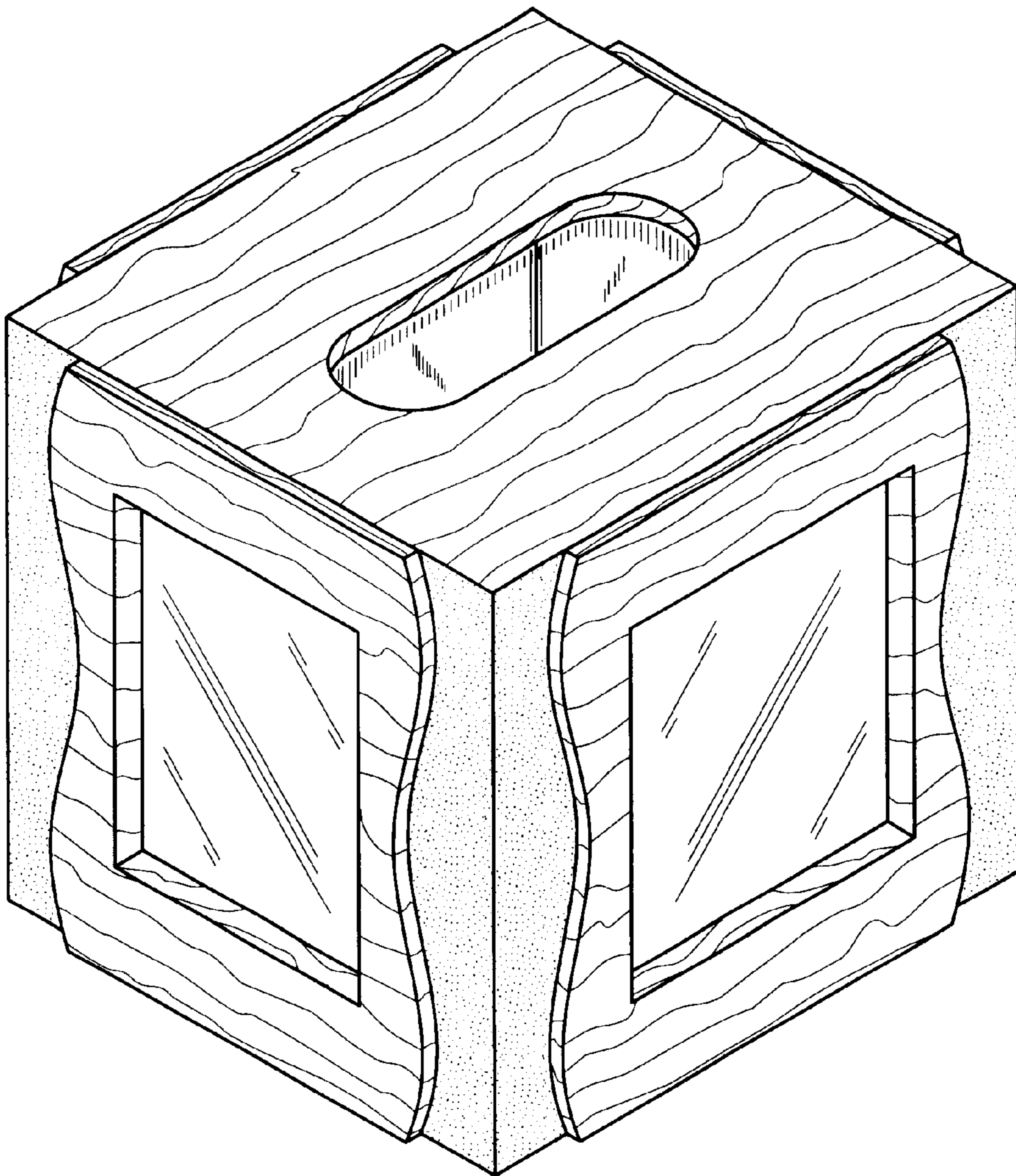


FIG. 8

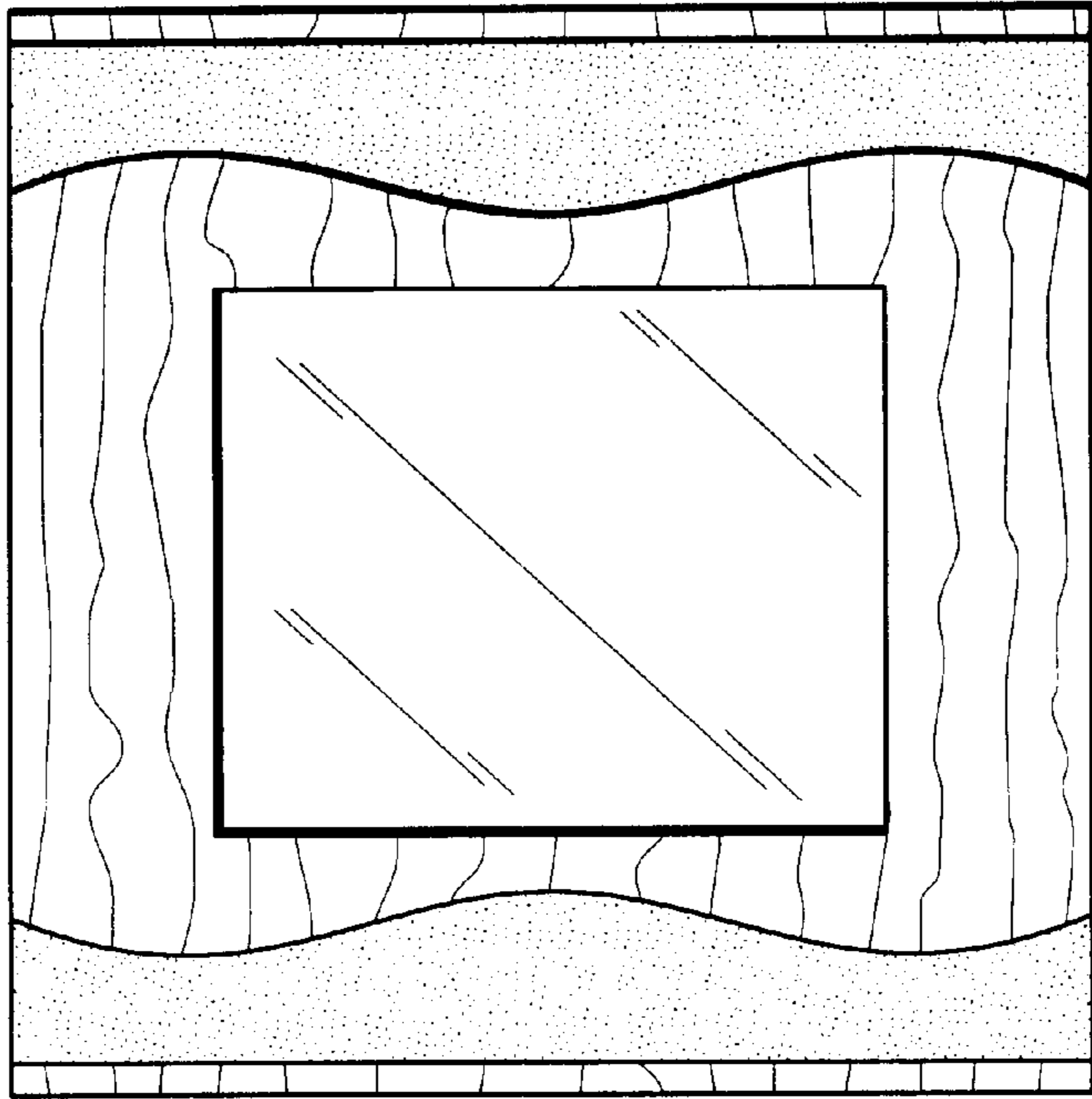


FIG. 7

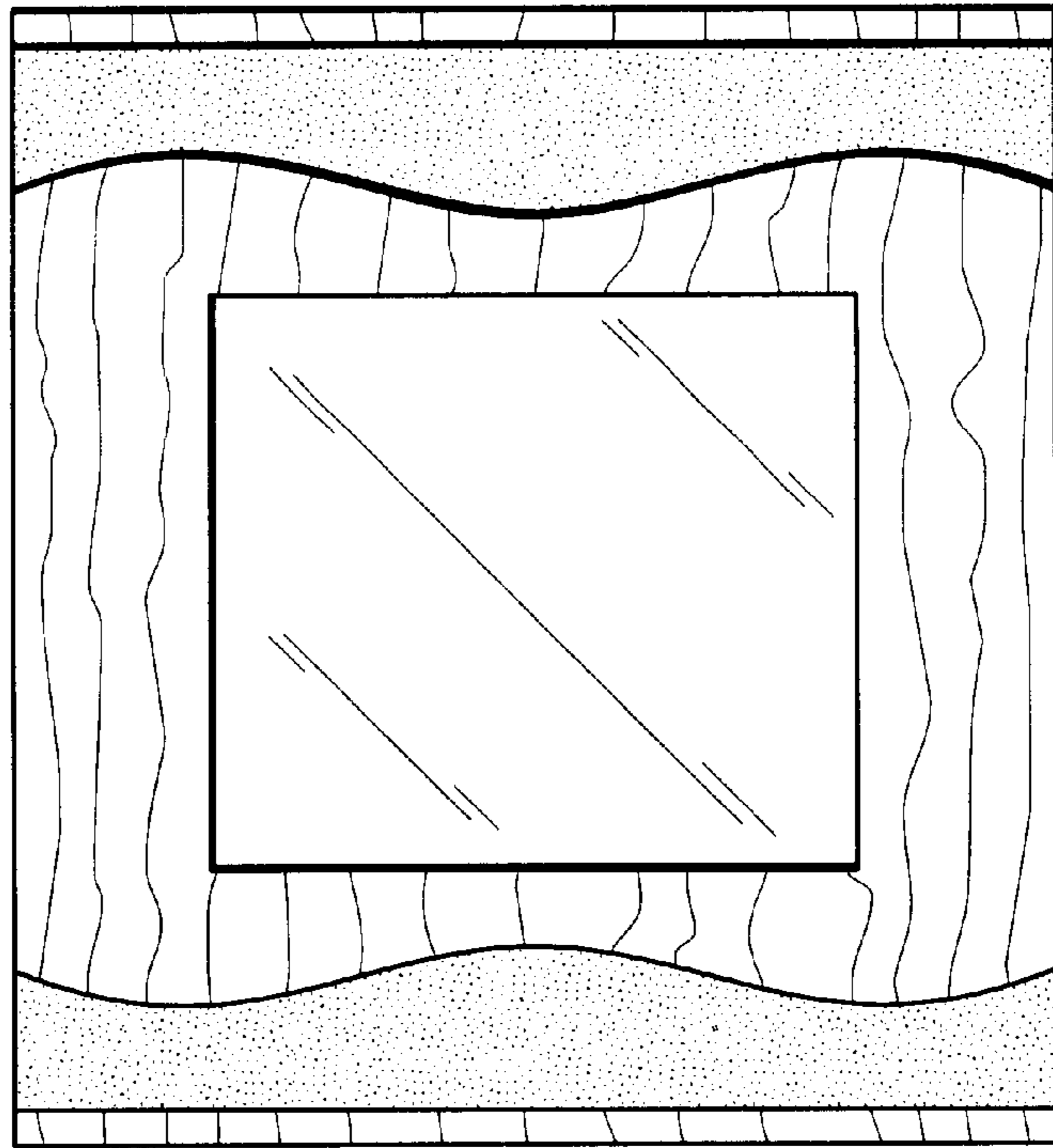


FIG. 9

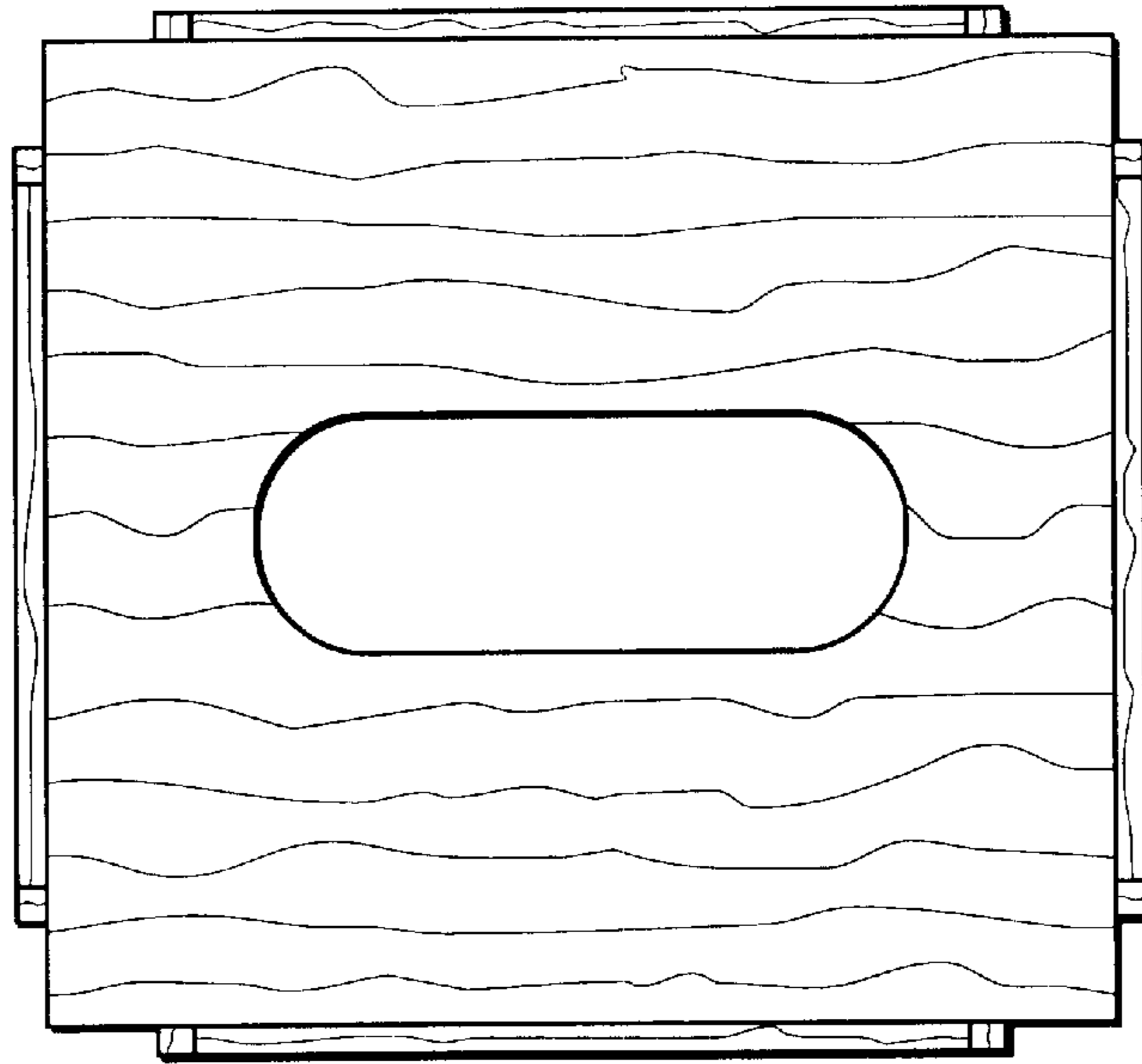


FIG. 10

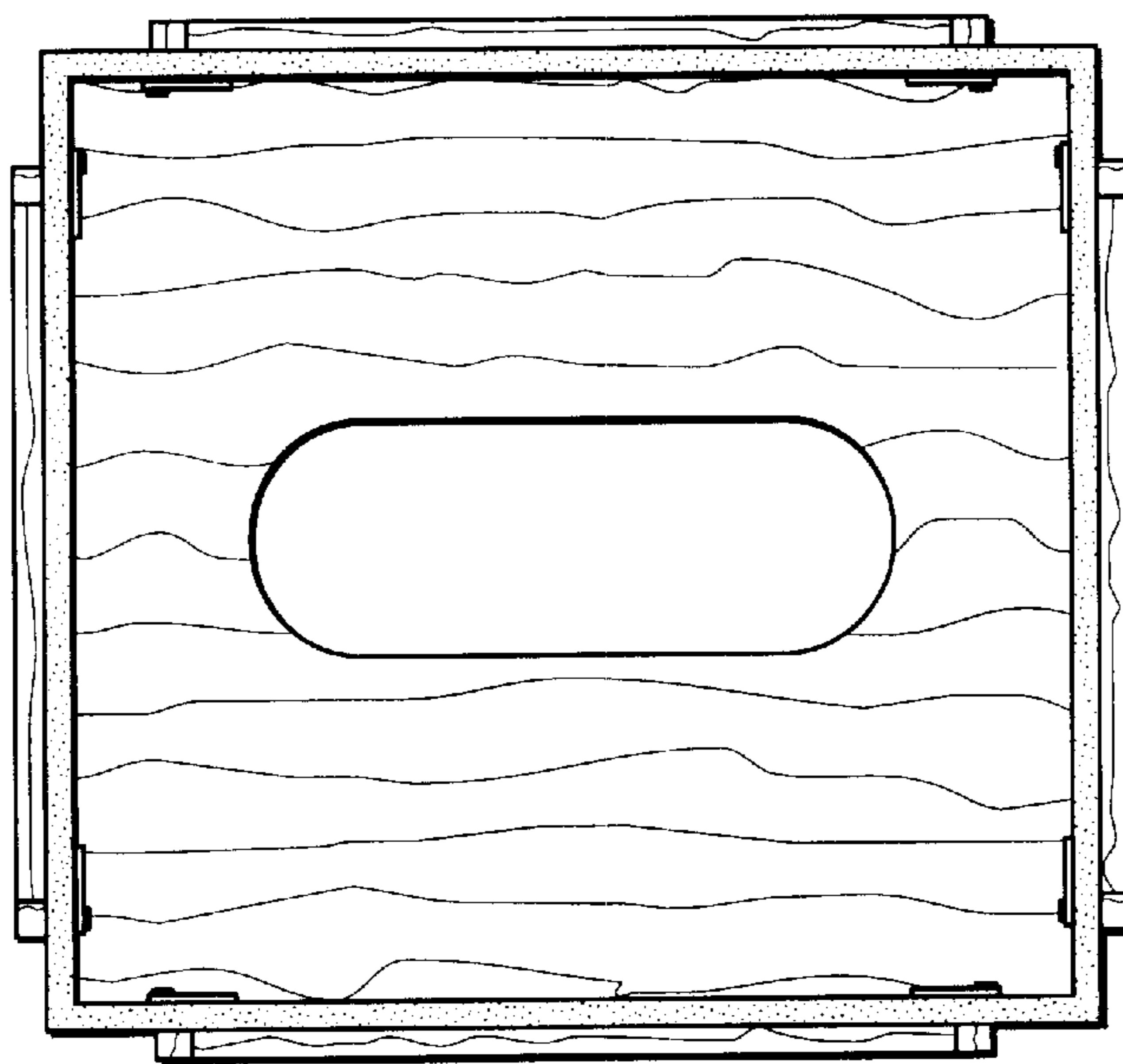


FIG. 11

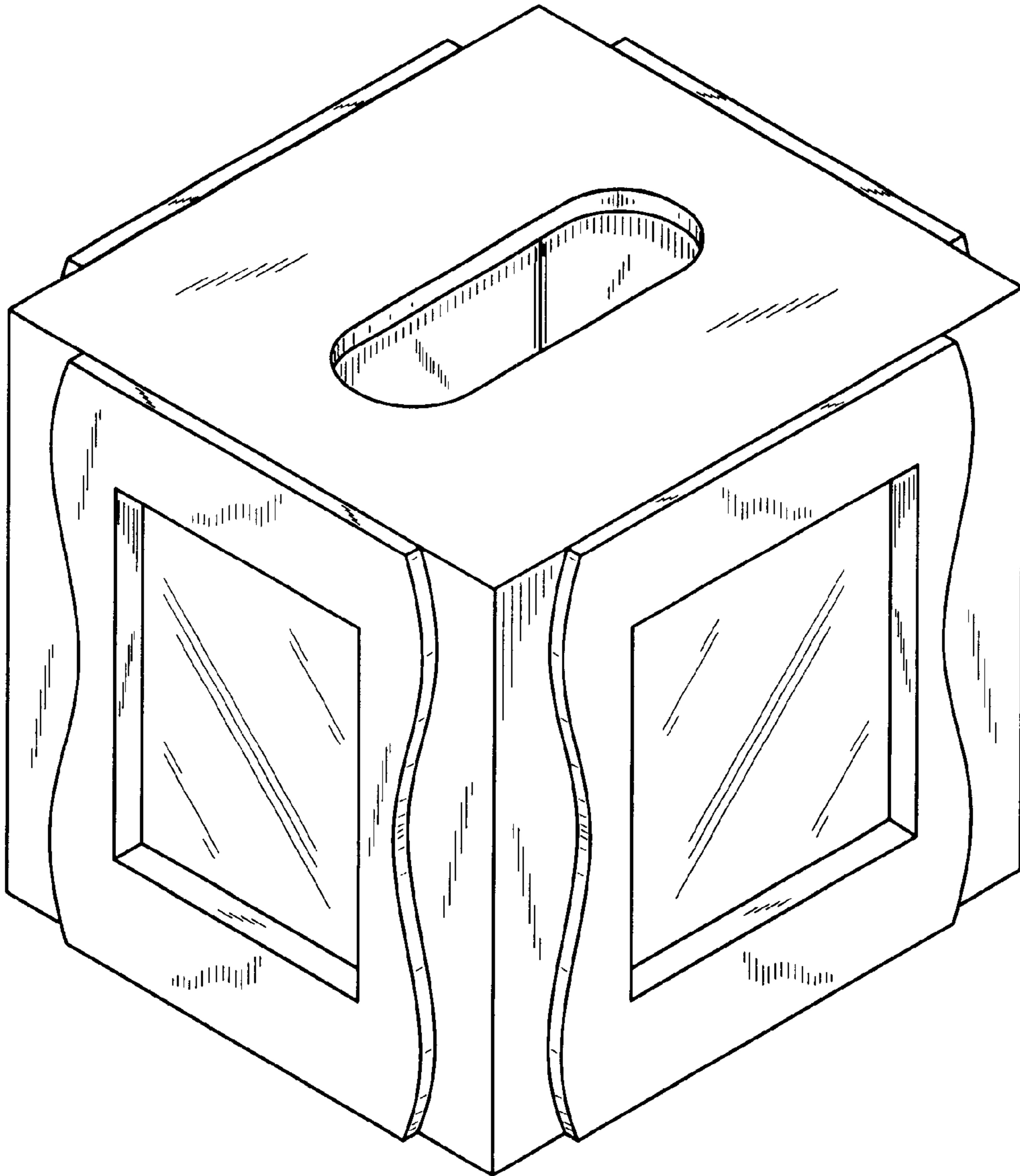


FIG. 13

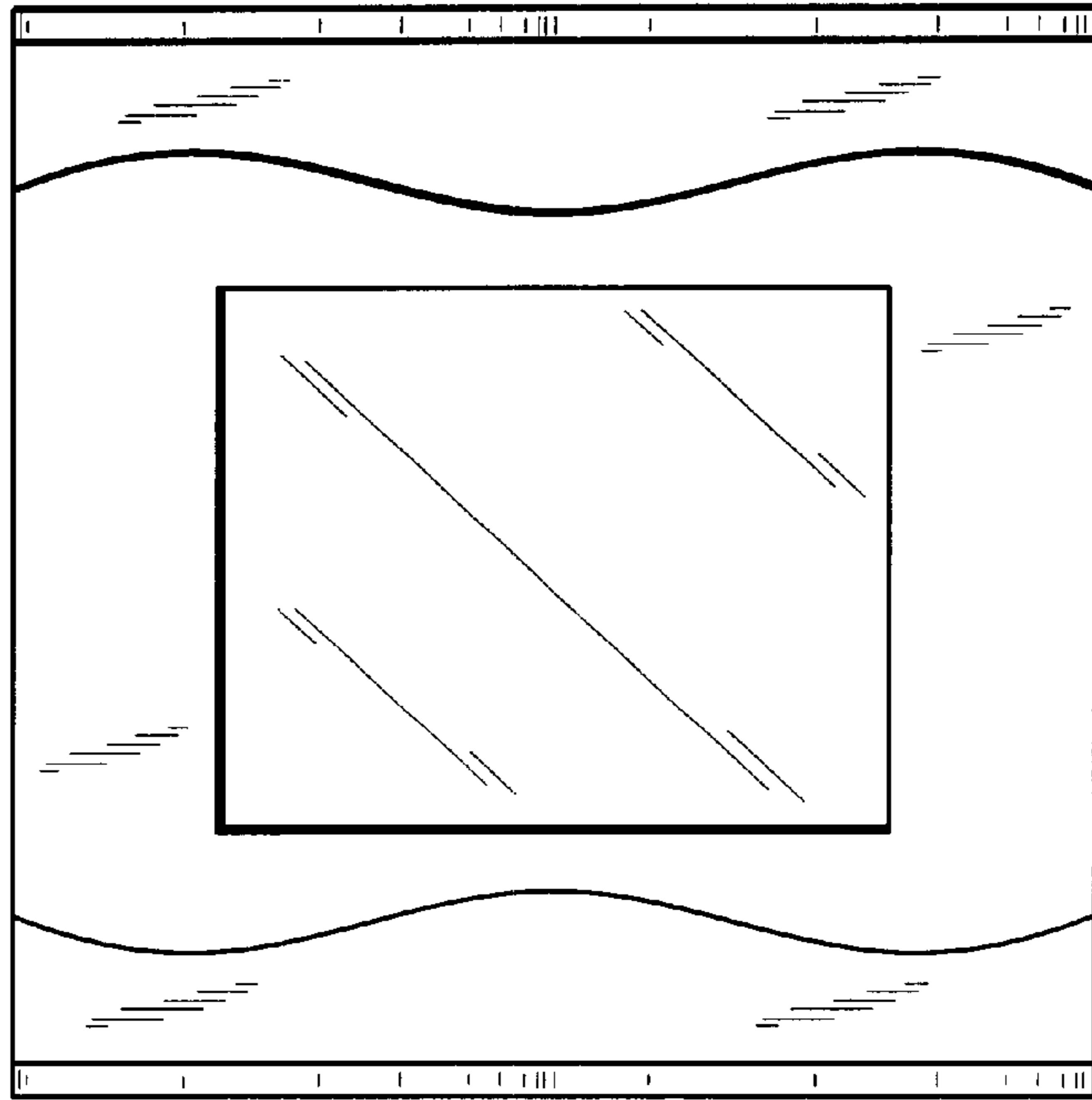


FIG. 12

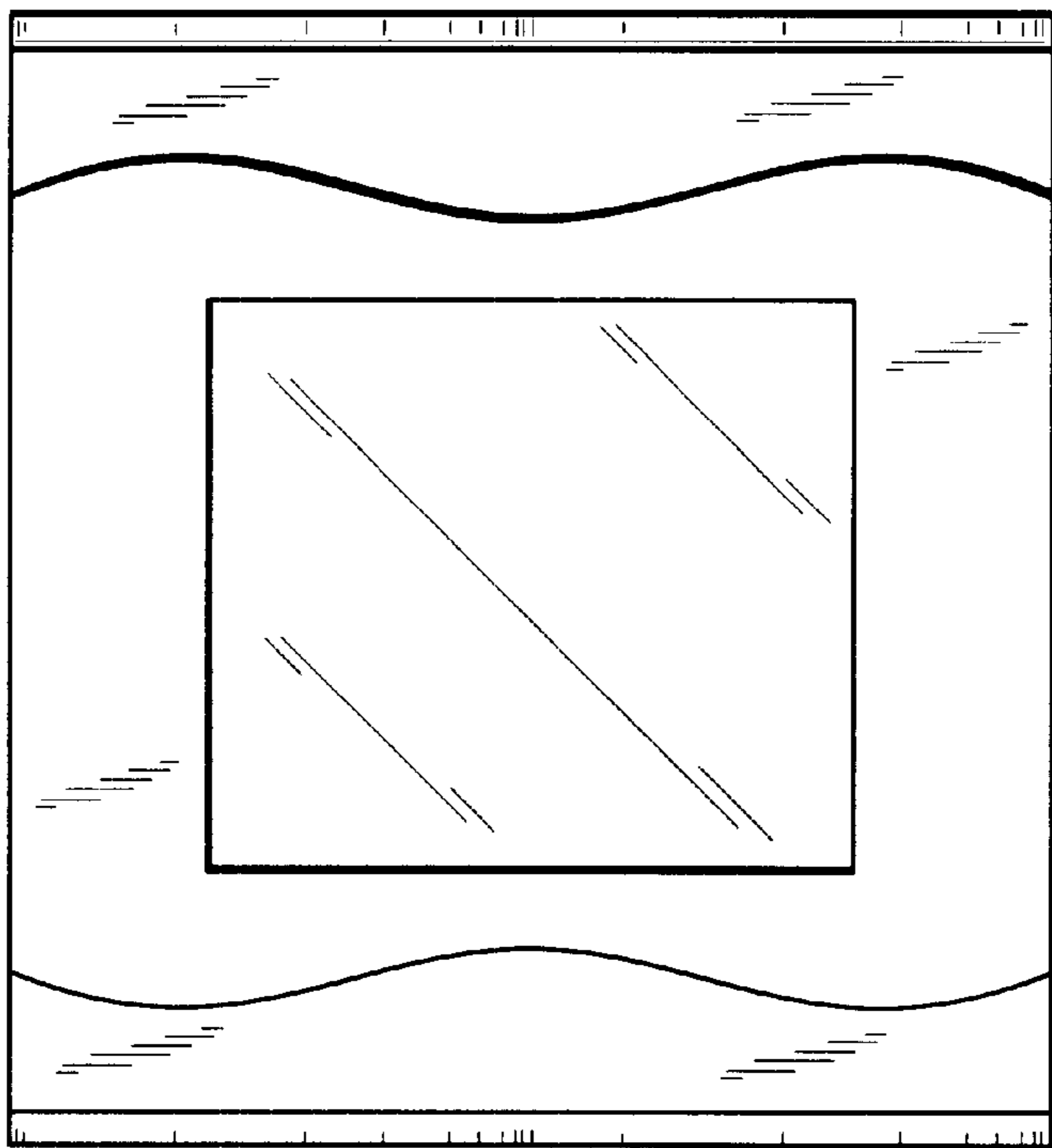


FIG. 14

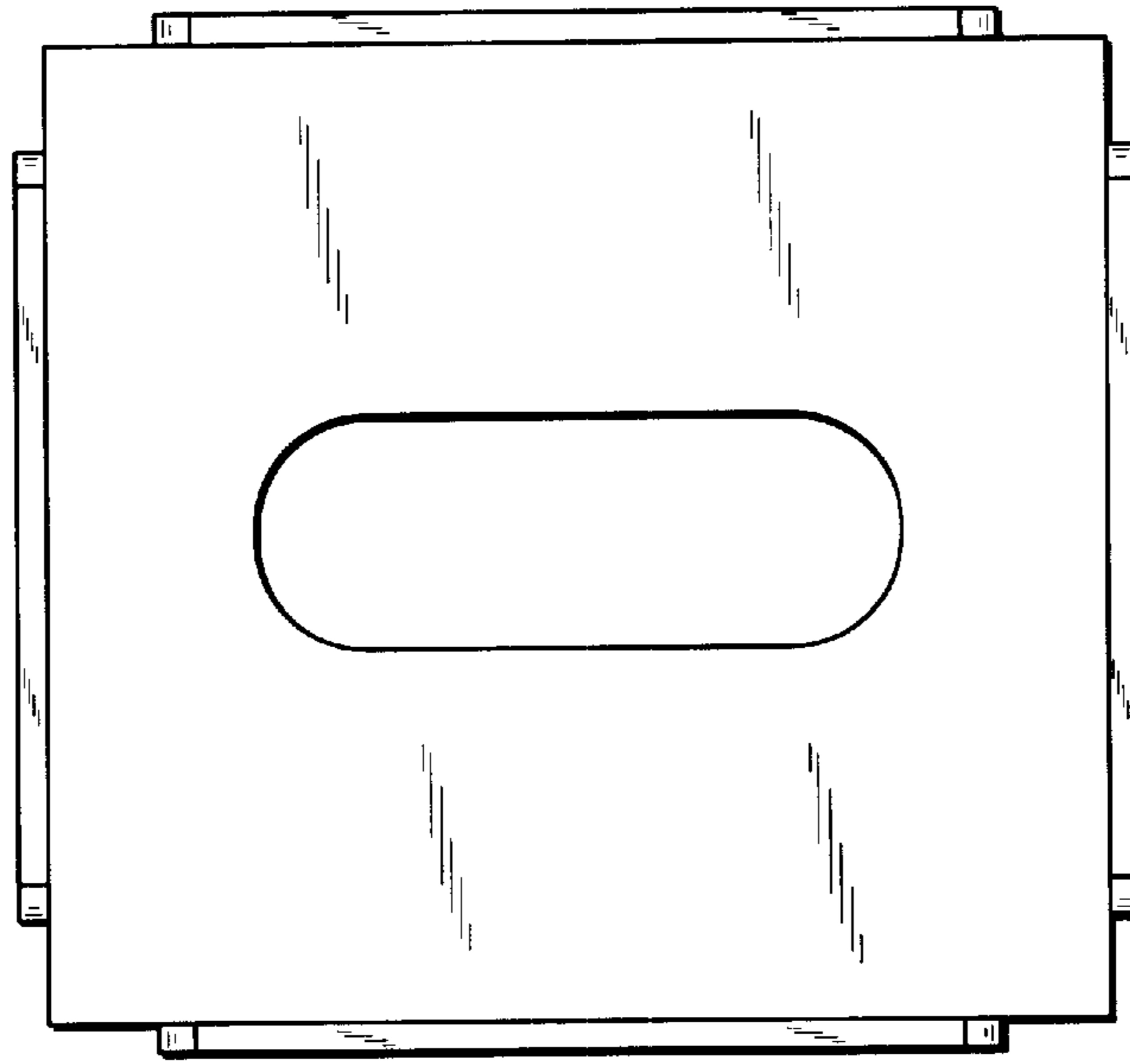


FIG. 15

