



US00D460887S

(12) **United States Design Patent**
Palka

(10) **Patent No.:** **US D460,887 S**

(45) **Date of Patent:** **** Jul. 30, 2002**

(54) **HEADER/FOOTER FOR FURNITURE**

(76) **Inventor:** **James J. Palka**, 420 Dana La.,
Barrington Hills, IL (US) 60010

(**) **Term:** **14 Years**

(21) **Appl. No.:** **29/130,463**

(22) **Filed:** **Oct. 3, 2000**

(51) **LOC (7) Cl.** **06-06**

(52) **U.S. Cl.** **D6/511; D6/495; D6/491**

(58) **Field of Search** D6/396, 432-448,
D6/510, 511, 553, 559, 561, 569, 470,
477-479, 445-446, 491, 495, 509; 312/194,
196, 204, 213, 278, 279, 330.1, 348.3,
348.4

(56) **References Cited**

U.S. PATENT DOCUMENTS

D285,761 S	9/1986	Palka	
D285,887 S	9/1986	Palka	
D292,842 S	* 11/1987	Lux D3/25
D296,285 S	6/1988	Palka	
D304,985 S	* 12/1989	Raptis D6/553
D312,366 S	11/1990	Palka	
D346,715 S	5/1994	Palka	
D351,073 S	10/1994	Palka	
D361,677 S	* 8/1995	Tatum et al. D6/436
D378,030 S	2/1997	Palka	
D378,880 S	4/1997	Palka	
D379,281 S	5/1997	Palka	
D382,139 S	8/1997	Palka	
D385,723 S	11/1997	Palka	
D385,724 S	11/1997	Palka	
D386,346 S	11/1997	Palka	
D387,580 S	* 12/1997	Walters, III et al. D6/434

D433,249 S	* 11/2000	Wilson et al. D6/446
D436,279 S	* 1/2001	Walker D6/561
D437,508 S	* 2/2001	Wistehuff, Sr. D6/438
D449,464 S	* 10/2001	Hutton D6/446

OTHER PUBLICATIONS

Thomasville Innkeepers Classics, Old Lyme Crockery Cabinet, p. 13, 1994.*

Service Merchandise, Brentwood Wall Console, p. 348, 1996/1997.*

* cited by examiner

Primary Examiner—Cathron C. Brooks

(74) *Attorney, Agent, or Firm*—August E. Roehrig, Jr.;
Hancock & Estabrook, LLP

(57) **CLAIM**

The ornamental design for a header/footer for furniture, as shown and described.

DESCRIPTION

FIG. 1 is a front perspective view of the header/footer for furniture of my invention;

FIG. 2 is a rear perspective view of the header/footer for furniture of my invention;

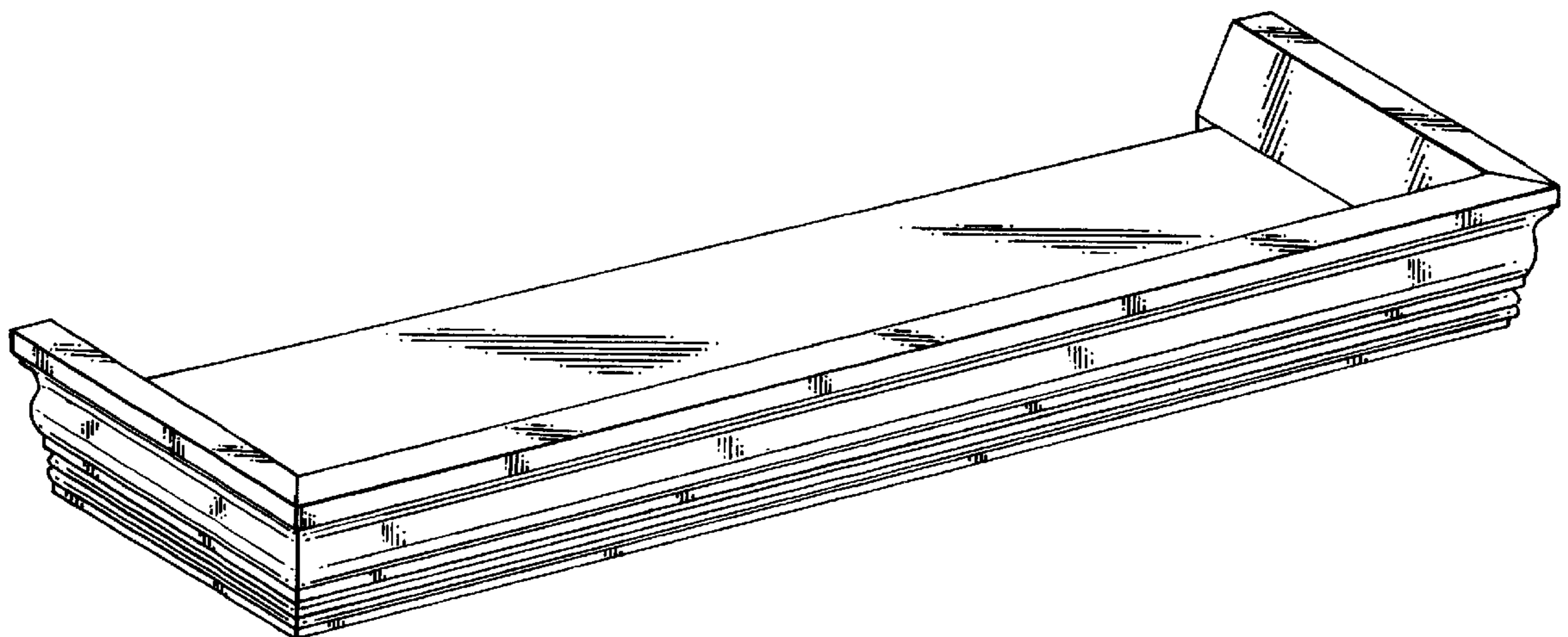
FIG. 3 is a front view of my invention, shown as a header on a medicine cabinet;

FIG. 4 is a side profile view of my invention as illustrated in FIG. 3, the opposite side being a mirror image thereof;

FIG. 5 is an enlarged cross section of my invention as illustrated in FIG. 3, taken along line 5—5 to better illustrate the contour thereof; and,

FIG. 6 is a front view of my invention, shown in an alternate position of use, as a footer on a medicine cabinet.

1 Claim, 4 Drawing Sheets



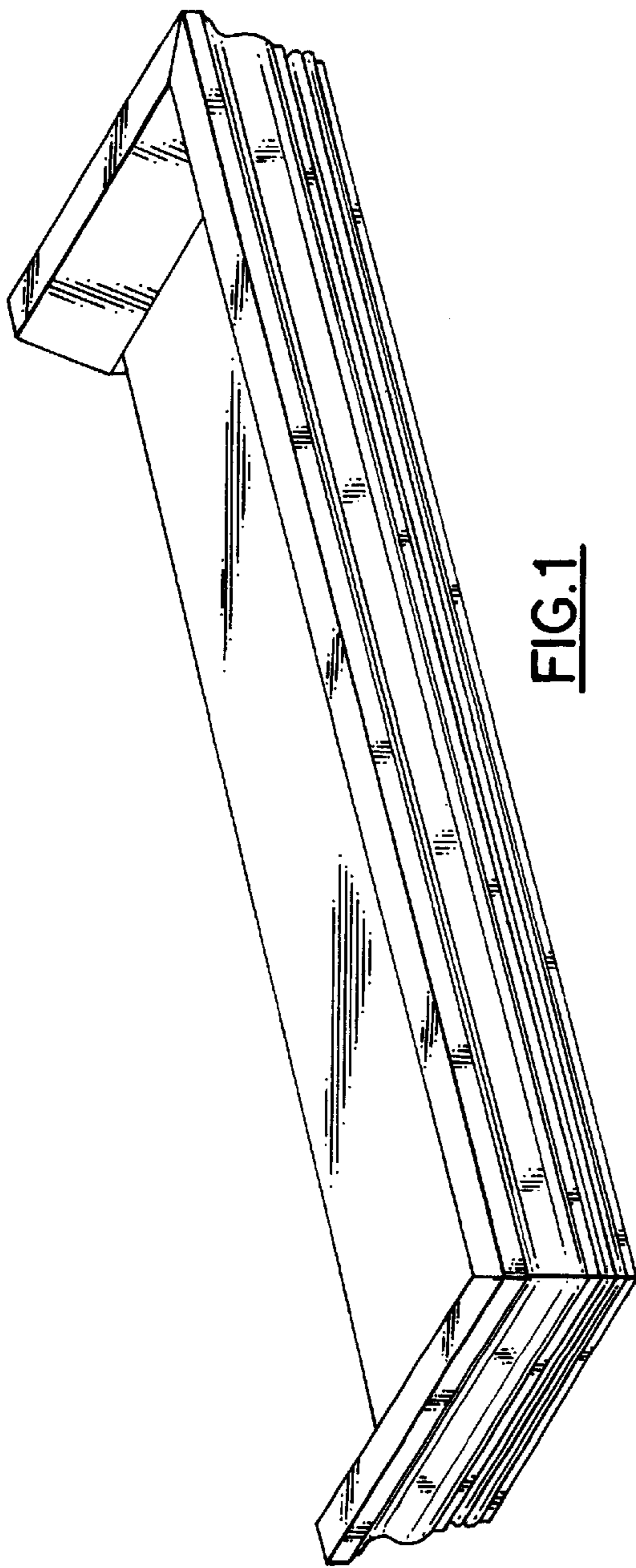


FIG. 1

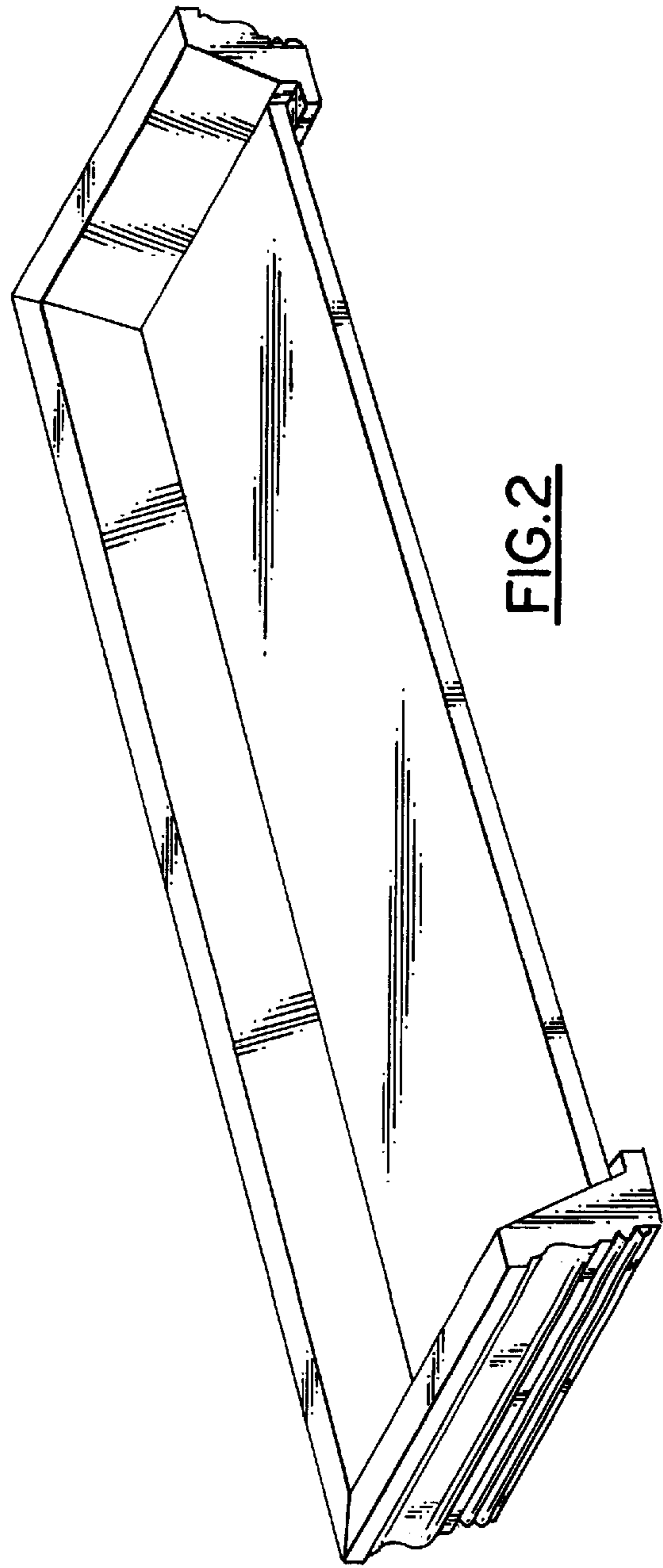


FIG. 2

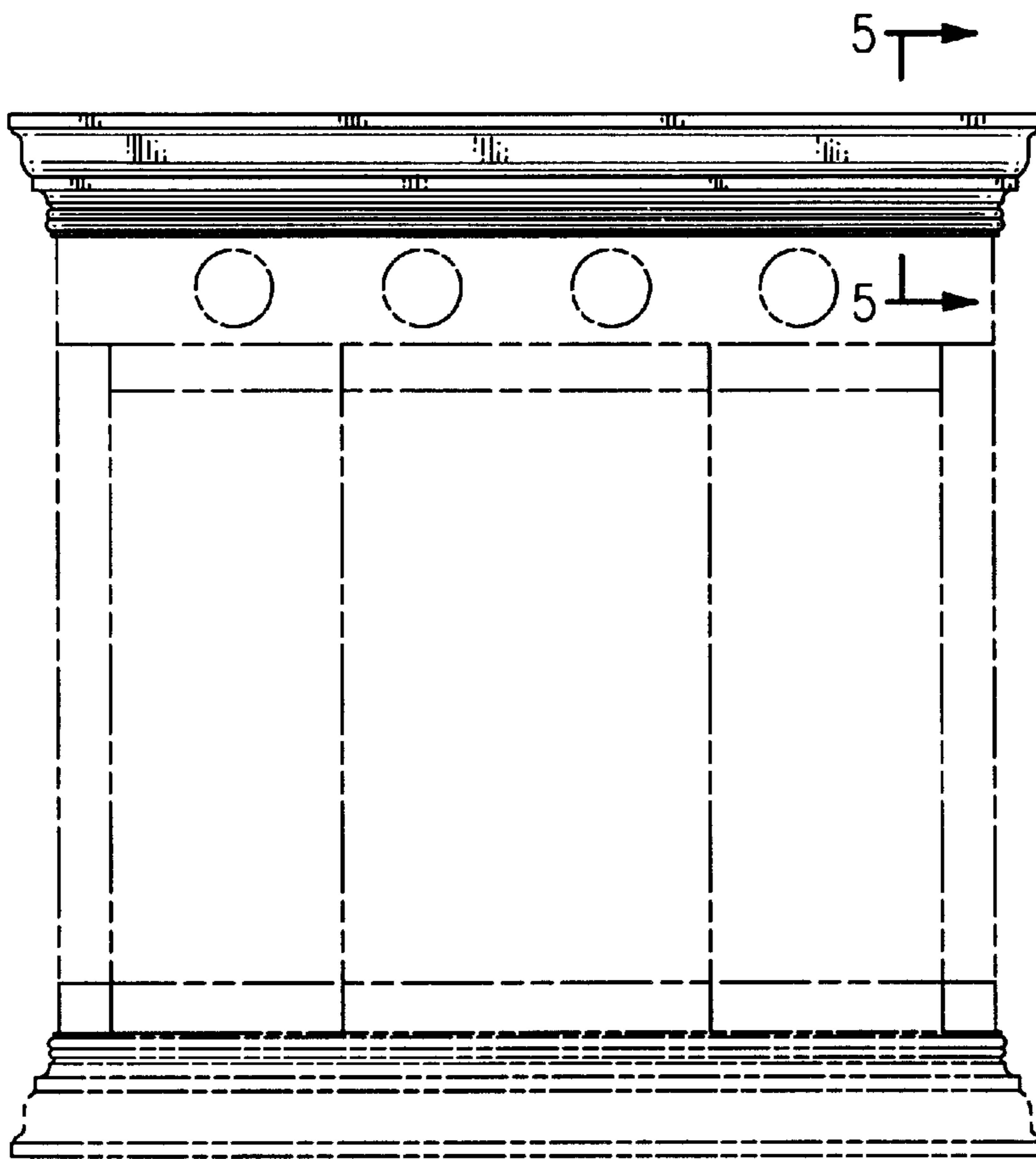


FIG. 3

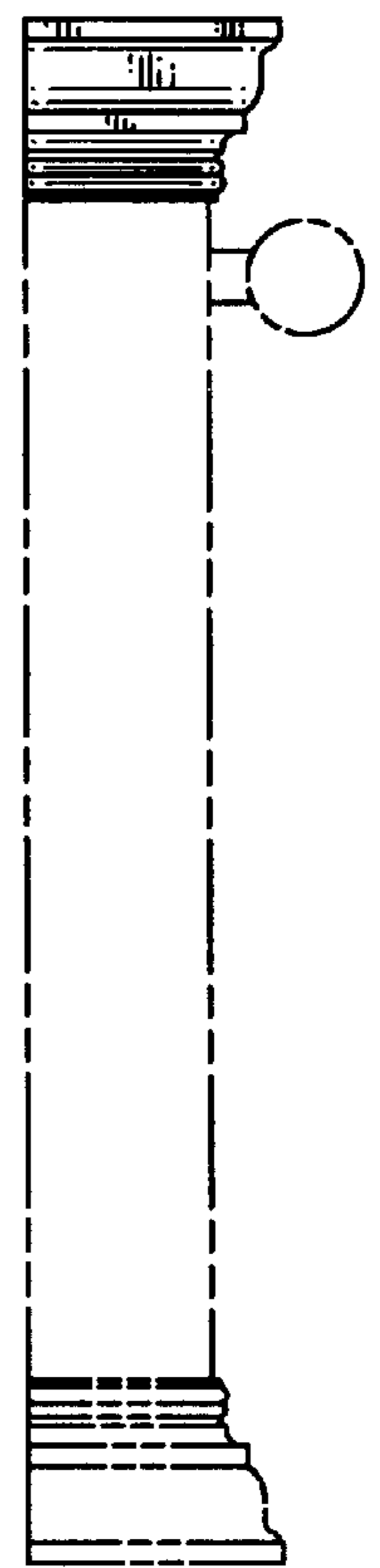


FIG. 4

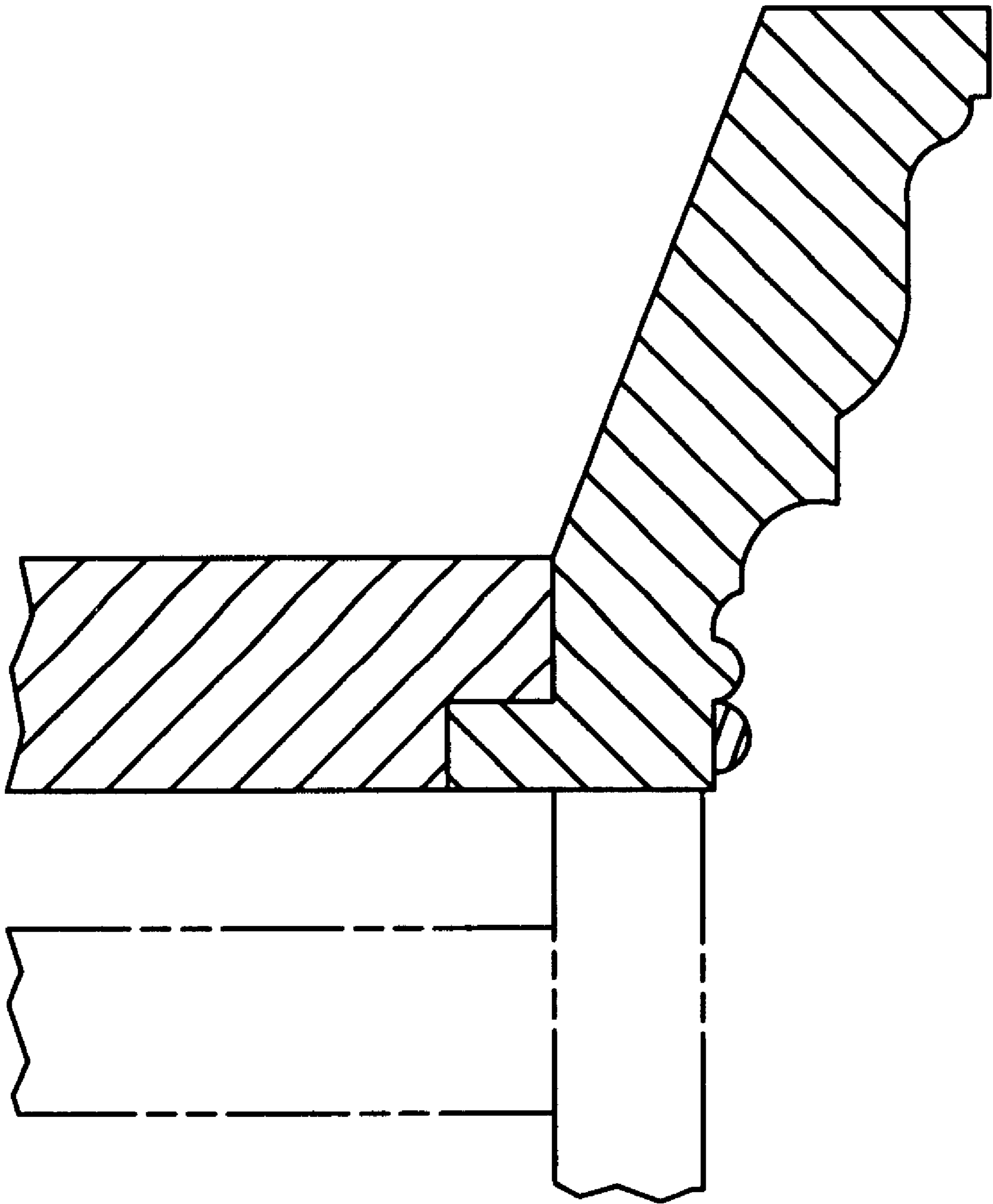


FIG. 5

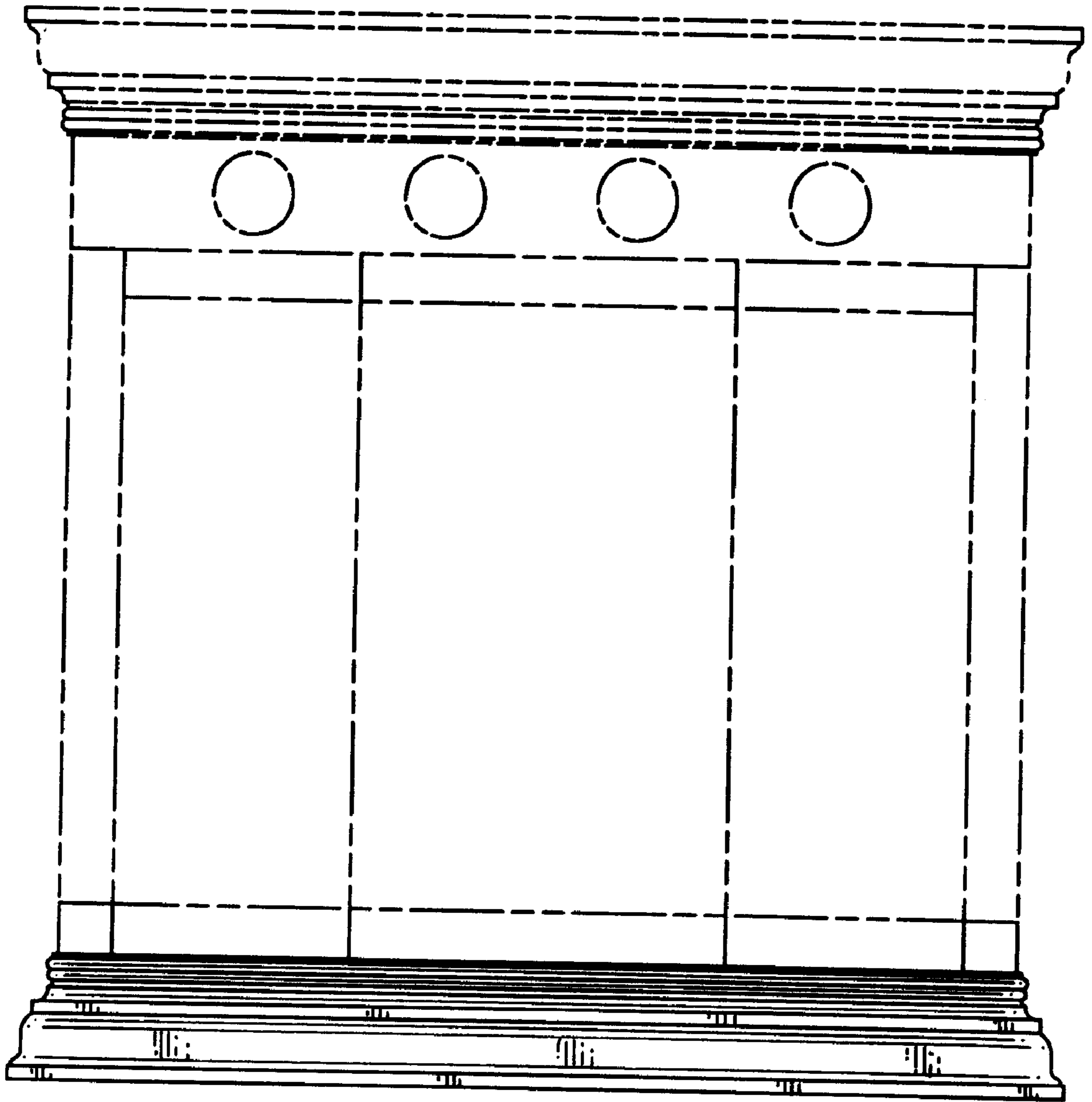


FIG. 6