



US00D460885S

(12) **United States Design Patent**  
**Silva**

(10) **Patent No.:** **US D460,885 S**

(45) **Date of Patent:** **\*\* Jul. 30, 2002**

(54) **EXECUTIVE CHAIR**

(75) Inventor: **Don Silva**, Diablo, CA (US)

(73) Assignee: **National Upholstering Company**,  
Emeryville, CA (US)

(\*\*) Term: **14 Years**

(21) Appl. No.: **29/148,229**

(22) Filed: **Sep. 17, 2001**

(51) **LOC (7) Cl.** ..... **06-06**

(52) **U.S. Cl.** ..... **D6/500; D6/366**

(58) **Field of Search** ..... D6/334, 364, 365,  
D6/366, 367, 500, 501, 502; 297/411.2,  
411.27, 411.28

(56) **References Cited**

**U.S. PATENT DOCUMENTS**

D267,371 S	*	12/1982	Lopez-Benitez	.....	D6/366
D300,483 S	*	4/1989	Jenkins	.....	D6/366
D327,585 S	*	7/1992	Hollington	.....	D6/366
D330,810 S	*	11/1992	Stafford	.....	D6/366
D386,622 S	*	11/1997	Kelley et al.	.....	D6/366
D401,428 S	*	11/1998	Kaczmarek	.....	D6/366
D408,164 S	*	4/1999	Popham et al.	.....	D6/366
D418,986 S	*	1/2000	Natuzzi et al.	.....	D6/334

**OTHER PUBLICATIONS**

Edgar B Furniture Plantation, p. 218, Chair #7-101 at bottom right, 1982.\*

Chervan, p. 29, Chair #6254 at left top, ©1989.\*

\* cited by examiner

*Primary Examiner*—Gary D. Watson

(74) *Attorney, Agent, or Firm*—Thomas R. Lampe

(57) **CLAIM**

The ornamental design for executive chair, as shown and described.

**DESCRIPTION**

FIG. 1 is a perspective view of executive chair showing my design;

FIG. 2 is a front elevation view thereof;

FIG. 3 is a left elevation side view thereof, the right elevation side view being a mirror image;

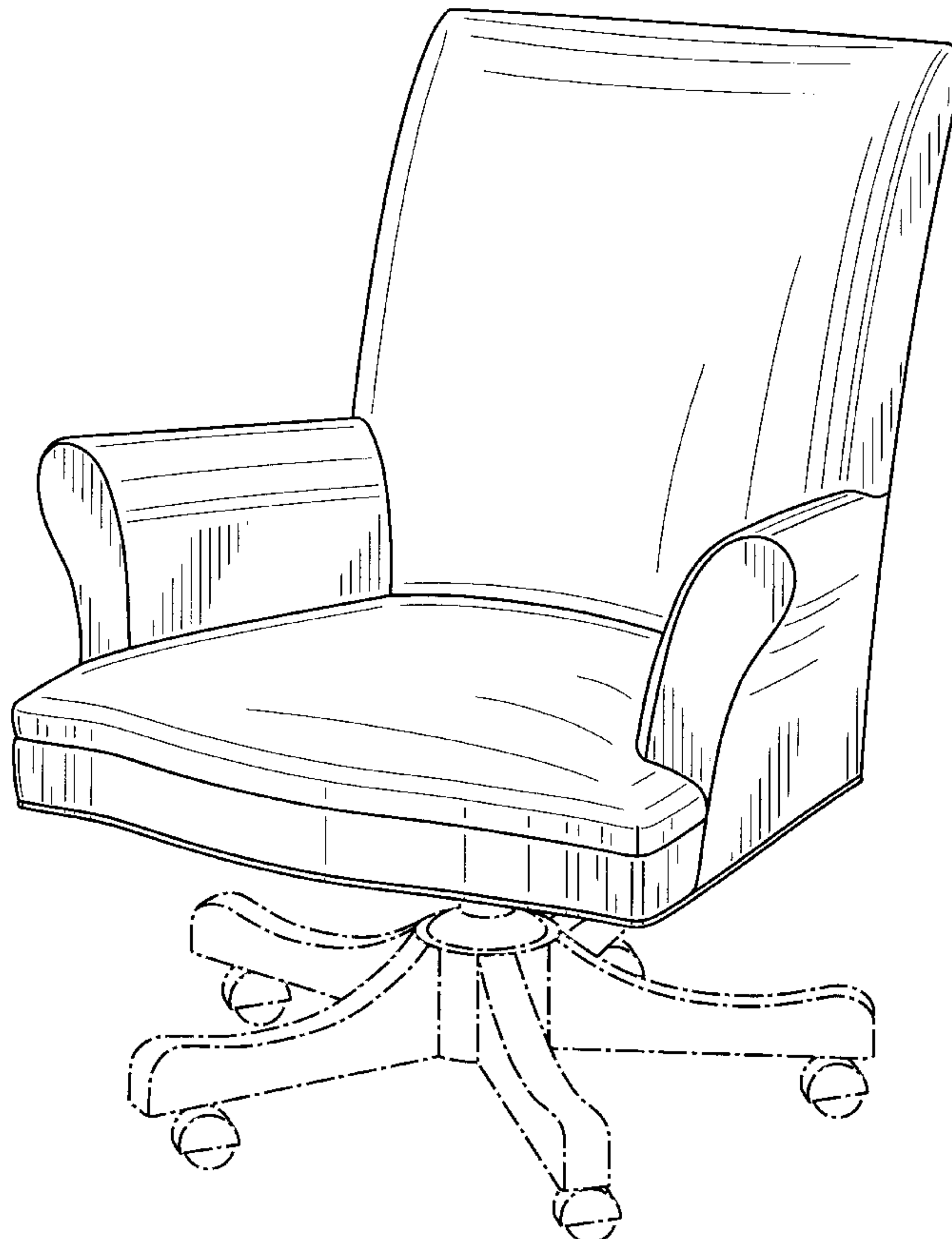
FIG. 4 is a back elevation view thereof;

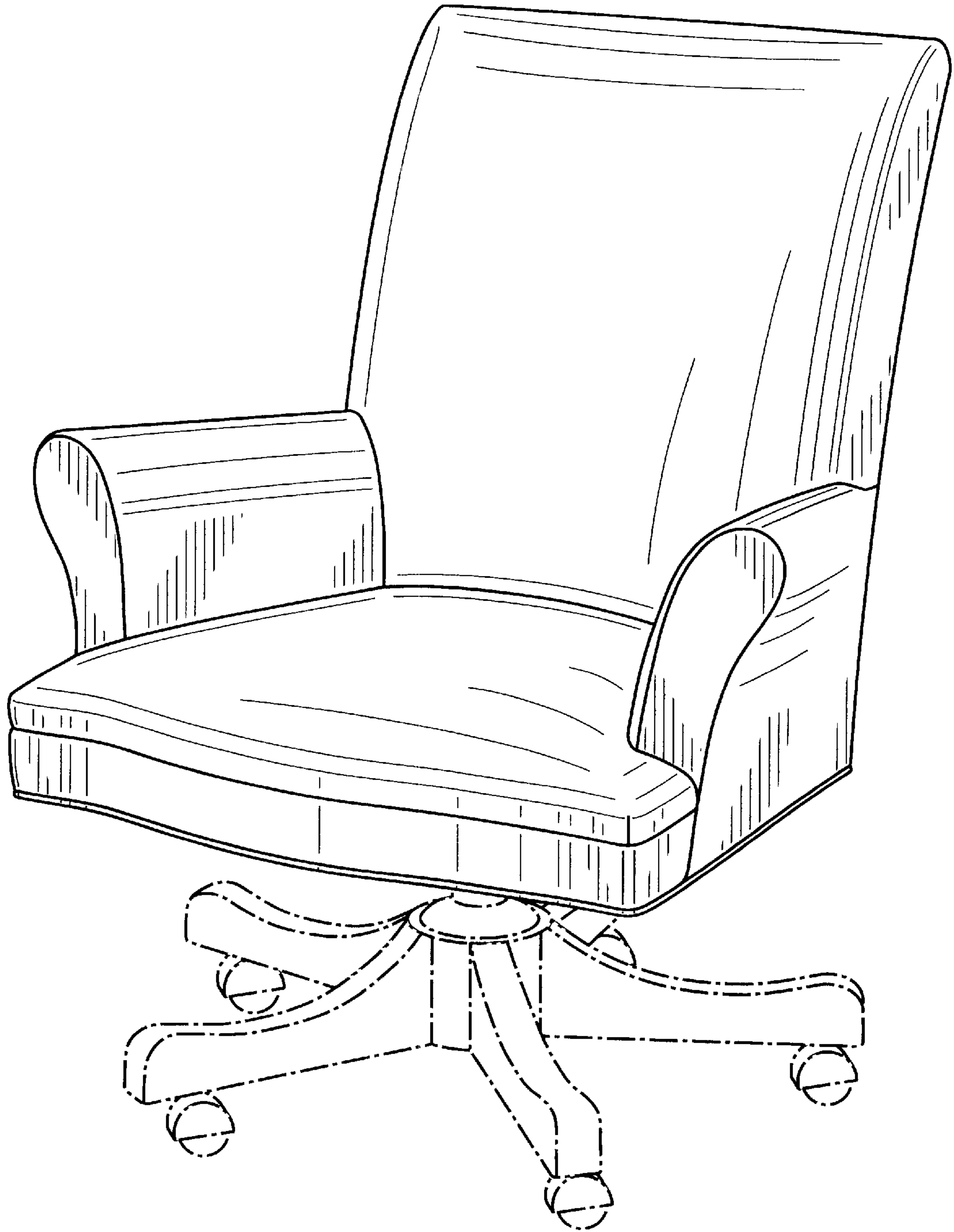
FIG. 5 is a top plan view thereof; and,

FIG. 6 is a bottom plan view thereof.

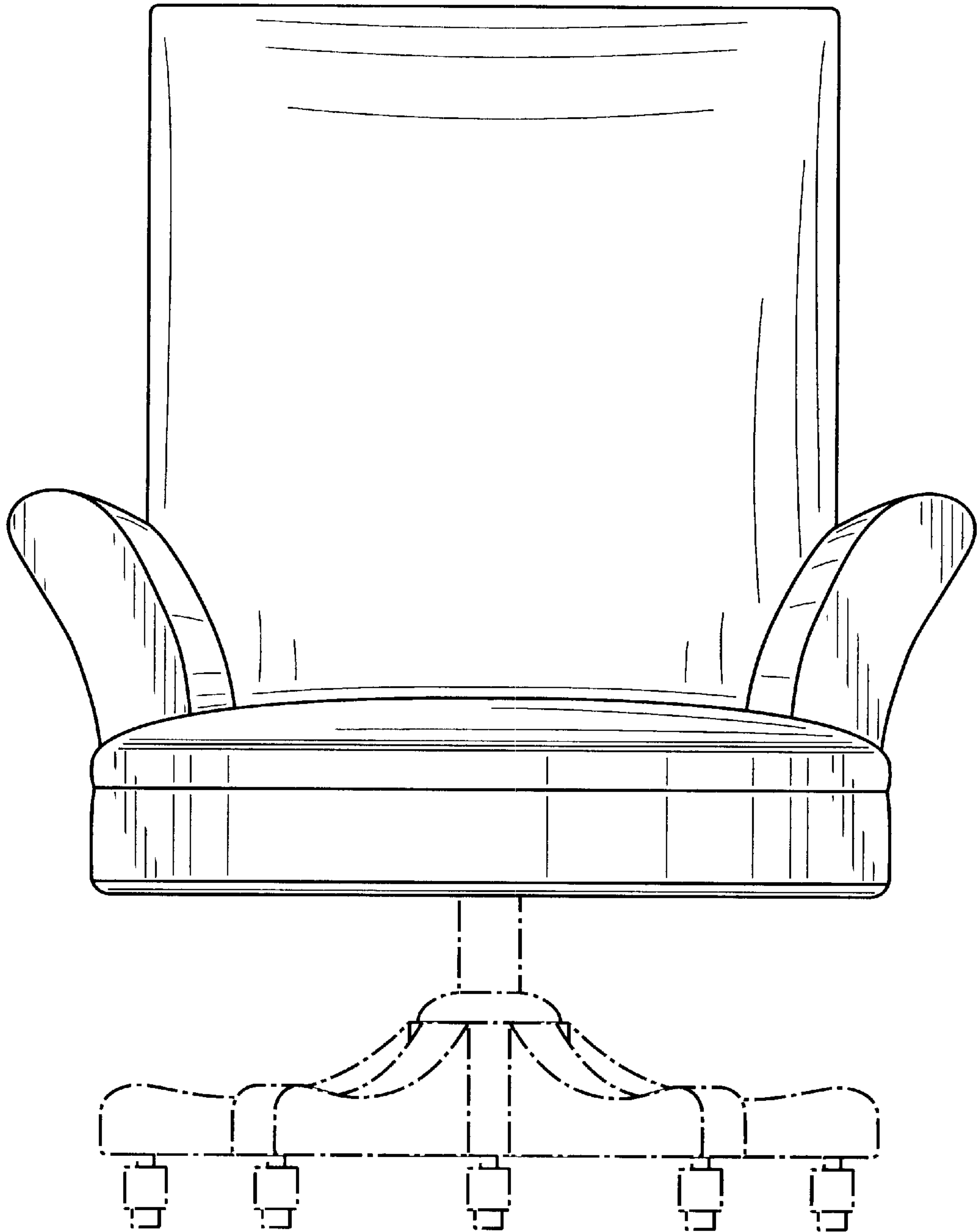
The broken line showing of the chair base in certain figures of the drawing is for illustrative purposes only and forms no part of the claimed design.

**1 Claim, 6 Drawing Sheets**

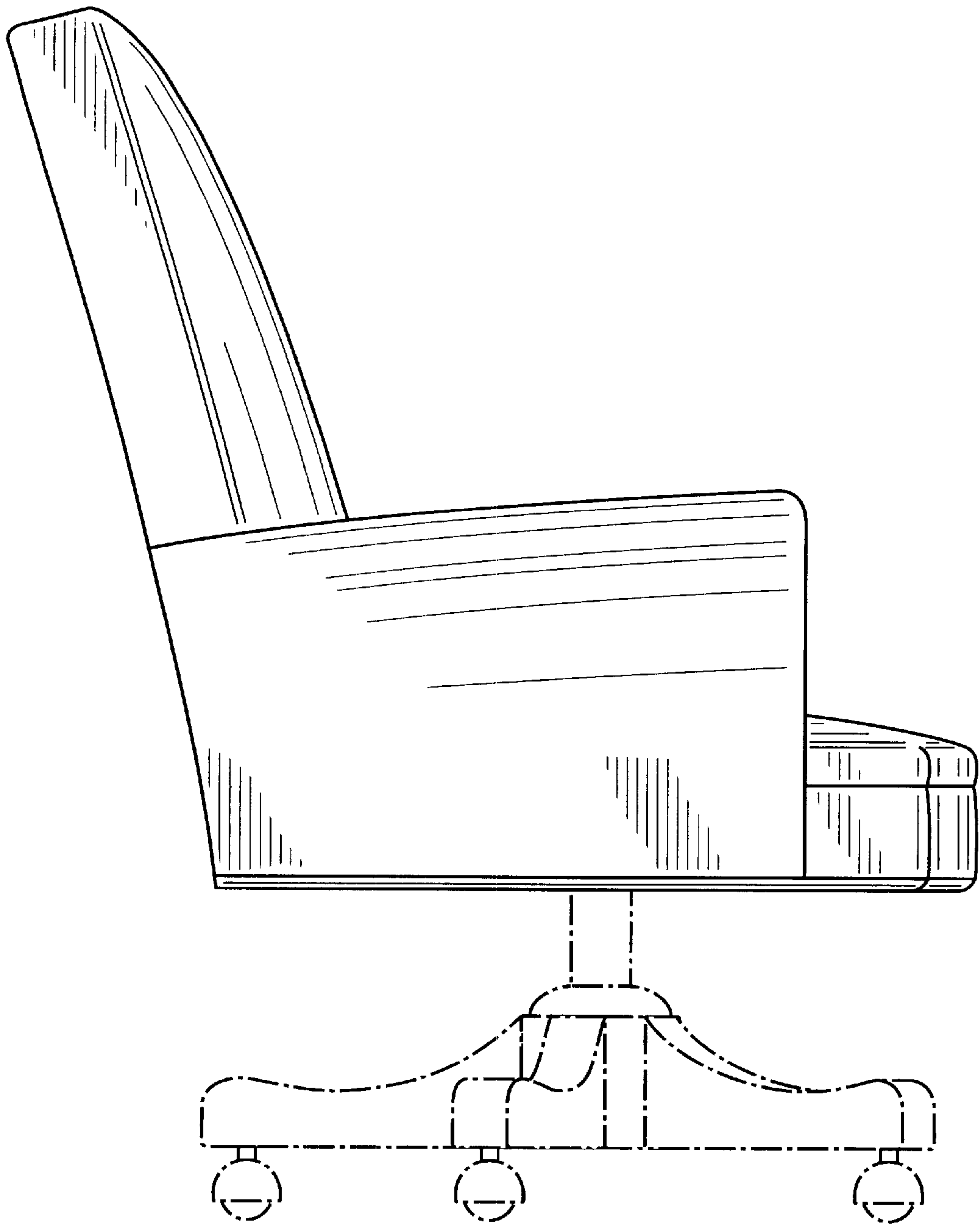




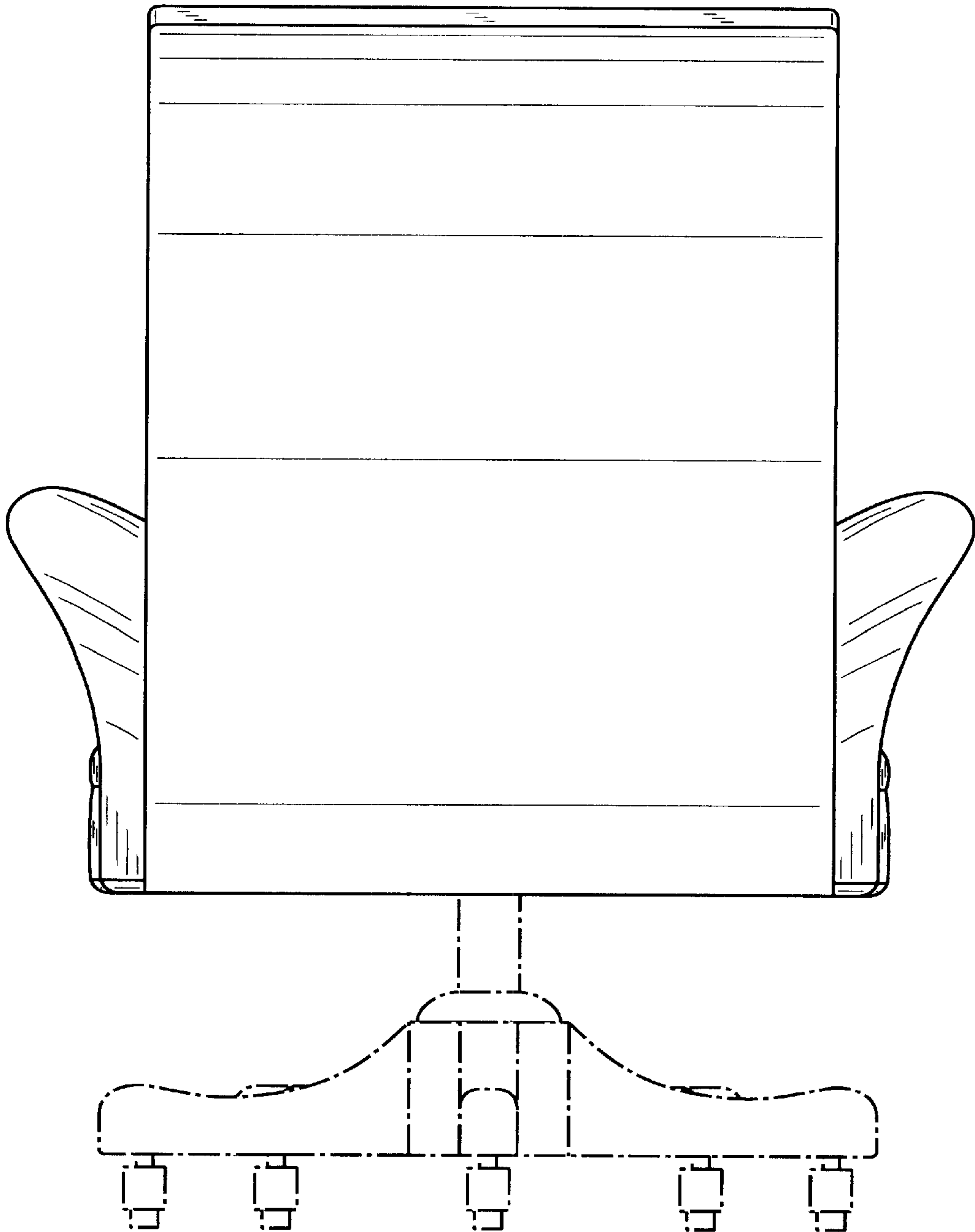
**FIG. 1**



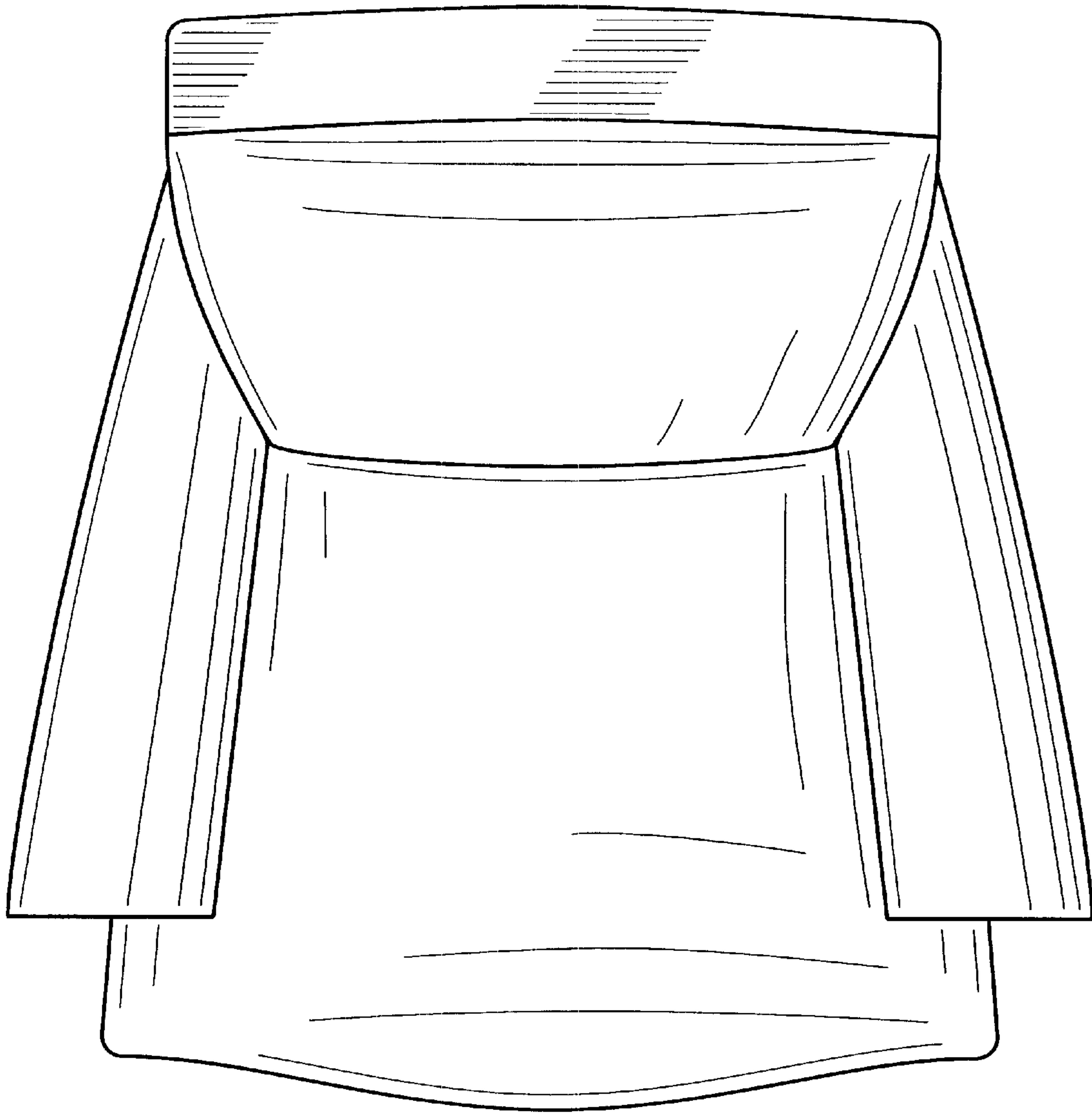
**FIG. 2**



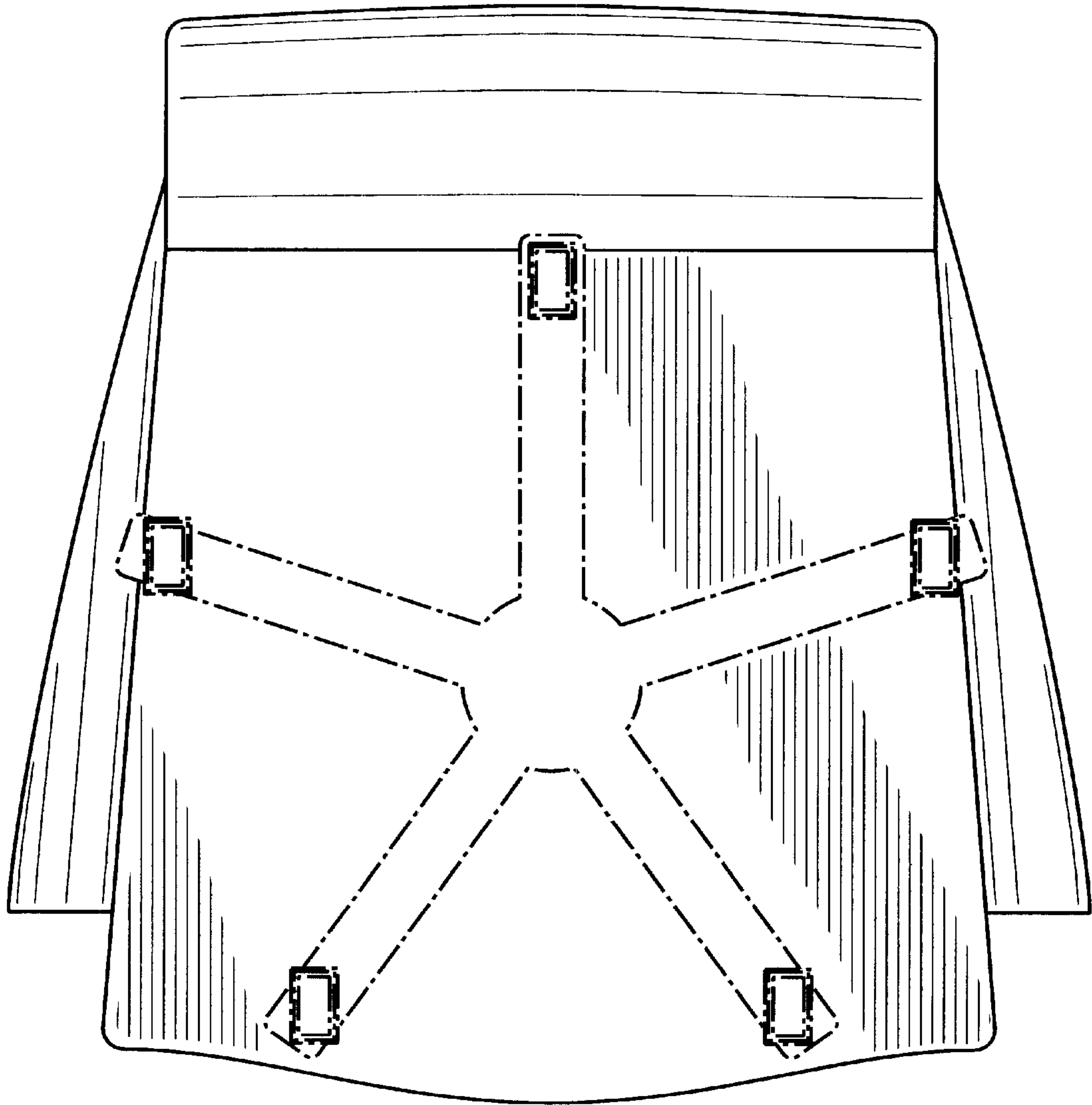
**FIG. 3**



**FIG. 4**



**FIG. 5**



**FIG. 6**