



US00D460884S

(12) **United States Design Patent**
Koepke et al.

(10) **Patent No.:** **US D460,884 S**

(45) **Date of Patent:** **** Jul. 30, 2002**

(54) **CHAIR BASE**

(75) Inventors: **Marcus C. Koepke**, Indianapolis, IN
(US); **Jay R. Machael**, Muscatine, IA
(US)

(73) Assignee: **HON Technology Inc.**, Muscatine, IA
(US)

(**) Term: **14 Years**

(21) Appl. No.: **29/143,632**

(22) Filed: **Jun. 15, 2001**

(51) **LOC (7) Cl.** **06-06**

(52) **U.S. Cl.** **D6/498; D6/366**

(58) **Field of Search** D6/334, 335, 364,
D6/365, 366, 367, 498, 500, 501, 502;
248/188, 188.1, 188.7, 188.8, 188.9; 297/411.2,
344.18, 344.19, 344.21

(56) **References Cited**

U.S. PATENT DOCUMENTS

3,286,964 A * 11/1966 McMahan, Jr. et al. . 248/188.7

D259,756 S * 7/1981 Albinson D6/498
D417,793 S * 12/1999 Ritch et al. D6/366
D437,497 S * 2/2001 Bräuning D6/366
D437,701 S * 2/2001 Bellini et al. D6/366
D446,955 S * 8/2001 Zemp D6/366

* cited by examiner

Primary Examiner—Gary D. Watson

(74) *Attorney, Agent, or Firm*—Jones, Day, Reavis & Pogue

(57) **CLAIM**

The ornamental design for a chair base, as shown and described.

DESCRIPTION

FIG. 1 is a side view of a chair base showing our new design; FIG. 2 is another side view thereof; FIG. 3 is another side view thereof; FIG. 4 is another side view thereof; and, FIG. 5 is a top view thereof.

The side views illustrate various degrees of rotation of the chair base.

1 Claim, 2 Drawing Sheets

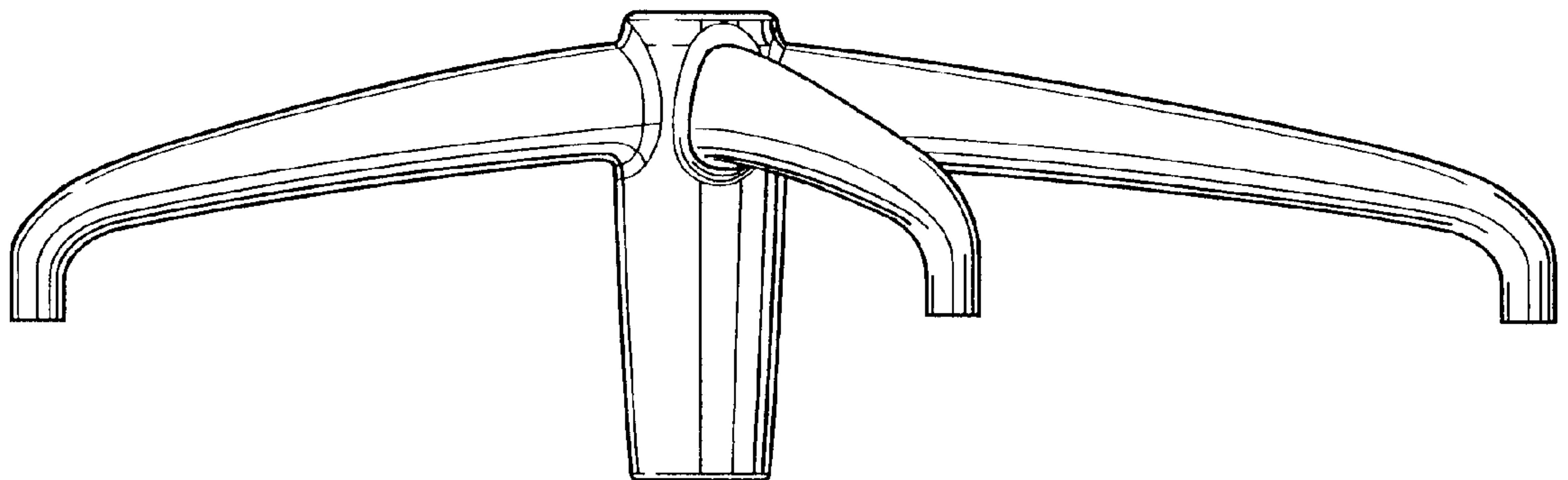


Fig. 1

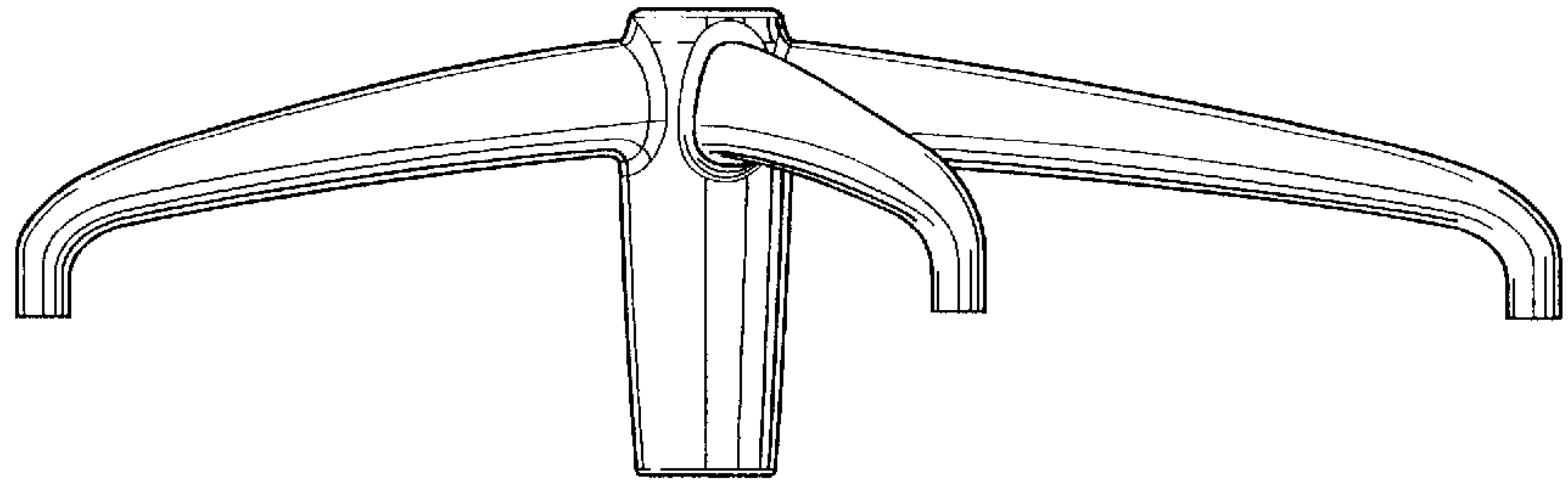


Fig. 2

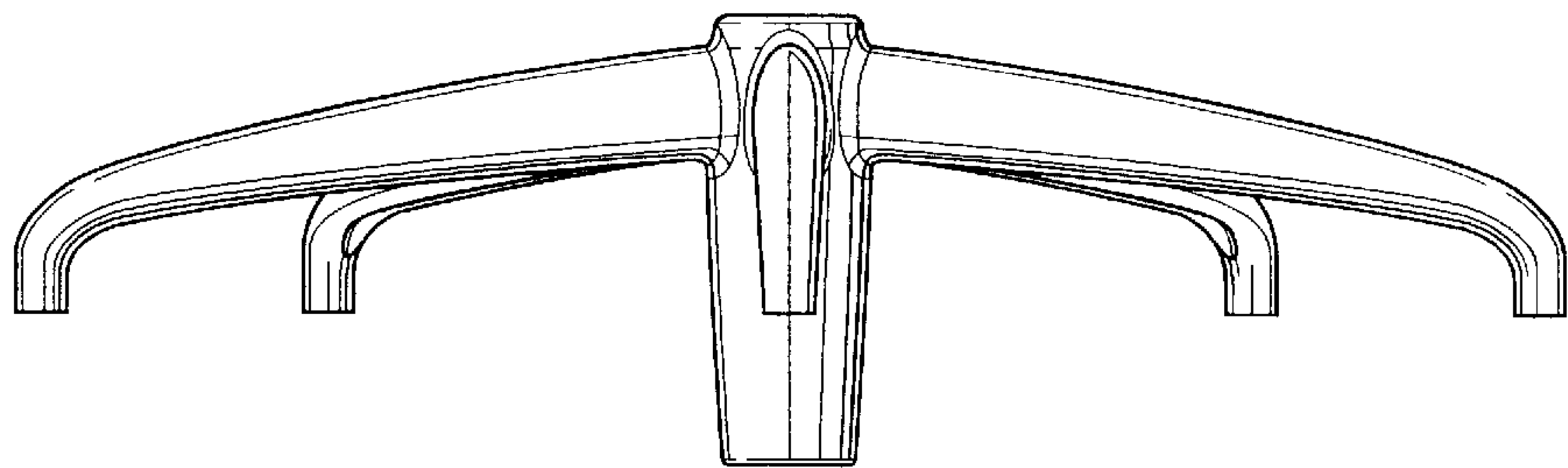


Fig. 3

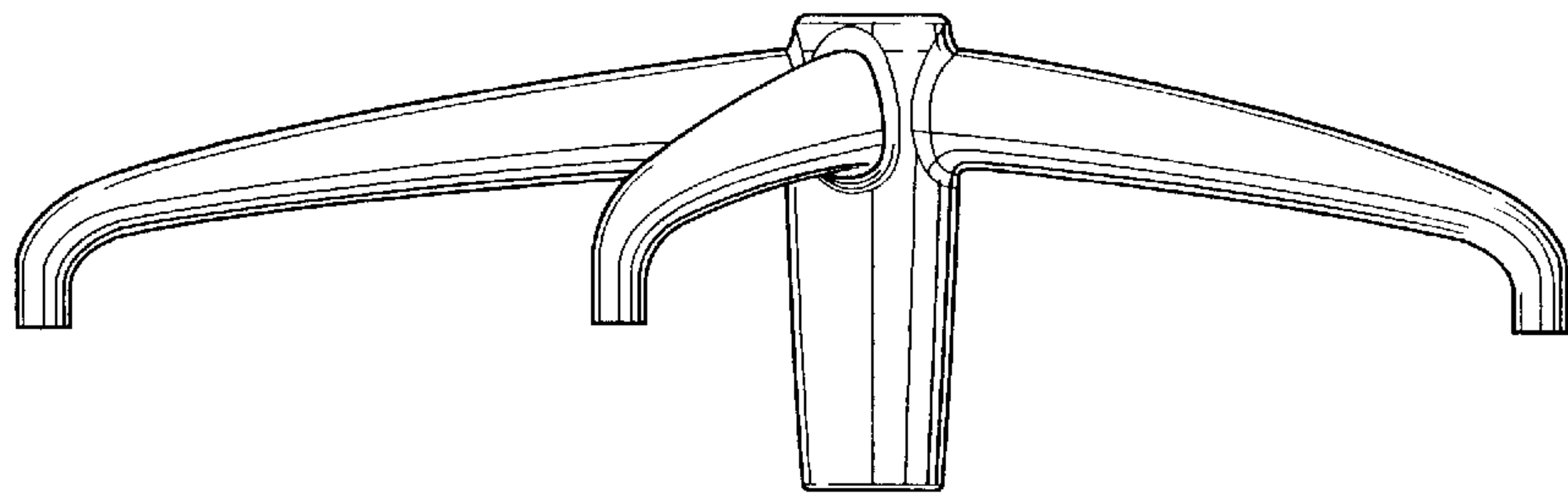


Fig. 4

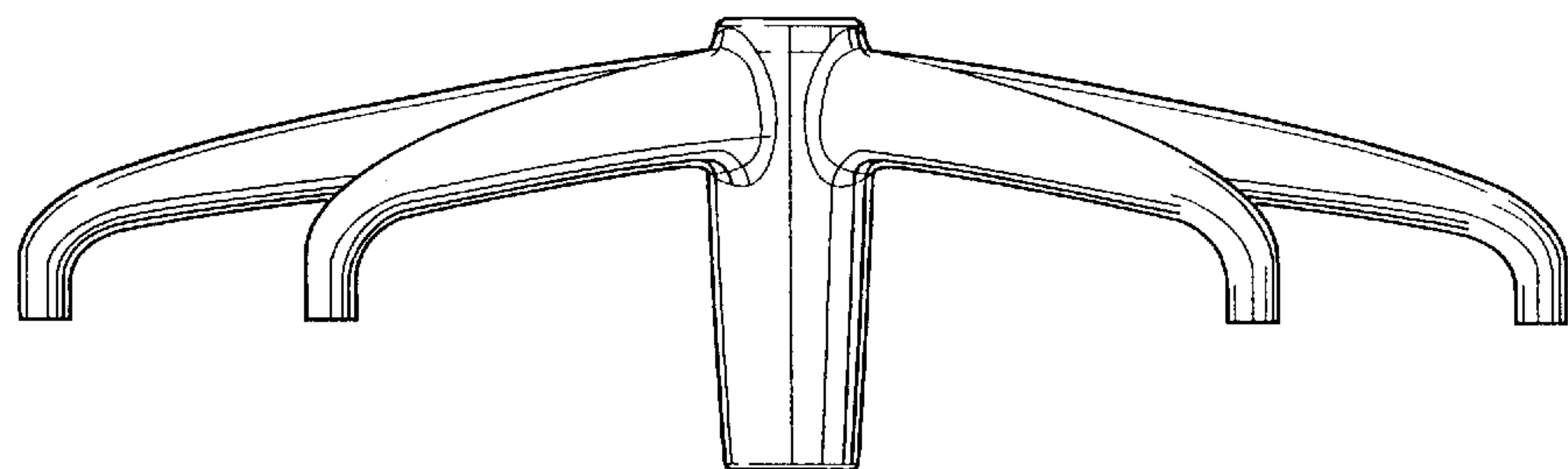


Fig. 5

